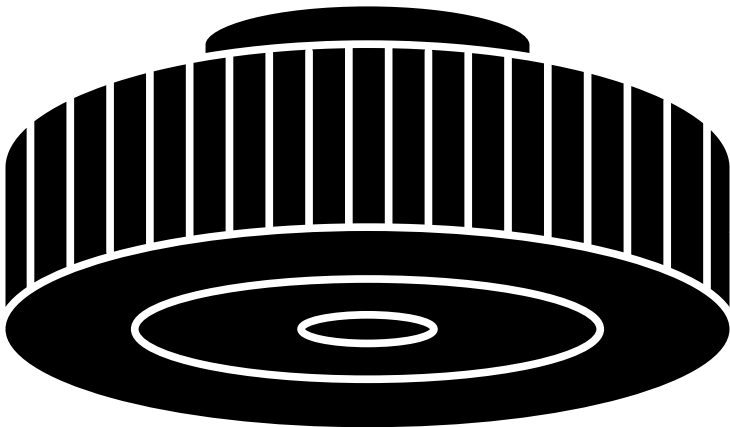


CREATE



Wind Clear Easy

User manual | Manual de instrucciones

INDEX

ENGLISH

Location and installation requirements	6
Mechanical tips	6
Electrical tips	6
Safety instructions	7
Parts list	8
Remote control	9
Installation instructions	10
Preparing for installation	10
Installing the mounting bracket	10
Panel assembly	11
Wiring Connection	11
Connection to mounting bracket	12
Check the installation	12
Connection to the app	13
How to connect to the app	13

PORTUGUÊS

Requisitos de localização e instalação	22
Dicas mecânicas	22
Dicas elétricas	22
Instruções de segurança	23
Lista de peças	24
Controle remoto	25
Instruções de instalação	26
Preparando para instalação	26
Instalando o suporte de montagem	26
Montagem do painel	27
Conexão de fiação	27
Conexão ao suporte de montagem	28
Verifique a instalação	28
Conexão a la app	29
Como se conectar ao aplicativo	29

ESPAÑOL

Requisitos de ubicación e instalación	14
Consejos mecánicos	14
Consejos eléctricos	14
Instrucciones de seguridad	15
Lista de partes	16
Mando a distancia	17
Instrucciones de instalación	18
Preparación de la instalación	18
Instalación del soporte de montaje	18
Ensamblaje del panel	19
Conexión del cableado	19
Conexión al soporte de montaje	20
Comprobar la instalación	20
Conexión a la app	21
Cómo conectarse a la app	21

FRANÇAIS

Emplacement et exigences d'installation	30
Conseils mécaniques	30
Conseils électriques	30
Consignes de sécurité	31
Liste des pièces	32
Télécommande	33
Instructions d'installation	34
Préparation de l'installation	34
Installation du support de montage	34
Assemblage du panneau	35
Connexion de câblage	35
Connexion au support de montage	36
Vérifiez l'installation	36
Connexion à l'application	37
Comment se connecter à l'application	37

INDEX

ITALIANO

Requisiti di posizione e installazione	38
Consigli del meccanico	38
Suggerimenti elettrici	38
Istruzioni di sicurezza	39
Elenco delle parti	40
Telecomando	41
Istruzioni per l'installazione	42
Preparazione all'installazione	42
Installazione della staffa di montaggio	42
Assemblaggio del pannello	43
Collegamento del cablaggio	43
Collegamento alla staffa di montaggio	44
Controllare l'installazione	44
Connessione all'app	45
Come connettersi all'app	45

NEDERLANDS

Locatie- en installatievereisten	54
Mechanische tips	54
Elektrische tips	54
Veiligheidsinstructies	55
Onderdelenlijst	56
Afstandsbediening	57
Installatie-instructies	58
Vorbereiding op installatie	58
Montagebeugel monteren	58
Montage van het paneel	59
Bedradingsverbinding	59
Aansluiting op montagebeugel	60
Controleer de installatie	60
Verbinding met de app	61
Hoe u verbinding maakt met de app	61

DEUTSCH

Standort- und Installationsanforderungen	46
Mechanische Tipps	46
Elektrische Tipps	46
Sicherheitshinweise	47
Ersatzteilliste	48
Fernbedienung	49
Installationsanleitung	50
Vorbereitung der Installation	50
Montage der Halterung	50
Montage der Platte	51
Kabelanschluss	51
Anschluss an Montagehalterung	52
Überprüfen Sie die Installation	52
Verbindung zur App	53
So stellen Sie eine Verbindung zur App her	53

POLSKI

Wymagania dotyczące lokalizacji i instalacji	62
Wskazówki mechaniczne	62
Porady elektryczne	62
Instrukcje bezpieczeństwa	63
Lista części	64
Pilot	65
Instrukcje instalacji	66
Przygotowanie do instalacji	66
Montaż uchwytu montażowego	66
Montowanie panelu	67
Podłączenie okablowania	67
Połączenie z uchwytem montażowym	68
Sprawdź instalację	68
Połączenie z aplikacją	69
Jak połączyć się z aplikacją	69

ENGLISH

Thank you for choosing our ceiling fan. Before using this appliance and to ensure its best use, please read the instructions carefully.

The safety measures listed here reduce the risk of fire, electric shock and injury when followed correctly. Keep the manual in a safe place for future reference, as well as the purchase receipt and box. If applicable, give these instructions to the future owner of the appliance.

Always follow basic safety instructions and risk prevention measures when using an electrical appliance. The manufacturer shall not be liable for any damage resulting from the user's failure to comply with these instructions.

LOCATION AND INSTALLATION REQUIREMENTS

MECHANICAL TIPS

- Make sure the chosen location does not allow the rotating blades to come into contact with any objects.
- Check that the ceiling joists are secure and large and strong enough to support the weight of the fan.
- To reduce the risk of fire, electric shock, or personal injury, ensure that the fan mounting bracket is attached directly to the building structure. Do not mount in a distribution box.
- The mounting bracket must be securely bolted to a supporting structure such as a concrete ceiling, steel structure, or wood frame. If a wooden frame is added, it should be nailed or screwed securely between two joists.
- To reduce the risk of personal injury and property damage, do not bend or damage the downrod or fan blades when handling or installing the fan. If you notice any damage to the product, please contact our after-sales service before proceeding to install the fan.
- Make sure the fan is securely attached to the ceiling. All fixing screws should be checked and re-tightened whenever necessary before starting the fan.

ELECTRICAL TIPS

- Turn off the power before performing any work on the ceiling fan and turn off the power supply circuit breaker. To avoid possible electrical shock, make sure the power is off at the fuse box or circuit breaker panel before proceeding with wiring.
- The fan, mounting bracket and lighting equipment must be connected to a grounded outlet. Check that all joints are well insulated.
- Check and confirm that all connections are correct and secure. Once all electrical connections have been made, store all cables neatly.
- Do not attempt to control this fan from a wall switch or remote control that is not approved by the manufacturer for use with the fan. Do not use a solid state driver. Using a non-approved wall switch or remote control will void the warranty.
- Do not connect the ceiling fan to a dimmer switch.

SAFETY INSTRUCTIONS

When using any electrical appliance, the following basic safety precautions should always be observed.

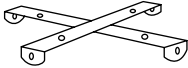
- To reduce the risk of personal injury, attach the fan directly to the building's supporting structure following these instructions and use only the hardware provided.
- To avoid possible electrical shock, before installing your fan, disconnect power by turning off the power switches at the electrical panel and associated wall switches. If it is not possible to turn off the power switches, use a warning device such as a tag on the electrical panel.
- All wiring must meet specifications set forth in local and national electrical codes and ANSI/NFPA 70. If you are not familiar with electrical installations, contact a qualified electrician.
- Do not bend the blade coupling system while installing, tilting or cleaning the blades.
- Do not insert other objects between the fan blades.
- To reduce the risk of fire, electric shock, or motor damage, do not use a solid-state speed controller with this fan. Use only original cruise control regulators.
- This appliance can be used by children aged 8 years and above and persons with reduced physical, sensory or mental capabilities, or lack of experience or limited knowledge, provided that they are supervised by a person responsible for their safety or have been trained to use the appliance in a safe way.
- Children should not play with this appliance. They should also not perform cleaning and maintenance tasks unless they are over 8 years old and supervised. Close supervision is necessary when children use any appliance.

NOTE: The instructions and safety precautions in this manual may not cover all possible problems and situations. You must understand that both common sense and caution are essential for the installation and use of the fan.

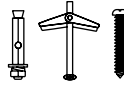
PARTS LIST

Carefully open the packaging and remove the parts included inside. Place them on the floor on a mat or piece of plastic large enough to prevent any damage.

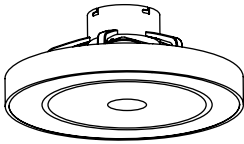
Check that the items listed below are inside the packaging.



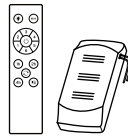
Mounting
bracket



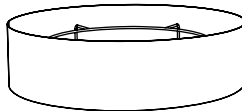
Screws



Main body



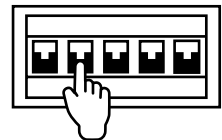
Remote control
& driver



Lamp panel

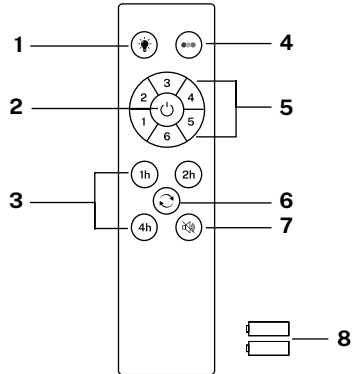


ATTENTION! Before beginning assembly, remember to disconnect the power supply from the electrical panel to avoid electric shock.



REMOTE CONTROL

1. Light
2. ON/OFF button
3. Timer
4. Color temperature control
5. Fan intensity control
6. Reverse function
7. Sound off button
8. Batteries (2 x AAA)



Controller pairing

1. Turn off the main light switch in the room where you have installed your fan for at least 10 seconds.
2. Turn the switch on and you will hear a beep, within 3 seconds, press and hold the on/off button until you hear a beep.
3. If the pairing process is unsuccessful, repeat the above steps again after turning off the wall switch for at least 1 minute.

LIGHT

Turn the fan light on and off, regardless whether the fan is running or not.

COLOR TEMPERATURE

Alternates between the three types of available light color temperatures (warm, neutral and cool).

ON OFF

Turn the fan on or off completely, regardless whether the light is on or not.

FAN INTENSITY

Increases or decreases the rotation speed of the fan blades.

TIMER

Schedule automatic shutdown by choosing from the available options.

REVERSE FUNCTION

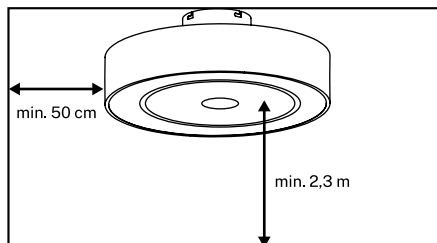
Changes the direction of rotation of the blades fan. The winter function (turn to the right) pushes the hot air accumulated in the ceiling downwards and the summer function (turn to the left) generates a breeze that cools the environment.

DISABLE SOUND

By pressing the sound off button you can silence the sounds that the fan makes when you press any key on the remote control.

INSTALLATION INSTRUCTIONS

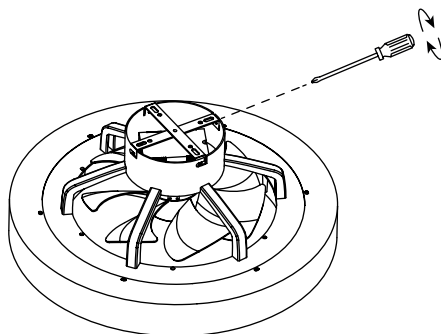
PREPARING FOR INSTALLATION



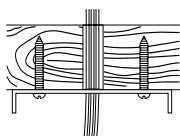
- To avoid personal injury and ensure good airflow, make sure that the location where you are going to hang the fan allows the product to be at least 2.3 metres above the floor and 50 cm from the nearest wall or obstacle. Ensure that the mounting bracket is properly secured to the building structure and can support the entire weight of the fan.

INSTALLING THE MOUNTING BRACKET

- Unscrew the mounting bracket from the main body of the fan.

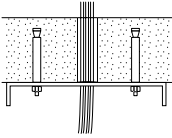


- Make sure the ceiling where you want to mount the fan is stable and able to safely support the weight of the fan.
- Do not fix the mounting bracket directly to ceilings less than 10mm to avoid the risk of the screw loosening and coming out.
- Mark the correct position of the holes and secure the mounting bracket using the screws with metal anchors or screws and washers appropriate to the type of ceiling chosen.



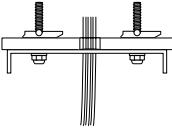
Wooden roof

Drill the necessary holes and then secure the mounting bracket with the wood screws and washers to the ceiling joints.



Concrete ceiling

Drill holes with an 8mm drill bit, according to the length of the expansion screws. Next, secure the mounting bracket to the ceiling with the expansion screws.



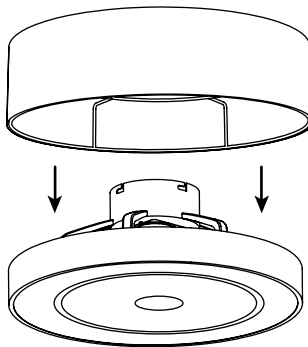
False ceiling

Drill the necessary holes and then secure the mounting bracket with the special spring-loaded fixing screws for use in false ceilings.

- Once the mounting bracket is installed, verify proper installation before hanging the fan. The mounting bracket must support the entire weight of the fan.

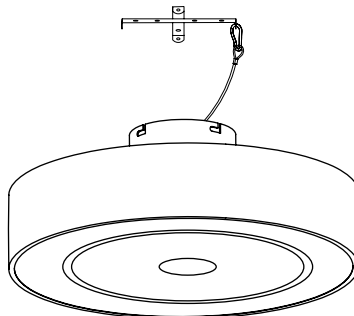
PANEL ASSEMBLY

Insert the lamp panel into the top of the main body. Ensure that it is correctly inserted and that the bottom parts are level.

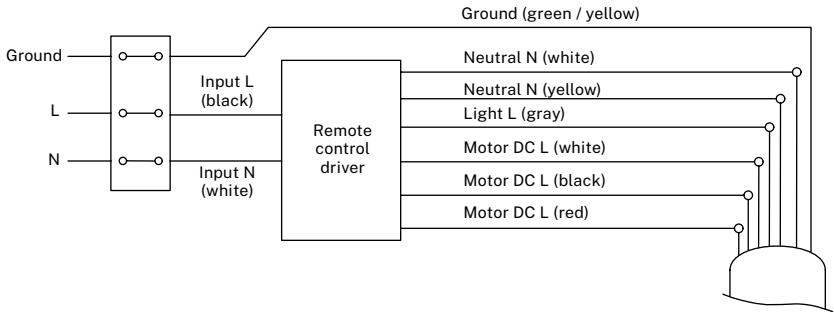


WIRING CONNECTION

Before connecting the wiring, secure the fan to the mounting bracket using the carabiner and steel cable, as shown below.

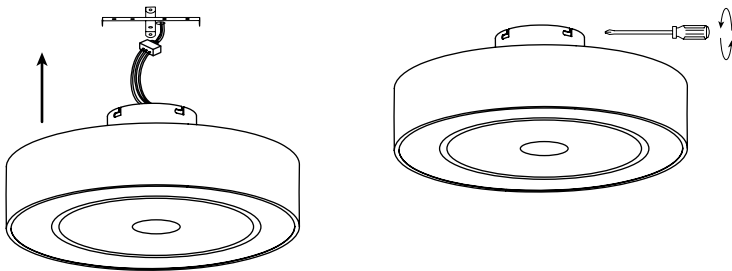


Make the connection between the receiver wires and the fan motor wires following the color indications. Make sure the connection is secure.



CONNECTION TO MOUNTING BRACKET

Using a screwdriver, screw the fan to the mounting bracket. Once done, you will have the fan installed.



CHECK THE INSTALLATION

- Check that the ceiling fan is working properly, checking that no strange movement or misalignment is observed in any part of the fan.

CONNECTION TO THE APP

** Only for models with Wi-Fi*



- The CREATE HOME app is available for both Android and iOS (search for the app on Google Play or App Store or scan the QR code). Depending on the provider, there may be costs involved in downloading the app.
- With the app you can operate the device via your home network. A prerequisite is a permanent wifi connection to your 2.4 Gh router and the free CREATE HOME app. (Internet providers currently offer both 5Gh and 2.4Gh simultaneously.)
- We recommend disconnecting the device from the power supply when you are away from home to avoid unintentional switching on while you are away.

HOW TO CONNECT TO THE APP

1. Install the CREATE app and create a user account.
2. Set a login password and log in to the app.
3. Click “Add Device” (+) and then click the category for the ceiling fan.



- You can also select the “Scan QR” option to add the device directly.
4. On the remote control, press and hold the 1H and 4H buttons for about 5 seconds until you hear a beep.
 5. Next, click “Confirm”.
 6. Enter your Wi-Fi network password and confirm.
 7. While connecting, make sure your router, mobile phone and device are as close as possible. Finally, the ceiling fan will be successfully added to your CREATE application.



In compliance with Directives: 2012/19/EU and 2015/863/EU on the restriction of the use of dangerous substances in electric and electronic equipment as well as their waste disposal. The symbol with the crossed dustbin shown on the package indicates that the product at the end of its service life shall be collected as separate waste. Therefore, any products that have reached the end of their useful life must be given to waste disposal centres specialising in separate collection of waste electrical and electronic equipment, or given back to the retailer at the time of purchasing new similar equipment, on a one for one basis. The adequate separate collection for the subsequent start-up of the equipment sent to be recycled, treated and disposed of in an environmentally compatible way contributes to preventing possible negative effects on the environment and health and optimises the recycling and reuse of components making up the apparatus. Abusive disposal of the product by the user involves application of the administrative sanctions according to the laws.

Gracias por elegir nuestro ventilador de techo. Antes de utilizar este electrodoméstico y para asegurar su mejor uso, por favor, lea detenidamente las instrucciones.

Las medidas de seguridad aquí indicadas reducen el riesgo de incendio, descarga eléctrica y lesiones cuando se siguen correctamente. Guarde el manual en un lugar seguro para futuras referencias, así como el recibo de compra y la caja. Si procede, entregue estas instrucciones al futuro propietario del electrodoméstico.

Siempre siga las instrucciones básicas de seguridad y las medidas de prevención de riesgos cuando utilice un electrodoméstico eléctrico. El fabricante no se responsabilizará de ningún daño derivado del incumplimiento de estas instrucciones por parte del usuario.

REQUISITOS DE UBICACIÓN E INSTALACIÓN

CONSEJOS MECÁNICOS

- Asegúrese de que la ubicación elegida no permita que las aspas giratorias entren en contacto con ningún objeto.
- Compruebe que las vigas del techo sean seguras y lo suficientemente grandes y fuertes como para soportar el peso del ventilador.
- Para reducir el riesgo de incendio, descarga eléctrica o lesión corporal, compruebe que el soporte de montaje del ventilador esté fijado directamente a la estructura del edificio. No lo monte en una caja de distribución.
- El soporte de montaje debe estar bien atornillado a una estructura portante, como un techo de hormigón, una estructura de acero o un marco de madera. Si se añade un marco de madera, este debe clavarse o atornillarse de forma segura entre dos vigas.
- Para reducir el riesgo de daños corporales y materiales, no doble ni dañe la varilla vertical o las aspas del ventilador al manipularlo o instalarlo. Si detecta algún deterioro en el producto, contacte con nuestro servicio posventa antes de proceder a la instalación del ventilador.
- Asegúrese de que el ventilador esté bien sujeto al techo. Todos los tornillos de fijación deben revisarse y volverse a apretar siempre que sea necesario antes de poner en marcha el ventilador.

CONSEJOS ELÉCTRICOS

- Corte la electricidad antes de realizar cualquier tarea en el ventilador de techo y apague el disyuntor de alimentación de la electricidad. Para evitar posibles descargas eléctricas, compruebe que la electricidad esté cortada en la caja de fusibles o el panel de disyuntores antes de proceder al cableado.
- El ventilador, el soporte de montaje y el equipo de iluminación deben conectarse a una toma de tierra. Compruebe que todos los empalmes estén bien aislados.
- Compruebe y confirme que todas las conexiones sean correctas y seguras. Una vez realizadas todas las conexiones eléctricas, guarde bien todos los cables.
- No trate de controlar este ventilador desde un interruptor de pared o un mando a distancia que no estén homologados por el fabricante para su uso con el ventilador. No use un controlador de estado sólido. El uso de un interruptor de pared o de un mando a distancia no homologados anulará la garantía.
- No conecte el ventilador de techo a un regulador de intensidad.

INSTRUCCIONES DE SEGURIDAD

Al utilizar cualquier aparato eléctrico, deben observarse siempre las siguientes precauciones básicas de seguridad.

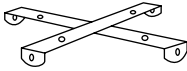
- Para reducir el riesgo de sufrir cualquier daño personal, acople el ventilador directamente a la estructura de soporte del edificio siguiendo estas instrucciones y utilice únicamente el material proporcionado.
- Para evitar posibles descargas eléctricas, antes de instalar su ventilador, desconecte la corriente apagando los interruptores de potencia del cuadro eléctrico y los interruptores de pared asociados. Si no es posible apagar los interruptores de potencia, utilice un dispositivo de advertencia como una etiqueta en el cuadro eléctrico.
- Todos los cables deben cumplir las especificaciones establecidas según los códigos eléctricos locales y nacionales y ANSI/NFPA 70. Si no está familiarizado con las instalaciones eléctricas, acuda a un electricista cualificado.
- No doble el sistema de acoplamiento de las aspas mientras las instala, las inclina o las limpia.
- No inserte otros objetos entre las aspas del ventilador.
- Para reducir el riesgo de incendio, descarga eléctrica o daño en el motor, no utilice un regulador de velocidad de estado sólido con este ventilador. Utilice únicamente los reguladores de velocidad originales.
- Este electrodoméstico puede ser utilizado por niños de 8 años en adelante y personas con capacidades físicas, sensoriales o mentales reducidas, o con falta de experiencia o conocimientos limitados, siempre que estén supervisados por una persona responsable de su seguridad o que haya sido formada para usar el aparato de forma segura.
- Los niños no deben jugar con este aparato. Tampoco deben realizar tareas de limpieza y mantenimiento a menos que sean mayores de 8 años y estén supervisados. Es necesario supervisar a los niños de cerca cuando utilicen cualquier electrodoméstico.

NOTA: Las instrucciones y precauciones de seguridad que aparecen en este manual pueden no abarcar todos los problemas y situaciones posibles. Debe entender que tanto el sentido común como la precaución son esenciales para la instalación y el uso del ventilador.

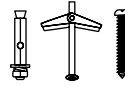
LISTA DE PARTES

Abra con cuidado el embalaje y retire las piezas que se incluyen en su interior. Colóquelas en el suelo sobre una alfombra o un trozo de plástico lo suficientemente grande para evitar cualquier daño.

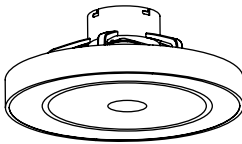
Compruebe que los objetos que se detallan a continuación se encuentran en el interior del embalaje.



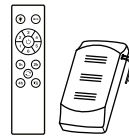
Soporte de montaje



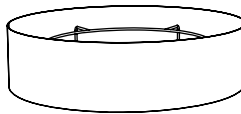
Tornillería



Cuerpo principal



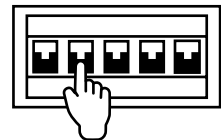
Mando y receptor



Panel de la lámpara

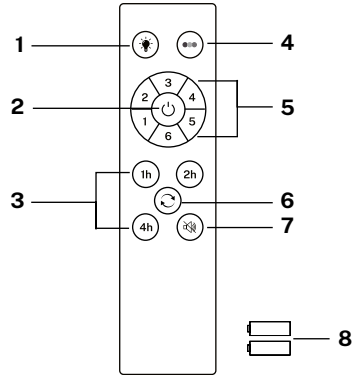


¡ATENCIÓN! Antes de comenzar el montaje recuerde desconectar la luz del cuadro eléctrico para no sufrir una descarga eléctrica.



MANDO A DISTANCIA

1. Luz
2. Botón ON / OFF
3. Temporizador
4. Control temperatura de color
5. Control de intensidad del ventilador
6. Función reverse
7. Botón desactivar sonido
8. Pilas (2 x AAA)



Emparejamiento del mando

1. Apague el interruptor principal de la luz de la estancia donde ha instalado su ventilador durante al menos 10 segundos.
2. Encienda el interruptor y oirá un pitido, antes de que transcurran 3 segundos, mantenga pulsado el botón de on/off hasta que escuche un pitido.
3. Si el proceso de emparejamiento no tiene éxito, repita de nuevo los pasos anteriores después de apagar el interruptor de pared durante al menos 1 minuto.

LUZ

Enciende y apaga la luz del ventilador, independientemente de si el ventilador está en marcha o no.

TEMPERATURA DE COLOR

Alterna entre los tres tipos de temperatura de color de la luz disponibles (cálida, neutra y fría).

ENCENDIDO/APAGADO

Enciende o apaga el ventilador por completo, independientemente de si tiene la luz encendida o no.

INTENSIDAD DEL VENTILADOR

Aumenta o disminuye la velocidad de giro de las aspas del ventilador.

TEMPORIZADOR

Programa el apagado automático eligiendo entre las opciones disponibles.

FUNCIÓN REVERSE

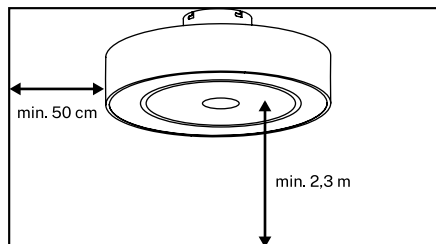
Cambia la dirección de giro de las aspas del ventilador. La función invierno (giro hacia la derecha) impulsa el aire caliente acumulado en el techo hacia abajo y la función verano (giro hacia la izquierda) genera una brisa que refresca el ambiente.

DESACTIVAR SONIDO

Pulsando el botón de desactivar sonido podrá silenciar los sonidos que emite el ventilador cuando se presiona cualquier tecla del mando.

INSTRUCCIONES DE INSTALACIÓN

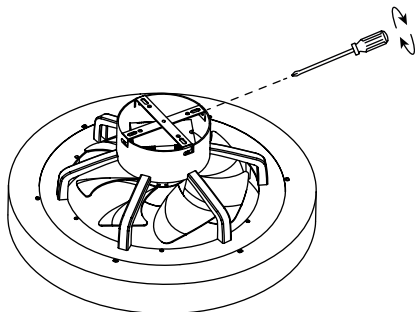
PREPARACIÓN DE LA INSTALACIÓN



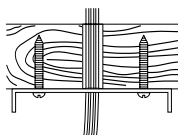
- Para evitar daños personales y conseguir un buen flujo de aire, asegúrese de que el lugar donde va a colgar el ventilador permite que el producto esté a una distancia igual o superior a 2,3 m del suelo y 50 cm de la pared u obstáculo más cercano.
- Asegúrese de que el soporte de montaje está sujetado de manera adecuada a la estructura del edificio y que puede aguantar todo el peso del ventilador.

INSTALACIÓN DEL SOPORTE DE MONTAJE

- Desatornille el soporte de montaje del cuerpo principal del ventilador.

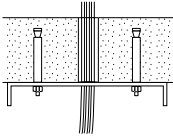


- Compruebe que el techo donde desea montar el ventilador es estable y capaz de soportar con seguridad el peso del ventilador.
- No fije el soporte de montaje directamente en techos de menos de 10 mm para evitar el riesgo de que el tornillo se afloje y se salga.
- Marque la posición correcta de los agujeros y fije el soporte de montaje utilizando los tornillos con anclaje metálico o tornillos y arandelas adecuados al tipo de techo elegido.



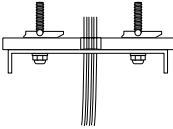
Techo de madera

Realice los agujeros necesarios y después fije el soporte de montaje con los tornillos y las arandelas para madera en las uniones del techo.



Techo de hormigón

Realice orificios con una broca de 8 mm, de acuerdo con la longitud de los tornillos de expansión. Seguidamente, fije el soporte de montaje al techo con los tornillos de expansión.



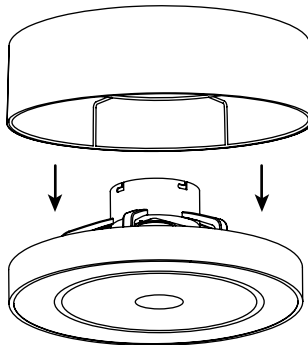
Falso techo

Realice los agujeros necesarios y después fije el soporte de montaje con los tornillos de fijación con palanca de resorte especiales para utilizar en falso techo.

- Una vez instalado el soporte de montaje, verifique su correcta instalación antes de colgar el ventilador. El soporte de montaje debe de soportar todo el peso del ventilador.

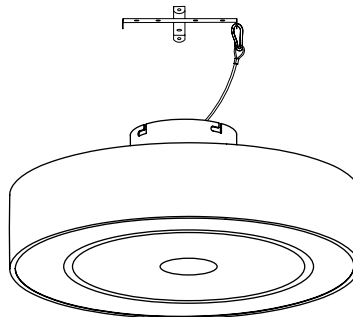
ENSAMBLAJE DEL PANEL

Introduzca el panel de la lámpara por la parte superior del cuerpo principal. Asegúrese de que quede correctamente insertado y de que las partes inferiores queden al mismo nivel.

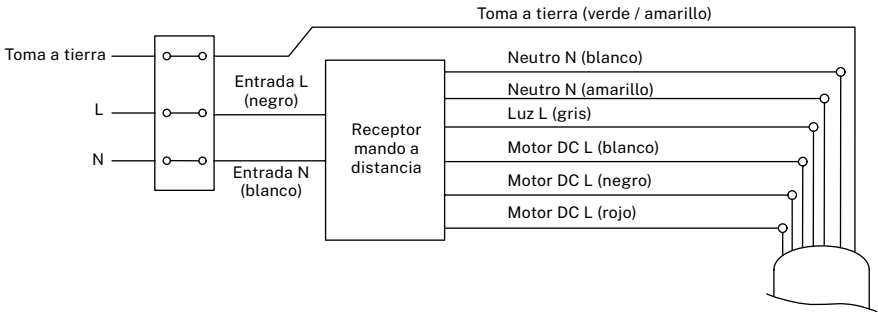


CONEXIÓN DEL CABLEADO

Antes de realizar la conexión del cableado, sujete el ventilador al soporte de montaje utilizando el mosquetón y el cable de acero, tal como se muestra a continuación.

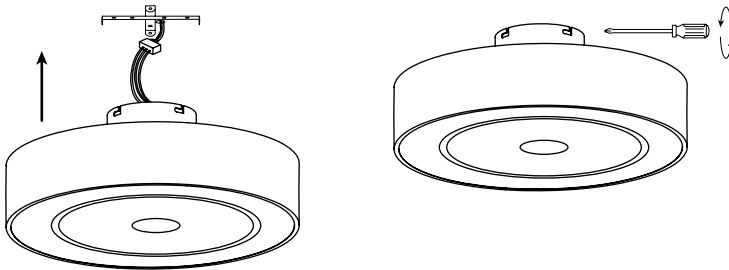


Realice la conexión entre los cables del receptor y los cables del techo. Asegúrese de que la conexión sea segura.



CONEXIÓN AL SOPORTE DE MONTAJE

Con la ayuda de un destornillador, atornille el ventilador al soporte de montaje. Una vez realizado, ya tendrá el ventilador instalado.



COMPROBAR LA INSTALACIÓN

- Compruebe el correcto funcionamiento del ventilador de techo, revisando que no se observe algún movimiento extraño o desajuste en alguna pieza del ventilador.

CONEXIÓN A LA APP

* Solo para los modelos con wifi



- La aplicación CREATE HOME está disponible tanto para Android como para iOS (busque la aplicación en Google Play o App Store o escanee el código QR). Dependiendo del proveedor, puede haber costos involucrados en la descarga de la aplicación.
- Con la aplicación podrá manejar el dispositivo a través de su red doméstica. Un requisito previo es una conexión wifi permanente a su router de 2.4 Gh y la aplicación gratuita CREATE HOME. (Los proveedores de internet actualmente ofrecen tanto 5Gh como 2.4Gh simultáneamente)

- Recomendamos desconectar el aparato de la fuente de alimentación cuando esté fuera de casa para evitar un encendido involuntario mientras está fuera.

CÓMO CONECTARSE A LA APP

1. Instale la app CREATE y cree una cuenta de usuario.
2. Configure una contraseña de inicio de sesión e inicie sesión en la aplicación.
3. Haga clic en “Agregar dispositivo” (+) y luego en la categoría correspondiente al ventilador de techo.



- Si lo desea también puede seleccionar la opción “Escanear QR” para agregar el dispositivo directamente.

4. En el mando a distancia, mantenga pulsado los botones 1H y 4H durante unos 5 segundos hasta que se oiga un pitido.
5. Seguidamente, haga clic en “Confirmar”.
6. Introduzca su contraseña de red wifi y confirme.
7. Mientras se conecta, asegúrese de que su router, teléfono móvil y dispositivo estén lo más cerca posible. Finalmente, el ventilador de techo se agregará con éxito a su aplicación CREATE.



En cumplimiento de las directivas: 2012/19 / UE y 2015/863 / UE sobre la restricción del uso de sustancias peligrosas en equipos eléctricos y electrónicos, así como su eliminación de residuos. El símbolo con el cubo de basura cruzado que se muestra en el paquete indica que el producto al final de su vida útil se recogerá como residuo separado. Por lo tanto, cualquier producto que haya llegado al final de su vida útil debe entregarse a centros de eliminación de residuos especializados en la recogida selectiva de equipos eléctricos y electrónicos de desecho, o devolverse al minorista al momento de comprar equipos nuevos similares, en uno para Una base. La recolección separada adecuada para la posterior puesta en marcha de los equipos enviados para ser reciclados, tratados y eliminados de una manera compatible con el medio ambiente contribuye a prevenir posibles efectos negativos sobre el medio ambiente y la salud y optimiza el reciclaje y la reutilización de los componentes que componen el aparato. La eliminación abusiva del producto por parte del usuario implica la aplicación de las sanciones administrativas de acuerdo con las leyes.

Obrigado por escolher nosso ventilador de teto. Antes de utilizar este aparelho e para garantir seu melhor uso, leia atentamente as instruções.

As medidas de segurança listadas aqui reduzem o risco de incêndio, choque elétrico e ferimentos quando seguidas corretamente. Guarde o manual em local seguro para referência futura, assim como o recibo de compra e a caixa. Se aplicável, forneça estas instruções ao futuro proprietário do aparelho.

Siga sempre as instruções básicas de segurança e as medidas de prevenção de riscos ao usar um aparelho elétrico. O fabricante não será responsável por quaisquer danos resultantes do não cumprimento destas instruções pelo usuário.

REQUISITOS DE LOCALIZAÇÃO E INSTALAÇÃO

DICAS MECÂNICAS

- Certifique-se de que o local escolhido não permita que as lâminas rotativas entrem em contato com nenhum objeto.
- Verifique se as vigas do teto estão seguras e são grandes e fortes o suficiente para suportar o peso do ventilador.
- Para reduzir o risco de incêndio, choque elétrico ou ferimentos pessoais, certifique-se de que o suporte de montagem do ventilador esteja fixado diretamente na estrutura do edifício. Não monte em uma caixa de distribuição.
- O suporte de montagem deve ser firmemente aparafusado a uma estrutura de suporte, como um teto de concreto, estrutura de aço ou moldura de madeira. Se uma estrutura de madeira for adicionada, ela deverá ser pregada ou parafusada firmemente entre duas vigas.
- Para reduzir o risco de ferimentos pessoais e danos materiais, não dobre ou danifique a haste descendente ou as pás do ventilador ao manusear ou instalar o ventilador. Caso note algum dano no produto, entre em contato com nosso serviço de pós-venda antes de prosseguir com a instalação do ventilador.
- Certifique-se de que o ventilador esteja firmemente preso ao teto. Todos os parafusos de fixação devem ser verificados e reapertados sempre que necessário antes de ligar o ventilador.

DICAS ELÉTRICAS

- Desligue a energia antes de realizar qualquer trabalho no ventilador de teto e desligue o disjuntor de alimentação. Para evitar possíveis choques elétricos, certifique-se de que a energia esteja desligada na caixa de fusíveis ou no painel do disjuntor antes de prosseguir com a fiação.
- O ventilador, o suporte de montagem e o equipamento de iluminação devem ser conectados a uma tomada aterrada. Verifique se todas as juntas estão bem isoladas.
- Verifique e confirme se todas as conexões estão corretas e seguras. Depois que todas as conexões elétricas forem feitas, guarde todos os cabos cuidadosamente.
- Não tente controlar este ventilador usando um interruptor de parede ou controle remoto que não seja aprovado pelo fabricante para uso com o ventilador. Não utilize um driver de estado sólido. Usar um interruptor de parede ou controle remoto não aprovado anulará a garantia.
- Não conecte o ventilador de teto a um interruptor dimmer.

INSTRUÇÕES DE SEGURANÇA

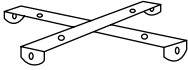
Ao usar qualquer aparelho elétrico, as seguintes precauções básicas de segurança devem sempre ser observadas.

- Para reduzir o risco de ferimentos pessoais, fixe o ventilador diretamente na estrutura de suporte do edifício seguindo estas instruções e use apenas o hardware fornecido.
- Para evitar possíveis choques elétricos, antes de instalar o ventilador, desconecte a energia desligando os interruptores de energia no painel elétrico e os interruptores de parede associados. Se não for possível desligar os interruptores de energia, use um dispositivo de advertência, como uma etiqueta no painel elétrico.
- Toda a fiação deve atender às especificações estabelecidas nos códigos elétricos locais e nacionais e na ANSI/NFPA 70. Se você não estiver familiarizado com instalações elétricas, entre em contato com um eletricista qualificado.
- Não dobre o sistema de acoplamento das lâminas durante a instalação, inclinação ou limpeza das lâminas.
- Não insira outros objetos entre as pás do ventilador.
- Para reduzir o risco de incêndio, choque elétrico ou danos ao motor, não use um controlador de velocidade de estado sólido com este ventilador. Utilize somente reguladores de controle de cruzeiro originais.
- Este aparelho pode ser usado por crianças com 8 anos ou mais e por pessoas com capacidades físicas, sensoriais ou mentais reduzidas, ou com falta de experiência ou conhecimento limitado, desde que sejam supervisionadas por uma pessoa responsável pela sua segurança ou tenham sido treinadas para usar o aparelho de forma segura.
- Crianças não devem brincar com este aparelho. Eles também não devem realizar tarefas de limpeza e manutenção, a menos que tenham mais de 8 anos de idade e estejam supervisionados. É necessária supervisão rigorosa quando crianças usam qualquer aparelho.

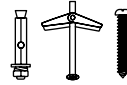
OBSERVAÇÃO: As instruções e precauções de segurança neste manual podem não abranger todos os problemas e situações possíveis. Você deve entender que tanto o bom senso quanto a cautela são essenciais para a instalação e uso do ventilador.

LISTA DE PEÇAS

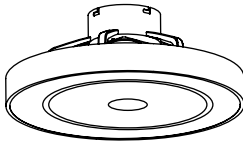
Abra cuidadosamente a embalagem e retire as peças incluídas no interior. Coloque-os no chão sobre um tapete ou pedaço de plástico grande o suficiente para evitar qualquer dano. Verifique se os itens listados abaixo estão dentro da embalagem.



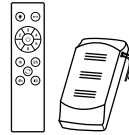
Suporte de montagem



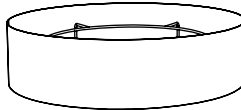
Parafusos



Corpo principal



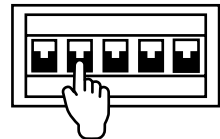
Controle remoto e receptor



Painel da lâmpada

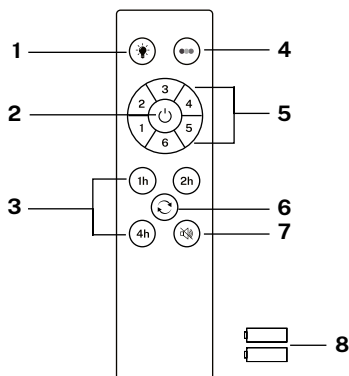


ATENÇÃO! Antes de iniciar a montagem, lembre-se de desligar a luz do quadro elétrico para evitar choques elétricos.



CONTROLE REMOTO

1. Luz
2. Botão ligar / desligar
3. Cronômetro
4. Controle de temperatura de cor
5. Controle de intensidade do ventilador
6. Função reversa
7. Botão de desligar som
8. Pilhas (2 x AAA)



Emparelhamento do controlador

1. Desligue o interruptor de luz principal da divisão onde instalou a ventoinha durante, pelo menos, 10 segundos.
2. Ligue o interruptor e ouvirá um sinal sonoro; no espaço de 3 segundos, prima e mantenha premido o botão de ligar/desligar até ouvir um sinal sonoro.
3. Se o processo de emparelhamento não for bem sucedido, repita os passos acima novamente depois de desligar o interruptor de parede durante, pelo menos, 1 minuto.

LUZ

Ligue e desligue a luz do ventilador, sem considerar se o ventilador está funcionando ou não.

TEMPERATURA DE COR

Alterna entre os três tipos de temperaturas de cores claras disponíveis (quente, neutra e fria).

ON OFF

Ligue ou desligue o ventilador completamente, sem considerar se a luz está acesa ou não.

INTENSIDADE DO VENTILADOR

Aumenta ou diminui a velocidade de rotação das pás do ventilador.

CRONÔMETRO

Agende o desligamento automático escolhendo uma das opções disponíveis.

FUNÇÃO REVERSA

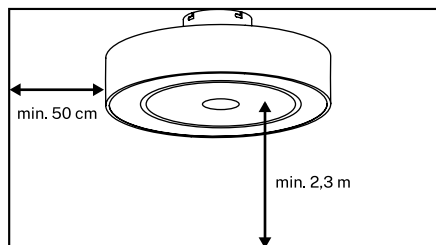
Muda o sentido de rotação das lâminas fã. A função inverno (girar para a direita) empurra para baixo o ar quente acumulado no teto e a função verão (girar para a esquerda) gera uma brisa que resfria o ambiente.

DESATIVAR SOM

Ao pressionar o botão de desligar o som você pode silenciar os sons que o ventilador emite quando você pressiona qualquer tecla do controle remoto.

INSTRUÇÕES DE INSTALAÇÃO

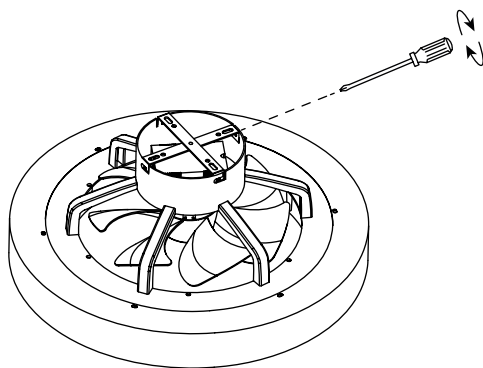
PREPARANDO PARA INSTALAÇÃO



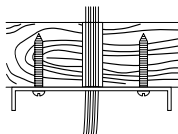
- Para evitar danos pessoais e obter um bom fluxo de ar, certifique-se de que o local onde vai pendurar o ventilador permite que o produto fique a uma distância igual ou superior a 2,3 m do chão e 50 cm da parede ou obstáculo mais próximo.
- Certifique-se de que o suporte de montagem está devidamente fixado à estrutura do edifício e que pode suportar todo o peso do ventilador.

INSTALANDO O SUPORTE DE MONTAGEM

- Desparafuse o suporte de montagem do corpo principal do ventilador.

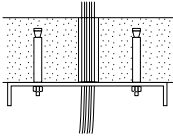


- Certifique-se de que o teto onde você deseja montar o ventilador seja estável e capaz de suportar com segurança o peso do ventilador.
- Não fixe o suporte de montagem diretamente em tetos com menos de 10 mm de altura para evitar o risco do parafuso se soltar e sair.
- Marque a posição correta dos furos e fixe o suporte de montagem utilizando os parafusos com buchas metálicas ou parafusos e arruelas apropriados para o tipo de teto escolhido.



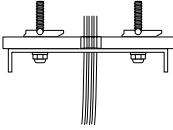
Telhado de madeira

Faça os furos necessários e então fixe o suporte de montagem com os parafusos de madeira e arruelas nas juntas do teto.



Teto de concreto

Faça furos com uma broca de 8 mm, de acordo com o comprimento dos parafusos de expansão. Em seguida, fixe o suporte de montagem no teto com os parafusos de expansão.



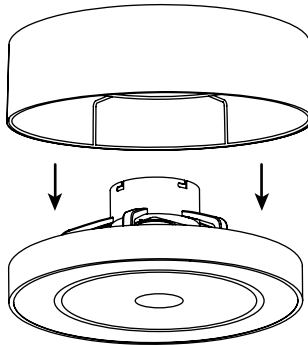
Teto falso

Faça os furos necessários e então fixe o suporte de montagem com os parafusos de fixação especiais com mola para uso em tetos falsos.

- Depois que o suporte de montagem estiver instalado, verifique se a instalação está correta antes de pendurar o ventilador. O suporte de montagem deve suportar todo o peso do ventilador.

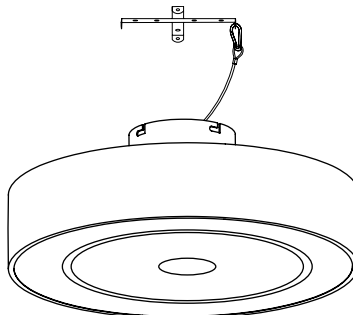
MONTAGEM DO PAINEL

Insira o painel da lâmpada pela parte superior do corpo principal. Certifique-se de que está corretamente inserido e que as partes inferiores ficam ao mesmo nível.

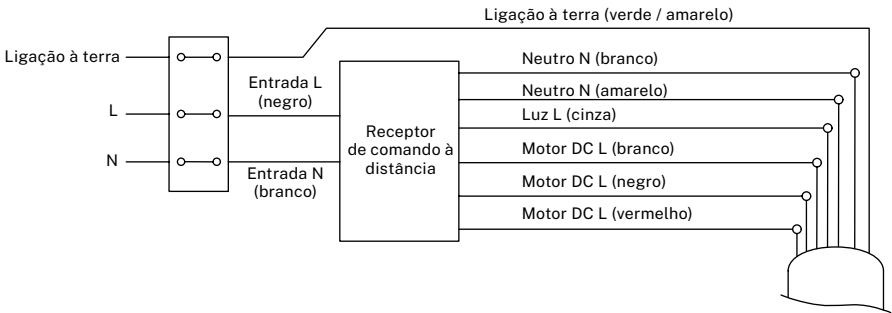


CONEXÃO DE FIAÇÃO

Antes de realizar a ligação da cablagem, fixe o ventilador ao suporte de montagem utilizando o mosquetão e o cabo de aço, conforme ilustrado abaixo.

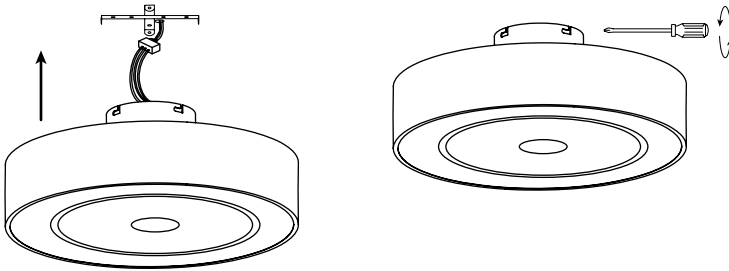


Faça a conexão entre os fios do receptor e os fios do motor do ventilador seguindo as indicações de cores. Certifique-se de que a conexão seja segura.



CONEXÃO AO SUPORTE DE MONTAGEM

Usando uma chave de fenda, parafuse o ventilador no suporte de montagem. Uma vez feito isso, você terá o ventilador instalado.



VERIFIQUE A INSTALAÇÃO

- Verifique se o ventilador de teto está funcionando corretamente, verificando se não há nenhum movimento estranho ou desalinhamento em nenhuma parte do ventilador.

CONEXIÓN A LA APP

* Solo para los modelos con wifi



- A aplicação CREATE HOME está disponível para Android e iOS (procure a aplicação no Google Play ou na App Store ou leia o código QR). Dependendo do fornecedor, pode haver custos envolvidos no descarregamento da aplicação.
- Com a aplicação, pode operar o dispositivo através da sua rede doméstica. Um pré-requisito é uma ligação Wi-Fi permanente ao roteador 2,4 Gh e a aplicação gratuita CREATE HOME. (Os provedores de Internet oferecem atualmente 5Gh e 2,4Gh simultaneamente).

- Recomendamos que desligue o dispositivo da fonte de alimentação quando estiver fora de casa para evitar uma ligação involuntária durante a sua ausência.

COMO SE CONECTAR AO APLICATIVO

1. Instale o aplicativo CREATE e crie uma conta de usuário.
2. Defina uma senha de login e faça login no aplicativo.
3. Clique em “Adicionar dispositivo” (+) e a seguir clique na categoria do ventilador de teto.



- Também pode seleccionar a opção “Scan QR” para adicionar o dispositivo diretamente.

4. No controle remoto, pressione e segure os botões 1H e 4H por cerca de 5 segundos até ouvir um bipe.
5. Em seguida, clique em “Confirmar”.
6. Digite a senha da sua rede Wi-Fi e confirme.
7. Ao conectar, certifique-se de que seu roteador, celular e dispositivo estejam o mais próximos possível. Finalmente, o ventilador de teto será adicionado com sucesso ao seu aplicativo CREATE.



Em conformidade com as diretrizes: 2012/19 / UE e 2015/863 / UE sobre a restrição do uso de substâncias perigosas em equipamentos elétricos e eletrônicos, bem como a eliminação de resíduos. O símbolo com o caixote do lixo cruzado mostrado na embalagem indica que o produto ao final de sua vida útil será coletado como lixo separado. Portanto, qualquer produto que tenha atingido o fim de sua vida útil deve ser entregue a centros especializados de eliminação de resíduos para coleta seletiva de equipamentos elétricos e eletrônicos, ou devolvido ao varejista ao comprar equipamentos novos similares, em um para uma base. A coleta seletiva apropriada para o comissionamento subsequente do equipamento enviado para reciclagem, tratamento e descarte de maneira ecológica ajuda a evitar possíveis efeitos negativos no meio ambiente e na saúde e otimiza a reciclagem e reutilização de os componentes que compõem o dispositivo. . A eliminação abusiva do produto pelo usuário implica a aplicação de sanções administrativas de acordo com as leis.

Merci d'avoir choisi notre ventilateur de plafond. Avant d'utiliser cet appareil et afin de garantir son utilisation optimale, veuillez lire attentivement les instructions.

Les mesures de sécurité énumérées ici réduisent le risque d'incendie, de choc électrique et de blessures lorsqu'elles sont correctement suivies. Conservez le manuel dans un endroit sûr pour référence ultérieure, ainsi que le reçu d'achat et la boîte. Le cas échéant, remettez ces instructions au futur propriétaire de l'appareil.

Respectez toujours les consignes de sécurité de base et les mesures de prévention des risques lors de l'utilisation d'un appareil électrique. Le fabricant ne pourra être tenu responsable de tout dommage résultant du non-respect de ces instructions par l'utilisateur.

EMPLACEMENT ET EXIGENCES D'INSTALLATION

CONSEILS MÉCANIQUES

- Assurez-vous que l'emplacement choisi ne permet pas aux lames rotatives d'entrer en contact avec des objets.
- Vérifiez que les solives du plafond sont bien fixées, suffisamment larges et solides pour supporter le poids du ventilateur.
- Pour réduire le risque d'incendie, de choc électrique ou de blessure corporelle, assurez-vous que le support de montage du ventilateur est fixé directement à la structure du bâtiment. Ne pas monter dans une boîte de distribution.
- Le support de montage doit être solidement boulonné à une structure de support telle qu'un plafond en béton, une structure en acier ou un cadre en bois. Si un cadre en bois est ajouté, il doit être cloué ou vissé solidement entre deux solives.
- Pour réduire le risque de blessures corporelles et de dommages matériels, ne pliez pas et n'endommagez pas la tige de suspension ou les pales du ventilateur lors de la manipulation ou de l'installation du ventilateur. Si vous constatez des dommages sur le produit, veuillez contacter notre service après-vente avant de procéder à l'installation du ventilateur.
- Assurez-vous que le ventilateur est solidement fixé au plafond. Toutes les vis de fixation doivent être vérifiées et resserrées chaque fois que nécessaire avant de démarrer le ventilateur.

CONSEILS ÉLECTRIQUES

- Coupez l'alimentation électrique avant d'effectuer tout travail sur le ventilateur de plafond et coupez le disjoncteur d'alimentation. Pour éviter tout risque d'électrocution, assurez-vous que l'alimentation est coupée au niveau du boîtier à fusibles ou du panneau de disjoncteurs avant de procéder au câblage.
- Le ventilateur, le support de montage et l'équipement d'éclairage doivent être connectés à une prise de terre. Vérifiez que tous les joints sont bien isolés.
- Vérifiez et confirmez que toutes les connexions sont correctes et sécurisées. Une fois toutes les connexions électriques effectuées, rangez soigneusement tous les câbles.
- N'essayez pas de contrôler ce ventilateur à partir d'un interrupteur mural ou d'une télécommande qui n'est pas approuvé par le fabricant pour une utilisation avec le ventilateur. N'utilisez pas de pilote SSD. L'utilisation d'un interrupteur mural ou d'une télécommande non approuvé annulera la garantie.
- Ne connectez pas le ventilateur de plafond à un variateur.

CONSIGNES DE SÉCURITÉ

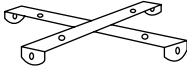
Lors de l'utilisation d'un appareil électrique, les précautions de sécurité de base suivantes doivent toujours être respectées.

- Pour réduire le risque de blessures corporelles, fixez le ventilateur directement à la structure de support du bâtiment en suivant ces instructions et utilisez uniquement le matériel fourni.
- Pour éviter tout risque d'électrocution, avant d'installer votre ventilateur, débranchez l'alimentation en éteignant les interrupteurs d'alimentation du panneau électrique et les interrupteurs muraux associés. S'il n'est pas possible de couper l'alimentation électrique, utilisez un dispositif d'avertissement tel qu'une étiquette sur le panneau électrique.
- Tout le câblage doit être conforme aux spécifications énoncées dans les codes électriques locaux et nationaux et dans la norme ANSI/NFPA 70. Si vous n'êtes pas familier avec les installations électriques, contactez un électricien qualifié.
- Ne pliez pas le système d'accouplement des lames lors de l'installation, de l'inclinaison ou du nettoyage des lames.
- N'insérez pas d'autres objets entre les pales du ventilateur.
- Pour réduire le risque d'incendie, de choc électrique ou de dommages au moteur, n'utilisez pas de contrôleur de vitesse à semi-conducteurs avec ce ventilateur. Utilisez uniquement les régulateurs de vitesse d'origine.
- Cet appareil peut être utilisé par des enfants âgés de 8 ans et plus et par des personnes ayant des capacités physiques, sensorielles ou mentales réduites, ou manquant d'expérience ou de connaissances limitées, à condition qu'ils soient surveillés par une personne responsable de leur sécurité ou qu'ils aient été formés à utiliser l'appareil de manière sûre.
- Les enfants ne doivent pas jouer avec cet appareil. Ils ne doivent pas non plus effectuer de tâches de nettoyage et d'entretien à moins d'avoir plus de 8 ans et d'être supervisés. Une surveillance étroite est nécessaire lorsque les enfants utilisent un appareil.

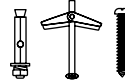
NOTE: Les instructions et précautions de sécurité contenues dans ce manuel peuvent ne pas couvrir tous les problèmes et situations possibles. Vous devez comprendre que le bon sens et la prudence sont essentiels pour l'installation et l'utilisation du ventilateur.

LISTE DES PIÈCES

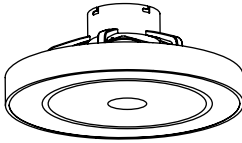
Ouvrez soigneusement l'emballage et retirez les pièces incluses à l'intérieur. Placez-les sur le sol sur un tapis ou un morceau de plastique suffisamment grand pour éviter tout dommage. Vérifiez que les éléments énumérés ci-dessous sont à l'intérieur de l'emballage.



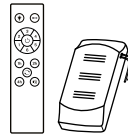
Support de montage



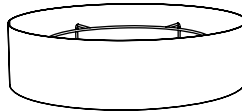
Vis



Corps principal



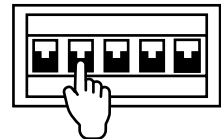
Télécommande et récepteur



Panneau de lampe

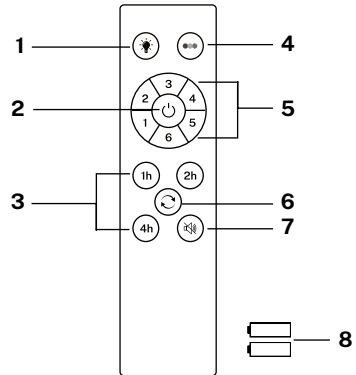


ATTENTION ! Avant de commencer le montage, n'oubliez pas de couper le courant au tableau électrique afin d'éviter tout risque d'électrocution.



TÉLÉCOMMANDE

1. Lumière
2. Bouton marche/arrêt
3. Minuteur
4. Contrôle de la température de couleur
5. Contrôle de l'intensité du ventilateur
6. Fonction inverse
7. Bouton de désactivation du son
8. Piles (2 x AAA)



Appairage du contrôleur

1. Éteignez l'interrupteur principal de la pièce où vous avez installé votre ventilateur pendant au moins 10 secondes.
2. Allumez l'interrupteur et vous entendrez un bip, dans les 3 secondes qui suivent, appuyez sur le bouton marche/arrêt et maintenez-le enfoncé jusqu'à ce que vous entendiez un bip.
3. Si le processus d'appairage n'aboutit pas, répétez les étapes ci-dessus après avoir éteint l'interrupteur mural pendant au moins 1 minute.

LUMIÈRE

Allumez et éteignez la lumière du ventilateur, indépendamment de si le ventilateur tourne ou non.

TEMPÉRATURE DE COULEUR

Alterne entre les trois types de températures de couleur de lumière disponibles (chaud, neutre et froid).

ALLUMÉ ÉTEINT

Allumez ou éteignez complètement le ventilateur, indépendamment de si la lumière est allumée ou non.

INTENSITÉ DU VENTILATEUR

Augmente ou diminue la vitesse de rotation des pales du ventilateur.

MINUTEUR

Planifiez l'arrêt automatique en choisissant parmi les options disponibles.

FONCTION INVERSE

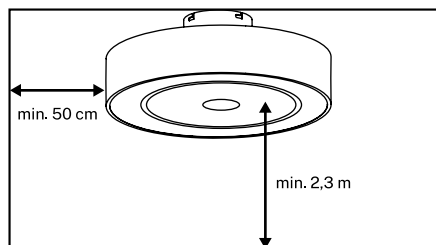
Change le sens de rotation des pales du ventilateur. La fonction hiver (tourner à droite) pousse l'air chaud accumulé dans le plafond vers le bas et la fonction été (tourner à gauche) génère une brise qui rafraîchit l'environnement.

DÉSACTIVER LE SON

En appuyant sur le bouton de désactivation du son, vous pouvez faire taire les sons émis par le ventilateur lorsque vous appuyez sur n'importe quelle touche de la télécommande.

INSTRUCTIONS D'INSTALLATION

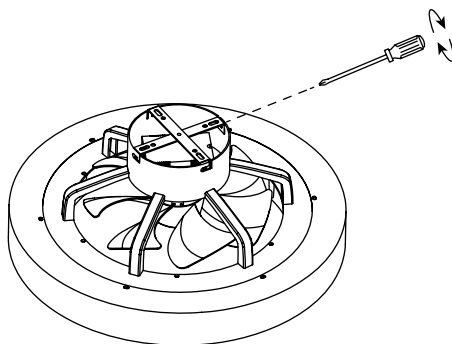
PRÉPARATION DE L'INSTALLATION



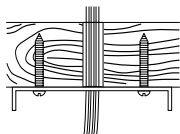
- Pour éviter tout risque de blessure et garantir une bonne circulation de l'air, assurez-vous que l'endroit où vous allez installer le ventilateur permet de le placer à une distance minimale de 2,3 m du sol et de 50 cm du mur ou de l'obstacle le plus proche.
- Assurez-vous que le support de montage est correctement fixé à la structure du bâtiment et qu'il peut supporter tout le poids du ventilateur.

INSTALLATION DU SUPPORT DE MONTAGE

- Dévissez le support de montage du corps principal du ventilateur.

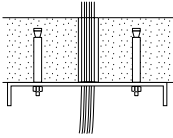


- Assurez-vous que le plafond où vous souhaitez monter le ventilateur est stable et capable de supporter en toute sécurité le poids du ventilateur.
- Ne pas fixer le support de montage directement sur des plafonds de moins de 10 mm afin d'éviter le risque que la vis se desserre et sorte.
- Marquez la position correcte des trous et fixez le support de montage à l'aide des vis avec chevilles métalliques ou des vis et rondelles adaptées au type de plafond choisi.



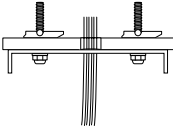
Toiture en bois

Percez les trous nécessaires, puis fixez le support de montage avec les vis à bois et les rondelles aux joints du plafond.



Plafond en béton

Percez des trous avec un foret de 8 mm, en fonction de la longueur des vis d'expansion. Ensuite, fixez le support de montage au plafond avec les vis d'expansion.



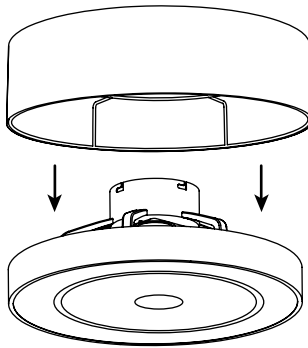
Faux plafond

Percez les trous nécessaires puis fixez le support de montage avec les vis de fixation à ressort spéciales pour utilisation dans les faux plafonds.

- Une fois le support de montage installé, vérifiez l'installation correcte avant de suspendre le ventilateur. Le support de montage doit supporter tout le poids du ventilateur.

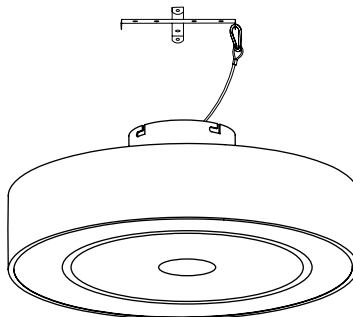
ASSEMBLAGE DU PANNEAU

Insérez le panneau de la lampe par le haut du corps principal. Assurez-vous qu'il est correctement inséré et que les parties inférieures sont au même niveau.

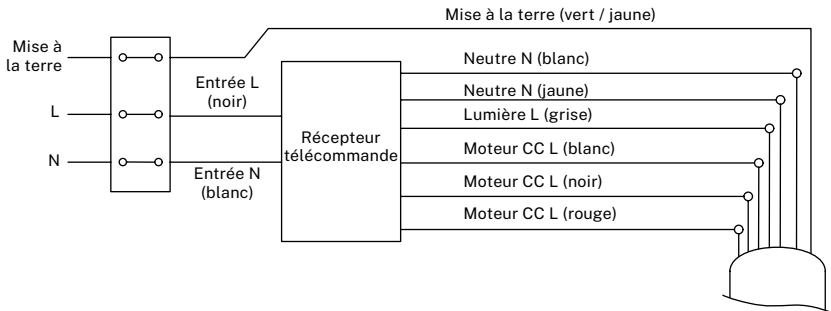


CONNEXION DE CÂBLAGE

Avant de raccorder le câblage, fixez le ventilateur au support de montage à l'aide du mousqueton et du câble en acier, comme illustré ci-dessous.

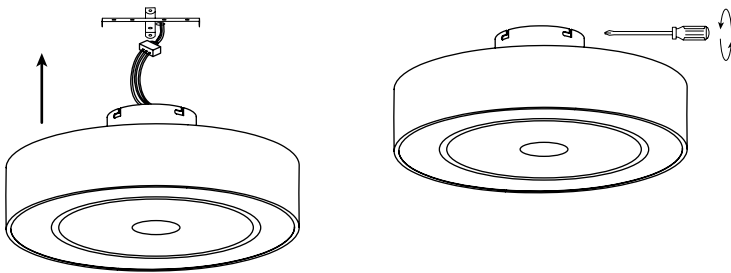


Effectuez la connexion entre les fils du récepteur et les fils du moteur du ventilateur en suivant les indications de couleur. Assurez-vous que la connexion est sécurisée.



CONNEXION AU SUPPORT DE MONTAGE

À l'aide d'un tournevis, vissez le ventilateur sur le support de montage. Une fois cela fait, vous aurez le ventilateur installé.



VÉRIFIEZ L'INSTALLATION

- Vérifiez que le ventilateur de plafond fonctionne correctement, en vérifiant qu'aucun mouvement étrange ou désalignement n'est observé dans aucune partie du ventilateur.

CONNEXION À L'APPLICATION

* Uniquement pour les modèles avec Wi-Fi



- L'application CREATE HOME est disponible pour Android et iOS (recherchez l'application sur Google Play ou App Store ou scannez le code QR). Selon le fournisseur, le téléchargement de l'application peut entraîner des frais.
- L'application vous permet de faire fonctionner l'appareil via votre réseau domestique. Comme condition essentielle, vous devez disposer d'un réseau Wi-Fi toujours connecté à votre routeur 2,4 Gh et à l'application gratuite CREATE. (Les fournisseurs Internet proposent actuellement 5Gh et 2,4Gh simultanément.)
- Nous vous recommandons de déconnecter l'appareil de l'alimentation électrique lorsque vous n'êtes pas chez vous afin d'éviter toute mise en marche involontaire pendant votre absence.

COMMENT SE CONNECTER À L'APPLICATION

1. Installez l'application CREATE et créez un compte utilisateur.
2. Définissez un mot de passe de connexion et connectez-vous à l'application.
3. Cliquez sur « Ajouter un appareil » (+), puis cliquez sur la catégorie du ventilateur de plafond.



- Vous pouvez également sélectionner l'option "Scanner QR" pour ajouter l'appareil directement.

4. Sur la télécommande, maintenez enfoncés les boutons 1H et 4H pendant environ 5 secondes jusqu'à ce que vous entendiez un bip.
5. Ensuite, cliquez sur « Confirmer ».
6. Saisissez le mot de passe de votre réseau Wi-Fi et confirmez.
7. Lors de la connexion, assurez-vous que votre routeur, votre téléphone mobile et votre appareil sont aussi proches que possible. Enfin, le ventilateur de plafond sera ajouté avec succès à votre application CREATE.



Conformément aux directives: 2012/19 / UE et 2015/863 / UE sur la limitation de l'utilisation de substances dangereuses dans les équipements électriques et électroniques, ainsi que leur élimination des déchets. Le symbole avec la poubelle croisée indiqué sur l'emballage indique que le produit à la fin de sa durée de vie sera collecté en tant que déchet séparé. Par conséquent, tout produit ayant atteint la fin de sa durée de vie doit être livré dans des centres d'élimination des déchets spécialisés pour la collecte sélective des déchets d'équipements électriques et électroniques, ou retourné au détaillant lors de l'achat de nouveaux équipements similaires, en un seul pour une base. Une collecte séparée appropriée pour la mise en service ultérieure des équipements expédiés pour être recyclés, traités et éliminés d'une manière respectueuse de l'environnement aide à prévenir les effets négatifs potentiels sur l'environnement et la santé et optimise le recyclage et la réutilisation des les composants qui composent l'appareil. L'élimination abusive du produit par l'utilisateur implique l'application de sanctions administratives conformément aux lois.

Grazie per aver scelto il nostro ventilatore da soffitto. Prima di utilizzare questo apparecchio e per garantirne il miglior utilizzo, leggere attentamente le istruzioni.

Le misure di sicurezza qui elencate riducono il rischio di incendio, scosse elettriche e lesioni se seguite correttamente. Si prega di conservare il manuale in un luogo sicuro per riferimento futuro, così come la ricevuta di vendita e la scatola. Se applicabile, consegnare queste istruzioni al futuro proprietario dell'apparecchio.

Seguire sempre le istruzioni di sicurezza di base e le misure di prevenzione dei rischi quando si utilizza un apparecchio elettrico. Il produttore non sarà responsabile per eventuali danni derivanti dalla mancata osservanza di queste istruzioni da parte dell'utente.

REQUISITI DI POSIZIONE E INSTALLAZIONE

CONSIGLI DEL MECCANICO

- Assicurarsi che la posizione scelta non consenta alle lame rotanti di entrare in contatto con alcun oggetto.
- Controllare che i travetti del soffitto siano sicuri, grandi e sufficientemente robusti da sostenere il peso del ventilatore.
- Per ridurre il rischio di incendio, scosse elettriche o lesioni personali, assicurarsi che la staffa di montaggio della ventola sia fissata direttamente alla struttura dell'edificio. **NON** montare in una scatola di distribuzione.
- La staffa di montaggio deve essere fissata saldamente a una struttura di supporto, come un tetto in cemento, una struttura in acciaio o un telaio in legno. Se viene aggiunta una cornice di legno, questa deve essere inchiodata o avvitata saldamente tra due travetti.
- Per ridurre il rischio di lesioni personali e danni materiali, non piegare o danneggiare l'asta verticale o le pale della ventola durante la movimentazione o l'installazione della ventola. Se si riscontrano danni al prodotto, contattare il nostro servizio post-vendita prima di procedere con l'installazione del ventilatore.
- Assicurarsi che il ventilatore sia fissato saldamente al soffitto. Tutte le viti di fissaggio devono essere controllate e serrate nuovamente quando necessario prima di avviare il ventilatore.

SUGGERIMENTI ELETTRICI

- Spegnerne l'alimentazione prima di eseguire qualsiasi intervento sul ventilatore da soffitto e spegnere l'interruttore di alimentazione. Per evitare possibili scosse elettriche, verificare che l'alimentazione sia disattivata nella scatola dei fusibili o nel pannello dell'interruttore prima di eseguire il cablaggio.
- Il ventilatore, la staffa di montaggio e l'apparecchio di illuminazione devono essere collegati a terra. Controllare che tutte le giunzioni siano ben isolate.
- Controllare e confermare che tutte le connessioni siano corrette e sicure. Una volta effettuati tutti i collegamenti elettrici, conservare tutti i cavi in modo sicuro.
- Non tentare di controllare questo ventilatore da un interruttore a parete o da un telecomando non approvato dal produttore per l'uso con il ventilatore. **NON** utilizzare un controller a stato solido. L'uso di un interruttore a parete o di un telecomando non approvato annullerà la garanzia.
- Non collegare il ventilatore da soffitto a un dimmer.

Quando si utilizza un qualsiasi elettrodomestico, è necessario osservare sempre le seguenti precauzioni di sicurezza di base.

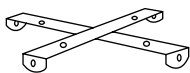
- Per ridurre il rischio di lesioni personali, fissare il ventilatore direttamente alla struttura portante dell'edificio seguendo queste istruzioni e utilizzare solo l'hardware fornito.
- Per evitare possibili scosse elettriche, prima di installare il ventilatore, scollegare l'alimentazione elettrica spegnendo gli interruttori del quadro elettrico e gli interruttori a parete associati. Se non è possibile spegnere gli interruttori di alimentazione, utilizzare un dispositivo di segnalazione, ad esempio un'etichetta sul quadro elettrico.
- Tutti i cablaggi devono essere conformi alle specifiche stabilite dai codici elettrici locali e nazionali e dalla norma ANSI/NFPA 70. Se non si ha familiarità con gli impianti elettrici, contattare un elettricista qualificato.
- Non piegare il sistema di accoppiamento delle lame durante l'installazione, l'inclinazione o la pulizia delle lame.
- Non inserire altri oggetti tra le pale del ventilatore.
- Per ridurre il rischio di incendi, scosse elettriche o danni al motore, non utilizzare un regolatore di velocità a stato solido con questa ventola. Utilizzare solo regolatori di velocità originali.
- Questo apparecchio può essere utilizzato da bambini di età pari o superiore a 8 anni e da persone con capacità fisiche, sensoriali o mentali ridotte, o con mancanza di esperienza o conoscenza limitata, a condizione che siano sorvegliati da una persona responsabile della loro sicurezza o siano stati istruiti a utilizzare l'apparecchio in modo sicuro.
- I bambini non devono giocare con questo apparecchio. Inoltre, non dovrebbero svolgere attività di pulizia e manutenzione a meno che non abbiano più di 8 anni e siano supervisionati. È necessaria un'attenta sorveglianza quando i bambini utilizzano un qualsiasi elettrodomestico.

NOTA: Le istruzioni e le precauzioni di sicurezza contenute nel presente manuale potrebbero non coprire tutti i possibili problemi e situazioni. È necessario comprendere che durante l'installazione e l'uso del ventilatore è essenziale usare buon senso e cautela.

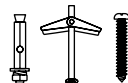
ELENCO DELLE PARTI

Aprire con cautela la confezione ed estrarre le parti contenute al suo interno. Posizionateli sul pavimento, su un tappetino o un pezzo di plastica sufficientemente grande da evitare danni.

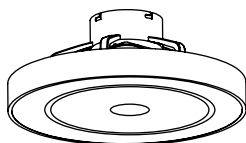
Controllare che all'interno della confezione siano presenti gli articoli elencati di seguito.



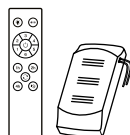
Staffa di
montaggio



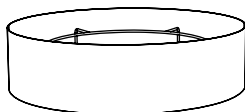
Viti



Corpo principale



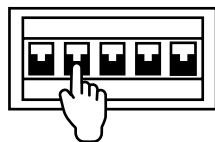
Telecomando e
ricevitore



Pannello lampada

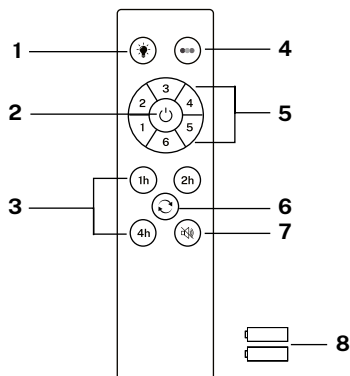


ATTENZIONE! Prima di iniziare il montaggio, ricordarsi di scollegare l'alimentazione elettrica dal quadro elettrico per evitare scosse elettriche.



TELECOMANDO

1. Leggero
2. Tasto ON/OFF
3. Timer
4. Controllo della temperatura del colore
5. Controllo dell'intensità della ventola
6. Funzione inversa
7. Pulsante di disattivazione dell'audio
8. Batterie (2 x AAA)



Associazione del controller

1. Spegnerne l'interruttore principale della stanza in cui è stato installato il ventilatore per almeno 10 secondi.
2. Accendere l'interruttore e sentire un segnale acustico; entro 3 secondi, tenere premuto il pulsante di accensione/spegnimento fino a quando non si sente un segnale acustico.
3. Se il processo di accoppiamento non ha successo, ripetere nuovamente i passaggi sopra descritti dopo aver spento l'interruttore a parete per almeno 1 minuto.

LEGGERO

Accendi e spegni la luce della ventola, indipendentemente se la ventola funziona o meno.

TEMPERATURA DI COLORE

Alterna tra i tre tipi di temperature di colore della luce disponibili (calda, neutra e fredda).

ACCESO SPENTO

Accendi o spegni completamente la ventola, indipendentemente se la luce è accesa o meno.

INTENSITÀ DEL VENTILATORE

Aumenta o diminuisce la velocità di rotazione delle pale del ventilatore.

TIMER

Pianifica lo spegnimento automatico scegliendo tra le opzioni disponibili.

FUNZIONE INVERSA

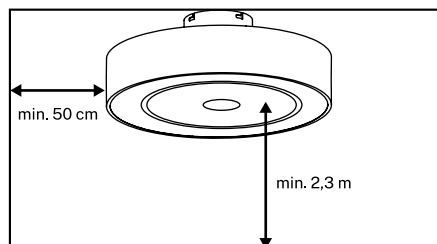
Cambia il senso di rotazione delle lame fan. La funzione invernale (ruotando a destra) spinge l'aria calda accumulata nel soffitto verso il basso e la funzione estiva (ruotando a sinistra) genera una brezza che rinfresca l'ambiente.

DISABILITA SUONO

Premendo il pulsante di disattivazione dell'audio è possibile silenziare i suoni emessi dalla ventola quando si preme un tasto qualsiasi sul telecomando.

ISTRUZIONI PER L'INSTALLAZIONE

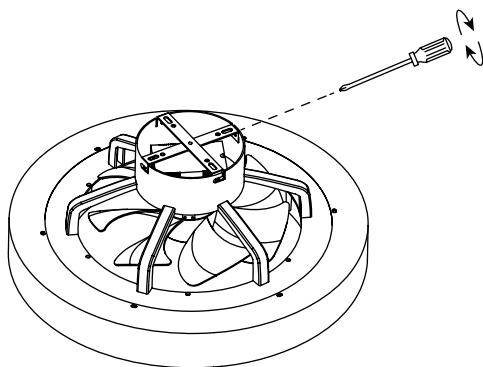
PREPARAZIONE ALL'INSTALLAZIONE



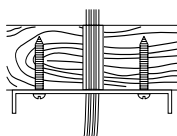
- Per evitare danni alle persone e garantire un buon flusso d'aria, assicurarsi che il luogo in cui si intende appendere il ventilatore consenta di posizionare il prodotto a una distanza pari o superiore a 2,3 m dal pavimento e a 50 cm dalla parete o dall'ostacolo più vicino.
- Assicurarsi che il supporto di montaggio sia fissato adeguatamente alla struttura dell'edificio e che sia in grado di sostenere l'intero peso del ventilatore.

INSTALLAZIONE DELLA STAFFA DI MONTAGGIO

- Svitare la staffa di montaggio dal corpo principale della ventola.

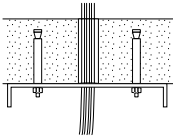


- Assicuratevi che il soffitto sul quale volete montare il ventilatore sia stabile e in grado di sostenerne in modo sicuro il peso.
- Non fissare la staffa di montaggio direttamente a soffitti inferiori a 10 mm per evitare il rischio che la vite si allenti e fuoriesca.
- Segnare la posizione corretta dei fori e fissare la staffa di montaggio utilizzando le viti con tasselli metallici o viti e rondelle adatte al tipo di soffitto scelto.



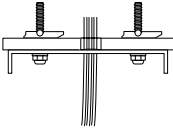
Tetto in legno

Praticare i fori necessari e quindi fissare la staffa di montaggio con le viti per legno e le rondelle ai giunti del soffitto.



Soffitto in cemento

Praticare dei fori con una punta da trapano da 8 mm, in base alla lunghezza delle viti di espansione. Successivamente, fissare la staffa di montaggio al soffitto con le viti ad espansione.



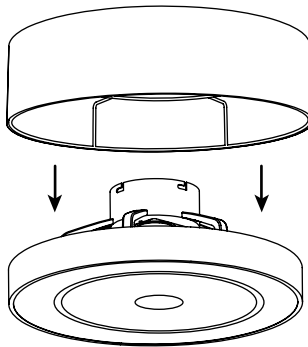
Controsoffitto

Praticare i fori necessari e quindi fissare la staffa di montaggio con le apposite viti di fissaggio a molla per l'uso nei controsoffitti.

- Una volta installata la staffa di montaggio, verificare che l'installazione sia corretta prima di appendere il ventilatore. La staffa di montaggio deve supportare l'intero peso della ventola.

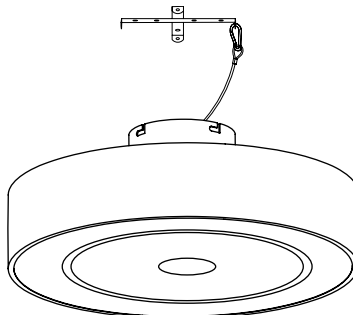
ASSEMBLAGGIO DEL PANNELLO

Inserire il pannello della lampada nella parte superiore del corpo principale. Assicurarsi che sia inserito correttamente e che le parti inferiori siano allo stesso livello.

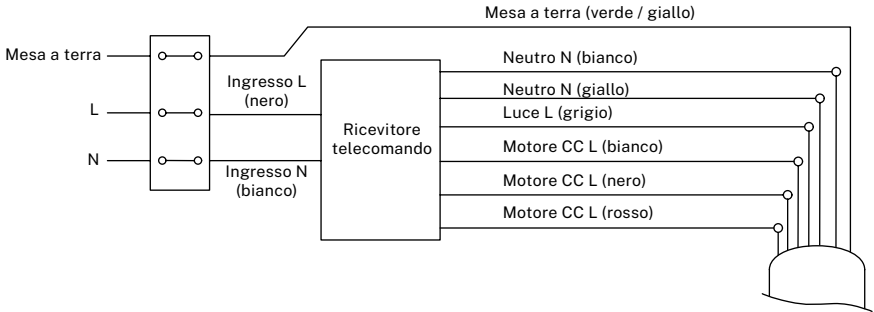


COLLEGAMENTO DEL CABLAGGIO

Prima di effettuare il collegamento dei cavi, fissare il ventilatore al supporto di montaggio utilizzando il moschettone e il cavo d'acciaio, come mostrato di seguito.

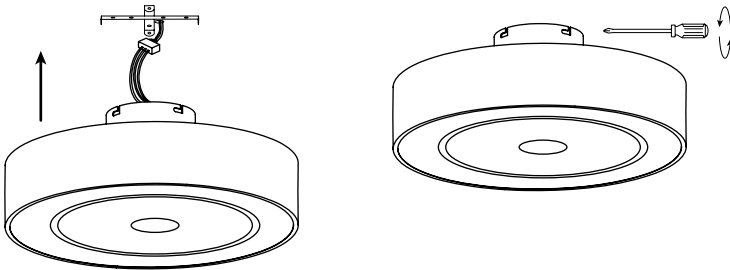


Effettuare il collegamento tra i fili del ricevitore e i fili del motore della ventola seguendo le indicazioni dei colori. Assicurarsi che la connessione sia sicura.



COLLEGAMENTO ALLA STAFFA DI MONTAGGIO

Utilizzando un cacciavite, avvitare la ventola alla staffa di montaggio. Una volta fatto, la ventola sarà installata.



CONTROLLARE L'INSTALLAZIONE

- Controllare che il ventilatore da soffitto funzioni correttamente, verificando che non si osservino movimenti strani o disallineamenti in nessuna sua parte.

CONNESSIONE ALL'APP

**Solo per modelli con Wi-Fi*



- L'applicazione CREATE HOME è disponibile sia per Android che per iOS (cercate l'applicazione su Google Play o App Store o scansionate il codice QR). A seconda del provider, il download dell'app può comportare dei costi.
- Con l'app è possibile utilizzare il dispositivo tramite la rete domestica. Il prerequisito è una connessione wifi permanente al router 2.4 Gh e l'applicazione gratuita CREATE HOME. (I provider Internet attualmente offrono sia 5Gh che 2,4Gh contemporaneamente).

- Si consiglia di scollegare il dispositivo dall'alimentazione quando si è lontani da casa per evitare accensioni involontarie durante l'assenza.

COME CONNETTERSI ALL'APP

1. Installa l'app CREATE e crea un account utente.
2. Imposta una password di accesso e accedi all'app.
3. Fare clic su "Aggiungi dispositivo" (+) e quindi fare clic sulla categoria del ventilatore da soffitto.



- È anche possibile selezionare l'opzione "Scansione QR" per aggiungere direttamente il dispositivo.

4. Sul telecomando, tieni premuti i pulsanti 1H e 4H per circa 5 secondi finché non senti un segnale acustico.
5. Successivamente, fai clic su "Conferma".
6. Inserisci la password della tua rete Wi-Fi e conferma.
7. Durante la connessione, assicurati che il router, il telefono cellulare e il dispositivo siano il più vicini possibile. Infine, il ventilatore da soffitto verrà aggiunto con successo alla tua applicazione CREATE.



In conformità con le direttive: 2012/19 / UE e 2015/863 / UE sulla restrizione dell'uso di sostanze pericolose nelle apparecchiature elettriche ed elettroniche, nonché sul loro smaltimento dei rifiuti. Il simbolo con la pattumiera incrociata mostrato sulla confezione indica che il prodotto al termine della sua vita utile verrà raccolto come rifiuto separato. Pertanto, qualsiasi prodotto che ha raggiunto la fine della sua vita utile deve essere consegnato a centri specializzati di smaltimento dei rifiuti per la raccolta selettiva di rifiuti di apparecchiature elettriche ed elettroniche o restituito al rivenditore al momento dell'acquisto di nuove apparecchiature simili, in un'unica per una base. Una corretta raccolta separata per la successiva messa in servizio di apparecchiature spedite per essere riciclate, trattate e smaltite in modo ecologico aiuta a prevenire potenziali effetti negativi sull'ambiente e sulla salute e ottimizza il riciclaggio e il riutilizzo di i componenti che compongono il dispositivo. L'eliminazione abusiva del prodotto da parte dell'utente implica l'applicazione di sanzioni amministrative in conformità con le leggi.

Vielen Dank, dass Sie sich für unseren Deckenventilator entschieden haben. Lesen Sie die Anleitung vor der Inbetriebnahme des Geräts sorgfältig durch, um einen optimalen Nutzen zu gewährleisten.

Die hier aufgeführten Sicherheitsmaßnahmen verringern bei korrekter Einhaltung das Risiko von Bränden, Stromschlägen und Verletzungen. Bewahren Sie das Handbuch sowie den Kaufbeleg und die Schachtel zur späteren Verwendung an einem sicheren Ort auf. Geben Sie diese Anleitung gegebenenfalls an den künftigen Besitzer des Gerätes weiter.

Befolgen Sie beim Gebrauch eines Elektrogeräts immer die grundlegenden Sicherheitshinweise und Maßnahmen zur Risikovermeidung. Für Schäden, die aus der Nichtbeachtung dieser Hinweise durch den Benutzer resultieren, übernimmt der Hersteller keine Haftung.

STANDORT-UND INSTALLATIONSANFORDERUNGEN

MECHANISCHE TIPPS

- Stellen Sie sicher, dass die rotierenden Klingen am gewählten Standort nicht mit Gegenständen in Berührung kommen.
- Überprüfen Sie, ob die Deckenbalken sicher und groß und stark genug sind, um das Gewicht des Ventilators zu tragen.
- Um das Risiko von Bränden, Stromschlägen oder Verletzungen zu verringern, stellen Sie sicher, dass die Lüfterhalterung direkt an der Gebäudestruktur befestigt ist. Nicht in einem Verteilerkasten montieren.
- Die Montagehalterung muss sicher an einer Trägerstruktur wie beispielsweise einer Betondecke, einer Stahlkonstruktion oder einem Holzrahmen verschraubt werden. Wenn ein Holzrahmen hinzugefügt wird, sollte dieser sicher zwischen zwei Balken genagelt oder geschraubt werden.
- Um das Risiko von Personen- und Sachschäden zu verringern, dürfen Sie beim Umgang mit dem Ventilator oder bei der Installation die Abwärtsstange oder die Ventilatorflügel nicht verbiegen oder beschädigen. Sollten Sie Schäden am Produkt feststellen, kontaktieren Sie bitte unseren Kundendienst, bevor Sie mit der Montage des Ventilators fortfahren.
- Stellen Sie sicher, dass der Ventilator sicher an der Decke befestigt ist. Vor dem Einschalten des Ventilators sollten alle Befestigungsschrauben überprüft und ggf. nachgezogen werden.

ELEKTRISCHE TIPPS

- Schalten Sie vor allen Arbeiten am Deckenventilator die Stromversorgung ab und schalten Sie den Stromversorgungsschutzschalter aus. Um einen möglichen Stromschlag zu vermeiden, stellen Sie sicher, dass der Strom am Sicherungskasten oder am Leistungsschalterfeld ausgeschaltet ist, bevor Sie mit der Verkabelung fortfahren.
- Der Ventilator, die Montagehalterung und die Beleuchtungseinrichtung müssen an eine geerdete Steckdose angeschlossen werden. Überprüfen Sie, ob alle Verbindungen gut isoliert sind.
- Überprüfen und bestätigen Sie, dass alle Verbindungen korrekt und sicher sind. Nachdem alle elektrischen Anschlüsse hergestellt wurden, verstauen Sie alle Kabel ordentlich.
- Versuchen Sie nicht, diesen Ventilator über einen Wandschalter oder eine Fernbedienung zu steuern, die vom Hersteller nicht für die Verwendung mit dem Ventilator zugelassen ist. Verwenden Sie keinen Solid-State-Treiber. Bei Verwendung eines nicht zugelassenen Wandschalters oder einer nicht zugelassenen Fernbedienung erlischt die Garantie.
- Schließen Sie den Deckenventilator nicht an einen Dimmerschalter an.

SICHERHEITSHINWEISE

Beim Gebrauch von Elektrogeräten sollten Sie stets die folgenden grundlegenden Sicherheitsvorkehrungen beachten.

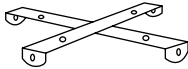
- Um das Risiko von Verletzungen zu verringern, befestigen Sie den Ventilator gemäß diesen Anweisungen direkt an der Tragstruktur des Gebäudes und verwenden Sie nur die mitgelieferte Hardware.
- Um einen möglichen Stromschlag zu vermeiden, trennen Sie vor der Installation Ihres Ventilators die Stromversorgung, indem Sie die Netzschalter an der Schalttafel und die zugehörigen Wandschalter ausschalten. Wenn sich die Netzschalter nicht ausschalten lassen, verwenden Sie ein Warngerät, beispielsweise ein Schild auf der Schalttafel.
- Die gesamte Verkabelung muss den in den örtlichen und nationalen Elektrovorschriften sowie ANSI/NFPA 70 festgelegten Spezifikationen entsprechen. Wenn Sie sich mit Elektroinstallationen nicht auskennen, wenden Sie sich an einen qualifizierten Elektriker.
- Verbiegen Sie das Klingenkupplungssystem nicht, während Sie die Klingen installieren, neigen oder reinigen.
- Stecken Sie keine anderen Gegenstände zwischen die Lüfterblätter.
- Um das Risiko von Feuer, Stromschlag oder Motorschäden zu verringern, verwenden Sie mit diesem Ventilator keinen Halbleiter-Drehzahlregler. Verwenden Sie ausschließlich originale Geschwindigkeitsregler.
- Dieses Gerät kann von Kindern ab 8 Jahren und von Personen mit eingeschränkten physischen, sensorischen oder geistigen Fähigkeiten oder mangelnder Erfahrung bzw. eingeschränkten Kenntnissen verwendet werden, sofern sie durch eine für ihre Sicherheit verantwortliche Person beaufsichtigt werden oder in die sichere Verwendung des Geräts eingewiesen wurden.
- Kinder sollten nicht mit diesem Gerät spielen. Sie sollten außerdem keine Reinigungs- und Wartungsarbeiten durchführen, es sei denn, sie sind älter als 8 Jahre und werden beaufsichtigt. Bei der Benutzung von Geräten durch Kinder ist eine genaue Aufsicht erforderlich.

NOTIZ: Die Anweisungen und Sicherheitsvorkehrungen in diesem Handbuch decken möglicherweise nicht alle möglichen Probleme und Situationen ab. Sie müssen verstehen, dass bei der Installation und Verwendung des Ventilators sowohl gesunder Menschenverstand als auch Vorsicht erforderlich sind.

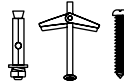
ERSATZTEILLISTE

Öffnen Sie die Verpackung vorsichtig und entnehmen Sie die enthaltenen Teile. Legen Sie sie auf den Boden auf eine Matte oder ein Stück Plastik, das groß genug ist, um Schäden zu vermeiden.

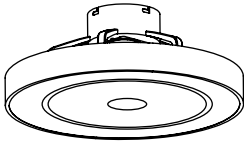
Überprüfen Sie, ob die unten aufgeführten Artikel in der Verpackung enthalten sind.



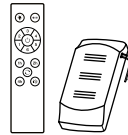
Montagehalterung



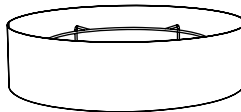
Schrauben



Hauptteil



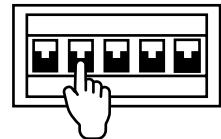
Fernbedienung und Empfänger



Lampenfeld

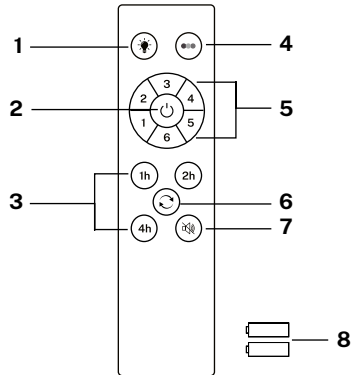


ACHTUNG! Bevor Sie mit der Montage beginnen, denken Sie daran, den Strom am Sicherungskasten abzuschalten, um einen Stromschlag zu vermeiden.



FERNBEDIENUNG

1. Licht
2. An / aus Schalter
3. Timer
4. Farbtemperaturregelung
5. Steuerung der Lüfterintensität
6. Umkehrfunktion
7. Ton-Aus-Taste
8. Batterien (2 x AAA)



Controller-Kopplung

1. Schalten Sie den Hauptlichtschalter in dem Raum, in dem Sie den Ventilator installiert haben, für mindestens 10 Sekunden aus. Schalten Sie den Schalter ein, und Sie hören einen
2. Signalton. Drücken Sie innerhalb von 3 Sekunden die Ein-/Aus-Taste und halten Sie sie gedrückt, bis Sie einen Signalton hören.
3. Wenn der Kopplungsprozess nicht erfolgreich ist, wiederholen Sie die oben genannten Schritte, nachdem Sie den Wandschalter für mindestens 1 Minute ausgeschaltet haben.



LICHT

Schalten Sie das Lüfterlicht ein und aus, egal ob der Lüfter läuft oder nicht.



FARBTEMPERATUR

Wechselt zwischen den drei verfügbaren Lichtfarbtemperaturen (warm, neutral und kühl).



AN AUS

Schalten Sie den Ventilator ganz ein oder aus, egal ob das Licht an ist oder nicht.



LÜFTERINTENSITÄT

Erhöht oder verringert die Rotationsgeschwindigkeit der Lüfterblätter.



TIMER

Planen Sie das automatische Herunterfahren, indem Sie eine der verfügbaren Optionen auswählen.



RÜCKWÄRTSFUNKTION

Ändert die Drehrichtung der Klingen des Lüfter. Die Winterfunktion (nach rechts drehen) drückt die in der Decke angesammelte Warmluft nach unten und die Sommerfunktion (nach links drehen) erzeugt eine Brise, die die Umgebung kühlt.

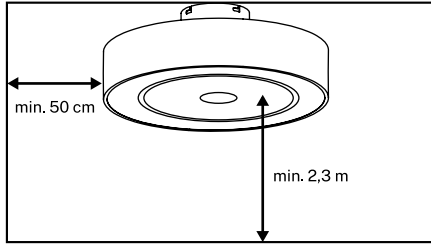


TON DEAKTIVIEREN

Durch Drücken der Taste „Ton aus“ können Sie die Geräusche stumm schalten, die der Ventilator erzeugt, wenn Sie eine beliebige Taste auf der Fernbedienung drücken.

INSTALLATIONSANLEITUNG

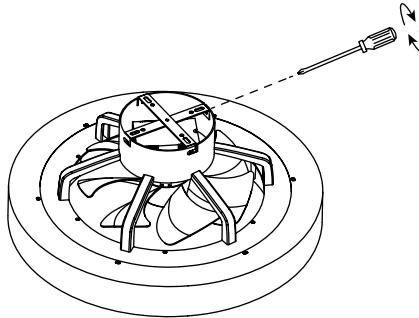
VORBEREITUNG DER INSTALLATION



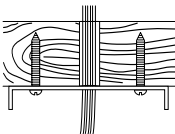
- Um Personenschäden zu vermeiden und einen guten Luftstrom zu erzielen, stellen Sie sicher, dass der Ort, an dem Sie den Ventilator aufhängen möchten, einen Abstand von mindestens 2,3 m zum Boden und 50 cm zur nächsten Wand oder zum nächsten Hindernis gewährleistet.
- Stellen Sie sicher, dass die Halterung ordnungsgemäß an der Gebäudestruktur befestigt ist und das gesamte Gewicht des Ventilators tragen kann.

MONTAGE DER HALTERUNG

- Schrauben Sie die Montagehalterung vom Hauptkörper des Ventilators ab.

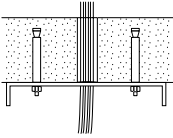


- Stellen Sie sicher, dass die Decke, an der Sie den Ventilator montieren möchten, stabil ist und das Gewicht des Ventilators sicher tragen kann.
- Befestigen Sie die Montagehalterung nicht direkt an Decken mit einer Dicke von weniger als 10 mm, da sich sonst die Schraube lösen und herausrutschen kann.
- Markieren Sie die richtige Position der Löcher und befestigen Sie die Montagehalterung mithilfe der Schrauben mit Metalldübeln oder Schrauben und Unterlegscheiben, die für die gewählte Deckenart geeignet sind.



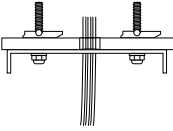
Holzdach

Bohren Sie die erforderlichen Löcher und befestigen Sie die Montagehalterung anschließend mit den Holzschrauben und Unterlegscheiben an den Deckenverbindungen.



Betondecke

Bohren Sie mit einem 8mm Bohrer Löcher, entsprechend der Länge der Dehnschrauben. Befestigen Sie anschließend die Montagehalterung mit den Dehnschrauben an der Decke.



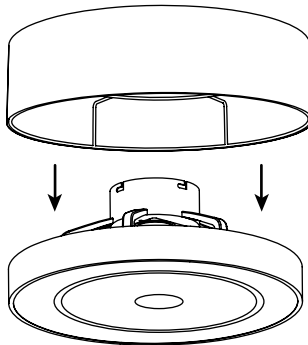
Zwischendecke

Bohren Sie die erforderlichen Löcher und befestigen Sie die Montagehalterung anschließend mit den speziellen federbelasteten Befestigungsschrauben für den Einsatz in Zwischendecken.

- Sobald die Montagehalterung installiert ist, überprüfen Sie die ordnungsgemäße Installation, bevor Sie den Ventilator aufhängen. Die Montagehalterung muss das gesamte Gewicht des Ventilators tragen.

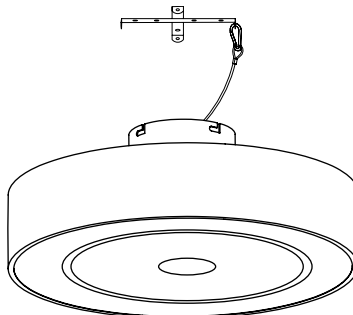
MONTAGE DER PLATTE

Setzen Sie die Lampenabdeckung oben auf den Hauptkörper auf. Vergewissern Sie sich, dass sie richtig sitzt und die unteren Teile auf gleicher Höhe sind.

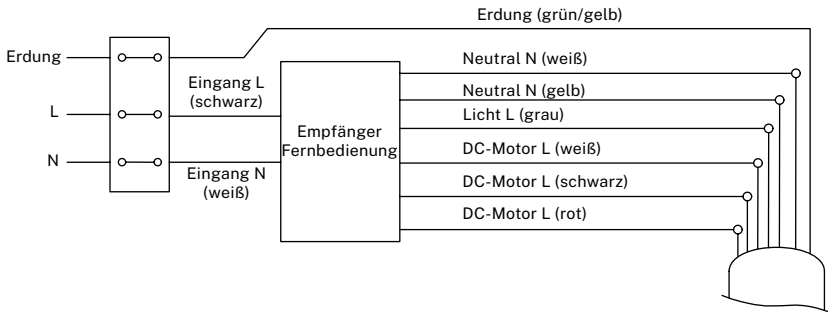


KABELANSCHLUSS

Bevor Sie die Verkabelung anschließen, befestigen Sie den Ventilator mit dem Karabinerhaken und dem Stahlseil an der Montagehalterung, wie unten gezeigt.

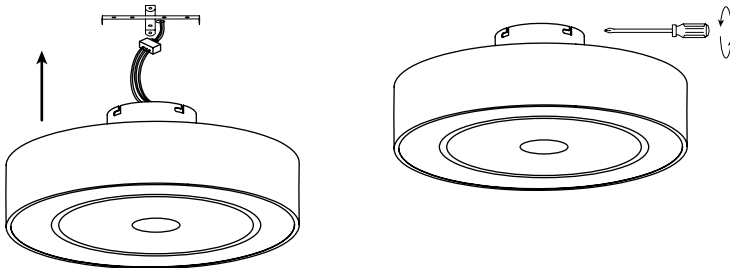


Stellen Sie die Verbindung zwischen den Empfängerkabeln und den Lüftermotorkabeln her und beachten Sie dabei die Farbmarkierungen. Stellen Sie sicher, dass die Verbindung sicher ist.



ANSCHLUSS AN MONTAGEHALTERUNG

Schrauben Sie den Lüfter mit einem Schraubendreher an die Montagehalterung. Sobald dies erledigt ist, ist der Lüfter installiert.



ÜBERPRÜFEN SIE DIE INSTALLATION

- Überprüfen Sie, ob der Deckenventilator ordnungsgemäß funktioniert, und achten Sie darauf, dass an keinem Teil des Ventilators eine ungewöhnliche Bewegung oder Fehlausrichtung zu erkennen ist.

VERBINDUNG ZUR APP

* Nur für Modelle mit WLAN



- Die CREATE HOME-App ist sowohl für Android als auch für iOS verfügbar (suchen Sie die App bei Google Play oder im App Store oder scannen Sie den QR-Code). Je nach Anbieter können für das Herunterladen der App Kosten anfallen.
- Mit der App können Sie das Gerät über Ihr Heimnetzwerk bedienen. Voraussetzung ist eine permanente WLAN-Verbindung zu Ihrem 2,4-GHz-Router und die kostenlose CREATE HOME App. (Internetanbieter bieten derzeit sowohl 5 GHz als auch 2,4 GHz gleichzeitig an).

- Wir empfehlen, das Gerät von der Stromversorgung zu trennen, wenn Sie nicht zu Hause sind, um ein unbeabsichtigtes Einschalten während Ihrer Abwesenheit zu vermeiden.

SO STELLEN SIE EINE VERBINDUNG ZUR APP HER

1. Installieren Sie die CREATE-App und erstellen Sie ein Benutzerkonto.
2. Legen Sie ein Login-Passwort fest und melden Sie sich bei der App an.
3. Klicken Sie auf „Gerät hinzufügen“ (+) und dann auf die Kategorie für den Deckenventilator.



- Sie können auch die Option “QR scannen” wählen, um das Gerät direkt hinzuzufügen.

4. Halten Sie auf der Fernbedienung die Tasten 1H und 4H etwa 5 Sekunden lang gedrückt, bis Sie einen Piepton hören.
5. Klicken Sie anschließend auf „Bestätigen“.
6. Geben Sie Ihr WLAN-Netzwerkpasswort ein und bestätigen Sie.
7. Stellen Sie beim Herstellen der Verbindung sicher, dass Ihr Router, Ihr Mobiltelefon und Ihr Gerät so nah wie möglich beieinander sind. Schließlich wird der Deckenventilator erfolgreich zu Ihrer CREATE-Anwendung hinzugefügt.



In Übereinstimmung mit den Richtlinien: 2012/19 / EU und 2015/863 / EU über die Beschränkung der Verwendung gefährlicher Stoffe in elektrischen und elektronischen Geräten sowie deren Abfallentsorgung. Das Symbol mit der gekreuzten Mülltonne auf der Verpackung zeigt an, dass das Produkt am Ende seiner Nutzungsdauer als separater Abfall gesammelt wird. Daher muss jedes Produkt, das das Ende seiner Nutzungsdauer erreicht hat, an spezialisierte Abfallentsorgungszentren zur selektiven Sammlung von elektrischen und elektronischen Abfallgeräten geliefert oder beim Kauf ähnlicher neuer Geräte an den Einzelhändler zurückgegeben werden für eine Basis. Die ordnungsgemäße getrennte Sammlung für die spätere Inbetriebnahme von Geräten, die zum umweltfreundlichen Recycling, zur Behandlung und Entsorgung versandt werden, trägt dazu bei, mögliche negative Auswirkungen auf Umwelt und Gesundheit zu vermeiden und das Recycling und die Wiederverwendung zu optimieren die Komponenten, aus denen das Gerät besteht... Die missbräuchliche Beseitigung des Produkts durch den Benutzer impliziert die Anwendung von Verwaltungsanktionen in Übereinstimmung mit den Gesetzen.

Bedankt dat u voor onze plafondventilator hebt gekozen. Lees de instructies zorgvuldig door voordat u dit apparaat gebruikt en om er zeker van te zijn dat u het apparaat optimaal gebruikt.

Als u de hier vermelde veiligheidsmaatregelen correct opvolgt, vermindert u het risico op brand, elektrische schokken en letsel. Bewaar de handleiding, het aankoopbewijs en de doos op een veilige plaats voor toekomstig gebruik. Geef deze instructies, indien van toepassing, door aan de toekomstige eigenaar van het apparaat.

Volg altijd de basisveiligheidsinstructies en risicopreventiemaatregelen op wanneer u een elektrisch apparaat gebruikt. De fabrikant is niet aansprakelijk voor schade die ontstaat doordat de gebruiker deze instructies niet in acht neemt.

LOCATIE- EN INSTALLATIEVEREISTEN

MECHANISCHE TIPS

- Zorg ervoor dat de gekozen locatie zodanig is dat de roterende bladen geen voorwerpen kunnen raken.
- Controleer of de plafondbalken stevig, groot en sterk genoeg zijn om het gewicht van de ventilator te dragen.
- Om het risico op brand, elektrische schokken of persoonlijk letsel te verkleinen, moet u ervoor zorgen dat de montagebeugel van de ventilator rechtstreeks aan de constructie van het gebouw wordt bevestigd. Niet in een verdeeldoos monteren.
- De montagebeugel moet stevig aan een dragende constructie worden vastgeschroefd, bijvoorbeeld een betonnen plafond, een stalen constructie of een houten frame. Als er een houten frame wordt toegevoegd, moet dit stevig tussen twee balken worden gespijkerd of geschroefd.
- Om het risico op persoonlijk letsel en materiële schade te beperken, mag u de stang of de ventilatorbladen niet buigen of beschadigen bij het hanteren of installeren van de ventilator. Als u schade aan het product constateert, neem dan contact op met onze klantenservice voordat u de ventilator installeert.
- Zorg ervoor dat de ventilator stevig aan het plafond bevestigd is. Controleer alle bevestigingsschroeven en draai ze indien nodig opnieuw vast voordat u de ventilator start.

ELEKTRISCHE TIPS

- Schakel de stroom uit voordat u werkzaamheden aan de plafondventilator uitvoert en schakel de stroomvoorzieningsschakelaar uit. Om een mogelijke elektrische schok te voorkomen, dient u ervoor te zorgen dat de stroom is uitgeschakeld in de zekeringkast of het stroomonderbrekerpaneel voordat u met de bedrading begint.
- De ventilator, montagebeugel en verlichtingsapparatuur moeten op een geaard stopcontact worden aangesloten. Controleer of alle verbindingen goed geïsoleerd zijn.
- Controleer en bevestig dat alle verbindingen correct en veilig zijn. Zodra alle elektrische aansluitingen zijn gemaakt, bergt u alle kabels netjes op.
- Probeer deze ventilator niet te bedienen met een wandschakelaar of afstandsbediening die niet door de fabrikant is goedgekeurd voor gebruik met de ventilator. Gebruik geen solid state driver. Bij gebruik van een niet-goedgekeurde wandschakelaar of afstandsbediening vervalt de garantie.
- Sluit de plafondventilator niet aan op een dimmer.

VEILIGHEIDSINSTRUCTIES

Bij het gebruik van elektrische apparaten dienen altijd de volgende basisveiligheidsmaatregelen in acht te worden genomen.

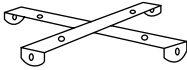
- Om het risico op persoonlijk letsel te verkleinen, bevestigt u de ventilator rechtstreeks aan de draagconstructie van het gebouw volgens deze instructies en gebruikt u uitsluitend de meegeleverde bevestigingsmaterialen.
- Om een mogelijke elektrische schok te voorkomen, dient u, voordat u de ventilator installeert, de stroom uit te schakelen door de schakelaars op het elektrische paneel en de bijbehorende wandchakelaars uit te zetten. Als het niet mogelijk is om de schakelaars uit te zetten, gebruik dan een waarschuwingsvoorziening, bijvoorbeeld een label op het elektrische paneel.
- Alle bedrading moet voldoen aan de specificaties zoals vastgelegd in de lokale en nationale elektrische voorschriften en ANSI/NFPA 70. Als u niet bekend bent met elektrische installaties, neem dan contact op met een gekwalificeerde elektricien.
- Buig het meskoppelingssysteem niet tijdens het installeren, kantelen of reinigen van de messen.
- Steek geen andere voorwerpen tussen de ventilatorbladen.
- Om het risico op brand, elektrische schokken of motorschade te verkleinen, mag u geen solid-state snelheidsregelaar gebruiken bij deze ventilator. Gebruik uitsluitend originele cruisecontrolregelaars.
- Dit apparaat kan worden gebruikt door kinderen van 8 jaar en ouder en door personen met beperkte fysieke, sensorische of mentale vermogens, of met een gebrek aan ervaring of beperkte kennis, op voorwaarde dat zij onder toezicht staan van een persoon die verantwoordelijk is voor hun veiligheid of dat zij zijn opgeleid om het apparaat op een veilige manier te gebruiken.
- Kinderen mogen niet met dit apparaat spelen. Ook mogen zij geen schoonmaak- en onderhoudswerkzaamheden uitvoeren, tenzij zij ouder zijn dan 8 jaar en onder toezicht staan. Wanneer kinderen een apparaat gebruiken, is nauwlettend toezicht noodzakelijk.

OPMERKING: De instructies en veiligheidsmaatregelen in deze handleiding dekken mogelijk niet alle mogelijke problemen en situaties. U moet begrijpen dat zowel gezond verstand als voorzichtigheid essentieel zijn bij de installatie en het gebruik van de ventilator.

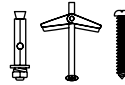
ONDERDELENLIJST

Open de verpakking voorzichtig en haal de meegeleverde onderdelen eruit. Leg ze op de grond op een mat of stuk plastic dat groot genoeg is om schade te voorkomen.

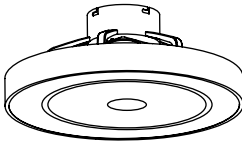
Controleer of de onderstaande artikelen zich in de verpakking bevinden.



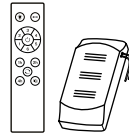
Montagebeugel



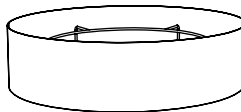
Schroeven



Hoofddeelte



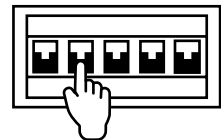
Afstandsbediening
en ontvanger



Lampenpaneel

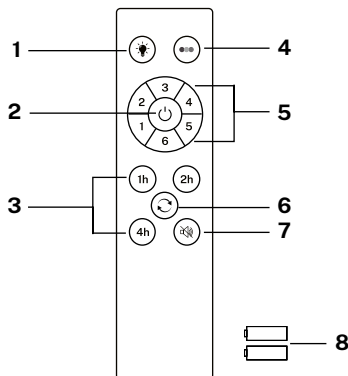


LET OP! Voordat u met de montage begint, moet u eerst de stroomtoevoer naar het elektriciteitspaneel uitschakelen om een elektrische schok te voorkomen.



AFSTANDSBEDIENING

1. Licht
2. Aan / uit knop
3. Timer
4. Kleurtemperatuurregeling
5. Controle van de ventilatorintensiteit
6. omgekeerde functie
7. Knop voor geluid uit
8. Batterijen (2 x AAA)



Controller-koppeling

1. Zet de hoofdschakelaar van het licht in de kamer waar je de ventilator hebt geïnstalleerd minstens 10 seconden uit.
2. Zet de schakelaar aan en je hoort een pieptoon, druk binnen 3 seconden op de aan/uit-knop en houd deze ingedrukt tot je een pieptoon hoort.
3. Als het koppelen niet lukt, herhaal je de bovenstaande stappen opnieuw nadat je de wand-schakelaar minstens 1 minuut hebt uitgeschakeld.

LICHT

Schakel het ventilatorlicht in en uit, achteloos of de ventilator draait of niet.

KLEURTEMPERATUUR

Wisselt tussen de drie soorten beschikbare lichtkleurtemperaturen (warm, neutraal en koel).

AAN UIT

Zet de ventilator volledig aan of uit, achteloos of het licht nu aan is of niet.

VENTILATORINTENSITEIT

Verhoogt of verlaagt de rotatiesnelheid van de ventilatorbladen.

1h TIMER

Plan automatische uitschakeling door een keuze te maken uit de beschikbare opties.

OMGEKEERDE FUNCTIE

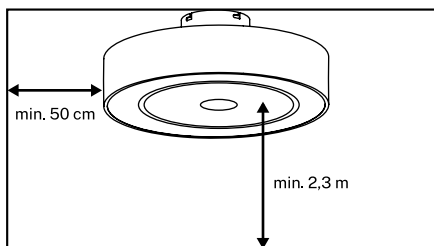
Verandert de draairichting van de messen fan. De winterfunctie (naar rechts draaien) duwt de warme lucht die zich in het plafond heeft opgehoopt naar beneden en de zomerfunctie (naar links draaien) genereert een briesje dat de omgeving afkoelt.

GELUID UITSCHAKELEN

Door op de knop Geluid uit te drukken, kun je de geluiden dempen die de ventilator maakt als je op een willekeurige toets op de afstandsbediening drukt.

INSTALLATIE-INSTRUCTIES

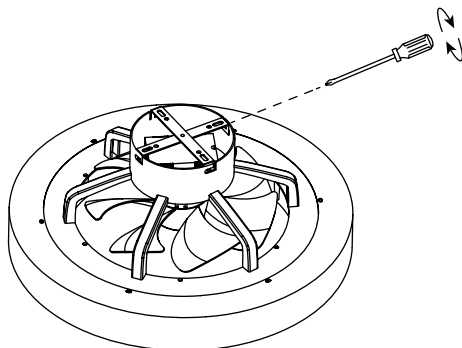
VOORBEREIDING OP INSTALLATIE



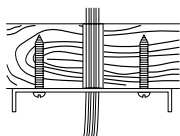
- Om persoonlijk letsel te voorkomen en een goede luchtstroom te verkrijgen, moet u ervoor zorgen dat de plaats waar u de ventilator gaat ophangen, het mogelijk maakt om het product op een afstand van minimaal 2,3 m van de vloer en 50 cm van de dichtstbijzijnde muur of obstakel te plaatsen.
- Zorg ervoor dat de montagebeugel goed aan de structuur van het gebouw is bevestigd en dat deze het volledige gewicht van de ventilator kan dragen.

MONTAGEBEUGEL MONTEREN

- Schroef de montagebeugel los van het hoofdgedeelte van de ventilator.

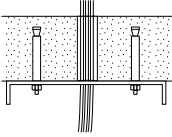


- Zorg ervoor dat het plafond waaraan u de ventilator wilt bevestigen, stabiel is en het gewicht van de ventilator veilig kan dragen.
- Bevestig de montagebeugel niet rechtstreeks aan plafonds die dunner zijn dan 10 mm, om te voorkomen dat de schroef losraakt en eruit valt.
- Markeer de juiste positie van de gaten en bevestig de montagebeugel met de schroeven en metalen ankers of schroeven en ringen die geschikt zijn voor het gekozen plafondtype.



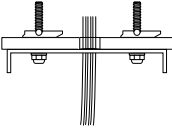
Houten dak

Boor de benodigde gaten en bevestig vervolgens de montagebeugel met de houtschroeven en ringen aan de plafondverbindingen.



Betonnen plafond

Boor gaten met een boor van 8 mm, afhankelijk van de lengte van de expansieschroeven. Bevestig vervolgens de montagebeugel met de expansieschroeven aan het plafond.



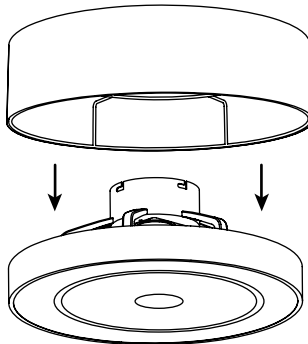
Vals plafond

Boor de benodigde gaten en bevestig vervolgens de montagebeugel met de speciale veerbelaste bevestigingsschroeven voor gebruik in valse plafonds.

- Nadat u de montagebeugel hebt geïnstalleerd, controleert u of deze correct is geïnstalleerd voordat u de ventilator ophangt. De montagebeugel moet het volledige gewicht van de ventilator dragen.

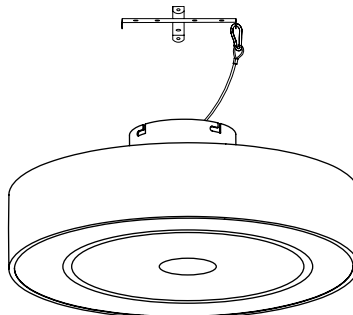
MONTAGE VAN HET PANEEL

Plaats het lampenpaneel aan de bovenkant van het hoofdgedeelte. Zorg ervoor dat het goed is geplaatst en dat de onderkant op hetzelfde niveau ligt.

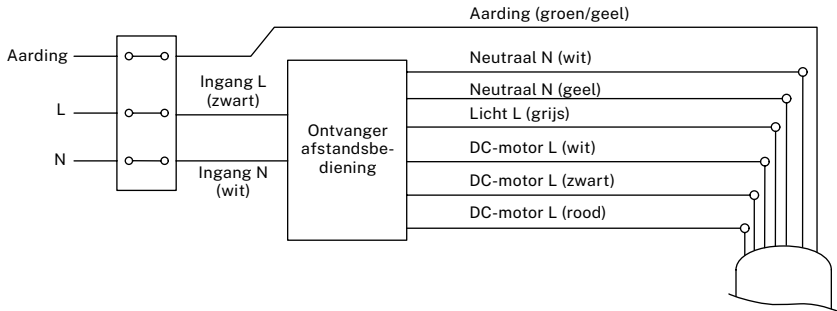


BEDRADINGSVERBINDING

Bevestig de ventilator aan de montagebeugel met behulp van de karabijnhaak en de staalkabel, zoals hieronder weergegeven, voordat u de bedrading aansluit.

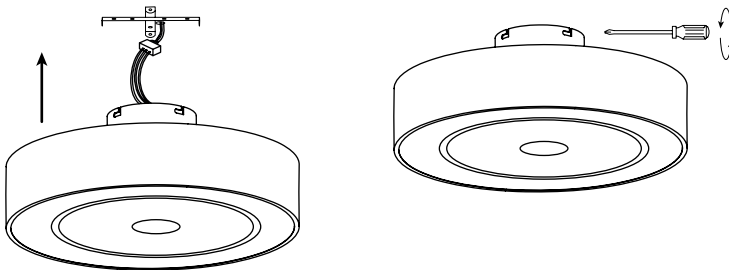


Maak de verbinding tussen de ontvangerdraden en de ventilatormotordraden volgens de kleurindicaties. Zorg ervoor dat de verbinding veilig is.



AANSLUITING OP MONTAGEBEUGEL

Schroef de ventilator met een schroevendraaier vast aan de montagebeugel. Zodra u klaar bent, wordt de ventilator geïnstalleerd.



CONTROLEER DE INSTALLATIE

- Controleer of de plafondventilator goed werkt en of er geen vreemde bewegingen of verkeerde uitlijning in enig onderdeel van de ventilator te zien is.

VERBINDING MET DE APP

*Alleen voor modellen met Wi-Fi



- De CREATE HOME app is beschikbaar voor zowel Android als iOS (zoek naar de app op Google Play of App Store of scan de QR-code). Afhankelijk van de provider kunnen er kosten verbonden zijn aan het downloaden van de app.
- Met de app kun je het apparaat bedienen via je thuisnetwerk. Als essentiële vereiste moet u altijd een Wi-Fi-netwerk hebben dat verbonden is met uw 2,4 Gh-router en de gratis CREATE-applicatie. (Internetproviders bieden momenteel zowel 5Gh als 2,4Gh tegelijkertijd aan).

- We raden aan het apparaat los te koppelen van de stroomvoorziening wanneer je niet thuis bent om onbedoelde inschakeling tijdens je afwezigheid te voorkomen.

HOE U VERBINDING MAAKT MET DE APP

1. Installeer de CREATE-app en maak een gebruikersaccount aan.
2. Stel een inlogwachtwoord in en log in op de app.
3. Klik op “Apparaat toevoegen” (+) en klik vervolgens op de categorie voor de plafondventilator.



- Je kunt ook de optie “Scan QR” selecteren om het apparaat direct toe te voegen.

4. Houd op de afstandsbediening de knoppen 1H en 4H ongeveer 5 seconden ingedrukt tot dat u een pieptoon hoort.
5. Klik vervolgens op “Bevestigen”.
6. Voer uw Wi-Fi-netwerkwachtwoord in en bevestig.
7. Zorg ervoor dat uw router, mobiele telefoon en apparaat tijdens het verbinden zo dicht mogelijk bij elkaar zijn. Ten slotte wordt de plafondventilator succesvol toegevoegd aan uw CREATE-applicatie.



In overeenstemming met de richtlijnen: 2012/19 / EU en 2015/863 / EU betreffende de beperking van het gebruik van gevaarlijke stoffen in elektrische en elektronische apparatuur, evenals hun afvalverwerking. Het symbool met de gekruiste vuilnisbak op de verpakking geeft aan dat het product aan het einde van zijn levensduur als gescheiden afval wordt ingezameld. Daarom moet elk product dat het einde van zijn levensduur heeft bereikt, worden afgeleverd bij gespecialiseerde afvalverwijderingscentra voor de selectieve inzameling van afgedankte elektrische en elektronische apparatuur, of bij de aankoop van soortgelijke nieuwe apparatuur in één keer aan de detailhandelaar worden geretourneerd. voor één basis. Een juiste gescheiden inzameling voor latere inbedrijfstelling van apparatuur die wordt verzonden om te worden gerecycled, behandeld en op milieuvriendelijke wijze afgevoerd, helpt mogelijke negatieve effecten op het milieu en de gezondheid te voorkomen en optimaliseert recycling en hergebruik van de componenten waaruit het apparaat bestaat. De onrechtmatige eliminatie van het product door de gebruiker impliceert de toepassing van administratieve sancties in overeenstemming met de wetten.

Dziękujemy za wybranie naszego wentylatora sufitowego. Przed użyciem urządzenia, aby zapewnić jego optymalne działanie, prosimy o dokładne zapoznanie się z instrukcją.

Przedstawione tutaj środki bezpieczeństwa zmniejszają ryzyko pożaru, porażenia prądem elektrycznym i obrażeń, jeśli są prawidłowo przestrzegane. Instrukcję należy zachować w bezpiecznym miejscu, aby móc z niej skorzystać w przyszłości, a także zachować paragon zakupu i pudełko. W stosownych przypadkach należy przekazać niniejszą instrukcję przyszłemu właścicielowi urządzenia.

Używając urządzeń elektrycznych, należy zawsze przestrzegać podstawowych instrukcji bezpieczeństwa i środków zapobiegających ryzyku. Producent nie ponosi odpowiedzialności za szkody powstałe na skutek nieprzestrzegania przez użytkownika niniejszej instrukcji.

WYMAGANIA DOTYCZĄCE LOKALIZACJI I INSTALACJI

WSKAZÓWKI MECHANICZNE

- Upewnij się, że wybrana lokalizacja nie pozwala na kontakt obracających się ostrzy z zadanymi przedmiotami.
- Sprawdź, czy belki stropowe są dobrze zamocowane, wystarczająco duże i wytrzymałe, aby utrzymać ciężar wentylatora.
- Aby ograniczyć ryzyko pożaru, porażenia prądem elektrycznym lub obrażeń ciała, należy upewnić się, że uchwyt montażowy wentylatora jest przymocowany bezpośrednio do konstrukcji budynku. Nie montować w skrzynce rozdzielczej.
- Uchwyt montażowy musi być solidnie przykręcony do konstrukcji nośnej, takiej jak betonowy sufit, konstrukcja stalowa lub rama drewniana. Jeśli dodasz drewnianą ramę, powinna ona zostać solidnie przybita gwoździami lub przykręcona śrubami pomiędzy dwoma belkami.
- Aby ograniczyć ryzyko obrażeń ciała i uszkodzenia mienia, podczas przenoszenia lub instalacji wentylatora nie należy zginać ani uszkadzać pręta lub łopatek wentylatora. Jeśli zauważysz jakiegokolwiek uszkodzenie produktu, skontaktuj się z naszym serwisem technicznym przed przystąpieniem do montażu wentylatora.
- Sprawdź, czy wentylator jest solidnie przymocowany do sufitu. Przed uruchomieniem wentylatora należy sprawdzić wszystkie śruby mocujące i w razie potrzeby dokręcić je.

PORADY ELEKTRYCZNE

- Przed przystąpieniem do prac przy wentylatorze sufitowym należy wyłączyć zasilanie i wyłączyć wyłącznik obwodu zasilania. Aby uniknąć porażenia prądem elektrycznym, przed przystąpieniem do prac okablowania należy upewnić się, że zasilanie w skrzynce bezpieczników lub na panelu wyłączników automatycznych jest wyłączone.
- Wentylator, uchwyt montażowy i oświetlenie muszą być podłączone do uziemionego gniazdka. Sprawdź, czy wszystkie połączenia są dobrze zaizolowane.
- Sprawdź i potwierdź, że wszystkie połączenia są prawidłowe i bezpieczne. Po wykonaniu wszystkich połączeń elektrycznych należy uporządkować wszystkie kable.
- Nie próbuj sterować wentylatorem za pomocą przełącznika ściennego lub pilota, który nie został zatwierdzony przez producenta do użytku z wentylatorem. Nie używaj sterownika półprzewodnikowego. Użycie niezatwierdzonego przełącznika ściennego lub pilota spowoduje unieważnienie gwarancji.
- Nie podłączaj wentylatora sufitowego do ściemniacza.

Podczas korzystania z urządzeń elektrycznych należy zawsze przestrzegać poniższych podstawowych zasad bezpieczeństwa.

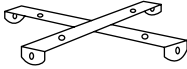
- Aby ograniczyć ryzyko obrażeń ciała, należy przymocować wentylator bezpośrednio do konstrukcji nośnej budynku, postępując zgodnie z poniższymi instrukcjami i używać wyłącznie dostarczonego osprzętu.
- Aby uniknąć porażenia prądem elektrycznym, przed zainstalowaniem wentylatora należy odłączyć zasilanie, wyłączając wyłączniki zasilania na panelu elektrycznym i przełącznikach ściennych. Jeżeli nie ma możliwości wyłączenia zasilania, należy zastosować urządzenie ostrzegawcze, np. etykietę na panelu elektrycznym.
- Całe okablowanie musi spełniać wymagania określone w lokalnych i krajowych przepisach elektrycznych oraz normie ANSI/NFPA 70. Jeśli nie masz doświadczenia w instalacjach elektrycznych, skontaktuj się z wykwalifikowanym elektrykiem.
- Nie wyginaj układu sprzęgającego ostrza podczas montażu, przechylania lub czyszczenia ostrzy.
- Nie wkładaj innych przedmiotów pomiędzy łopatki wentylatora.
- Aby ograniczyć ryzyko pożaru, porażenia prądem lub uszkodzenia silnika, nie należy używać z tym wentylatorem regulatora prędkości obrotowej ze stykiem stałym. Stosuj wyłącznie oryginalne regulatory tempomatu.
- Z urządzenia mogą korzystać dzieci w wieku od 8 lat oraz osoby o ograniczonej sprawności fizycznej, sensorycznej lub umysłowej, a także osoby nieposiadające odpowiedniego doświadczenia lub wiedzy, pod warunkiem, że będą one nadzorowane przez osobę odpowiedzialną za ich bezpieczeństwo lub zostaną przeszkolone w zakresie bezpiecznego korzystania z urządzenia.
- Dzieci nie powinny bawić się tym urządzeniem. Nie powinny one również wykonywać prac związanych ze sprzątaniem i konserwacją, chyba że mają ukończone 8 lat i znajdują się pod nadzorem. Podczas korzystania z urządzeń przez dzieci konieczny jest ścisły nadzór.

NOTATKA: Instrukcje i środki ostrożności zawarte w tym podręczniku mogą nie obejmować wszystkich możliwych problemów i sytuacji. Musisz zdawać sobie sprawę, że zarówno zdrowy rozsądek, jak i ostrożność są niezbędne przy instalacji i użytkowaniu wentylatora.

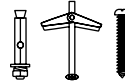
LISTA CZĘŚCI

Ostrożnie otwórz opakowanie i wyjmij znajdujące się w nim części. Połóż je na podłodze, na macie lub kawałku plastiku wystarczająco dużym, aby zapobiec ich uszkodzeniu.

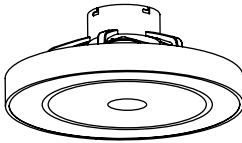
Sprawdź, czy w opakowaniu znajdują się wymienione poniżej elementy.



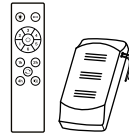
Uchwyt
montażowy



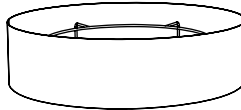
Śruby



Korpus główny



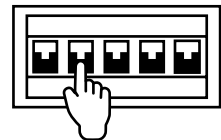
Pilot i odbiornik



Panel lampy

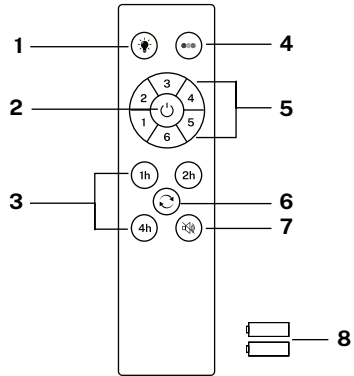


UWAGA! Przed rozpoczęciem montażu należy odłączyć zasilanie z tablicy elektrycznej, aby uniknąć porażenia prądem elektrycznym.



PILOT

1. Światło
2. Włącznik / wyłącznik
3. Regulator czasowy
4. Kontrola temperatury barwowej
5. Sterowanie intensywnością wentylatora
6. Funkcja odwrotna
7. Przycisk wyłączania dźwięku
8. Baterie (2 x AAA)



Parowanie kontrolera

1. Wyłącz główny włącznik światła w pomieszczeniu, w którym zainstalowano wentylator, na co najmniej 10 sekund.
2. Włącz włącznik, a usłyszysz sygnał dźwiękowy, w ciągu 3 sekund naciśnij i przytrzymaj przycisk włączania/wyłączania, aż usłyszysz sygnał dźwiękowy.
3. Jeśli proces parowania nie powiedzie się, powtórz powyższe kroki ponownie po wyłączeniu przełącznika ściennego na co najmniej 1 minutę.

ŚWIATŁO

Włącz i wyłącz światło wentylatora, mimo wszystko niezależnie od tego, czy wentylator działa, czy nie.

TEMPERATURA KOLORU

Przełącza pomiędzy trzema rodzajami dostępnych temperatur barwowych światła (ciepła, neutralna i chłodna).

WŁ. WYŁ

Całkowicie włączyć lub wyłączyć wentylator, mimo wszystko niezależnie od tego, czy światło jest włączone, czy nie.

INTENSYWNOŚĆ WENTYLATORA

Zwiększa lub zmniejsza prędkość obrotową łopatek wentylatora.

1h REGULATOR CZASOWY

Zaplanuj automatyczne wyłączenie, wybierając jedną z dostępnych opcji.

FUNKCJA ODWROTNA

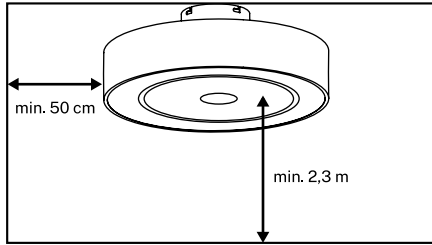
Zmienia kierunek obrotu łopatek wentylator. Funkcja zimowa (obróć w prawo) wypycha zgromadzone w suficie gorące powietrze w dół, a funkcja letnia (obróć w lewo) generuje bryzę chłodzącą otoczenie.

WYŁĄCZ DŹWIĘK

Naciskając przycisk wyłączania dźwięku, można wyciszyć dźwięki wydawane przez wentylator po naciśnięciu dowolnego klawisza na pilocie.

INSTRUKCJE INSTALACJI

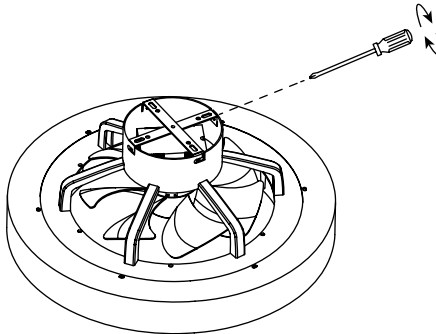
PRZYGOTOWANIE DO INSTALACJI



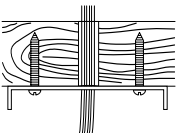
- Aby uniknąć obrażeń ciała i zapewnić dobry przepływ powietrza, upewnij się, że miejsce, w którym zamierzasz zawiesić wentylator, pozwala na umieszczenie produktu w odległości co najmniej 2,3 m od podłogi i 50 cm od najbliższej ściany lub przeszkody.
- Upewnij się, że wspornik montażowy jest odpowiednio przymocowany do konstrukcji budynku i może wytrzymać cały ciężar wentylatora.

MONTAŻ UCHWYTU MONTAŻOWEGO

- Odkręć uchwyt montażowy od korpusu głównego wentylatora.

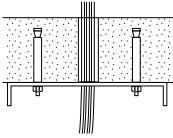


- Upewnij się, że sufit, na którym chcesz zamontować wentylator, jest stabilny i może bezpiecznie utrzymać ciężar wentylatora.
- Nie mocuj uchwytu montażowego bezpośrednio do sufitów o wysokości mniejszej niż 10 mm, aby uniknąć ryzyka poluzowania się i wypadnięcia śruby.
- Zaznacz właściwe położenie otworów i zamocuj uchwyt montażowy za pomocą śrub z kotwami metalowymi lub śrub i podkładek odpowiednich do wybranego rodzaju sufitu.



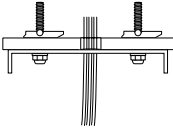
Dach drewniany

Wywierć niezbędne otwory, a następnie przymocuj uchwyt montażowy do łączników sufitowych za pomocą wkrętów do drewna i podkładek.



Sufit betonowy

Wywierć otwory wiertłem 8 mm, w zależności od długości śrub rozporowych. Następnie przymocuj uchwyt montażowy do sufitu za pomocą śrub rozporowych.



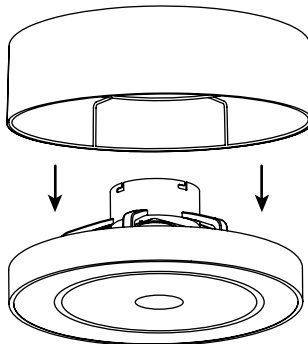
Sufit podwieszany

Wywierć niezbędne otwory, a następnie przymocuj uchwyt montażowy za pomocą specjalnych sprężynowych śrub mocujących przeznaczonych do sufitów podwieszanych.

- Po zamontowaniu uchwyty montażowego należy sprawdzić poprawność montażu przed zawieszeniem wentylatora. Uchwyt montażowy musi utrzymać cały ciężar wentylatora.

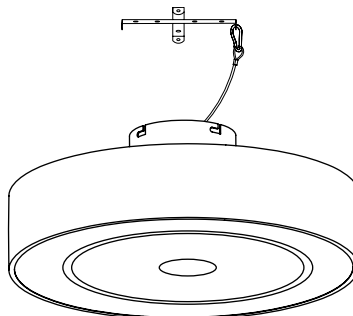
MONTOWANIE PANELU

Włóż panel lampy od góry korpusu głównego. Upewnij się, że jest prawidłowo włożony, a dolne części znajdują się na tym samym poziomie.

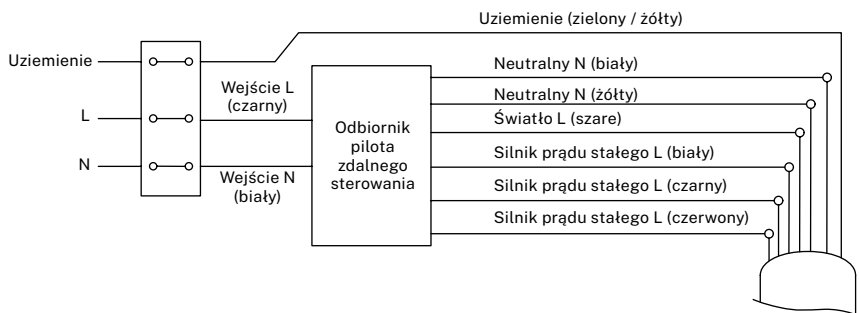


PODŁĄCZENIE OKABLOWANIA

Przed podłączeniem okablowania należy przymocować wentylator do wspornika montażowego za pomocą karabińczyka i linki stalowej, jak pokazano poniżej.

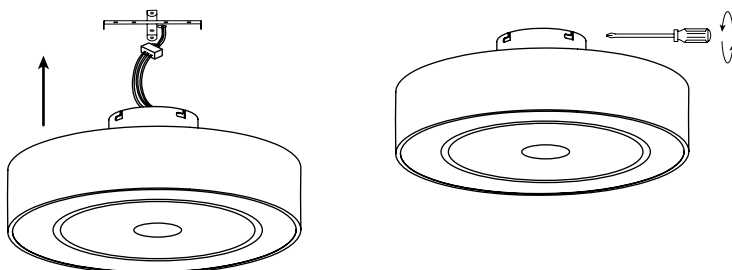


Podłącz przewody odbiornika do przewodów silnika wentylatora, postępując zgodnie ze wskazaniami kolorów. Upewnij się, że połączenie jest bezpieczne.



POŁĄCZENIE Z UCHWYTEM MONTAŻOWYM

Za pomocą śrubokręta przykręć wentylator do uchwyту montażowego. Po wykonaniu tej czynności wentylator będzie zainstalowany.



SPRAWDŹ INSTALACJĘ

- Sprawdź, czy wentylator sufitowy działa prawidłowo, upewniając się, że żadna jego część nie wykonuje dziwnego ruchu lub nie jest źle ustawiona.

POŁĄCZENIE Z APLIKACJĄ

* Tylko dla modeli z Wi-Fi



- Aplikacja CREATE HOME jest dostępna zarówno dla systemu Android, jak i iOS (wyszukaj aplikację w Google Play lub App Store albo zeskanuj kod QR). W zależności od dostawcy, pobranie aplikacji może wiązać się z kosztami.
- Dzięki aplikacji można obsługiwać urządzenie za pośrednictwem sieci domowej. Podstawowym wymogiem jest zawsze połączenie sieci Wi-Fi z routerem 2,4 Gh i bezpłatną aplikacją CREATE. (Dostawcy Internetu oferują obecnie jednocześnie zarówno 5 Gh, jak i 2,4 Gh).

- Zalecamy odłączenie urządzenia od zasilania, gdy jesteś poza domem, aby uniknąć niezamierzonego włączenia podczas nieobecności.

JAK POŁĄCZYĆ SIĘ Z APLIKACJĄ

1. Zainstaluj aplikację CREATE i utwórz konto użytkownika.
2. Ustaw hasło logowania i zaloguj się do aplikacji.
3. Kliknij „Dodaj urządzenie” (+), a następnie kliknij kategorię wentylatora sufitowego.



- Możesz także wybrać opcję “Skanuj QR”, aby dodać urządzenie bezpośrednio.

4. Na pilocie naciśnij i przytrzymaj przyciski 1H i 4H przez około 5 sekund, aż usłyszysz sygnał dźwiękowy.
5. Następnie kliknij „Potwierdź”.
6. Wprowadź hasło do sieci Wi-Fi i potwierdź.
7. Podczas łączenia upewnij się, że router, telefon komórkowy i urządzenie znajdują się jak najbliżej. Na koniec wentylator sufitowy zostanie pomyślnie dodany do aplikacji CREATE.



Zgodnie z dyrektywami: 2012/19 / UE i 2015/863 / UE w sprawie ograniczenia stosowania niebezpiecznych substancji w sprzęcie elektrycznym i elektronicznym, a także ich usuwania. Symbol z przekreślonym pojemnikiem na śmieci pokazany na opakowaniu oznacza, że produkt pod koniec okresu użytkowania będzie zbierany jako osobny odpad. Dlatego każdy produkt, który osiągnął koniec okresu użytkowania, musi zostać dostarczony do wyspecjalizowanych centrów usuwania odpadów w celu selektywnej zbiórki zużytego sprzętu elektrycznego i elektronicznego lub zwrócony do sprzedawcy przy zakupie podobnego nowego sprzętu, w jednym dla jednej bazy. Właściwa selektywna zbiórka w celu późniejszego uruchomienia sprzętu przeznaczonego do recyklingu, obróbki i utylizacji w sposób przyjazny dla środowiska pomaga zapobiegać potencjalnym negatywnym skutkom dla środowiska i zdrowia oraz optymalizuje recykling i ponowne użycie elementy składające się na urządzenie. Niewłaściwe usunięcie produktu przez użytkownika oznacza nałożenie sankcji administracyjnych zgodnie z prawem.

CREATE



FR

Cet appareil
se recycle

À DÉPOSER
EN MAGASIN



À DÉPOSER
EN DÉCHÈTERIE



OU

Points de collecte sur www.quefairedemesdechets.fr
Privilégiez la réparation ou le don de votre appareil !

RACCOLTA CARTA
Verifica le disposizioni
del tuo Comune.



RoHS



/ Made in China