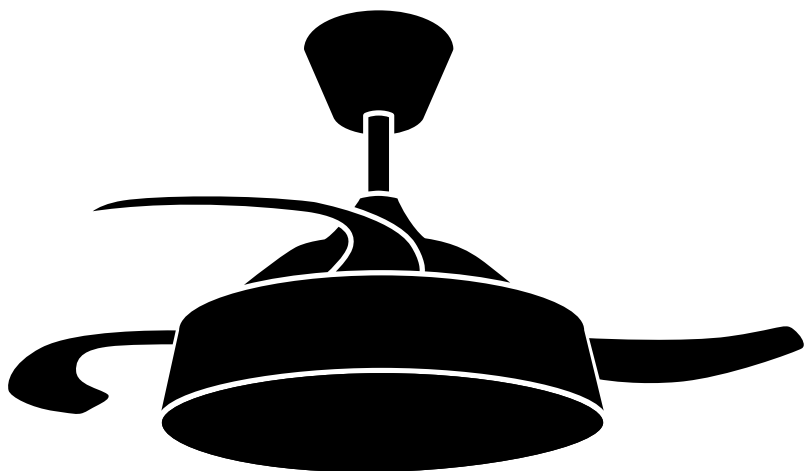


# CREATE



## Wind Clear Contour

---

User manual | Manual de instrucciones





# CREATE

## INDEX

---

### ENGLISH

Location and installation requirements	6
Mechanic tips	6
Electrical Tips	6
Security instructions	7
Parts list	8
Remote control	8
Installation instructions	9
Installation Preparation	9
Installing the mounting bracket	10
Downrod installation	10
Suspension System Installation	11
Hanging the fan	12
Placement of the light panel	13
Fixing the decorative screen	13
Check the installation	13
Connection to the app	14
How to connect to the app	14

### PORTUGUÊS

Requisitos de localização e instalação	24
Dicas de mecânico	24
Dicas elétricas	24
Instruções de segurança	25
Lista de peças	26
Controle remoto	26
Instruções de instalação	27
Preparação da instalação	27
Instalando o suporte de montagem	28
Instalando a barra de suspensão	28
Instalação do Sistema de Suspensão	29
Pendurar a ventoinha	30
Colocação do painel luminoso	31
Fixação da tela decorativa	31
Verificar a instalação	31
Conexión a la app	32
Como se conectar ao aplicativo	32

### ESPAÑOL

Requisitos de ubicación e instalación	15
Consejos mecánicos	15
Consejos eléctricos	15
Instrucciones de seguridad	16
Lista de piezas	17
Mando a distancia	17
Instrucciones de instalación	18
Preparación de la instalación	18
Instalación del soporte de montaje	19
Preparación de la ubicación del ventilador	19
Instalación del sistema de suspensión	20
Colgar el ventilador	21
Colocación del panel de luz	22
Fijación de la pantalla decorativa	22
Comprobar la instalación	22
Conexión a la app	23
Cómo conectarse a la app	23

### FRANÇAIS

Exigences d'emplacement et d'installation	33
Conseils de mécanicien	33
Conseils électriques	33
Consignes de sécurité	34
Liste des pièces	35
Télécommande	35
Instructions d'installation	36
Préparation de l'installation	36
Installation du support de montage	37
Installation de la barre de suspension	37
Installation du système de suspension	38
Suspension du ventilateur	39
Placement du panneau lumineux	40
Fixation de l'écran décoratif	40
Vérifier l'installation	40
Connexion à l'application	41
Comment se connecter à l'application	41

### ITALIANO

Requisiti di posizione e installazione	42
Consigli del meccanico	42
Suggerimenti elettrici	42
Istruzioni di sicurezza	43
Elenco delle parti	44
Telecomando	44
Istruzioni per l'installazione	45
Preparazione all'installazione	45
Installazione della staffa di montaggio	46
Installazione della barra di sospensione	46
Installazione del sistema di sospensione	47
Appendere il ventilatore	48
Posizionamento del pannello luminoso	49
Fissare lo schermo decorativo	49
Controllare l'installazione	49
Connessione all'app	50
Come connettersi all'app	50

### NEDERLANDS

Locatie-en installatievereisten	60
Mechanische tips	60
Elektrische tips	60
Beveiligingsinstructies	61
Onderdelen lijst	62
Afstandsbediening	62
Installatie instructies	63
Installatie voorbereiding	63
Het installeren van de montagebeugel	64
De locatie van de ventilator voorbereiden	64
Installatie ophangstelsysteem	65
De ventilator ophangen	66
Plaatsing van het lichtpaneel	67
Het decoratieve scherm bevestigen	67
Controleer de installatie	67
Verbinding met de app	68
Hoe u verbinding maakt met de app	68

### DEUTSCH

Standort- und Installationsanforderungen	51
Tipps für Mechaniker	51
Elektrische Tipps	51
Sicherheitshinweise	52
Liste der Einzelteile	53
Fernbedienung	53
Installationsanleitung	54
Installationsvorbereitung	54
Montage der Montagehalterung	55
Aufhängungsstange einbauen	55
Installation des Aufhängungssystems	56
Aufhängen des Ventilators	57
Platzierung der Leuchtplatte	58
Befestigung der Zierblende	58
Überprüfen Sie die Installation	58
Verbindung zur App	59
So stellen Sie eine Verbindung zur App her	59

### POLSKI

Wymagania dotyczące lokalizacji i instalacji	69
Wskazówki mechanika	69
Wskazówki elektryczne	69
Instrukcje bezpieczeństwa	70
Lista części	71
Pilot	71
Instrukcje Instalacji	72
Przygotowanie do instalacji	72
Montaż wspornika montażowego	73
Przygotowanie lokalizacji wentylatora	73
Instalacja systemu zawieszenia	74
Wieszanie wentylatora	75
Umieszczenie panelu świetlnego	76
Mocowanie ekranu dekoracyjnego	76
Sprawdź instalację	76
Połączenie z aplikacją	77
Jak połączyć się z aplikacją	77

Thank you for choosing our ceiling fan. Before using the appliance, and to ensure the best use, carefully read these instructions.

The safety precautions enclosed herein reduce the risk of death, injury and electrical shock when correctly adhered to. Keep the manual in a safe place for future reference, along with the completed warranty card, purchase receipt and package. If applicable, pass these instructions on to the next owner of the appliance. Always follow basic safety precautions and accident-prevention measures when using an electrical appliance. We assume no liability for customer failing to comply with these requirements.

## LOCATION AND INSTALLATION REQUIREMENTS

---

### MECHANIC TIPS

- According to safety regulations, the lowest point of the fan blade must be at least 2.3m (7 feet) from the floor.
- Please make sure the chosen location will not allow the rotating fan blades to come into contact with any objects.
- Ensure ceiling joists are sound and are large and strong enough to support the weight of the fan.
- To reduce the risk of fire, electric shock or personal injury, ensure that the fan mounting bracket is attached directly to the building structure. Do not mount to an outlet box.
- The mounting bracket must be firmly screwed to a load bearing structure, e.g. a concrete ceiling, steel structure or timber frame. If a timber frame is added, it must be securely nailed or screwed between two beams.
- To reduce risk of personal injury and property damage, do not bend or damage the downrod or the fan blades when handling or installing them. If you notice any product imperfections, please contact our after-sales service before proceeding to install the fan.
- Make sure the ceiling fan is securely fastened to the ceiling. All set screws must be checked and re-tightened where necessary before fan operation.

### ELECTRICAL TIPS

- Turn off the power before performing any work on the ceiling fan and turn off the power breaker. To avoid possible electrical shock, check that the power is turned off at the fuse box or circuit breaker panel before wiring.
- The fan, mounting bracket and lighting equipment must be connected to a ground. Check that all splices are well insulated.
- Check and confirm that all connections are correct and secure. Once all electrical connections have been made, store all cables securely.
- Do not attempt to control this fan from a wall switch or remote control that is not approved by the manufacturer for use with the fan. Do not use a solid state controller. Use of a non-approved wall switch or remote control will void your warranty.
- Do not connect the ceiling fan to a dimmer switch.

## SECURITY INSTRUCTIONS

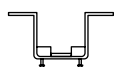
---

Before using any electrical device, carefully read the basic safety measures:

- This appliance is not intended for use by persons with physical, sensory or mental disabilities, or by persons with a lack of experience and knowledge, unless they are supervised or have received instructions regarding its safe use and understand the potential hazards associated with it.
- Children do not recognize the dangers associated with operating a ceiling fan. Keep children away from ceiling fans.
- Do not expose the ceiling fan to rain or moisture. Do not operate the ceiling fan outdoors or with wet hands.
- Use only CREATE replacement parts.
- To reduce the risk of bodily injury, attach the fan directly to the supporting structure of the building following these instructions and use only the supplied hardware.
- To avoid possible electrical shock, before installing the fan, disconnect power by turning off the circuit breakers at the outlet box and the associated wall switch location. If you cannot lock the circuit breakers in the off position, place a prominent notice, such as a tag, on the service panel.
- To reduce the risk of bodily injury, do not bend the blade mounting system when installing, balancing, or cleaning the fan. Never insert foreign objects between the rotating fan blades.
- To reduce the risk of fire, or motor damage, do not use a solid state speed control with this fan. Use only CREATE speed controls.

**Note:** Important safety precautions and instructions in this manual are not intended to cover all conditions and situations that may occur. When installing and operating this fan, common sense and caution are necessary.

## PARTS LIST



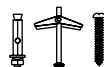
Support mounting



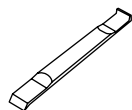
Rosette



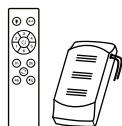
Magnetic decorative cover



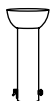
Screws



Lever



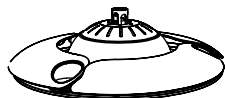
Remote control & Driver



Bar



Bar of extension



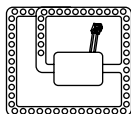
Fan body (Motor)



Lamp panel



Trim



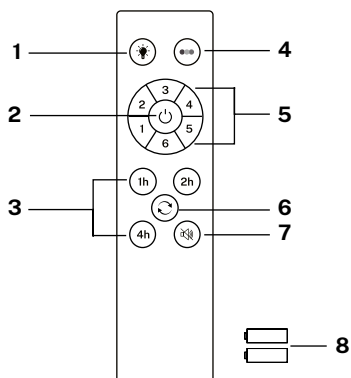
Light plate



Tulip

## REMOTE CONTROL

1. Light
2. ON/OFF button
3. Timer
4. Color temperature control
5. Fan intensity control
6. Reverse function
7. Sound off button
8. Batteries (2 x AAA)



### Controller pairing

1. Turn off the main light switch in the room where you have installed your fan for at least 10 seconds.
2. Turn the switch on and you will hear a beep, within 3 seconds, press and hold the on/off button until you hear a beep.
3. If the pairing process is unsuccessful, repeat the above steps again after turning off the wall switch for at least 1 minute.



### LIGHT

Turns the fan light on and off regardless of whether the fan is running or not.



### COLOUR TEMPERATURE

Toggles between the three types of available light colour temperatures (warm, neutral, and cool).



### ON/OFF

Turns the fan on or off completely, regardless of whether it has the light on or off.



### FAN INTENSITY

Increase or decrease the rotation speed of the fan blades.



### TIMER

Schedule automatic shutdown by choosing from the available options.



### DISABLE SOUND

By pressing the sound off button you can silence the sounds that the fan makes when you press any key on the remote control.



### REVERSE FUNCTION

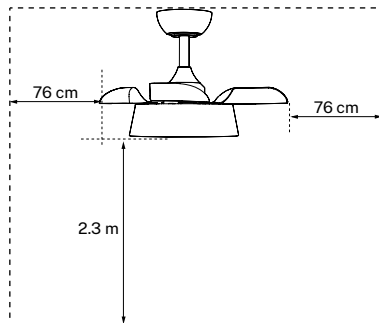
Change the direction of rotation of the fan blades. The winter function (turn to the right) forces the hot air accumulated in the ceiling downwards and the summer function (turn to the left) generates a breeze that cools the environment.

## INSTALLATION INSTRUCTIONS

- Mark the correct position of the holes and fix the ceiling bracket using the screws with metal anchors or screws and washers appropriate to the type of ceiling chosen.
- Check the correct installation of the bracket before hanging the fan. This plate must support the entire weight of the fan.

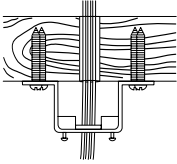
### INSTALLATION PREPARATION

- To avoid personal injury and injury, make sure that the place where you are going to hang the fan allows the blades to be 2.3 m or more from the ground and 76 cm from the nearest wall or obstacle.
- Make sure the junction box is adequately fastened to the building structure and can support the full weight of the fan.



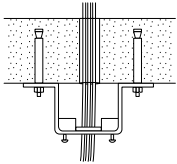
## INSTALLING THE MOUNTING BRACKET

- Check that the ceiling where you intend to mount the fan is stable and capable of safely supporting the weight of the fan.
- Do not fix the mounting bracket directly on ceilings less than 10mm to avoid the risk of the screw loosening and coming out.
- Mark the correct position of the holes and fix the ceiling bracket using screws with metal anchors or screws and washers suitable for the chosen ceiling type.



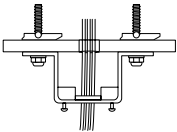
### Wood roof

Drill the necessary holes and then secure the mounting bracket with the wood screws and washers to the ceiling joints.



### Concrete roof

Drill holes with an 8mm drill bit, according to the length of the expansion screws. Next, secure the mounting bracket to the ceiling with the expansion screws.



### False ceiling

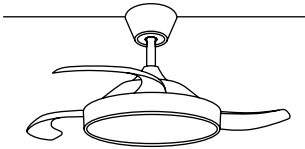
Drill the necessary holes and then fix the mounting bracket with the special spring lever fixing screws for use in false ceilings.

- Once the fixing bracket is installed, check its correct installation before hanging the fan. The mounting bracket must support the full weight of the fan.

## DOWNROD INSTALLATION

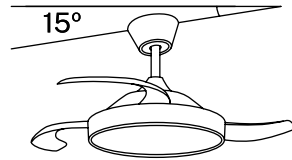
- Choose the suspension bar that best suits your situation.
- Remove the bar bolt, removing the pin, and pass the canopy (roof trim) and the engine canopy through the suspension bar. Next, route the fan motor cables through the inside of the suspension bar. Tighten the suspension bar to the engine and insert the bolt and pin.

### Standard mounting



Standard mounting hangs from the ceiling by a downrod.

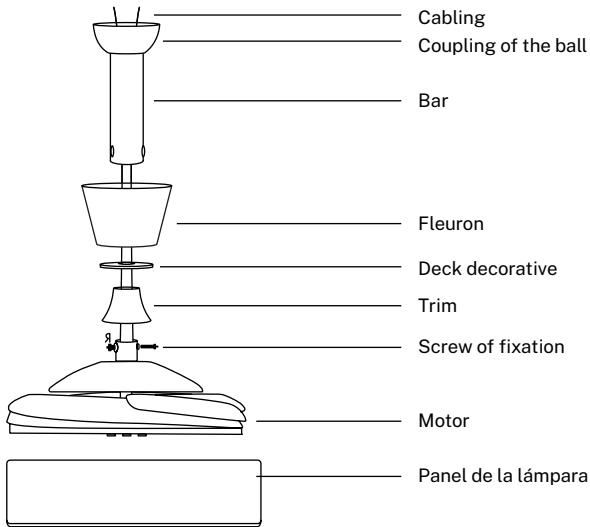
### Angle mounting



Angled mounting recommended for a vaulted or angled ceiling.

This fan can be installed on both a regular and vaulted ceiling, and can extend the hanging length with the longer hanging rod (supplied). To install the hanger bar you will need the following tools: a screwdriver, flat head screwdriver, adjustable pliers or wrench, step ladder, wire cutters, and electrical tape.

## SUSPENSION SYSTEM INSTALLATION

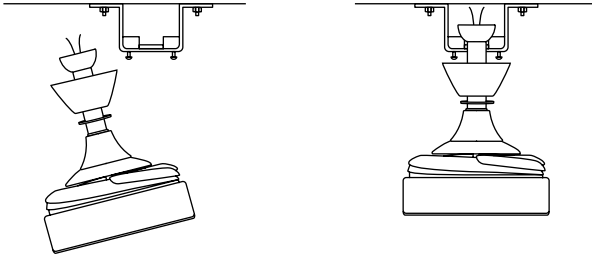


- If you want to extend the hanging length of your fan, remove the ball from the hanger rod and use the additional extension rod (included).
- If you want to use the extension bar, follow the following instructions:
  1. To remove the ball from the suspension rod, loosen the set screw and remove the cotter pins.
  2. Lower the ball and remove the locking pin.
  3. Take the ball out of the hanger bar and insert it into the longer hanger bar (the top of the bar has a hole for the set screw; use this to secure the bar).
  4. Insert the locking pin into the end of the suspension rod and raise the ball. Make sure the locking pin is aligned with the grooves inside the ball and secure the set screw.

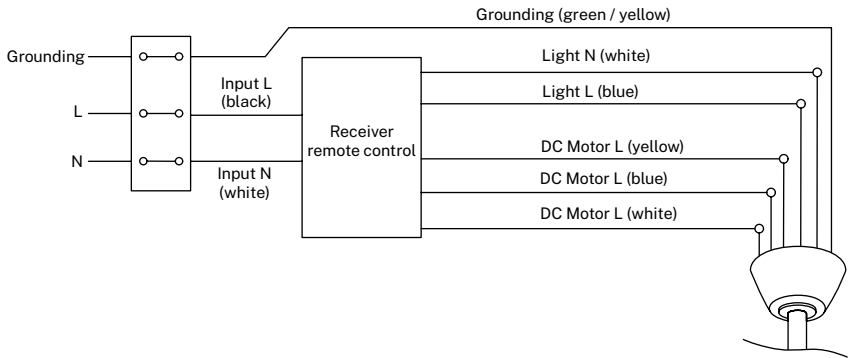
**Advice:** To make it easier to insert the wires into the bar, place some electrical tape around the wires. This will help you keep them together as you insert them into the bar.

5. Loosen the mounting screws and washer from the top of the motor housing. Remove the bar pins (if you haven't already). Insert the rosette through the bar.
6. Thread the cables through the bar and pull the excess cables from the top of the bar to tighten them.
7. Place the bar inside the motor housing and insert the pins you removed earlier. Tighten the set screws and washers.
8. Loosen and remove the motor screws, position the lamp panel by aligning the corresponding holes, and reinsert and tighten the screws to secure the panel properly.
9. Lower the canopy towards the motor housing.

## HANGING THE FAN

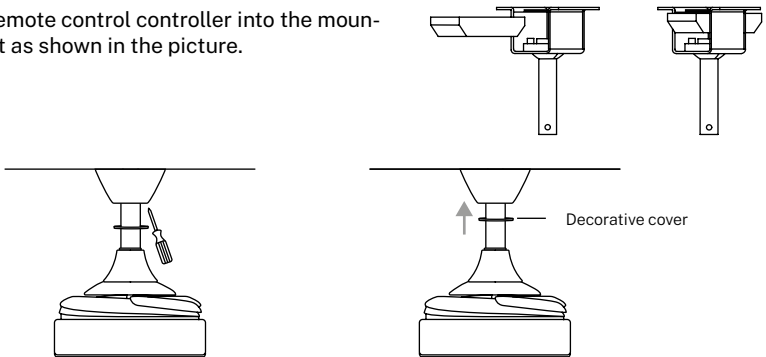


1. Place the downpipe with the suspension ball into the mounting bracket, rotate the motor assembly until the check tab on the mounting bracket has fallen into the registration groove of the suspension ball and is firmly seated.



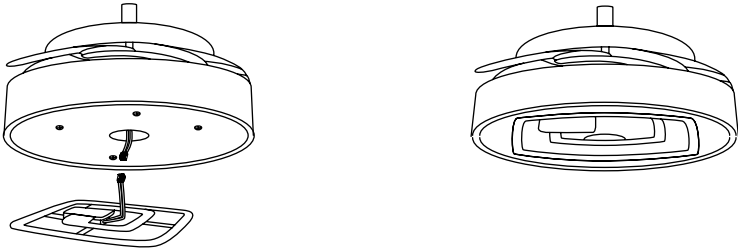
2. Make the connection between the wires of the receiver and the wires of the fan motor according to the colour indications. Make sure that the connection is tight.

3. Insert the remote control controller into the mounting bracket as shown in the picture.



4. Lift the rosette up to the ceiling to cover the mounting bracket (make sure the rosette sits on the two screws of the bracket), turn the rosette to make sure the head of the screw is at the end of the holes of the bracket and finally tighten the screws until it is securely fastened. Then lift up the magnetised decorative cover to cover the screws on the rosette.

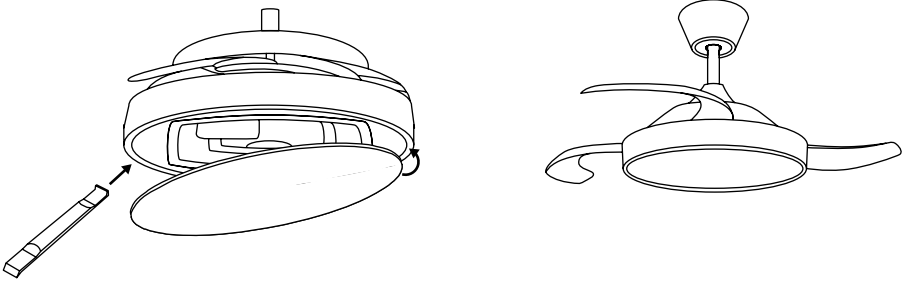
## PLACEMENT OF THE LIGHT PANEL



Connect the wires from the connection board with the wires from the LED panel. The LED panel is magnetised so it attaches to the connection board by simply snapping the two pieces together.

**Note:** While installing or removing the LED board, be careful not to touch the insulating tabs. Do not over-tighten the screws or screw them in quickly as this may cause damage to the insulating tabs.

## FIXING THE DECORATIVE SCREEN



Place the lampshade so that one end rests on the edge of the fan body. To fit the rest of the piece, insert the tip of the lever into the remaining gap and use it to gently push the retaining tab backwards. This will allow the lampshade to slide into its final position. Once you hear the 'click' and check that the part is secure, you can connect the power and enjoy your new fan with light.

## CHECK THE INSTALLATION

- Check the correct operation of the ceiling fan, checking for any strange movement or misalignment of any part of the fan.
- If any humming/vibration is noticeable, you can proceed to adjust the blades with the balancing kit.
- Self-adhesive counterweights and u-shaped clips are available in this kit.

## CONNECTION TO THE APP

\* Only for models with Wi-Fi



- The CREATE HOME app is available for both Android and iOS (search for the app on Google Play or App Store or scan the QR code). Depending on the provider, there may be costs involved in downloading the app.
- With the app you can operate the device via your home network. A prerequisite is a permanent wifi connection to your 2.4 Gh router and the free CREATE HOME app. (Internet providers currently offer both 5Gh and 2.4Gh simultaneously.)
- We recommend disconnecting the device from the power supply when you are away from home to avoid unintentional switching on while you are away.

### HOW TO CONNECT TO THE APP

1. Install the CREATE app and create a user account.
2. Set a login password and log in to the app.
3. Click “Add Device” (+) and then click the category for the ceiling fan.



- You can also select the “Scan QR” option to add the device directly.

4. On the remote control, press and hold the 1H and 4H buttons for about 5 seconds until you hear a beep.
5. Next, click “Confirm”.
6. Enter your Wi-Fi network password and confirm.
7. While connecting, make sure your router, mobile phone and device are as close as possible. Finally, the ceiling fan will be successfully added to your CREATE application.



In compliance with Directives: 2012/19/EU and 2015/863/EU on the restriction of the use of dangerous substances in electric and electronic equipment as well as their waste disposal. The symbol with the crossed dustbin shown on the package indicates that the product at the end of its service life shall be collected as separate waste. Therefore, any products that have reached the end of their useful life must be given to waste disposal centres specialising in separate collection of waste electrical and electronic equipment, or given back to the retailer at the time of purchasing new similar equipment, on a one for one basis. The adequate separate collection for the subsequent start-up of the equipment sent to be recycled, treated and disposed of in an environmentally compatible way contributes to preventing possible negative effects on the environment and health and optimises the recycling and reuse of components making up the apparatus. Abusive disposal of the product by the user involves application of the administrative sanctions according to the laws.

Gracias por elegir nuestro ventilador de techo. Antes de utilizar este electrodoméstico y para asegurar su mejor uso, por favor, lea detenidamente las instrucciones.

Las medidas de seguridad aquí indicadas reducen el riesgo de incendio, descarga eléctrica y lesiones cuando se siguen correctamente. Guarde el manual en un lugar seguro para futuras referencias, así como la garantía, el recibo de compra y la caja. Si procede, entregue estas instrucciones al futuro propietario del electrodoméstico. Siempre siga las instrucciones básicas de seguridad y las medidas de prevención de riesgos cuando utilice un electrodoméstico eléctrico. El fabricante no se responsabilizará de ningún daño derivado del incumplimiento de estas instrucciones por parte del usuario.

## REQUISITOS DE UBICACIÓN E INSTALACIÓN

---

### CONSEJOS MECÁNICOS

- Conforme a la normativa en materia de seguridad, el punto más bajo de las aspas del ventilador debe distar como mínimo 2,3 metros del suelo.
- Asegúrese de que la ubicación elegida no permita que las aspas giratorias entren en contacto con ningún objeto.
- Compruebe que las vigas del techo sean seguras y lo suficientemente grandes y fuertes como para soportar el peso del ventilador.
- Para reducir el riesgo de incendio, descarga eléctrica o lesión corporal, compruebe que el soporte de montaje del ventilador esté fijado directamente a la estructura del edificio. No lo monte en una caja de distribución.
- El soporte de montaje debe estar bien atornillado a una estructura portante, como un techo de hormigón, una estructura de acero o un marco de madera. Si se añade un marco de madera, este debe clavarse o atornillarse de forma segura entre dos vigas.
- Para reducir el riesgo de daños corporales y materiales, no doble ni dañe la varilla vertical o las aspas del ventilador al manipularlo o instalarlo. Si detecta algún deterioro en el producto, contacte con nuestro servicio posventa antes de proceder a la instalación del ventilador.
- Asegúrese de que el ventilador esté bien sujeto al techo. Todos los tornillos de fijación deben revisarse y volverse a apretar siempre que sea necesario antes de poner en marcha el ventilador.

### CONSEJOS ELÉCTRICOS

- Corte la electricidad antes de realizar cualquier tarea en el ventilador de techo y apague el disyuntor de alimentación de la electricidad. Para evitar posibles descargas eléctricas, compruebe que la electricidad esté cortada en la caja de fusibles o el panel de disyuntores antes de proceder al cableado.
- El ventilador, el soporte de montaje y el equipo de iluminación deben conectarse a una toma de tierra. Compruebe que todos los empalmes estén bien aislados.
- Compruebe y confirme que todas las conexiones sean correctas y seguras. Una vez realizadas todas las conexiones eléctricas, guarde bien todos los cables.
- No trate de controlar este ventilador desde un interruptor de pared o un mando a distancia que no estén homologados por el fabricante para su uso con el ventilador. No use un controlador de estado sólido. El uso de un interruptor de pared o de un mando a distancia no homologados anulará la garantía.
- No conecte el ventilador de techo a un regulador de intensidad.

## INSTRUCCIONES DE SEGURIDAD

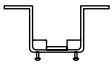
---

Antes de utilizar cualquier aparato eléctrico lea detenidamente las medidas de seguridad básicas:

- Este aparato no está previsto para ser utilizado por personas con discapacidad física, sensorial o mental, ni por personas con falta de experiencia y conocimientos, salvo que se encuentren bajo supervisión o hayan recibido instrucciones relacionadas con su uso seguro y entiendan los peligros potenciales asociados.
- Los niños no reconocen los peligros derivados del accionamiento de un ventilador de techo. Mantenga a los niños alejados de los ventiladores de techo.
- No exponga el ventilador de techo a la lluvia o la humedad. No accione el ventilador de techo en exteriores ni con las manos húmedas.
- Utilice únicamente piezas de recambio CREATE.
- Para reducir el riesgo de sufrir lesiones corporales, fije el ventilador directamente a la estructura portante del edificio siguiendo estas instrucciones y utilice solamente los accesorios suministrados.
- Para evitar posibles descargas eléctricas, antes de instalar el ventilador, desconecte la corriente apagando los disyuntores de la caja de distribución y la ubicación del interruptor mural asociado. Si no puede bloquear los disyuntores en la posición de apagado, coloque un aviso destacado, como una etiqueta, en el panel de servicio.
- Para reducir el riesgo de sufrir lesiones corporales, no doble el sistema de fijación de las aspas cuando instale, equilibre o limpie el ventilador. Nunca inserte objetos extraños entre las aspas giratorias del ventilador.
- Para reducir el riesgo de incendio, o daños en el motor, no utilice un control de velocidad de estado sólido con este ventilador. Utilice únicamente controles de velocidad de CREATE.

**Nota:** Las medidas de seguridad importantes y las instrucciones de este manual no están previstas para cubrir todas las condiciones y situaciones que pudiesen producirse. Al instalar y accionar este ventilador, es necesario utilizar el sentido común y la precaución.

## LISTA DE PIEZAS



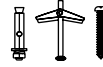
Soporte de montaje



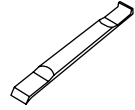
Florón



Cubierta magnética decorativa



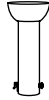
Tornillos



Palanca



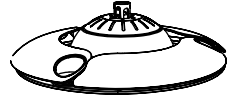
Mando a distancia & controlador



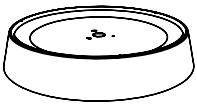
Barra



Barra de extensión



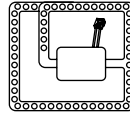
Cuerpo del ventilador (Motor)



Panel de la lámpara



Embellecedor



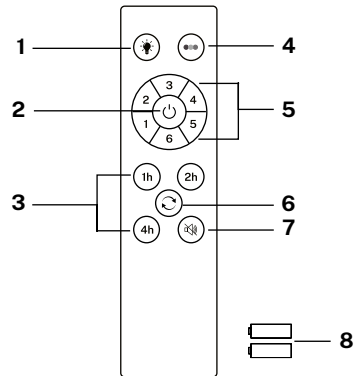
Placa de luz



Tulipa

## MANDO A DISTANCIA

1. Luz
2. Botón ON / OFF
3. Temporizador
4. Control temperatura de color
5. Control de intensidad del ventilador
6. Función reverse
7. Botón desactivar sonido
8. Pilas (2 x AAA)



### Emparejamiento del mando

1. Apague el interruptor principal de la luz de la estancia donde ha instalado su ventilador durante al menos 10 segundos.
2. Encienda el interruptor y oirá un pitido, antes de que transcurran 3 segundos, mantenga pulsado el botón de on/off hasta que escuche un pitido.
3. Si el proceso de emparejamiento no tiene éxito, repita de nuevo los pasos anteriores después de apagar el interruptor de pared durante al menos 1 minuto.

## LUZ

Enciende y apaga la luz del ventilador, independientemente de si el ventilador está en marcha o no.

## ENCENDIDO/APAGADO

Enciende o apaga el ventilador por completo, independientemente de si tiene la luz encendida o no.

## 1h TEMPORIZADOR

Programa el apagado automático eligiendo entre las opciones disponibles.

## FUNCIÓN REVERSE

Cambia la dirección de giro de las aspas del ventilador. La función invierno (giro hacia la derecha) impulsa el aire caliente acumulado en el techo hacia abajo y la función verano (giro hacia la izquierda) genera una brisa que refresca el ambiente.

## TEMPERATURA DE COLOR

Alterna entre los tres tipos de temperatura de color de la luz disponibles (cálida, neutra y fría).

## INTENSIDAD DEL VENTILADOR

Aumenta o disminuye la velocidad de giro de las aspas del ventilador.

## DESACTIVAR SONIDO

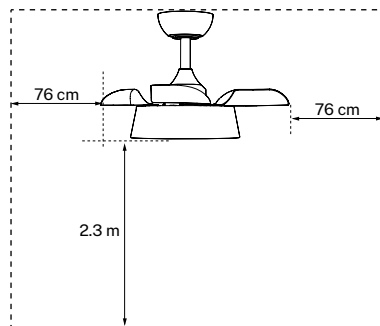
Pulsando el botón de desactivar sonido podrá silenciar los sonidos que emite el ventilador cuando se presiona cualquier tecla del mando.

## INSTRUCCIONES DE INSTALACIÓN

- Marque la posición correcta de los agujeros y fije el soporte de techo utilizando los tornillos con anclaje metálico o tornillos y arandelas adecuados al tipo de techo elegido.
- Verifique la correcta instalación del soporte antes de colgar el ventilador. Esta placa debe de soportar todo el peso del ventilador.

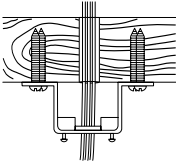
### PREPARACIÓN DE LA INSTALACIÓN

- Para evitar daños personales y heridas, asegúrese de que el lugar donde va a colgar el ventilador permite que las aspas estén a una distancia igual o superior a 2,3 m del suelo y 76 cm de la pared o del obstáculo más cercano.
- Asegúrese de que la caja de conexiones está sujeta de manera adecuada a la estructura del edificio y que puede aguantar todo el peso del ventilador.



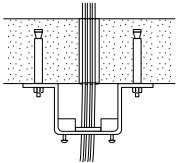
## INSTALACIÓN DEL SOPORTE DE MONTAJE

- Compruebe que el techo donde desea montar el ventilador es estable y capaz de soportar con seguridad el peso del ventilador.
- No fije el soporte de montaje directamente en techos de menos de 10 mm para evitar el riesgo de que el tornillo se afloje y se salga.
- Marque la posición correcta de los agujeros y fije el soporte de techo utilizando los tornillos con anclaje metálico o tornillos y arandelas adecuados al tipo de techo elegido.



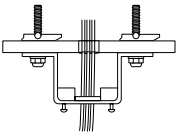
### Techo de madera

Realice los agujeros necesarios y después fije el soporte de montaje con los tornillos y las arandelas para madera en las uniones del techo.



### Techo de hormigón

Realice orificios con una broca de 8 mm, de acuerdo con la longitud de los tornillos de expansión. Seguidamente, fije el soporte de montaje al techo con los tornillos de expansión.



### Falso techo

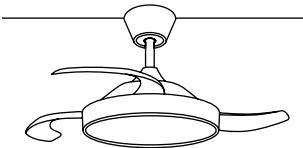
Realice los agujeros necesarios y después fije el soporte de montaje con los tornillos de fijación con palanca de resorte especiales para utilizar en falso techo.

- Una vez instalado el soporte de fijación, verifique su correcta instalación antes de colgar el ventilador. El soporte de montaje debe de soportar todo el peso del ventilador.

## PREPARACIÓN DE LA UBICACIÓN DEL VENTILADOR

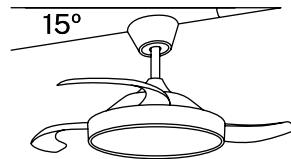
- Elija la barra de suspensión que más se adapte a su situación.
- Retire el perno de la barra, quitando el pasador y pase el florón (embellecedor del techo) y el florón del motor a través de la barra de suspensión. A continuación, pase los cables del motor del ventilador por el interior de la barra de suspensión. Ajuste la barra de suspensión al motor e introduzca el perno y el pasador.

### Montaje tradicional



El montaje tradicional cuelga del techo con una barra.

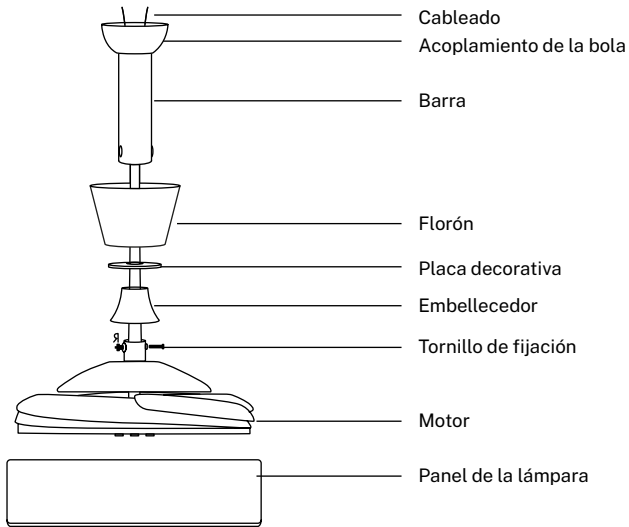
### Montaje en ángulo



El montaje en ángulo se recomienda en techos inclinados o abovedados.

Este ventilador se puede instalar tanto en un techo normal como en uno abovedado, y puede extender la longitud de suspensión con la barra de suspensión más larga (suministrada). Para instalar la barra de suspensión necesitará las siguientes herramientas: un destornillador, un destornillador de cabeza plana, alicates ajustables o una llave inglesa, una escalera de tijera, un corta-cables y cinta aislante.

## INSTALACIÓN DEL SISTEMA DE SUSPENSIÓN

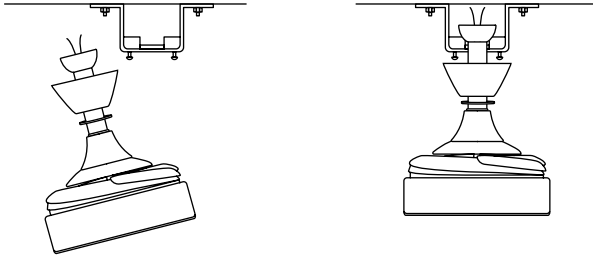


- Si quiere extender la longitud de cuelgue de su ventilador, retire la bola de la barra de suspensión y utilice la barra adicional de extensión (incluida).
- Si quiere utilizar la barra de extensión, siga las siguientes instrucciones:
  1. Para retirar la bola de la barra de suspensión, afloje el tornillo de fijación y retire los pasadores.
  2. Baje la bola y retire el pasador de bloqueo.
  3. Saque la bola de la barra de suspensión e introdúzcala en la barra de suspensión más larga (la parte superior de la barra tiene un agujero para el tornillo de fijación; utilícelo para fijar la barra).
  4. Inserte el pasador de bloqueo en el extremo de la barra de suspensión y eleve la bola. Asegúrese de que el pasador de bloqueo está alineado con las ranuras del interior de la bola y fije el tornillo de fijación.

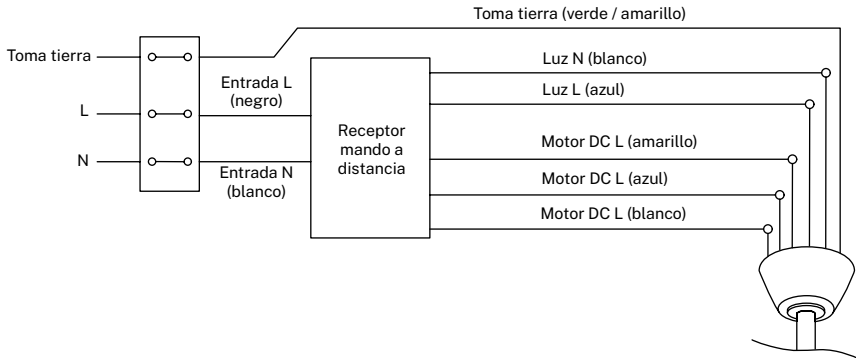
**Consejo:** Para facilitar la introducción de los cables en la barra, coloque un poco de cinta aislante alrededor de los cables. Esto le ayudará a mantenerlos juntos mientras los inserta en la barra.

5. Afloje los tornillos de fijación y la arandela de la parte superior de la carcasa del motor. Retire los pasadores de la barra (si no lo ha hecho aún). Introduzca el florón por la barra.
6. Pase los cables por la barra y tire del sobrante de los cables desde la parte superior de la barra para ajustarlos.
7. Coloque la barra dentro de la carcasa del motor e inserte los pasadores que retiró anteriormente. Ajuste los tornillos de fijación y las arandelas.
8. Afloje y retire los tornillos del motor, coloque el panel de la lámpara alineando los orificios correspondientes y vuelva a insertar y apretar los tornillos para fijar correctamente el panel.
9. Baje el florón hacia la carcasa del motor.

## COLGAR EL VENTILADOR

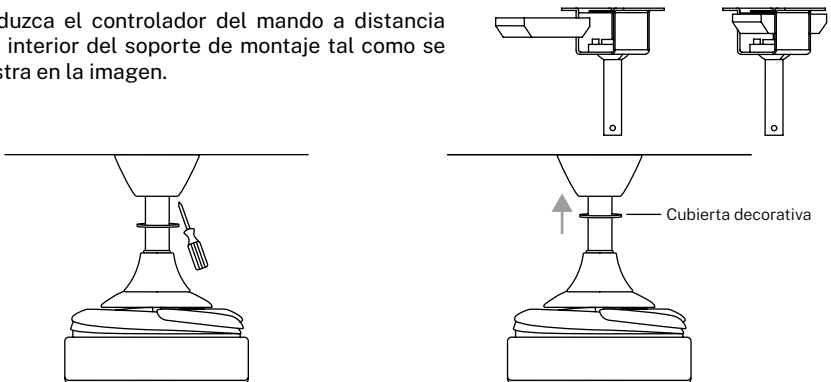


1. Coloque el tubo bajante con la bola de suspensión en el soporte de montaje, gire el conjunto del motor hasta que la lengüeta de verificación del soporte de montaje haya caído en la ranura de registro de la bola de suspensión y se asiente firmemente.



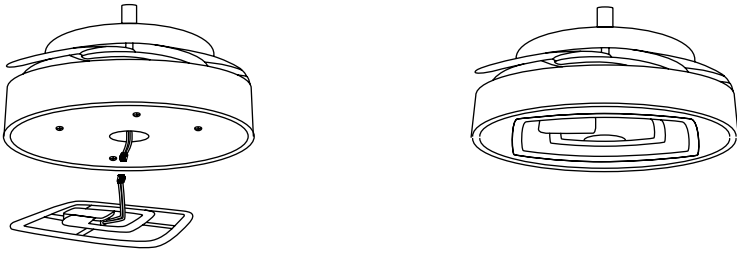
2. Realice la conexión entre los cables del receptor y los cables del motor del ventilador siguiendo las indicaciones de color. Asegúrese de que la conexión esté firme.

3. Introduzca el controlador del mando a distancia en el interior del soporte de montaje tal como se muestra en la imagen.



4. Levante el florón hasta el techo para cubrir el soporte de montaje (asegúrese de que el florón se asiente en los dos tornillos del soporte), gire el florón para asegurarse de que la cabeza del tornillo esté en el extremo de los orificios y finalmente apriete los tornillos hasta que quede bien sujeto. Posteriormente suba hacia arriba la cubierta decorativa imantada para tapar los tornillos del florón.

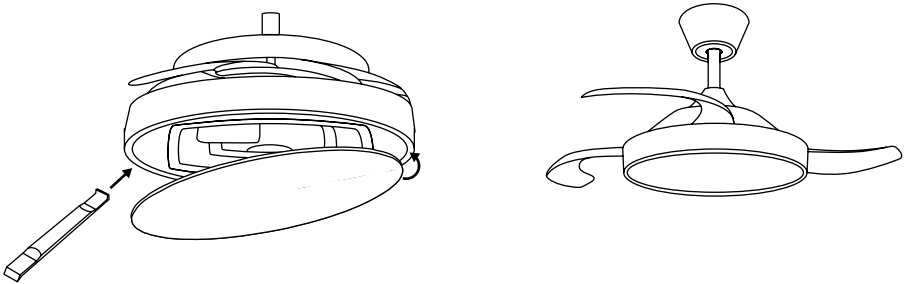
## COLOCACIÓN DEL PANEL DE LUZ



Conecte los cables de la placa de conexión con los del panel LED. El panel LED está magnetizado así que se acopla a la placa de conexiones simplemente juntando ambas piezas.

**Nota:** Mientras esté instalando o retirando la placa LED, procure no tocar las pestañas aislantes. No apriete los tornillos en exceso ni los enrosque con rapidez ya que podría causar daños en las pestañas aislantes.

## FIJACIÓN DE LA PANTALLA DECORATIVA



Coloque la tulipa apoyando un extremo en el borde del cuerpo del ventilador. Para encajar el resto de la pieza, introduzca la punta de la palanca en el hueco sobrante y úsela para empujar suavemente la pestaña de sujeción hacia atrás. Esto permitirá que la tulipa se deslice hasta su posición final. Una vez escuche el “click” y compruebe que la pieza no se mueve, podrá conectar la electricidad y disfrutar de su nuevo ventilador con luz.

## COMPROBAR LA INSTALACIÓN

- Compruebe el correcto funcionamiento del ventilador de techo, revisando que no se observe algún movimiento extraño o desajuste en alguna pieza del ventilador.
- En el caso de que se pueda apreciar algún tipo de zumbido/vibración, puede proceder a ajustar las aspas con el kit de balaceo.
- En este kit dispone de contrapesos autoadhesivos y clips en forma de “u”.

## CONEXIÓN A LA APP

\* Solo para los modelos con wifi



- La aplicación CREATE HOME está disponible tanto para Android como para iOS (busque la aplicación en Google Play o App Store o escanee el código QR). Dependiendo del proveedor, puede haber costos involucrados en la descarga de la aplicación.
- Con la aplicación podrá manejar el dispositivo a través de su red doméstica. Un requisito previo es una conexión wifi permanente a su router de 2.4 Gh y la aplicación gratuita CREATE HOME. (Los proveedores de internet actualmente ofrecen tanto 5Gh como 2.4Gh simultáneamente)

- Recomendamos desconectar el aparato de la fuente de alimentación cuando esté fuera de casa para evitar un encendido involuntario mientras está fuera.

### CÓMO CONECTARSE A LA APP

1. Instale la app CREATE y cree una cuenta de usuario.
2. Configure una contraseña de inicio de sesión e inicie sesión en la aplicación.
3. Haga clic en “Agregar dispositivo” (+) y luego en la categoría correspondiente al ventilador de techo.



- Si lo desea también puede seleccionar la opción “Escanear QR” para agregar el dispositivo directamente.

4. En el mando a distancia, mantenga pulsado los botones 1H y 4H durante unos 5 segundos hasta que se oiga un pitido.
5. Seguidamente, haga clic en “Confirmar”.
6. Introduzca su contraseña de red wifi y confirme.
7. Mientras se conecta, asegúrese de que su router, teléfono móvil y dispositivo estén lo más cerca posible. Finalmente, el ventilador de techo se agregará con éxito a su aplicación CREATE.



En cumplimiento de las directivas: 2012/19 / UE y 2015/863 / UE sobre la restricción del uso de sustancias peligrosas en equipos eléctricos y electrónicos, así como su eliminación de residuos. El símbolo con el cubo de basura cruzado que se muestra en el paquete indica que el producto al final de su vida útil se recogerá como residuo separado. Por lo tanto, cualquier producto que haya llegado al final de su vida útil debe entregarse a centros de eliminación de residuos especializados en la recogida selectiva de equipos eléctricos y electrónicos de desecho, o devolverse al minorista al momento de comprar equipos nuevos similares, en uno para Una base. La recolección separada adecuada para la posterior puesta en marcha de los equipos enviados para ser reciclados, tratados y eliminados de una manera compatible con el medio ambiente contribuye a prevenir posibles efectos negativos sobre el medio ambiente y la salud y optimiza el reciclaje y la reutilización de los componentes que componen el aparato. La eliminación abusiva del producto por parte del usuario implica la aplicación de las sanciones administrativas de acuerdo con las leyes.

Obrigado por escolher o nosso ventilador de teto. Antes de utilizar o dispositivo e para assegurar uma boa utilização do mesmo, leia cuidadosamente estas instruções.

Seguir estas precauções de segurança corretamente reduz o risco de morte, ferimentos ou choque elétrico. Guarde este manual num local seguro para referência futura, juntamente com o cartão de garantia preenchido, o recibo da compra e a embalagem. Se aplicável, passe estas instruções para o próximo proprietário do dispositivo. Siga sempre as precauções de segurança e as medidas de prevenção de acidentes aquando da utilização de um eletrodoméstico. Não assumimos qualquer responsabilidade por qualquer incumprimento destes requisitos.

## REQUISITOS DE LOCALIZAÇÃO E INSTALAÇÃO

---

### DICAS DE MECÂNICO

- De acordo com as normas de segurança, o ponto mais baixo das pás do ventilador deve estar a pelo menos 2,3 metros do solo.
- Certifique-se de que o local escolhido não permite que as lâminas rotativas entrem em contato com quaisquer objetos.
- Verifique se as vigas do teto estão seguras, grandes e fortes o suficiente para suportar o peso do ventilador.
- Para reduzir o risco de incêndio, choque elétrico ou ferimentos pessoais, certifique-se de que o suporte de montagem do ventilador esteja fixado diretamente na estrutura do edifício. NÃO monte em uma caixa de distribuição.
- O suporte de montagem deve ser firmemente aparafusado a uma estrutura de suporte, como um telhado de concreto, uma estrutura de aço ou uma estrutura de madeira. Se for adicionada uma moldura de madeira, ela deverá ser pregada ou aparafusada com segurança entre duas vigas.
- Para reduzir o risco de ferimentos pessoais e danos materiais, não dobre nem danifique a haste vertical ou as pás do ventilador ao manusear ou instalar o ventilador. Se detectar algum dano no produto, contacte o nosso serviço pós-venda antes de prosseguir com a instalação do ventilador.
- Certifique-se de que o ventilador esteja firmemente preso ao teto. Todos os parafusos de fixação deverão ser verificados e reapertados sempre que necessário antes de ligar o ventilador.

### DICAS ELÉTRICAS

- Desligue a energia antes de realizar qualquer trabalho no ventilador de teto e desligue o disjuntor. Para evitar possíveis choques elétricos, verifique se a energia está desligada na caixa de fusíveis ou no painel do disjuntor antes de fazer a fiação.
- O ventilador, o suporte de montagem e o equipamento de iluminação devem estar conectados ao terra. Verifique se todas as emendas estão bem isoladas.
- Verifique e confirme se todas as conexões estão corretas e seguras. Depois que todas as conexões elétricas forem feitas, armazene todos os cabos com segurança.
- Não tente controlar este ventilador com um interruptor de parede ou controle remoto que não seja aprovado pelo fabricante para uso com o ventilador. Não use um controlador de estado sólido. O uso de um interruptor de parede ou controle remoto não aprovado anulará a garantia.
- Não conecte o ventilador de teto a um interruptor dimmer.

## INSTRUÇÕES DE SEGURANÇA

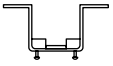
---

Antes de usar qualquer dispositivo elétrico, leia atentamente as medidas básicas de segurança:

- Este aparelho não se destina a ser utilizado por pessoas com deficiências físicas, sensoriais ou mentais, ou por pessoas com falta de experiência e conhecimento, a menos que sejam supervisionadas ou tenham recebido instruções relativas à sua utilização segura e compreendam os perigos potenciais associados.
- As crianças não reconhecem os perigos associados à operação de um ventilador de teto. Mantenha as crianças afastadas dos ventiladores de teto.
- Não exponha o ventilador de teto à chuva ou umidade. Não opere o ventilador de teto ao ar livre ou com as mãos molhadas.
- Use apenas peças de reposição CREATE.
- Para reduzir o risco de lesões corporais, fixe o ventilador diretamente na estrutura de suporte do edifício seguindo estas instruções e use apenas o hardware fornecido.
- Para evitar possíveis choques elétricos, antes de instalar o ventilador, desconecte a energia desligando os disjuntores na caixa de tomadas e no local do interruptor de parede associado. Se você não conseguir travar os disjuntores na posição desligada, coloque um aviso proeminente, como uma etiqueta, no painel de serviço.
- Para reduzir o risco de lesões corporais, não dobre o sistema de montagem da lâmina ao instalar, equilibrar ou limpar o ventilador. Nunca insira objetos estranhos entre as pás giratórias do ventilador.
- Para reduzir o risco de incêndio ou danos ao motor, não use um controle de velocidade de estado sólido com este ventilador. Use apenas controles de velocidade CREATE.

**Observação:** As precauções e instruções de segurança importantes neste manual não se destinam a cobrir todas as condições e situações que podem ocorrer. Ao instalar e operar este ventilador, é necessário bom senso e cautela.

## LISTA DE PEÇAS



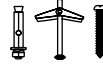
Apoiar  
Montagem



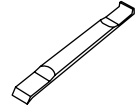
Roseta



Magnético  
tampa decorativa



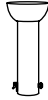
Parafusos



Alavanca



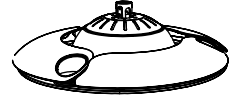
Controle remoto e  
controlador



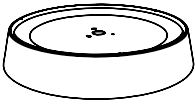
Bar



Barra de  
extensão



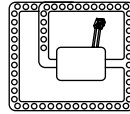
Corpo do ventilador  
(Motor)



Painel da lâmpada



Aparar



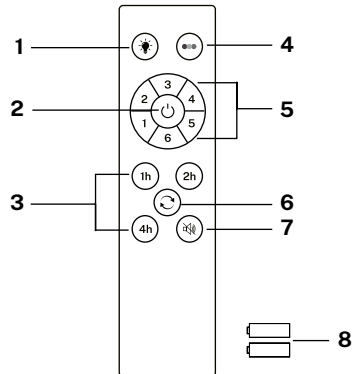
Placa de luz



Tulipa

## CONTROLE REMOTO

1. Luz
2. Botão ligar / desligar
3. Cronômetro
4. Controle de temperatura de cor
5. Controle de intensidade do ventilador
6. Função reversa
7. Botão de desligar som
8. Pilhas (2 x AAA)



### Emparelhamento do controlador

1. Desligue o interruptor de luz principal da divisão onde instalou a ventoinha durante, pelo menos, 10 segundos.
2. Ligue o interruptor e ouvirá um sinal sonoro; no espaço de 3 segundos, prima e mantenha premido o botão de ligar/desligar até ouvir um sinal sonoro.
3. Se o processo de emparelhamento não for bem sucedido, repita os passos acima novamente depois de desligar o interruptor de parede durante, pelo menos, 1 minuto.



## LUZ

Liga e desliga a luz do ventilador, independentemente de o ventilador estar funcionando ou não.



## LIGAR / DESLIGAR

Liga ou desliga o ventilador completamente, independentemente de estar com a luz acesa ou apagada.



## 1h TEMPORIZADOR

Agende o desligamento automático escolhendo uma das opções disponíveis.



## FUNÇÃO REVERSE

Mude a direção de rotação das pás do ventilador. A função inverno (girar para a direita) força o ar quente acumulado no teto para baixo e a função verão (girar para a esquerda) gera uma brisa que refresca o ambiente.



## TEMPERATURA DE COR

Alterna entre os três tipos de temperatura de cor de luz disponíveis (quente, neutro e frio).



## FAN INTENSITY

Aumente ou diminua a velocidade de rotação das pás do ventilador.



## DESATIVAR SOM DESATIVAR SOM

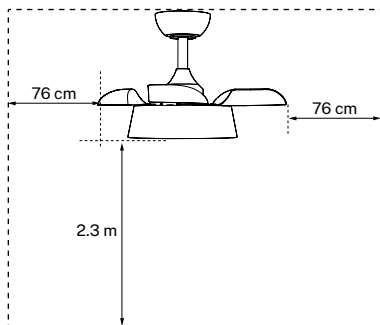
Ao pressionar o botão de desligar o som você pode silenciar os sons que o ventilador emite quando você pressiona qualquer tecla do controle remoto.

## INSTRUÇÕES DE INSTALAÇÃO

- Marque a posição correta dos furos e fixe o suporte de teto utilizando os parafusos com buchas metálicas ou parafusos e arruelas adequados ao tipo de teto escolhido.
- Verifique a instalação correta do suporte antes de pendurar o ventilador. Esta placa deve suportar todo o peso do ventilador.

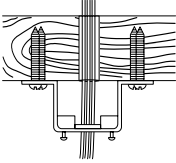
### PREPARAÇÃO DA INSTALAÇÃO

- Para evitar ferimentos e lesões pessoais, certifique-se de que o local onde você vai pendurar o ventilador permite que as pás fiquem a 2,3 m ou mais do solo e a 76 cm da parede ou obstáculo mais próximo.
- Certifique-se de que a caixa de junção esteja adequadamente fixada à estrutura do edifício e possa suportar todo o peso do ventilador.



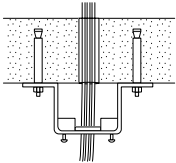
## INSTALANDO O SUPORTE DE MONTAGEM

- Verifique se o teto onde pretende montar o ventilador é estável e capaz de suportar com segurança o peso do ventilador.
- Não fixe o suporte de montagem diretamente em tetos com menos de 10 mm para evitar o risco de o parafuso se soltar e sair.
- Marque a posição correta dos orifícios e fixe o suporte de teto utilizando parafusos com buchas metálicas ou parafusos e anilhas adequados ao tipo de teto escolhido.



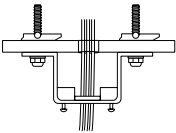
### Telhado de madeira

Faça os furos necessários e fixe o suporte de montagem com os parafusos e arruelas para madeira nas juntas do teto.



### Telhado de concreto

Faça furos com broca de 8mm, de acordo com o comprimento dos parafusos de expansão. Em seguida, fixe o suporte de montagem ao teto com os parafusos de expansão.



### Falso técnico

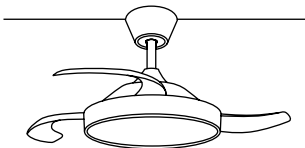
Faça os furos necessários e, em seguida, fixe o suporte de montagem com os parafusos de fixação especiais de alavanca de mola para utilização em tectos falsos.

- Uma vez instalado o suporte de fixação, verificar a sua correta instalação antes de pendurar o ventilador. O suporte de fixação deve suportar o peso total do ventilador.

## INSTALANDO A BARRA DE SUSPENSÃO

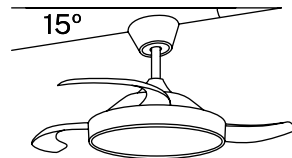
- Escolha a barra de suspensão que melhor se adapta à sua situação.
- Remova o parafuso da barra, remova o pino e passe a cobertura (cobertura do teto) e a cobertura do motor pela barra de suspensão. Em seguida, direcione os cabos do motor do ventilador pela parte interna da barra de suspensão. Aperte a barra de suspensão no motor e insira o parafuso e o pino.

### Montagem tradicional



A montagem tradicional é pendurada a partir do teto com uma barra.

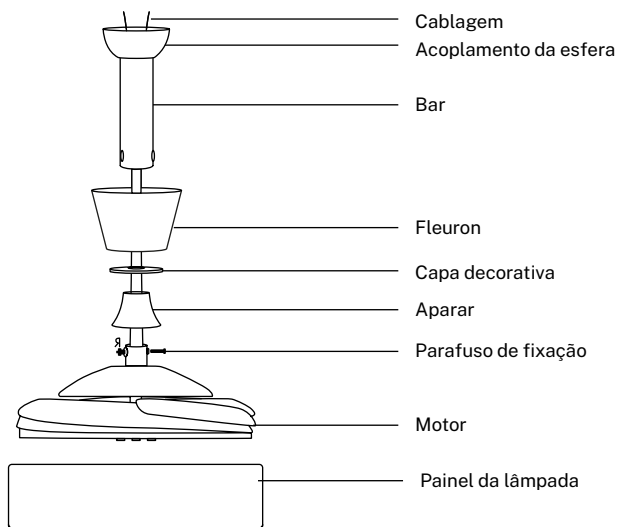
### Montagem em ângulo



A montagem em ângulo é recomendada em tetos inclinados ou abobadados.

Este ventilador pode ser instalado em tetos regulares e abobadados e pode estender o comprimento de suspensão com a haste de suspensão mais longa (fornecida). Para instalar a barra suspensa, você precisará das seguintes ferramentas: uma chave de fenda, uma chave de fenda, um alicate ajustável ou uma chave inglesa, uma escada, um alicate e fita isolante.

## INSTALAÇÃO DO SISTEMA DE SUSPENSÃO

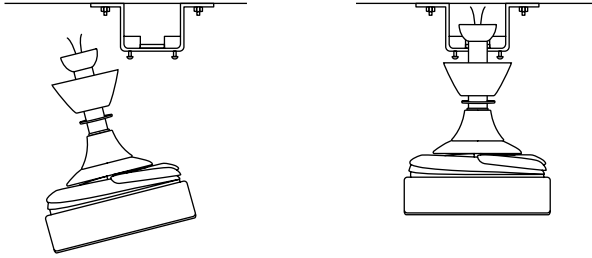


- Se você quiser estender o comprimento de suspensão do seu ventilador, remova a bola da haste de suspensão e use a haste de extensão adicional (incluída).
- Se você quiser usar a barra de extensão, siga as seguintes instruções:
  1. Para remover a esfera da haste de suspensão, afrouxe o parafuso de fixação e remova os contrapinos.
  2. Abaixee a bola e remova o pino de travamento.
  3. Retire a bola da barra suspensa e insira-a na barra suspensa mais longa (a parte superior da barra tem um orifício para o parafuso de fixação; use-o para prender a barra).
  4. Insira o pino de travamento na extremidade da haste de suspensão e levante a bola.  
Certifique-se de que o pino de travamento esteja alinhado com as ranhuras dentro da esfera e fixe o parafuso de fixação.

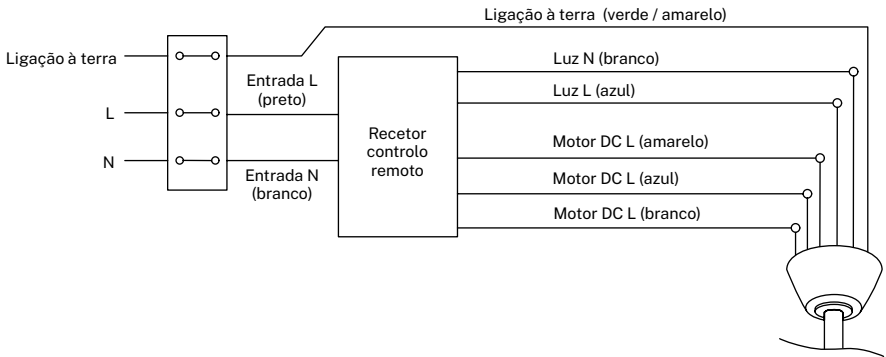
**Conselho:** Para facilitar a inserção dos fios na barra, coloque um pouco de fita isolante ao redor dos fios. Isso ajudará você a mantê-los juntos ao inseri-los na barra.

5. Afrouxe os parafusos de montagem e a arruela da parte superior da carcaça do motor. Remova os pinos da barra (se ainda não o fez). Insira a roseta através da barra.
6. Passe os cabos pela barra e puxe o excesso de cabos da parte superior da barra para apertá-los.
7. Coloque a barra dentro da carcaça do motor e insira os pinos removidos anteriormente. Aperte os parafusos de fixação e as arruelas.
8. Desaperte e retire os parafusos do motor, coloque o painel da lâmpada alinhando os orifícios correspondentes e volte a inserir e apertar os parafusos para fixar corretamente o painel.
9. Abaixee a capota em direção à carcaça do motor.

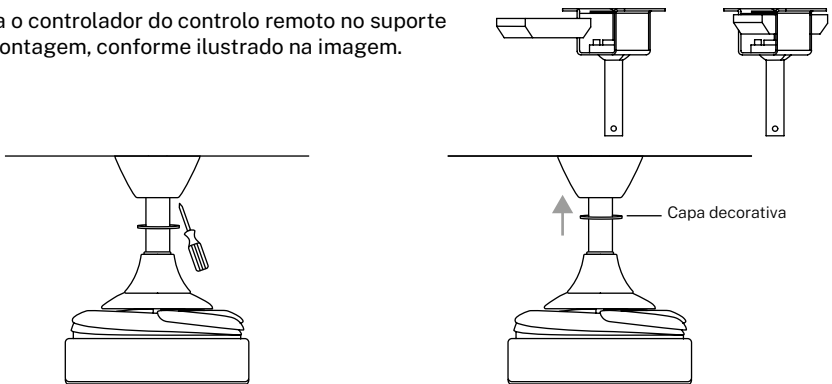
## PENDURAR A VENTOINHA



1. Colocar o tubo de descida com a esfera de suspensão no suporte de montagem, rodar o conjunto do motor até que a patilha de verificação no suporte de montagem tenha caído na ranhura de registo da esfera de suspensão e esteja firmemente assente.

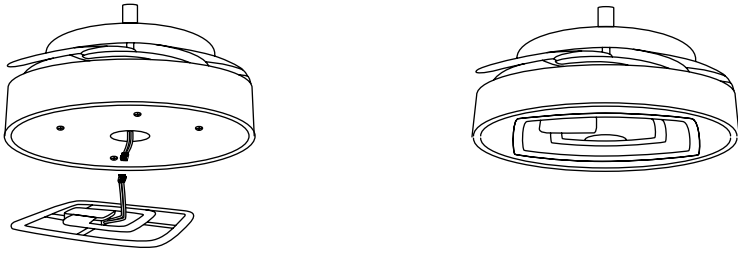


2. Efetuar a ligação entre os fios do recetor e os fios do motor do ventilador de acordo com as indicações de cor. Certifique-se de que a ligação está bem apertada.
3. Insira o controlador do controlo remoto no suporte de montagem, conforme ilustrado na imagem.



4. Levante a rosácea até ao teto para cobrir o suporte de montagem (certifique-se de que a rosácea assenta nos dois parafusos do suporte), rode a rosácea para se certificar de que a cabeça do parafuso está na extremidade dos orifícios e, por fim, aperte os parafusos até ficar bem presa. Em seguida, levante a tampa decorativa magnetizada para cobrir os parafusos da roseta.

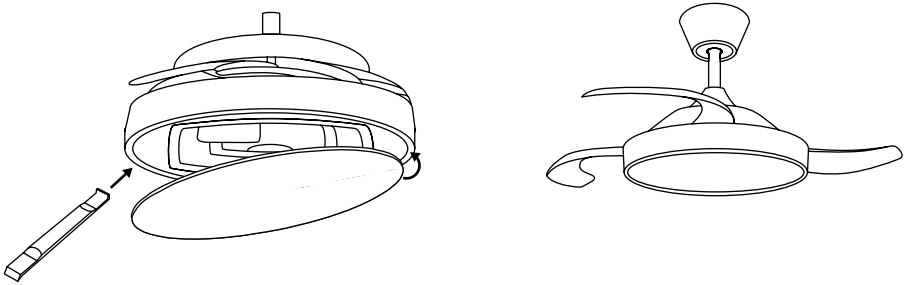
## COLOCAÇÃO DO PAINEL LUMINOSO



Ligar os fios da placa de ligação com os fios do painel LED. O painel LED é magnetizado, pelo que é fixado à placa de ligação através de um simples encaixe das duas peças.

**Nota:** Ao instalar ou remover a placa de LED, tenha cuidado para não tocar nas patilhas de isolamento. Não aperte demasiado os parafusos nem os aparafuse rapidamente, pois isso pode danificar as patilhas de isolamento.

## FIXAÇÃO DA TELA DECORATIVA



Coloque o abajur de forma a que uma das extremidades assente na borda da caixa do ventilador. Para fixar o resto da peça, insira a ponta da alavanca na abertura restante e empurre cuidadosamente a patilha de fixação para trás. Isto permite que o abajur deslize para a sua posição final. Assim que ouvir um clique e tiver verificado se a peça está bem fixada, pode ligar a alimentação e desfrutar do seu novo ventilador com iluminação.

## VERIFICAR A INSTALAÇÃO

- Verifique o funcionamento correto do ventilador de teto, verificando se existe algum movimento estranho ou desalinhamento de alguma parte do ventilador.
- Se se notar algum zumbido/vibração, pode proceder ao ajuste das pás com o kit de equilíbrio.
- Este kit inclui contrapesos autocolantes e cliques em forma de U.

## CONEXIÓN A LA APP

\* Solo para los modelos con wifi



- A aplicação CREATE HOME está disponível para Android e iOS (procure a aplicação no Google Play ou na App Store ou leia o código QR). Dependendo do fornecedor, pode haver custos envolvidos no descarregamento da aplicação.
- Com a aplicação, pode operar o dispositivo através da sua rede doméstica. Um pré-requisito é uma ligação Wi-Fi permanente ao roteador 2,4 Gh e a aplicação gratuita CREATE HOME. (Os provedores de Internet oferecem atualmente 5Gh e 2,4Gh simultaneamente).

- Recomendamos que desligue o dispositivo da fonte de alimentação quando estiver fora de casa para evitar uma ligação involuntária durante a sua ausência.

### COMO SE CONECTAR AO APLICATIVO

1. Instale o aplicativo CREATE e crie uma conta de usuário.
2. Defina uma senha de login e faça login no aplicativo.
3. Clique em “Adicionar dispositivo” (+) e a seguir clique na categoria do ventilador de teto.



- Também pode seleccionar a opção “Scan QR” para adicionar o dispositivo diretamente.

4. No controle remoto, pressione e segure os botões 1H e 4H por cerca de 5 segundos até ouvir um bipe.
5. Em seguida, clique em “Confirmar”.
6. Digite a senha da sua rede Wi-Fi e confirme.
7. Ao conectar, certifique-se de que seu roteador, celular e dispositivo estejam o mais próximos possível. Finalmente, o ventilador de teto será adicionado com sucesso ao seu aplicativo CREATE.



En cumplimiento de las directivas: 2012/19 / UE y 2015/863 / UE sobre la restricción del uso de sustancias peligrosas en equipos eléctricos y electrónicos, así como su eliminación de residuos. El símbolo con el cubo de basura cruzado que se muestra en el paquete indica que el producto al final de su vida útil se recogerá como residuo separado. Por lo tanto, cualquier producto que haya llegado al final de su vida útil debe entregarse a centros de eliminación de residuos especializados en la recogida selectiva de equipos eléctricos y electrónicos de desecho, o devolverse al minorista al momento de comprar equipos nuevos similares, en uno para Una base. La recolección separada adecuada para la posterior puesta en marcha de los equipos enviados para ser reciclados, tratados y eliminados de una manera compatible con el medio ambiente contribuye a prevenir posibles efectos negativos sobre el medio ambiente y la salud y optimiza el reciclaje y la reutilización de los componentes que componen el aparato. La eliminación abusiva del producto por parte del usuario implica la aplicación de las sanciones administrativas de acuerdo con las leyes.

Nous vous remercions d'avoir choisi notre ventilateur de plafond. Avant d'utiliser cet appareil électroménager et pour garantir une utilisation optimale, lire attentivement les instructions.

Les mesures de sécurité visées ici réduisent le risque d'incendie, d'électrocution et de blessures lorsqu'elles sont correctement suivies. Conserver le manuel dans un endroit sûr pour de futures références, tout comme la garantie, le ticket d'achat et l'emballage. Le cas échéant, remettre ces instructions au futur propriétaire de l'appareil électroménager. Toujours respecter les instructions de sécurité de base et les mesures de prévention des risques lors de l'utilisation d'un appareil électrique. Le fabricant ne sera responsable d'aucun dommage découlant du non-respect de ces instructions de la part de l'utilisateur.

## EXIGENCES D'EMPLACEMENT ET D'INSTALLATION

---

### CONSEILS DE MÉCANICIEN

- Conformément aux règles de sécurité, le point le plus bas des pales du ventilateur doit être à au moins 2,3 mètres du sol.
- Assurez-vous que l'emplacement choisi ne permet pas aux lames rotatives d'entrer en contact avec des objets.
- Vérifiez que les solives du plafond sont sécurisées, suffisamment grandes et solides pour supporter le poids du ventilateur.
- Pour réduire le risque d'incendie, de choc électrique ou de blessure, assurez-vous que le support de montage du ventilateur est fixé directement à la structure du bâtiment. Ne pas monter dans une boîte de distribution.
- Le support de montage doit être solidement boulonné à une structure de support, telle qu'un toit en béton, une structure en acier ou une charpente en bois. Si une charpente en bois est ajoutée, elle doit être clouée ou vissée solidement entre deux solives.
- Pour réduire le risque de blessures corporelles et de dommages matériels, ne pliez pas et n'endommagez pas la tige verticale ou les pales du ventilateur lors de la manipulation ou de l'installation du ventilateur. Si vous détectez des dommages sur le produit, contactez notre service après-vente avant de procéder à l'installation du ventilateur.
- Assurez-vous que le ventilateur est solidement fixé au plafond. Toutes les vis de fixation doivent être vérifiées et resserrées chaque fois que nécessaire avant de démarrer le ventilateur.

### CONSEILS ÉLECTRIQUES

- Coupez l'alimentation avant d'effectuer des travaux sur le ventilateur de plafond et coupez le disjoncteur. Pour éviter tout risque de choc électrique, vérifiez que l'alimentation est coupée au niveau de la boîte à fusibles ou du panneau de disjoncteurs avant le câblage.
- Le ventilateur, le support de montage et l'équipement d'éclairage doivent être connectés à une terre. Vérifiez que toutes les épissures sont bien isolées.
- Vérifiez et confirmez que toutes les connexions sont correctes et sécurisées. Une fois toutes les connexions électriques effectuées, rangez tous les câbles en toute sécurité.
- N'essayez pas de contrôler ce ventilateur à partir d'un interrupteur mural ou d'une télécommande qui n'est pas approuvé par le fabricant pour une utilisation avec le ventilateur. N'utilisez pas de contrôleur à semi-conducteurs. L'utilisation d'un interrupteur mural ou d'une télécommande non approuvé annulera votre garantie.
- Ne connectez pas le ventilateur de plafond à un variateur.

## CONSIGNES DE SÉCURITÉ

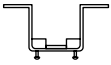
---

Avant d'utiliser un appareil électrique, lisez attentivement les mesures de sécurité de base :

- Cet appareil n'est pas destiné à être utilisé par des personnes souffrant de handicaps physiques, sensoriels ou mentaux, ou par des personnes manquant d'expérience et de connaissances, à moins qu'elles ne soient supervisées ou qu'elles aient reçu des instructions concernant son utilisation en toute sécurité et qu'elles comprennent les dangers potentiels qui y sont associés.
- Les enfants ne reconnaissent pas les dangers associés à l'utilisation d'un ventilateur de plafond. Éloignez les enfants des ventilateurs de plafond.
- N'exposez pas le ventilateur de plafond à la pluie ou à l'humidité. Ne faites pas fonctionner le ventilateur de plafond à l'extérieur ou avec les mains mouillées.
- N'utilisez que des pièces de rechange CREATE.
- Pour réduire le risque de blessures corporelles, fixez le ventilateur directement à la structure de support du bâtiment en suivant ces instructions et utilisez uniquement le matériel fourni.
- Pour éviter tout risque d'électrocution, avant d'installer le ventilateur, débranchez l'alimentation en éteignant les disjoncteurs de la boîte de sortie et de l'emplacement de l'interrupteur mural associé. Si vous ne pouvez pas verrouiller les disjoncteurs en position d'arrêt, placez un avis bien en vue, comme une étiquette, sur le panneau de service.
- Pour réduire le risque de blessures corporelles, ne pliez pas le système de montage des pales lors de l'installation, de l'équilibrage ou du nettoyage du ventilateur. N'insérez jamais d'objets étrangers entre les pales du ventilateur en rotation.
- Pour réduire le risque d'incendie ou de dommages au moteur, n'utilisez pas de contrôleur de vitesse à semi-conducteurs avec ce ventilateur. Utilisez uniquement les commandes de vitesse CREATE.

**Noter:** Les consignes de sécurité importantes et les instructions contenues dans ce manuel ne sont pas destinées à couvrir toutes les conditions et situations susceptibles de se produire. Lors de l'installation et de l'utilisation de ce ventilateur, le bon sens et la prudence sont nécessaires.

## LISTE DES PIÈCES



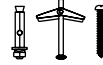
Soutien montage



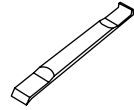
Rosette



Couvercle magnétique décoratif



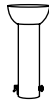
Vis



Levier



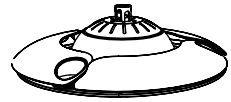
Télécommande et contrôleur



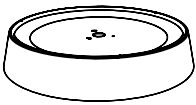
Bar



Bar de extension



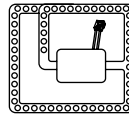
Corps du ventilateur (Moteur)



Panneau de la lampe



Garniture



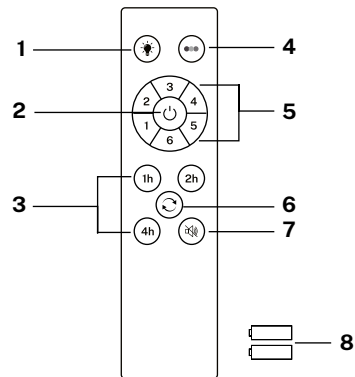
Plaque lumineuse



Venu de

## TÉLÉCOMMANDE

1. Lumière
2. Bouton marche/arrêt
3. Minuteur
4. Contrôle de la température de couleur
5. Contrôle de l'intensité du ventilateur
6. Fonction inverse
7. Bouton de désactivation du son
8. Piles (2 x AAA)



### Appairage du contrôleur

1. Éteignez l'interrupteur principal de la pièce où vous avez installé votre ventilateur pendant au moins 10 secondes.
2. Allumez l'interrupteur et vous entendrez un bip, dans les 3 secondes qui suivent, appuyez sur le bouton marche/arrêt et maintenez-le enfoncé jusqu'à ce que vous entendiez un bip.
3. Si le processus d'appairage n'aboutit pas, répétez les étapes ci-dessus après avoir éteint l'interrupteur mural pendant au moins 1 minute.

## LUMIÈRE

Allume et éteint la lumière du ventilateur, que le ventilateur soit en marche ou non.

## ALLUMÉ ÉTEINT

Allume ou éteint complètement le ventilateur, que la lumière soit allumée ou non.

## MINUTEUR

Planifiez l'arrêt automatique en choisissant parmi les options disponibles.

## FONCTION INVERSE

Changez le sens de rotation des pales du ventilateur. La fonction hiver (tourner vers la droite) pousse l'air chaud accumulé dans le plafond vers le bas et la fonction été (tourner vers la gauche) génère une brise qui rafraîchit la pièce.

## TEMPÉRATURE DE COULEUR

Alterna tra i tre tipi di temperature di colore della luce disponibili (calda, neutra e fredda).

## INTENSITÉ DU VENTILATEUR

Augmente ou diminue la vitesse de rotation des pales du ventilateur.

## DÉSACTIVER LE SON DÉSACTIVE LE SON

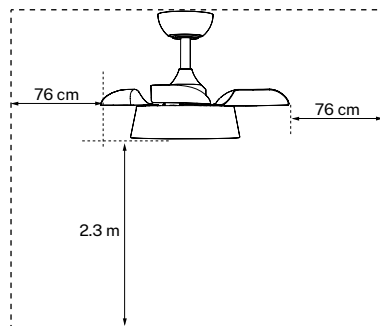
En appuyant sur le bouton de désactivation du son, vous pouvez faire taire les sons émis par le ventilateur lorsque vous appuyez sur n'importe quelle touche de la télécommande.

## INSTRUCTIONS D'INSTALLATION

- Marquez la position correcte des trous et fixez le support de plafond à l'aide des vis avec des chevilles métalliques ou des vis et des rondelles appropriées au type de plafond choisi.
- Vérifiez la bonne installation du support avant de suspendre le ventilateur. Cette plaque doit supporter tout le poids du ventilateur.

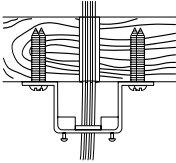
### PRÉPARATION DE L'INSTALLATION

- Pour éviter les blessures corporelles et les blessures, assurez-vous que l'endroit où vous allez accrocher le ventilateur permet aux pales d'être à 2,3 m ou plus du sol et à 76 cm du mur ou de l'obstacle le plus proche.
- Assurez-vous que la boîte de jonction est bien fixée à la structure du bâtiment et qu'elle peut supporter tout le poids du ventilateur.



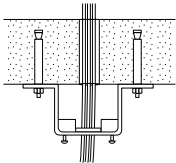
## INSTALLATION DU SUPPORT DE MONTAGE

- Vérifiez que le plafond sur lequel vous comptez monter le ventilateur est stable et capable de supporter en toute sécurité le poids du ventilateur.
- Ne fixez pas le support de montage directement sur des plafonds de moins de 10 mm pour éviter tout risque de desserrage et de sortie de la vis.
- Marquez la position correcte des trous et fixez le support de plafond à l'aide de vis avec des chevilles métalliques ou de vis et de rondelles adaptées au type de plafond choisi.



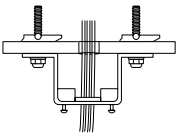
### Toiture en bois

Percez les trous nécessaires, puis fixez le support de montage avec les vis à bois et les rondelles aux joints du plafond.



### Toit en béton

Percez des trous avec un foret de 8 mm, en fonction de la longueur des vis d'expansion. Ensuite, fixez le support de montage au plafond avec les vis d'expansion.



### Falso técnico

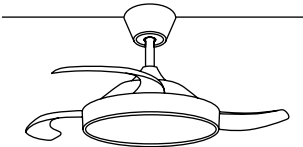
Faça os furos necessários e, em seguida, fixe o suporte de montagem com os parafusos de fixação especiais de alavanca de mola para utilização em tectos falsos.

- Une fois le support de fixation installé, vérifiez qu'il est correctement installé avant de suspendre le ventilateur. Le support de fixation doit supporter le poids total du ventilateur.

## INSTALLATION DE LA BARRE DE SUSPENSION

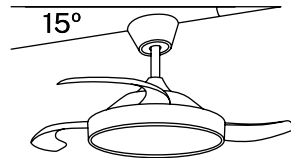
- Choisissez la barre de suspension qui convient le mieux à votre situation.
- Retirez le boulon de la barre, retirez la goupille et passez la verrière (garniture de toit) et la verrière du moteur à travers la barre de suspension. Ensuite, faites passer les câbles du moteur du ventilateur à l'intérieur de la barre de suspension. Serrez la barre de suspension au moteur et insérez le boulon et la goupille.

### Assemblage traditionnel



Le montage traditionnel permet de suspendre le ventilateur avec une tige.

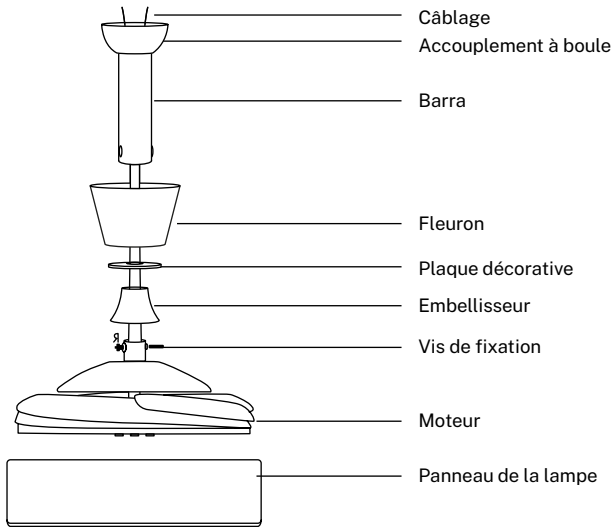
### Montage en angle



Le montage en angle est recommandé pour les plafonds inclinés ou voûtés.

Ce ventilateur peut être installé aussi bien sur un plafond ordinaire que sur un plafond voûté, et peut étendre la longueur de suspension grâce à la tige de suspension plus longue (fournie). Pour installer la barre de suspension, vous aurez besoin des outils suivants : un tournevis, un tournevis à tête plate, une pince ou une clé réglable, un escabeau, une pince coupante et du ruban isolant.

## INSTALLATION DU SYSTÈME DE SUSPENSION

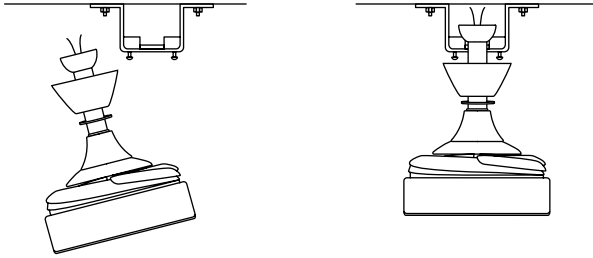


- Si vous souhaitez étendre la longueur de suspension de votre ventilateur, retirez la boule de la tige de suspension et utilisez la tige d'extension supplémentaire (incluse).
- Si vous souhaitez utiliser la barre d'extension, suivez les instructions suivantes :
  1. Pour retirer la boule de la tige de suspension, desserrez le vis de réglage et retirez les goupilles fendues.
  2. Abaissez la boule et retirez la goupille de verrouillage.
  3. Retirez la boule de la barre de suspension et insérez-la dans la barre de suspension la plus longue (le haut de la barre a un trou pour la vis de réglage ; utilisez-le pour fixer la barre).
  4. Insérez la goupille de verrouillage dans l'extrémité de la tige de suspension et soulevez la boule. Assurez-vous que la goupille de verrouillage est alignée avec les rainures à l'intérieur de la bille et fixez le vis de réglage.

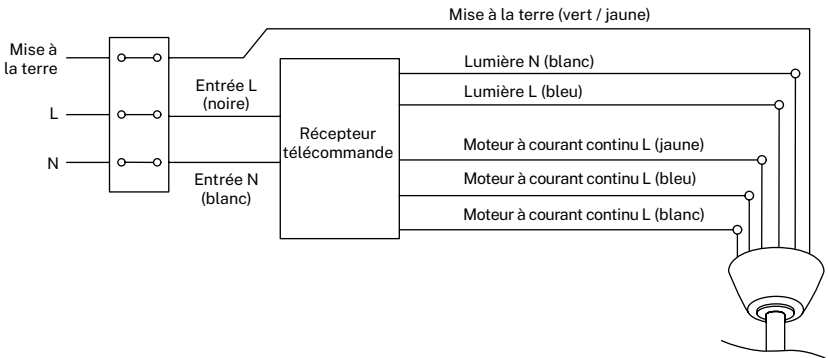
**Conseil:** Pour faciliter l'insertion des fils dans la barre, placez du ruban isolant autour des fils. Cela vous aidera à les garder ensemble lorsque vous les insérez dans la barre.

5. Desserrez les vis de montage et la rondelle du haut du boîtier du moteur. Retirez les broches de la barre (si ce n'est pas déjà fait). Insérez la rosace à travers la barre.
6. Enfilez les câbles à travers la barre et tirez les câbles en excès depuis le haut de la barre pour les serrer.
7. Placez la barre à l'intérieur du boîtier du moteur et insérez les broches que vous avez retirées plus tôt. Serrez les vis de réglage et les rondelles.
8. Desserrez et retirez les vis du moteur, placez le panneau de la lampe en alignant les trous correspondants, puis réinsérez et serrez les vis pour fixer correctement le panneau.
9. Abaissez le capot vers le carter du moteur.

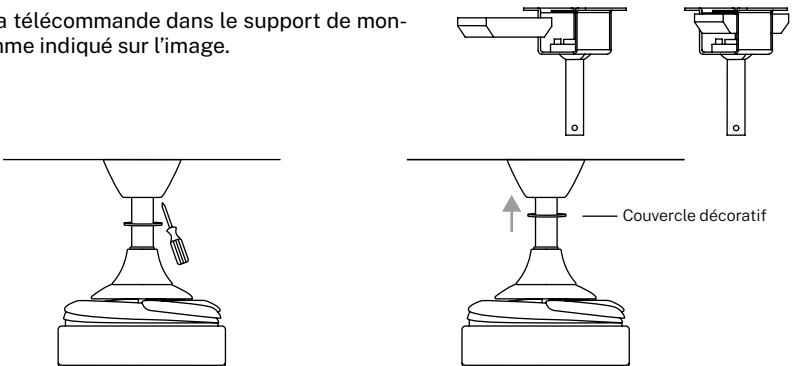
## SUSPENSION DU VENTILATEUR



1. Placez le tuyau de descente avec la boule de suspension dans le support de montage, tournez l'ensemble du moteur jusqu'à ce que la languette de contrôle du support de montage soit tombée dans la rainure d'enregistrement de la boule de suspension et qu'elle soit fermement fixée.

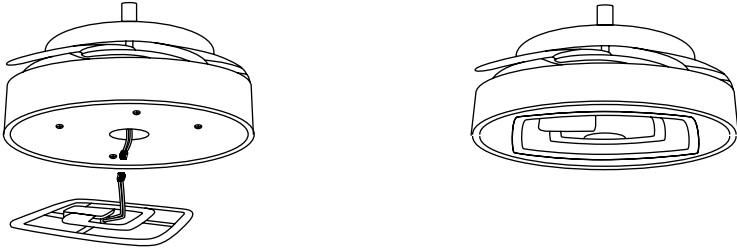


2. Effectuer la connexion entre les fils du récepteur et les fils du moteur du ventilateur en suivant les indications de couleur. Veillez à ce que la connexion soit bien serrée.
3. Insérez la télécommande dans le support de montage comme indiqué sur l'image.



4. Soulevez la rosace jusqu'au plafond pour couvrir le support de montage (assurez-vous que la rosace repose sur les deux vis du support), tournez la rosace pour vous assurer que la tête de la vis se trouve à l'extrémité des trous et serrez enfin les vis jusqu'à ce que la rosace soit solidement fixée. Soulevez ensuite le couvercle décoratif magnétisé pour couvrir les vis de la rosette.

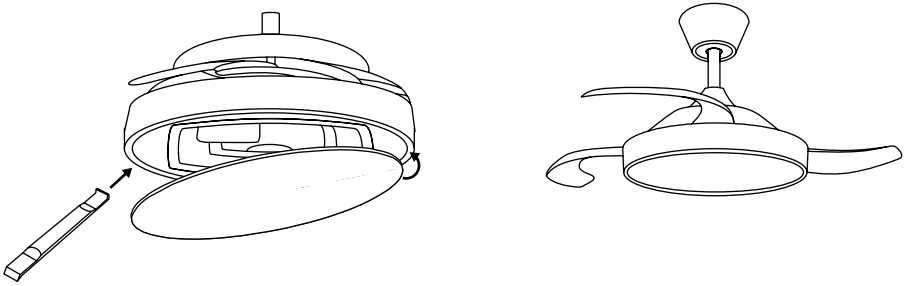
## PLACEMENT DU PANNEAU LUMINEUX



Connecter les fils de la carte de connexion avec les fils du panneau LED. Le panneau LED est magnétisé et se fixe à la carte de connexion par simple encliquetage des deux pièces.

**Remarque :** Lors de l'installation ou du retrait de la carte LED, veillez à ne pas toucher les languettes isolantes. Ne serrez pas trop les vis et ne les vissez pas rapidement, car cela pourrait endommager les languettes d'isolation.

## FIXATION DE L'ÉCRAN DÉCORATIF



Placez l'abat-jour de manière à ce qu'une extrémité repose sur le bord du corps du ventilateur. Pour mettre en place le reste de la pièce, insérez l'extrémité du levier dans l'espace restant et utilisez-le pour pousser doucement la languette de fixation vers l'arrière. Cela permettra à l'abat-jour de glisser jusqu'à sa position finale. Une fois que vous entendez le « clic » et que vous avez vérifié que la pièce est bien fixée, vous pouvez brancher l'appareil et profiter de votre nouveau ventilateur avec éclairage.

## VÉRIFIER L'INSTALLATION

- Vérifiez le bon fonctionnement du ventilateur de plafond, en recherchant tout mouvement étrange ou tout désalignement d'une partie du ventilateur.
- Si un bourdonnement ou une vibration est perceptible, vous pouvez procéder au réglage des pales à l'aide du kit d'équilibrage.
- Des contrepois autocollants et des clips en forme de U sont disponibles dans ce kit.

## CONNEXION À L'APPLICATION

\* Uniquement pour les modèles avec Wi-Fi



- L'application CREATE HOME est disponible pour Android et iOS (recherchez l'application sur Google Play ou App Store ou scannez le code QR). Selon le fournisseur, le téléchargement de l'application peut entraîner des frais.
- L'application vous permet de faire fonctionner l'appareil via votre réseau domestique. Comme condition essentielle, vous devez disposer d'un réseau Wi-Fi toujours connecté à votre routeur 2,4 Gh et à l'application gratuite CREATE. (Les fournisseurs Internet proposent actuellement 5Gh et 2,4Gh simultanément.)
- Nous vous recommandons de déconnecter l'appareil de l'alimentation électrique lorsque vous n'êtes pas chez vous afin d'éviter toute mise en marche involontaire pendant votre absence.

### COMMENT SE CONNECTER À L'APPLICATION

1. Installez l'application CREATE et créez un compte utilisateur.
2. Définissez un mot de passe de connexion et connectez-vous à l'application.
3. Cliquez sur « Ajouter un appareil » (+), puis cliquez sur la catégorie du ventilateur de plafond.



- Vous pouvez également sélectionner l'option "Scanner QR" pour ajouter l'appareil directement.

4. Sur la télécommande, maintenez enfoncés les boutons 1H et 4H pendant environ 5 secondes jusqu'à ce que vous entendiez un bip.
5. Ensuite, cliquez sur « Confirmer ».
6. Saisissez le mot de passe de votre réseau Wi-Fi et confirmez.
7. Lors de la connexion, assurez-vous que votre routeur, votre téléphone mobile et votre appareil sont aussi proches que possible. Enfin, le ventilateur de plafond sera ajouté avec succès à votre application CREATE.



Conformément aux directives: 2012/19 / UE et 2015/863 / UE sur la limitation de l'utilisation de substances dangereuses dans les équipements électriques et électroniques, ainsi que leur élimination des déchets. Le symbole avec la poubelle croisée indiqué sur l'emballage indique que le produit à la fin de sa durée de vie sera collecté en tant que déchet séparé. Par conséquent, tout produit ayant atteint la fin de sa durée de vie doit être livré dans des centres d'élimination des déchets spécialisés pour la collecte sélective des déchets d'équipements électriques et électroniques, ou retourné au détaillant lors de l'achat de nouveaux équipements similaires, en un seul pour une base. Une collecte séparée appropriée pour la mise en service ultérieure des équipements expédiés pour être recyclés, traités et éliminés d'une manière respectueuse de l'environnement aide à prévenir les effets négatifs potentiels sur l'environnement et la santé et optimise le recyclage et la réutilisation des les composants qui composent l'appareil. L'élimination abusive du produit par l'utilisateur implique l'application de sanctions administratives conformément aux lois.

Grazie per aver scelto il nostro ventilatore da soffitto. Prima di utilizzare questo elettrodomestico e al fine di garantirne il miglior uso, leggere attentamente le istruzioni.

Se seguite in modo corretto, le misure di sicurezza qui indicate riducono il rischio di incendio, scarica elettrica e lesioni. Conservare il manuale in un luogo sicuro per future consultazioni, come anche la garanzia, la ricevuta d'acquisto e la scatola. Se necessario, consegnare queste istruzioni al futuro proprietario dell'elettrodomestico. Seguire sempre le istruzioni fondamentali di sicurezza e le misure di prevenzione dei rischi quando si utilizza un elettrodomestico elettrico. Il fabbricante non sarà responsabile di alcun danno derivante dall'inosservanza di queste istruzioni da parte dell'utente.

## REQUISITI DI POSIZIONE E INSTALLAZIONE

---

### CONSIGLI DEL MECCANICO

- Secondo le norme di sicurezza, il punto più basso delle pale del ventilatore deve trovarsi ad almeno 2,3 metri da terra.
- Assicurarsi che la posizione scelta non consenta alle lame rotanti di entrare in contatto con alcun oggetto.
- Controllare che i travetti del soffitto siano sicuri, grandi e sufficientemente robusti da sostenere il peso del ventilatore.
- Per ridurre il rischio di incendio, scosse elettriche o lesioni personali, assicurarsi che la staffa di montaggio della ventola sia fissata direttamente alla struttura dell'edificio. **NON** montare in una scatola di distribuzione.
- La staffa di montaggio deve essere fissata saldamente a una struttura di supporto, come un tetto in cemento, una struttura in acciaio o un telaio in legno. Se viene aggiunta una cornice di legno, questa deve essere inchiodata o avvitata saldamente tra due travetti.
- Per ridurre il rischio di lesioni personali e danni materiali, non piegare o danneggiare l'asta verticale o le pale della ventola durante la movimentazione o l'installazione della ventola. Se si riscontrano danni al prodotto, contattare il nostro servizio post-vendita prima di procedere con l'installazione del ventilatore.
- Assicurarsi che il ventilatore sia fissato saldamente al soffitto. Tutte le viti di fissaggio devono essere controllate e serrate nuovamente quando necessario prima di avviare il ventilatore.

### SUGGERIMENTI ELETTRICI

- Spegnerne l'alimentazione prima di eseguire qualsiasi intervento sul ventilatore da soffitto e spegnere l'interruttore di alimentazione. Per evitare possibili scosse elettriche, verificare che l'alimentazione sia disattivata nella scatola dei fusibili o nel pannello dell'interruttore prima di eseguire il cablaggio.
- Il ventilatore, la staffa di montaggio e l'apparecchio di illuminazione devono essere collegati a terra. Controllare che tutte le giunzioni siano ben isolate.
- Controllare e confermare che tutte le connessioni siano corrette e sicure. Una volta effettuati tutti i collegamenti elettrici, conservare tutti i cavi in modo sicuro.
- Non tentare di controllare questo ventilatore da un interruttore a parete o da un telecomando non approvato dal produttore per l'uso con il ventilatore. **NON** utilizzare un controller a stato solido. L'uso di un interruttore a parete o di un telecomando non approvato annullerà la garanzia.
- Non collegare il ventilatore da soffitto a un dimmer.

## ISTRUZIONI DI SICUREZZA

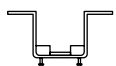
---

Prima di utilizzare qualsiasi dispositivo elettrico, leggere attentamente le misure di sicurezza di base:

- Questo apparecchio non è destinato all'uso da parte di persone con disabilità fisiche, sensoriali o mentali, o da persone prive di esperienza e conoscenza, a meno che non siano supervisionate o abbiano ricevuto istruzioni riguardo al suo uso sicuro e comprendano i potenziali rischi ad esso associati.
- I bambini non riconoscono i pericoli associati al funzionamento di un ventilatore da soffitto. Tenere i bambini lontano dai ventilatori a soffitto.
- Non esporre il ventilatore a soffitto a pioggia o umidità. Non azionare il ventilatore da soffitto all'aperto o con le mani bagnate.
- Utilizzare solo CREATE pezzi di ricambio.
- Per ridurre il rischio di lesioni personali, fissare il ventilatore direttamente alla struttura portante dell'edificio seguendo queste istruzioni e utilizzare esclusivamente la ferramenta in dotazione.
- Per evitare possibili scosse elettriche, prima di installare la ventola, scollegare l'alimentazione disattivando gli interruttori automatici sulla scatola della presa e la posizione dell'interruttore a parete associato. Se non è possibile bloccare gli interruttori automatici in posizione off, posizionare un avviso ben visibile, ad esempio un'etichetta, sul pannello di servizio.
- Per ridurre il rischio di lesioni personali, non piegare il sistema di montaggio della lama durante l'installazione, il bilanciamento o la pulizia della ventola. Non inserire mai oggetti estranei tra le pale della ventola rotanti.
- Per ridurre il rischio di incendio o danni al motore, non utilizzare un controllo della velocità a stato solido con questa ventola. Usa solo CREA controlli di velocità.

**Nota:** Importanti precauzioni di sicurezza e istruzioni contenute in questo manuale non intendono coprire tutte le condizioni e le situazioni che possono verificarsi. Durante l'installazione e il funzionamento di questa ventola, sono necessari buon senso e cautela.

## ELENCO DELLE PARTI



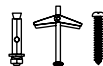
Supporto  
montaggio



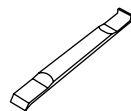
Rosetta



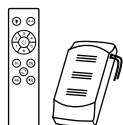
Magnetico  
copertura decorativa



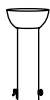
Viti



Leva



Telecomando e  
controller



Barra



Bar di  
estensione



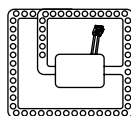
Corpo del ventilatore  
(Motore)



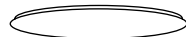
Pannello della  
lampada



Ordinare



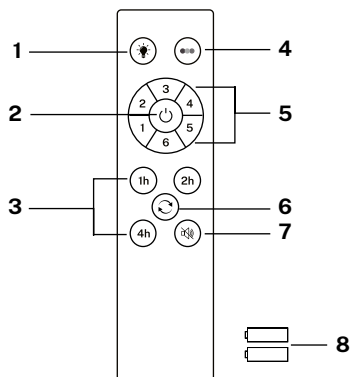
Piastra luminosa



Proveniente da

## TELECOMANDO

1. Leggero
2. Tasto ON/OFF
3. Timer
4. Controllo della temperatura del colore
5. Controllo dell'intensità della ventola
6. Funzione inversa
7. Pulsante di disattivazione dell'audio
8. Batterie (2 x AAA)



### Associazione del controller

1. Spegner l'interruttore principale della stanza in cui è stato installato il ventilatore per almeno 10 secondi.
2. Accendere l'interruttore e sentire un segnale acustico; entro 3 secondi, tenere premuto il pulsante di accensione/spegnimento fino a quando non si sente un segnale acustico.
3. Se il processo di accoppiamento non ha successo, ripetere nuovamente i passaggi sopra descritti dopo aver spento l'interruttore a parete per almeno 1 minuto.

## ☀️ LUCE

Accende e spegne la luce della ventola indipendentemente dal fatto che la ventola sia in funzione o meno.

## 🔌 ACCESO SPENTO

Accende o spegne completamente la ventola, indipendentemente dal fatto che abbia la luce accesa o spenta.

## 🕒 1h TIMER

Pianifica lo spegnimento automatico scegliendo tra le opzioni disponibili.

## 🔄 FUNZIONE INVERSA

Cambiare il senso di rotazione delle pale del ventilatore. La funzione inverno (svolta a destra) spinge verso il basso l'aria calda accumulata nel soffitto e la funzione estate (svolta a sinistra) genera una brezza che raffredda l'ambiente.

## ☀️ TEMPERATURA COLORE

Alterna tra i tre tipi di temperature di colore della luce disponibili (calda, neutra e fredda).

## 🌀 INTENSITÀ DELLA VENTOLA

Aumentare o diminuire la velocità di rotazione delle pale del ventilatore.

## 🔇 DISABILITA SUONO/DISABILITA SUONO

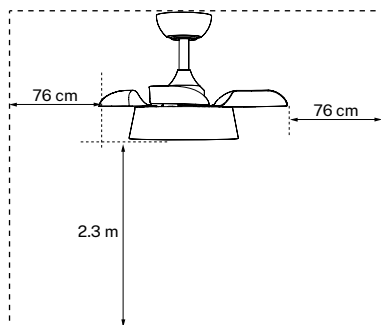
Premendo il pulsante di disattivazione del suono è possibile silenziare i suoni emessi dalla ventola quando si preme un tasto qualsiasi sul telecomando.

## ISTRUZIONI PER L'INSTALLAZIONE

- Segnare la corretta posizione dei fori e fissare la staffa a soffitto utilizzando le viti con tasselli metallici o viti e rondelle adeguate al tipo di soffitto scelto.
- Verificare la corretta installazione della staffa prima di appendere la ventola. Questa piastra deve sostenere l'intero peso della ventola.

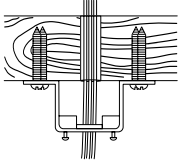
### PREPARAZIONE ALL'INSTALLAZIONE

- Per evitare lesioni personali e lesioni personali, accertarsi che il luogo in cui si intende appendere la ventola consenta alle pale di trovarsi a 2,3 m o più da terra e a 76 cm dalla parete o dall'ostacolo più vicino.
- Assicurarci che la scatola di giunzione sia adeguatamente fissata alla struttura dell'edificio e possa sostenere l'intero peso del ventilatore.



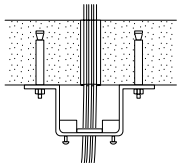
## INSTALLAZIONE DELLA STAFFA DI MONTAGGIO

- Verificare che il soffitto dove si intende montare il ventilatore sia stabile e capace di sostenere in sicurezza il peso del ventilatore.
- Non fissare la staffa di montaggio direttamente su soffitti di spessore inferiore a 10 mm per evitare il rischio che la vite si allenti e fuoriesca.
- Segnare la posizione corretta dei fori e fissare la staffa a soffitto utilizzando viti con tasselli metallici o viti e rondelle adatte al tipo di soffitto scelto.do.



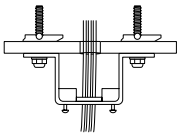
### Tetto in legno

Praticare i fori necessari e quindi fissare la staffa di montaggio con le viti e le rondelle per legno ai giunti del soffitto.



### Tetto in cemento

Praticare i fori con una punta da 8 mm, in base alla lunghezza delle viti ad espansione. Quindi, fissare la staffa di montaggio al soffitto con le viti ad espansione.



### Falso tecnico

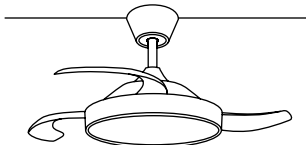
Praticare i fori necessari e fissare la staffa di montaggio con le speciali viti di fissaggio a molla per l'utilizzo in controsoffitti.

- Una volta installata la staffa di fissaggio, verificare che sia installata correttamente prima di appendere il ventilatore. La staffa di fissaggio deve sostenere il peso totale del ventilatore.

## INSTALLAZIONE DELLA BARRA DI SOSPENSIONE

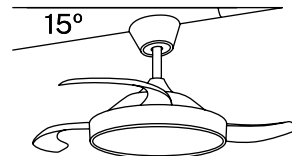
- Scegli la barra di sospensione più adatta alla tua situazione.
- Rimuovere il bullone dalla barra, rimuovendo il perno e passare il tettuccio (rivestimento del tetto) e il tettuccio del motore attraverso la barra di sospensione. Quindi, instradare i cavi del motore della ventola all'interno della barra di sospensione. Stringere la barra di sospensione sul motore e inserire il bullone e il perno.

### Assemblaggio tradizionale



Con il montaggio tradizionale l'apparecchio pende dal soffitto con un'asta.

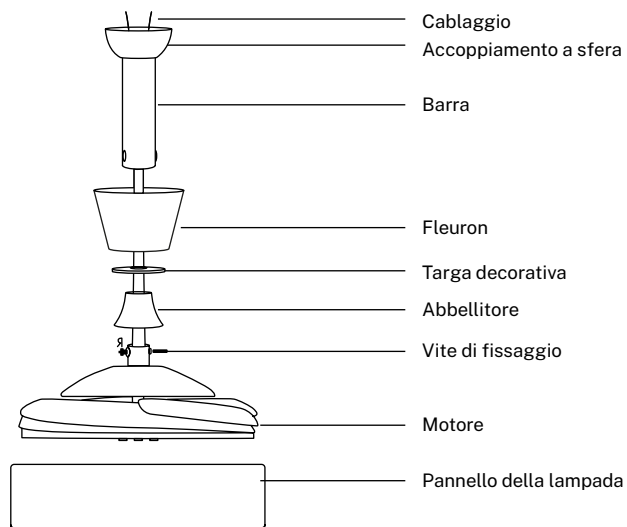
### Montaggio ad angolo



Il montaggio ad angolo si raccomanda su soffitti inclinati o a cupola.

Questo ventilatore può essere installato sia su un soffitto normale che a volta e può estendere la lunghezza di sospensione con l'asta di sospensione più lunga (in dotazione). Per installare la barra appendiabiti avrai bisogno dei seguenti strumenti: un cacciavite, un cacciavite a testa piatta, una pinza o una chiave regolabile, una scala a pioli, un tronchese e del nastro isolante.

## INSTALLAZIONE DEL SISTEMA DI SOSPENSIONE

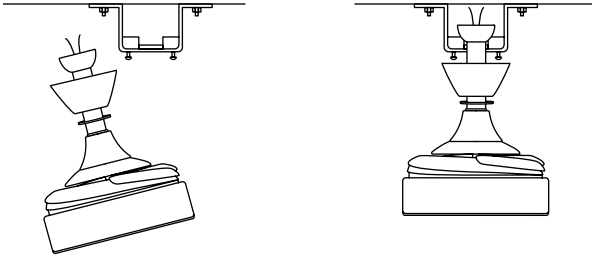


- Se desideri estendere la lunghezza di sospensione del tuo ventilatore, rimuovi la sfera dall'asta di sospensione e utilizza l'asta di prolunga aggiuntiva (inclusa).
- Se desideri utilizzare la barra di estensione, segui le seguenti istruzioni:
  1. Per rimuovere la sfera dall'asta di sospensione, allentare la vite di fissaggio e rimuovere le copiglie.
  2. Abbassare la sfera e rimuovere il perno di bloccaggio.
  3. Togli la sfera dalla barra di sospensione e inseriscila nella barra di sospensione più lunga (la parte superiore della barra ha un foro per la vite di fissaggio; usalo per fissare la barra).
  4. Inserire il perno di bloccaggio nell'estremità dell'asta di sospensione e sollevare la sfera. Assicurarsi che il perno di bloccaggio sia allineato con le scanalature all'interno della sfera e fissare la vite di fissaggio.

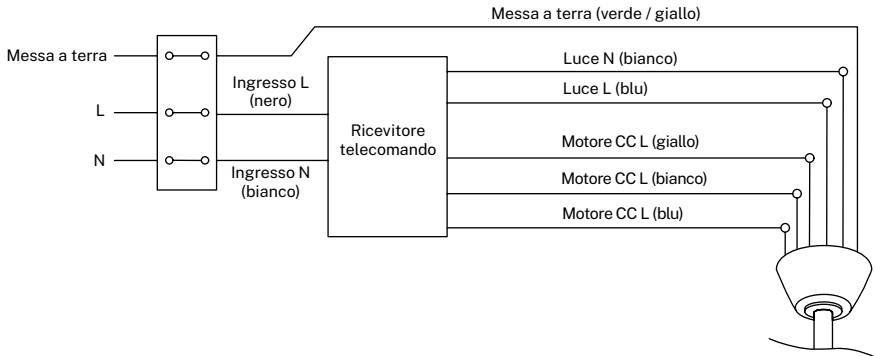
**Consiglio:** Per facilitare l'inserimento dei fili nella barra, posizionare del nastro isolante attorno ai fili. Questo ti aiuterà a tenerli insieme mentre li inserisci nella barra.

5. Allentare le viti di montaggio e la rondella dalla parte superiore dell'alloggiamento del motore. Rimuovi i perni della barra (se non l'hai già fatto). Inserire la rosetta attraverso la barra.
6. Infilare i cavi attraverso la barra e tirare i cavi in eccesso dalla parte superiore della barra per stringerli.
7. Posiziona la barra all'interno dell'alloggiamento del motore e inserisci i perni rimossi in precedenza. Stringere le viti e le rondelle.
8. Afloje y retire los tornillos del motor, coloque el panel de la lámpara alineando los orificios correspondientes y vuelva a insertar y apretar los tornillos para fijar correctamente el panel.
9. Abbassare il tettuccio verso l'alloggiamento del motore.

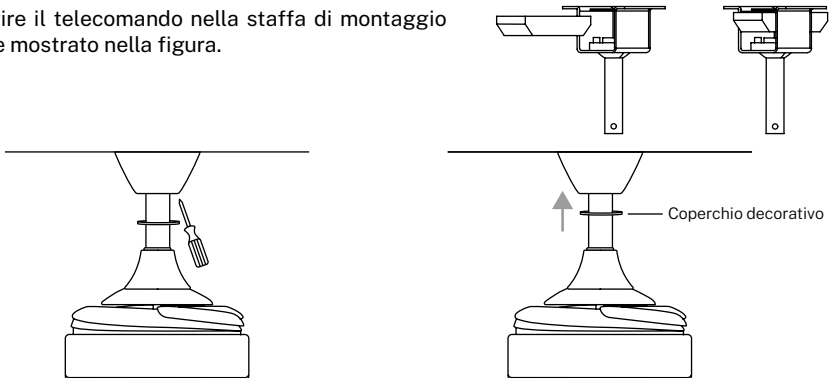
## APPENDERE IL VENTILATORE



1. Posizionare il tubo obliquo con la sfera di sospensione nella staffa di montaggio, ruotare il gruppo motore finché la linguetta di controllo sulla staffa di montaggio non è caduta nella scanalatura di registrazione della sfera di sospensione ed è saldamente inserita.

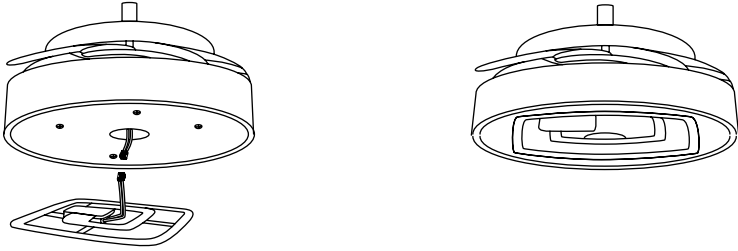


2. Eseguire il collegamento tra i fili del ricevitore e i fili del motore del ventilatore in base alle indicazioni cromatiche. Assicurarsi che il collegamento sia ben saldo.
3. Inserire il telecomando nella staffa di montaggio come mostrato nella figura.



4. Sollevare il rosone fino al soffitto per coprire la staffa di montaggio (assicurarsi che il rosone poggi sulle due viti della staffa), ruotare il rosone per assicurarsi che la testa della vite sia all'estremità dei fori e infine stringere le viti fino a quando non è fissato saldamente. Sollevare quindi la copertura decorativa magnetizzata per coprire le viti della rosetta.

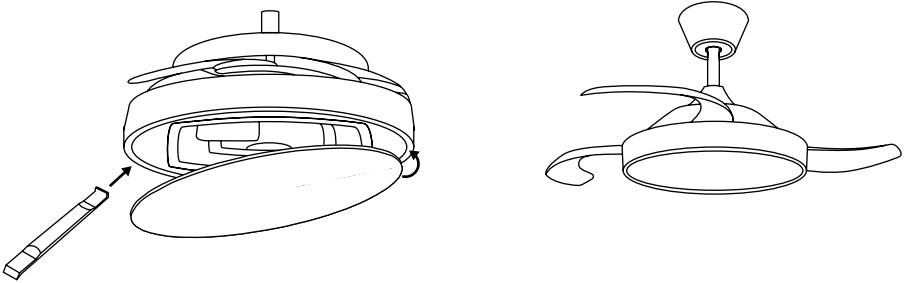
## POSIZIONAMENTO DEL PANNELLO LUMINOSO



Collegare i fili della scheda di connessione con quelli del pannello LED. Il pannello LED è magnetizzato e si attacca alla scheda di connessione semplicemente incastrando i due pezzi.

**Nota:** Durante l'installazione o la rimozione della scheda LED, fare attenzione a non toccare le linguette isolanti. Non serrare eccessivamente le viti o avvitarle rapidamente per non danneggiare le linguette isolanti.

## FISSARE LO SCHERMO DECORATIVO



Posiziona il paralume in modo che un'estremità poggi sul bordo del corpo del ventilatore. Per fissare il resto del paralume, inserisci la punta della leva nello spazio rimasto e usala per spingere delicatamente all'indietro la linguetta di fissaggio. In questo modo il paralume scivolerà nella sua posizione definitiva. Una volta sentito il "clic" e verificato che il paralume sia ben fissato, puoi collegare l'alimentazione e goderti il tuo nuovo ventilatore con luce.

## CONTROLLARE L'INSTALLAZIONE

- Verificare il corretto funzionamento del ventilatore da soffitto, controllando che non vi siano strani movimenti o disallineamenti di qualsiasi parte del ventilatore.
- Se si notano ronzii/vibrazioni, si può procedere alla regolazione delle pale con il kit di equilibratura.
- In questo kit sono disponibili contrappesi autoadesivi e clip a U.

## CONNESSIONE ALL'APP

*\*Solo per modelli con Wi-Fi*



- L'applicazione CREATE HOME è disponibile sia per Android che per iOS (cercate l'applicazione su Google Play o App Store o scansionate il codice QR). A seconda del provider, il download dell'app può comportare dei costi.
  - Con l'app è possibile utilizzare il dispositivo tramite la rete domestica. Il prerequisito è una connessione wifi permanente al router 2.4 Gh e l'applicazione gratuita CREATE HOME. (I provider Internet attualmente offrono sia 5Gh che 2,4Gh contemporaneamente).
- Si consiglia di scollegare il dispositivo dall'alimentazione quando si è lontani da casa per evitare accensioni involontarie durante l'assenza.

### COME CONNETTERSI ALL'APP

1. Installa l'app CREATE e crea un account utente.
2. Imposta una password di accesso e accedi all'app.
3. Fare clic su "Aggiungi dispositivo" (+) e quindi fare clic sulla categoria del ventilatore da soffitto.



- È anche possibile selezionare l'opzione "Scansione QR" per aggiungere direttamente il dispositivo.

4. Sul telecomando, tieni premuti i pulsanti 1H e 4H per circa 5 secondi finché non senti un segnale acustico.
5. Successivamente, fai clic su "Conferma".
6. Inserisci la password della tua rete Wi-Fi e conferma.
7. Durante la connessione, assicurati che il router, il telefono cellulare e il dispositivo siano il più vicini possibile. Infine, il ventilatore da soffitto verrà aggiunto con successo alla tua applicazione CREATE.



In conformità con le direttive: 2012/19 / UE e 2015/863 / UE sulla restrizione dell'uso di sostanze pericolose nelle apparecchiature elettriche ed elettroniche, nonché sul loro smaltimento dei rifiuti. Il simbolo con la pattumiera incrociata mostrato sulla confezione indica che il prodotto al termine della sua vita utile verrà raccolto come rifiuto separato. Pertanto, qualsiasi prodotto che ha raggiunto la fine della sua vita utile deve essere consegnato a centri specializzati di smaltimento dei rifiuti per la raccolta selettiva di rifiuti di apparecchiature elettriche ed elettroniche o restituito al rivenditore al momento dell'acquisto di nuove apparecchiature simili, in un'unica per una base. Una corretta raccolta separata per la successiva messa in servizio di apparecchiature spedite per essere riciclate, trattate e smaltite in modo ecologico aiuta a prevenire potenziali effetti negativi sull'ambiente e sulla salute e ottimizza il riciclaggio e il riutilizzo di i componenti che compongono il dispositivo. L'eliminazione abusiva del prodotto da parte dell'utente implica l'applicazione di sanzioni amministrative in conformità con le leggi.

Vielen Dank, dass Sie sich für unseren Deckenventilator entschieden haben. Bevor Sie dieses elektrische Haushaltsgerät verwenden und um die optimale Bedienung sicherzustellen, lesen Sie bitte diese Anleitung aufmerksam durch.

Die hier angegebenen Sicherheitsvorkehrungen verringern bei ordnungsgemäßer Einhaltung das Brandrisiko, das Risiko von elektrischen Entladungen und von Verletzungen. Bewahren Sie die Anleitung zur späteren Einsichtnahme wie auch die Garantie, den Einkaufsbeleg und die Verpackung an einem sicheren Ort auf. Händigen Sie gegebenenfalls die Anleitung an den nächsten Besitzer des elektrischen Haushaltsgeräts aus. Befolgen Sie stets die grundlegenden Sicherheitsanweisungen sowie die Maßnahmen zur Vorbeugung von Risiken, wenn Sie ein elektrisches Haushaltsgerät verwenden. Der Hersteller übernimmt keine Verantwortung für Schäden infolge Nichtbefolgung dieser Anweisungen durch den Benutzer.

## STANDORT- UND INSTALLATIONSANFORDERUNGEN

---

### TIPPS FÜR MECHANIKER

- Gemäß den Sicherheitsvorschriften muss der tiefste Punkt der Ventilatorflügel mindestens 2,3 Meter über dem Boden liegen.
- Stellen Sie sicher, dass der gewählte Standort es den rotierenden Messern nicht erlaubt, mit irgendwelchen Gegenständen in Kontakt zu kommen.
- Überprüfen Sie, ob die Deckenbalken sicher und groß und stark genug sind, um das Gewicht des Ventilators zu tragen.
- Um das Risiko von Bränden, Stromschlägen oder Verletzungen zu verringern, stellen Sie sicher, dass die Lüfterhalterung direkt an der Gebäudestruktur befestigt ist. Nicht in einem Verteilerkasten montieren.
- Die Montagehalterung muss sicher an einer tragenden Struktur, beispielsweise einem Betondach, einer Stahlkonstruktion oder einem Holzrahmen, verschraubt sein. Wenn ein Holzrahmen hinzugefügt wird, sollte dieser fest zwischen zwei Balken genagelt oder verschraubt werden.
- Um das Risiko von Personen- und Sachschäden zu verringern, dürfen Sie die vertikale Stange oder die Lüfterflügel bei der Handhabung oder Installation des Lüfters nicht verbiegen oder beschädigen. Wenn Sie Schäden am Produkt feststellen, wenden Sie sich an unseren Kundendienst, bevor Sie mit der Installation des Ventilators fortfahren.
- Stellen Sie sicher, dass der Ventilator sicher an der Decke befestigt ist. Alle Befestigungsschrauben sollten vor der Inbetriebnahme des Ventilators überprüft und bei Bedarf nachgezogen werden.

### ELEKTRISCHE TIPPS

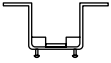
- Schalten Sie den Strom aus, bevor Sie Arbeiten am Deckenventilator durchführen, und schalten Sie den Netzschalter aus. Um einen möglichen Stromschlag zu vermeiden, prüfen Sie vor der Verkabelung, ob der Strom am Sicherungskasten oder am Leistungsschalterfeld ausgeschaltet ist.
- Ventilator, Montagehalterung und Beleuchtungsgeräte müssen geerdet sein. Überprüfen Sie, ob alle Verbindungen gut isoliert sind.
- Überprüfen und bestätigen Sie, dass alle Verbindungen korrekt und sicher sind. Nachdem alle elektrischen Anschlüsse hergestellt wurden, bewahren Sie alle Kabel sicher auf.
- Versuchen Sie nicht, diesen Ventilator über einen Wandschalter oder eine Fernbedienung zu steuern, die nicht vom Hersteller für die Verwendung mit dem Ventilator zugelassen ist. Verwenden Sie keinen Solid-State-Controller. Bei Verwendung eines nicht zugelassenen Wandschalters oder einer nicht zugelassenen Fernbedienung erlischt Ihre Garantie.
- Schließen Sie den Deckenventilator nicht an einen Dimmschalter an.

Lesen Sie vor der Verwendung eines elektrischen Geräts sorgfältig die grundlegenden Sicherheitsmaßnahmen:

- Dieses Gerät ist nicht für die Verwendung durch Personen mit körperlichen, sensorischen oder geistigen Behinderungen oder mangels Erfahrung und Wissen bestimmt, es sei denn, sie werden beaufsichtigt oder erhalten Anweisungen zur sicheren Verwendung und verstehen die damit verbundenen potenziellen Gefahren.
- Kinder erkennen die Gefahren nicht, die mit dem Betrieb eines Deckenventilators verbunden sind. Halten Sie Kinder von Deckenventilatoren fern.
- Setzen Sie den Deckenventilator weder Regen noch Feuchtigkeit aus. Betreiben Sie den Deckenventilator nicht im Freien oder mit nassen Händen.
- Verwenden Sie nur CREATE-Ersatzteile.
- Um das Verletzungsrisiko zu verringern, befestigen Sie den Ventilator gemäß dieser Anleitung direkt an der tragenden Struktur des Gebäudes und verwenden Sie nur die mitgelieferten Befestigungsteile.
- Um einen möglichen Stromschlag zu vermeiden, trennen Sie vor der Installation des Lüfters die Stromversorgung, indem Sie die Leistungsschalter an der Anschlussdose und dem zugehörigen Wandschalter ausschalten. Wenn Sie die Leistungsschalter nicht in der Aus-Position verriegeln können, bringen Sie einen deutlichen Hinweis, z. B. ein Schild, an der Wartungstafel an.
- Um das Risiko von Körperverletzungen zu verringern, biegen Sie das Blattbefestigungssystem nicht, wenn Sie den Ventilator installieren, auswuchten oder reinigen. Stecken Sie niemals Fremdkörper zwischen die rotierenden Lüfterflügel.
- Um die Brandgefahr oder Motorschäden zu verringern, verwenden Sie mit diesem Lüfter keine Festkörper-Drehzahlregelung. Verwenden Sie nur CREATE-Geschwindigkeitssteuerungen.

**Notiz:** Wichtige Sicherheitsvorkehrungen und Anweisungen in diesem Handbuch decken nicht alle Bedingungen und Situationen ab, die auftreten können. Beim Einbau und Betrieb dieses Lüfters sind gesunder Menschenverstand und Vorsicht geboten.

## LISTE DER EINZELTEILE



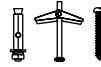
Die Unterstützung  
montage



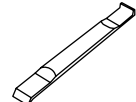
Fleuron



Dekorative  
magnetische  
Abdeckung



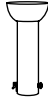
Schrauben



Hebel



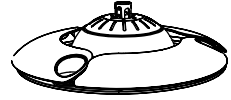
Fernbedienung und  
Controller



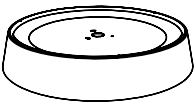
Bar



Verlängerungsstange



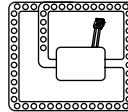
Ventilatorgehäuse  
(Motor)



Lampenabdeckung



Trimmen



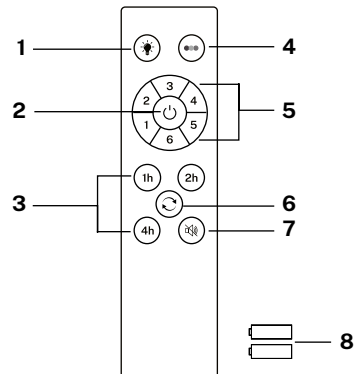
Leuchtplatte



Kommt von

## FERNBEDIENUNG

1. Licht
2. An / aus Schalter
3. Timer
4. Farbtemperurregelung
5. Steuerung der Lüfterintensität
6. Umkehrfunktion
7. Ton-Aus-Taste
8. Batterien (2 x AAA)



### Controller-Kopplung

1. Schalten Sie den Hauptlichtschalter in dem Raum, in dem Sie den Ventilator installiert haben, für mindestens 10 Sekunden aus. Schalten Sie den Schalter ein, und Sie hören einen
2. Signalton. Drücken Sie innerhalb von 3 Sekunden die Ein-/Aus-Taste und halten Sie sie gedrückt, bis Sie einen Signalton hören.
3. Wenn der Kopplungsprozess nicht erfolgreich ist, wiederholen Sie die oben genannten Schritte, nachdem Sie den Wandschalter für mindestens 1 Minute ausgeschaltet haben.

## HELL

Schaltet das Lüfterlicht ein und aus, unabhängig davon, ob der Lüfter läuft oder nicht.

## AN AUS

Schaltet den Lüfter vollständig ein oder aus, unabhängig davon, ob das Licht an ist oder nicht.

## 1h TIMER

Planen Sie das automatische Herunterfahren, indem Sie eine der verfügbaren Optionen auswählen.

## RÜCKWÄRTSFUNKTION

Ändern Sie die Drehrichtung der Lüfterflügel. Die Winterfunktion (nach rechts drehen) drückt die in der Decke angesammelte heiße Luft nach unten und die Sommerfunktion (nach links drehen) erzeugt eine Brise, die den Raum kühlt.

## FARBTEMPERATUR

Schaltet zwischen den drei verfügbaren Lichtfarbtemperaturtypen um (warm, neutral und kühl).

## LÜFTERINTENSITÄT

Erhöht oder verringert die Rotationsgeschwindigkeit der Lüfterflügel.

## TON DEAKTIVIEREN TON DEAKTIVIEREN

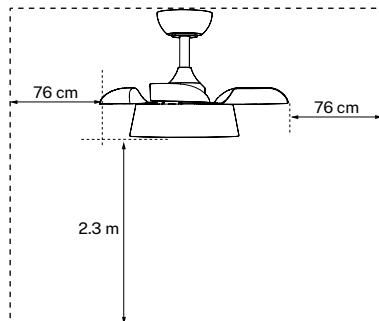
Durch Drücken der Taste „Ton aus“ können Sie die Geräusche stummschalten, die der Ventilator erzeugt, wenn Sie eine beliebige Taste auf der Fernbedienung drücken.

## INSTALLATIONSANLEITUNG

- Markieren Sie die richtige Position der Löcher und befestigen Sie die Deckenhalterung mit den Schrauben mit Metalldübeln oder Schrauben und Unterlegscheiben, die für den gewählten Deckentyp geeignet sind.
- Überprüfen Sie die korrekte Installation der Halterung, bevor Sie den Ventilator aufhängen. Diese Platte muss das gesamte Gewicht des Lüfters tragen.

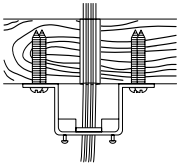
## INSTALLATIONSVORBEREITUNG

- Um Personenschäden und Verletzungen zu vermeiden, vergewissern Sie sich, dass der Platz, an dem Sie den Ventilator aufhängen, eine Mindesthöhe der Flügel von 2,3 m über dem Boden und 76 cm von der nächsten Wand oder einem Hindernis zulässt.
- Stellen Sie sicher, dass der Anschlusskasten ausreichend an der Gebäudestruktur befestigt ist und das volle Gewicht des Ventilators tragen kann.



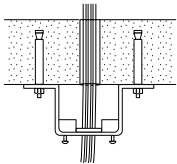
## MONTAGE DER MONTAGEHALTERUNG

- Stellen Sie sicher, dass die Decke, an der Sie den Ventilator montieren möchten, stabil ist und das Gewicht des Ventilators sicher tragen kann.
- Befestigen Sie die Montagehalterung nicht direkt an Decken mit einer Dicke von weniger als 10 mm, um das Risiko zu vermeiden, dass sich die Schraube löst und herauskommt.
- Markieren Sie die richtige Position der Löcher und befestigen Sie die Deckenhalterung mit Schrauben mit Metalldübeln oder Schrauben und Unterlegscheiben, die für den gewählten Deckentyp geeignet sind.



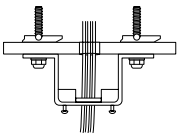
### Holzdach

Bohren Sie die erforderlichen Löcher und befestigen Sie dann die Montagehalterung mit den Holzschrauben und Unterlegscheiben an den Deckenverbindungen.



### Betondach

Bohren Sie mit einem 8-mm-Bohrer Löcher entsprechend der Länge der Dehnschrauben. Befestigen Sie anschließend die Montagehalterung mit den Dehnschrauben an der Decke.



### Zwischendecke

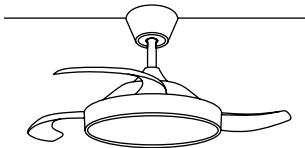
Bohren Sie die erforderlichen Löcher und befestigen Sie die Halterung mit den speziellen Federhebel-Befestigungsschrauben für den Einsatz in Zwischendecken.

- Überprüfen Sie nach der Montage des Befestigungsbügels den korrekten Einbau, bevor Sie den Ventilator aufhängen. Der Befestigungsbügel muss das volle Gewicht des Ventilators tragen.

## AUFHÄNGUNGSSTANGE EINBAUEN

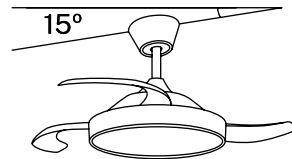
- Wählen Sie die Aufhängungsstange, die am besten zu Ihrer Situation passt.
- Entfernen Sie die Schraube von der Stange, entfernen Sie den Stift und führen Sie das Verdeck (Dachverkleidung) und das Motorverdeck durch die Aufhängungsstange. Führen Sie anschließend die Kabel des Lüftermotors durch die Innenseite der Aufhängungsstange. Ziehen Sie die Aufhängungsstange am Motor fest und setzen Sie die Schraube und den Stift ein.

### Traditionelle Montage



Bei der traditionellen Befestigungsweise hängt der Ventilator an einer Stange von der Decke.

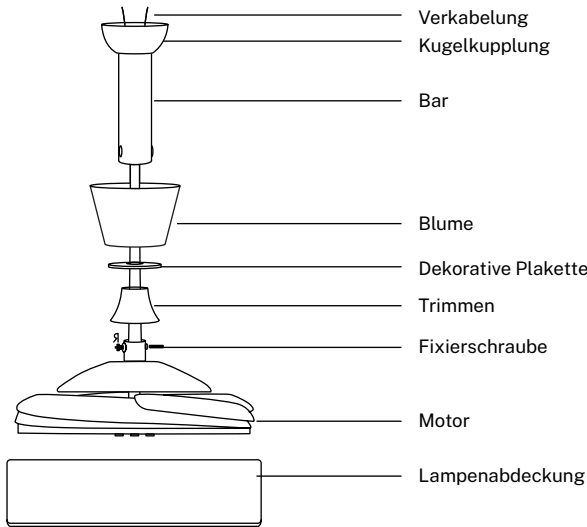
### Winkelmontage



Die abgewinkelte Befestigungsweise wird bei abgeschrägten oder gewölbten Decken empfohlen.

Dieser Ventilator kann sowohl an einer normalen als auch an einer gewölbten Decke installiert werden und kann die Aufhängelänge mit der längeren Aufhängungsstange (im Lieferumfang enthalten) verlängern. Um die Kleiderstange zu installieren, benötigen Sie die folgenden Werkzeuge: einen Schraubendreher, einen Schlitzschraubendreher, eine verstellbare Zange oder einen Schraubenschlüssel, eine Trittleiter, einen Drahtschneider und ein Isolierband.

## INSTALLATION DES AUFHÄNGUNGSSYSTEMS



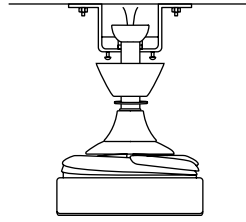
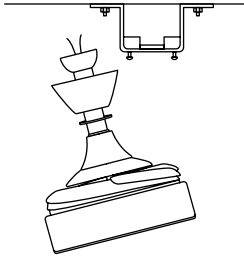
- Wenn Sie die Aufhängelänge Ihres Ventilators verlängern möchten, entfernen Sie die Kugel von der Aufhängestange und verwenden Sie die zusätzliche Verlängerungsstange (im Lieferumfang enthalten).
- Wenn Sie die Erweiterungsleiste verwenden möchten, befolgen Sie die folgenden Anweisungen:

1. Um die Kugel von der Aufhängungsstange zu entfernen, lösen Sie die Stellschraube und entfernen Sie die Splinte.
2. Senken Sie die Kugel ab und entfernen Sie den Sicherungsstift.
3. Nehmen Sie die Kugel aus der Kleiderstange und stecken Sie sie in die längere
4. Kleiderstange (die Oberseite der Stange hat ein Loch für die Stellschraube; verwenden Sie diese, um die Stange zu befestigen). Stecken Sie den Sicherungsstift in das Ende der Aufhängestange und heben Sie die Kugel an. Stellen Sie sicher, dass der Sicherungsstift mit den Rillen im Inneren der Kugel ausgerichtet ist, und befestigen Sie die Stellschraube.

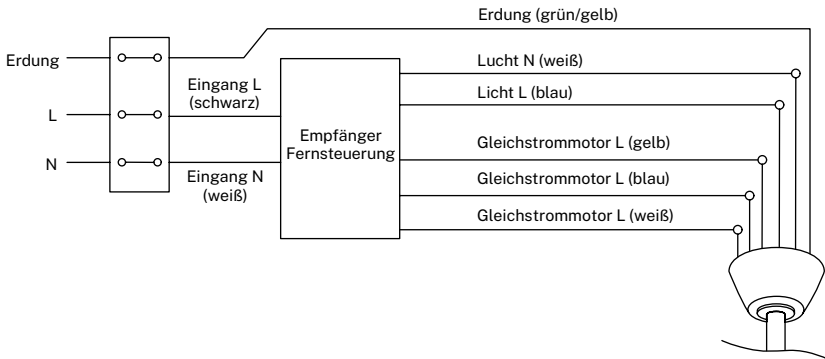
**Beratung:** Um das Einführen der Drähte in die Schiene zu erleichtern, kleben Sie etwas Isolierband um die Drähte. Dies hilft Ihnen, sie beim Einsetzen in die Leiste zusammenzuhalten.

5. Lösen Sie die Befestigungsschrauben und die Unterlegscheibe von der Oberseite des Motorgehäuses. Entfernen Sie die Stangenstifte (falls Sie dies noch nicht getan haben). Stecken Sie die Rosette durch die Stange.
6. Führen Sie die Kabel durch die Stange und ziehen Sie die überschüssigen Kabel von der Oberseite der Stange ab, um sie festzuziehen.
7. Platzieren Sie die Stange im Motorgehäuse und setzen Sie die zuvor entfernten Stifte ein. Ziehen Sie die Stellschrauben und Unterlegscheiben fest.
8. Lösen und entfernen Sie die Schrauben am Motor, setzen Sie die Lampenabdeckung auf, indem Sie die entsprechenden Löcher ausrichten, und setzen Sie die Schrauben wieder ein und ziehen Sie sie fest, um die Abdeckung ordnungsgemäß zu befestigen.
9. Senken Sie die Haube in Richtung Motorgehäuse ab.

## AUFHÄNGEN DES VENTILATORS

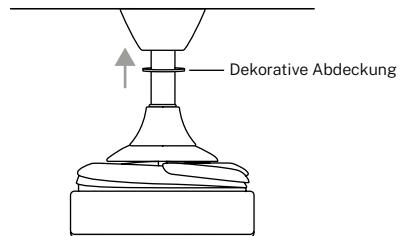
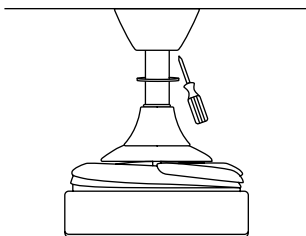
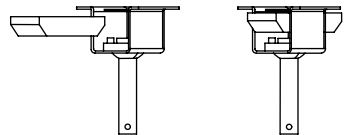


1. Setzen Sie das Fallrohr mit der Aufhängungskugel in die Montagehalterung ein, drehen Sie die Motorbaugruppe, bis die Sperrlasche an der Montagehalterung in die Passrinne der Aufhängungskugel gefallen ist und fest sitzt.



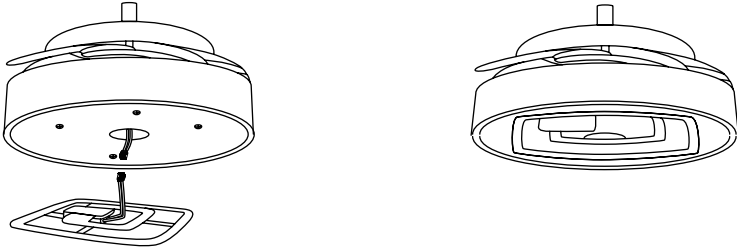
2. Stellen Sie die Verbindung zwischen den Drähten des Empfängers und den Drähten des Gebläsemotors gemäß den farbigen Angaben her. Stellen Sie sicher, dass die Verbindung fest ist.

3. Setzen Sie die Fernbedienung wie in der Abbildung gezeigt in die Halterung ein.



4. Heben Sie die Rosette bis zur Decke an, um die Montagehalterung abzudecken (achten Sie darauf, dass die Rosette auf den beiden Schrauben der Halterung sitzt), drehen Sie die Rosette, um sicherzustellen, dass sich der Schraubenkopf am Ende der Löcher befindet, und ziehen Sie schließlich die Schrauben fest, bis die Rosette sicher befestigt ist. Heben Sie dann die magnetisierte Zierabdeckung an, um die Schrauben der Rosette abzudecken.

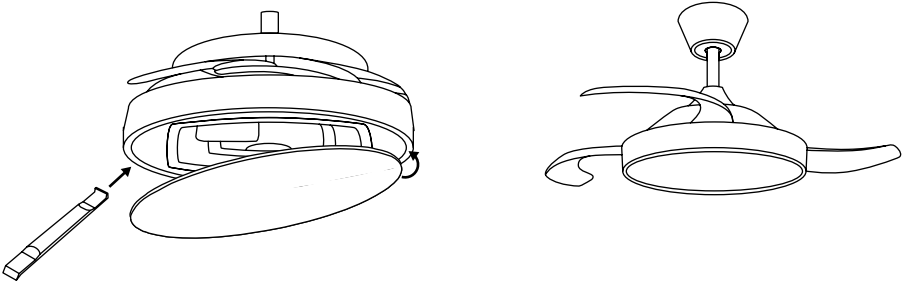
## PLATZIERUNG DER LEUCHTPLATTE



Verbinden Sie die Drähte der Anschlussplatine mit den Drähten des LED-Panels. Das LED-Panel ist magnetisch, sodass es durch einfaches Zusammenrasten der beiden Teile an der Anschlussplatine befestigt werden kann.

**Notiz:** Achten Sie beim Ein- und Ausbau der LED-Platine darauf, dass Sie die Isolierlaschen nicht berühren. Ziehen Sie die Schrauben nicht zu fest an und schrauben Sie sie nicht zu schnell ein, da dies zu einer Beschädigung der Isolierlaschen führen kann.

## BEFESTIGUNG DER ZIERBLENDE



Setzen Sie den Lampenschirm so auf, dass ein Ende auf der Kante des Ventilatorgehäuses aufliegt. Um den Rest des Teils anzubringen, führen Sie die Spitze des Hebels in die verbleibende Lücke ein und drücken Sie damit die Halteklammer vorsichtig nach hinten. So kann der Lampenschirm in seine endgültige Position gleiten. Sobald Sie ein Klicken hören und sich vergewissert haben, dass das Teil fest sitzt, können Sie den Strom anschließen und Ihren neuen Ventilator mit Licht genießen.

## ÜBERPRÜFEN SIE DIE INSTALLATION

- Überprüfen Sie die korrekte Funktion des Deckenventilators und achten Sie auf merkwürdige Bewegungen oder eine falsche Ausrichtung von Teilen des Ventilators.
- Wenn ein Brummen/Vibrieren zu hören ist, können Sie die Flügel mit dem Auswuchtkit einstellen.
- In diesem Kit sind selbstklebende Gegengewichte und u-förmige Klammern enthalten.

## VERBINDUNG ZUR APP

\* Nur für Modelle mit WLAN



- Die CREATE HOME-App ist sowohl für Android als auch für iOS verfügbar (suchen Sie die App bei Google Play oder im App Store oder scannen Sie den QR-Code). Je nach Anbieter können für das Herunterladen der App Kosten anfallen.
  - Mit der App können Sie das Gerät über Ihr Heimnetzwerk bedienen. Voraussetzung ist eine permanente WLAN-Verbindung zu Ihrem 2,4-GHz-Router und die kostenlose CREATE HOME App. (Internetanbieter bieten derzeit sowohl 5 GHz als auch 2,4 GHz gleichzeitig an).
- Wir empfehlen, das Gerät von der Stromversorgung zu trennen, wenn Sie nicht zu Hause sind, um ein unbeabsichtigtes Einschalten während Ihrer Abwesenheit zu vermeiden.

### SO STELLEN SIE EINE VERBINDUNG ZUR APP HER

1. Installieren Sie die CREATE-App und erstellen Sie ein Benutzerkonto.
2. Legen Sie ein Login-Passwort fest und melden Sie sich bei der App an.
3. Klicken Sie auf „Gerät hinzufügen“ (+) und dann auf die Kategorie für den Deckenventilator.



- Sie können auch die Option “QR scannen” wählen, um das Gerät direkt hinzuzufügen.
4. Halten Sie auf der Fernbedienung die Tasten 1H und 4H etwa 5 Sekunden lang gedrückt, bis Sie einen Piepton hören.
  5. Klicken Sie anschließend auf „Bestätigen“.
  6. Geben Sie Ihr WLAN-Netzwerkpasswort ein und bestätigen Sie.
  7. Stellen Sie beim Herstellen der Verbindung sicher, dass Ihr Router, Ihr Mobiltelefon und Ihr Gerät so nah wie möglich beieinander sind. Schließlich wird der Deckenventilator erfolgreich zu Ihrer CREATE-Anwendung hinzugefügt.



In Übereinstimmung mit den Richtlinien: 2012/19 / EU und 2015/863 / EU über die Beschränkung der Verwendung gefährlicher Stoffe in elektrischen und elektronischen Geräten sowie deren Abfallentsorgung. Das Symbol mit der gekreuzten Mülltonne auf der Verpackung zeigt an, dass das Produkt am Ende seiner Nutzungsdauer als separater Abfall gesammelt wird. Daher muss jedes Produkt, das das Ende seiner Nutzungsdauer erreicht hat, an spezialisierte Abfallentsorgungszentren zur selektiven Sammlung von elektrischen und elektronischen Abfallgeräten geliefert oder beim Kauf ähnlicher neuer Geräte an den Einzelhändler zurückgegeben werden für eine Basis. Die ordnungsgemäße getrennte Sammlung für die spätere Inbetriebnahme von Geräten, die zum umweltfreundlichen Recycling, zur Behandlung und Entsorgung versandt werden, trägt dazu bei, mögliche negative Auswirkungen auf Umwelt und Gesundheit zu vermeiden und das Recycling und die Wiederverwendung zu optimieren die Komponenten, aus denen das Gerät besteht. Die missbräuchliche Beseitigung des Produkts durch den Benutzer impliziert die Anwendung von Verwaltungsanktionen in Übereinstimmung mit den Gesetzen.

Bedankt voor het kiezen van onze plafondventilator. Lees de instructies aandachtig door voordat u dit apparaat gebruikt en om er zeker van te zijn dat u het optimaal gebruikt.

De hier vermelde veiligheidsmaatregelen verminderen het risico op brand, elektrische schokken en letsel als ze correct worden opgevolgd. Bewaar de handleiding op een veilige plaats voor toekomstig gebruik, evenals de garantie, aankoopbon en doos. Geef deze handleiding eventueel door aan de toekomstige eigenaar van het apparaat. Volg altijd de basisveiligheidsinstructies en risicopreventie-maatregelen bij het gebruik van een elektrisch apparaat. De fabrikant is niet aansprakelijk voor enige schade die het gevolg is van het niet naleven van deze instructies door de gebruiker.

## LOCATIE- EN INSTALLATIEVEREISTEN

---

### MECHANISCHE TIPS

- Conform veiligheidsvoorschriften moet het laagste punt van de ventilatorbladen zich minimaal 2,3 meter boven de grond bevinden.
- Zorg ervoor dat de gekozen locatie niet toelaat dat de roterende messen in contact komen met voorwerpen.
- Controleer of de plafondbalken stevig vastzitten en groot en sterk genoeg zijn om het gewicht van de ventilator te dragen.
- Om het risico op brand, elektrische schokken of persoonlijk letsel te verminderen, moet u ervoor zorgen dat de montagebeugel van de ventilator rechtstreeks aan de bouwconstructie wordt bevestigd. NIET monteren in een verdeelkast.
- De montagebeugel moet stevig worden vastgeschroefd aan een ondersteunende constructie, zoals een betonnen dak, staalconstructie of houten frame. Als er een houten frame wordt toegevoegd, moet dit stevig tussen twee balken worden gespijkerd of geschroefd.
- Om het risico op persoonlijk letsel en materiële schade te verminderen, mag u de verticale stang of ventilatorbladen niet buigen of beschadigen wanneer u de ventilator hanteert of installeert. Als u schade aan het product constateert, neem dan contact op met onze klantenservice voordat u doorgaat met de installatie van de ventilator.
- Zorg ervoor dat de ventilator stevig aan het plafond is bevestigd. Alle bevestigingsschroeven moeten worden gecontroleerd en indien nodig opnieuw worden vastgedraaid voordat de ventilator wordt gestart.

### ELEKTRISCHE TIPS

- Schakel de stroom uit voordat u werkzaamheden aan de plafondventilator uitvoert en schakel de stroomonderbreker uit. Om mogelijke elektrische schokken te voorkomen, moet u controleren of de stroom is uitgeschakeld bij de zekeringkast of het stroomonderbrekerpaneel voordat u de bedrading aansluit.
- De ventilator, montagebeugel en verlichtingsapparatuur moeten op aarde worden aangesloten. Controleer of alle verbindingen goed geïsoleerd zijn.
- Controleer en bevestig dat alle verbindingen correct en veilig zijn. Nadat alle elektrische aansluitingen zijn gemaakt, bergt u alle kabels veilig op.
- Probeer deze ventilator niet te bedienen met een wandschakelaar of afstandsbediening die niet door de fabrikant is goedgekeurd voor gebruik met de ventilator. Gebruik geen solid state-controller. Als u een niet-goedgekeurde wandschakelaar of afstandsbediening gebruikt, vervalt uw garantie.
- Sluit de plafondventilator niet aan op een dimmerschakelaar.

## BEVEILIGINGSINSTRUCTIES

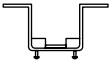
---

Lees aandachtig de elementaire veiligheidsmaatregelen voordat u een elektrisch apparaat gebruikt:

- Dit apparaat is niet bedoeld voor gebruik door personen met een lichamelijke, zintuiglijke of geestelijke handicap, of door personen met een gebrek aan ervaring en kennis, tenzij ze onder toezicht staan of instructies hebben gekregen met betrekking tot het veilige gebruik ervan en de mogelijke gevaren begrijpen die ermee verbonden zijn.
- Kinderen kennen de gevaren van het gebruik van een plafondventilator niet. Houd kinderen uit de buurt van plafondventilatoren.
- Stel de plafondventilator niet bloot aan regen of vocht. Gebruik de plafondventilator niet buitenshuis of met natte handen.
- Gebruik alleen CREATE-ervangingsonderdelen.
- Om het risico op lichamelijk letsel te verminderen, bevestigt u de ventilator rechtstreeks aan de ondersteunende structuur van het gebouw volgens deze instructies en gebruikt u alleen de meegeleverde hardware.
- Om mogelijke elektrische schokken te voorkomen, moet u voordat u de ventilator installeert, de stroom loskoppelen door de stroomonderbrekers op de contactdoos en de bijbehorende wandchakelaarlocatie uit te schakelen. Als u de stroomonderbrekers niet in de uit-stand kunt vergrendelen, plaatst u een opvallende mededeling, zoals een label, op het servicepaneel.
- Om het risico op lichamelijk letsel te verminderen, mag u het bladbevestigingssysteem niet buigen tijdens het installeren, balanceren of reinigen van de ventilator. Steek nooit vreemde voorwerpen tussen de draaiende ventilatorbladen.
- Gebruik bij deze ventilator geen solid-state snelheidsregeling om het risico op brand of motorschade te verminderen. Gebruik alleen CREATE snelheidsregelaars.

**Opmerking:** Belangrijke veiligheidsmaatregelen en instructies in deze handleiding zijn niet bedoeld om alle omstandigheden en situaties te dekken die zich kunnen voordoen. Bij het installeren en bedienen van deze ventilator is gezond verstand en voorzichtigheid geboden.

## ONDERDELEN LIJST



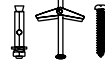
Steun  
Montage



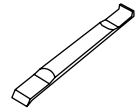
Rozet



Magnetisch  
decoratieve afdekking



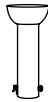
Schroeven



Hefboom



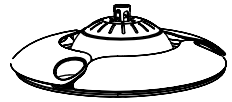
Afstandsbediening  
en controller



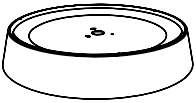
Bar



Reep  
Verlenging



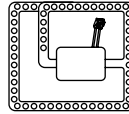
Ventilatorhuis  
(Motor)



Lampenpaneel



Trimmen



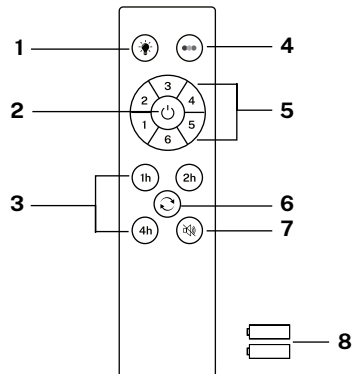
Lichtplaat



Tulp

## AFSTANDSBEDIENING

1. Licht
2. Aan / uit knop
3. Timer
4. Kleurtemperatuurregeling
5. Controle van de ventilatorintensiteit
6. omgekeerde functie
7. Knop voor geluid uit
8. Batterijen (2 x AAA)



### Controller-koppeling

1. Zet de hoofdschakelaar van het licht in de kamer waar je de ventilator hebt geïnstalleerd minstens 10 seconden uit.
2. Zet de schakelaar aan en je hoort een pieptoon, druk binnen 3 seconden op de aan/uit-knop en houd deze ingedrukt tot je een pieptoon hoort.
3. Als het koppelen niet lukt, herhaal je de bovenstaande stappen opnieuw nadat je de wand-schakelaar minstens 1 minuut hebt uitgeschakeld.

## LICHT

Schakelt het ventilatorlicht in en uit, ongeacht of de ventilator draait of niet.

## AAN UIT

Schakelt de ventilator volledig in of uit, ongeacht of het licht aan is of niet.

## 1h TIMER

Plan automatische uitschakeling door een keuze te maken uit de beschikbare opties.

## OMKEER FUNCTIE

Verander de draairichting van de ventilatorbladen. De winterfunctie (naar rechts draaien) duwt de warme lucht die zich in het plafond heeft opgehoopt naar beneden en de zomerfunctie (naar links draaien) genereert een briesje dat de kamer verkoelt.

## KLEURTEMPERATUUR

Schakelt tussen de drie beschikbare typen lichtkleurtemperatuur (warm, neutraal en koel).

## VENTILATORINTENSITEIT

Verhoogt of verlaagt de rotatiesnelheid van de ventilatorbladen.

## GELUID UITSCHAKELEN

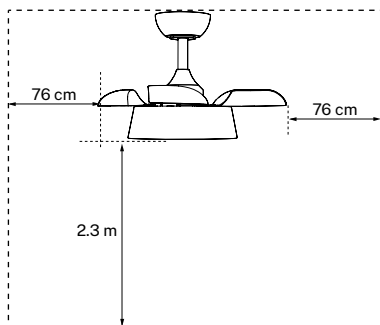
Door op de knop Geluid uit te drukken, kun je de geluiden dempen die de ventilator maakt als je op een willekeurige toets op de afstandsbediening drukt.

## INSTALLATIE INSTRUCTIES

- Markeer de juiste positie van de gaten en bevestig de plafondbeugel met behulp van schroeven met metalen pluggen of schroeven en ringen die geschikt zijn voor het gekozen type plafond.
- Controleer de juiste installatie van de beugel voordat u de ventilator ophangt. Deze plaat moet het volledige gewicht van de ventilator dragen.

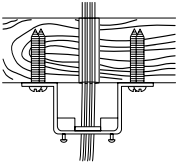
## INSTALLATIE VOORBEREIDING

- Om persoonlijk letsel en letsel te voorkomen, moet u ervoor zorgen dat de bladen op de plaats waar u de ventilator gaat ophangen zich op 2,3 m of meer van de grond bevinden en op 76 cm van de dichtstbijzijnde muur of obstakel.
- Zorg ervoor dat de aansluitdoos goed aan de bouwconstructie is bevestigd en het volledige gewicht van de ventilator kan dragen.



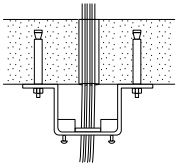
## HET INSTALLEREN VAN DE MONTAGEBEUGEL

- Controleer of het plafond waar u de ventilator wilt monteren stabiel is en het gewicht van de ventilator veilig kan dragen.
- Bevestig de montagebeugel niet rechtstreeks op plafonds van minder dan 10 mm om te voorkomen dat de schroef losraakt en eruit komt.
- Markeer de juiste positie van de gaten en bevestig de plafondbeugel met schroeven met metalen pluggen of schroeven en ringen die geschikt zijn voor het gekozen type plafond.



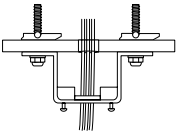
### Houten dak

Boor de benodigde gaten en bevestig vervolgens de montagebeugel met de houtschroeven en ringen aan de plafondverbindingen.



### Betonnen dak

Boor gaten met een boor van 8 mm, afhankelijk van de lengte van de expansieschroeven. Bevestig vervolgens de montagebeugel aan het plafond met de expansieschroeven.



### Vals plafond

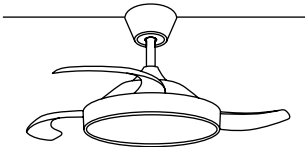
Boor de nodige gaten en bevestig vervolgens de montagebeugel met de speciale bevestigingsschroeven met veermechanisme voor gebruik in verlaagde plafonds.

- Controleer nadat de bevestigingsbeugel is geïnstalleerd of deze correct is geïnstalleerd voordat u de ventilator ophangt. De bevestigingsbeugel moet het totale gewicht van de ventilator kunnen dragen.

## DE LOCATIE VAN DE VENTILATOR VOORBEREIDEN

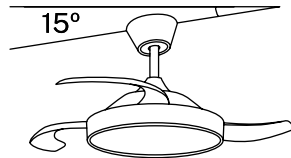
- Kies de ophangstang die het beste bij uw situatie past.
- Verwijder de bout van de stang door de pen te verwijderen en steek de vin (dakrand) en motorroos door de ophangstang. Leid vervolgens de draden van de ventilatormotor in de ophangbeugel. Monteer de draagstang op de motor en steek de bout en pen erin.

### Traditionele montage



De traditionele beugel hangt met een paal aan het plafond.

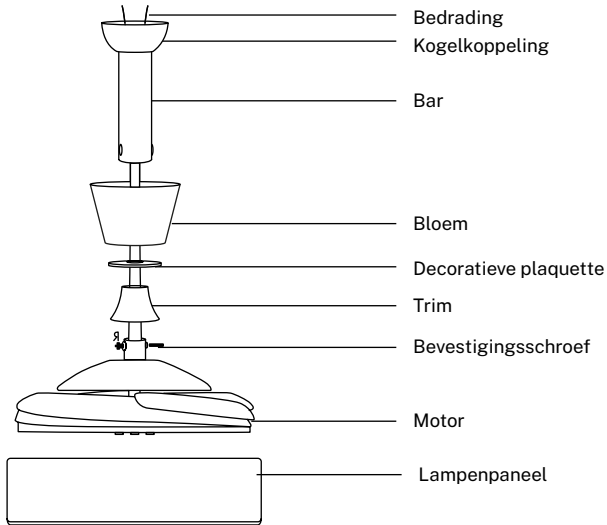
### Hoek montage



Hoekmontage wordt aanbevolen bij schuine of gewelfde plafonds.

Deze ventilator kan zowel op een normaal als op een gewelfd plafond worden geïnstalleerd en kan de ophanglengte verlengen met de langere ophangstang (meegeleverd). Om het hangertje te installeren heeft u het volgende gereedschap nodig: een schroevendraaier, platte schroevendraaier, verstelbare tang of moersleutel, laddertje, draadknipper en isolatietape.

## INSTALLATIE OPHANGSYSTEEM



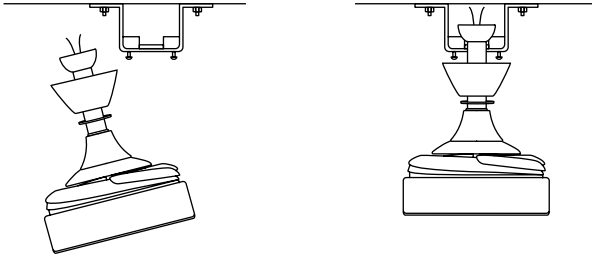
- Als je de ophanglengte van je ventilator wilt vergroten, verwijder dan de bal van de ophangstang en gebruik de extra verlengstang (meegeleverd).
- Als u het verlengstuk wilt gebruiken, volgt u de volgende instructies:

1. Om de kogel van de ophangstang te verwijderen, draait u de stelschroef los en verwijdert u de splitpennen.
2. Laat de kogel zakken en verwijder de borgpen.
3. Haal de bal uit het hangertje en plaats deze in het langere hangertje (de bovenkant van het staafje heeft een gat voor de stelschroef; gebruik deze om het staafje vast te zetten).
4. Steek de borgpen in het uiteinde van de ophangstang en breng de kogel omhoog. Zorg ervoor dat de borgpen op één lijn ligt met de groeven in de kogel en draai de stelschroef vast.

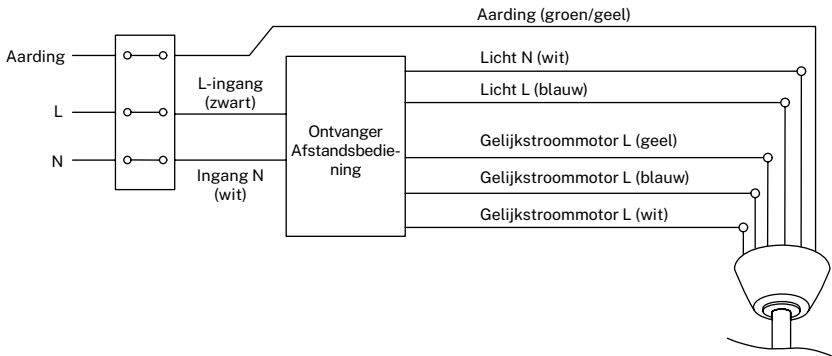
**Advies:** Om het gemakkelijker te maken de draden in de stang te steken, plaatst u wat isolatietape rond de draden. Dit zal je helpen ze bij elkaar te houden terwijl je ze in de stang steekt.

5. Maak de montageschroeven en sluitring los van de bovenkant van het motorhuis. Verwijder de stuurpennen (als u dat nog niet heeft gedaan). Steek de rozet door de stang.
6. Leid de kabels door de stang en trek de overtollige kabels vanaf de bovenkant van de stang om ze strak te trekken.
7. Plaats de stang in het motorhuis en steek de pinnen erin die u eerder hebt verwijderd. Draai de stelschroeven en ringen vast.
8. Draai de schroeven van de motor los en verwijder ze, plaats het lampenpaneel door de overeenkomstige gaten uit te lijnen en draai de schroeven weer vast om het paneel goed te bevestigen.
9. Laat de kap zakken in de richting van het motorhuis.

## DE VENTILATOR OPHANGEN

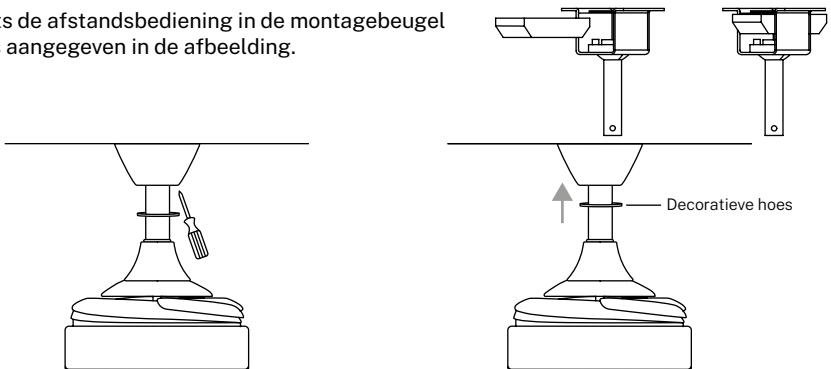


1. Plaats de downpipe met de ophangkogel in de montagebeugel, draai de motorassemblage tot het controlelipje op de montagebeugel in de registratiegroef van de ophangkogel is gevallen en stevig vastzit.



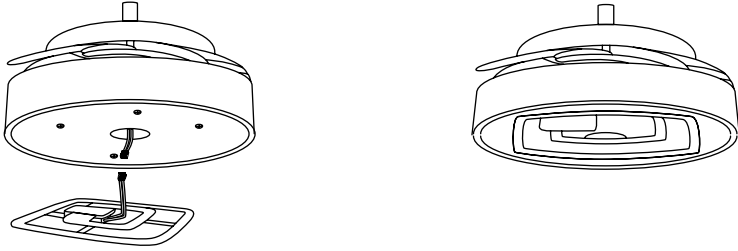
2. Maak de verbinding tussen de draden van de ontvanger en de draden van de ventilator-motor volgens de gekleurde aanduidingen. Zorg ervoor dat de verbinding stevig vastzit.

3. Plaats de afstandsbediening in de montagebeugel zoals aangegeven in de afbeelding.



4. Til de rozet op tot aan het plafond om de montagebeugel te bedekken (zorg ervoor dat de rozet op de twee schroeven van de beugel zit), draai de rozet om ervoor te zorgen dat de kop van de schroef aan het uiteinde van de gaten zit en draai ten slotte de schroeven vast tot hij goed vastzit. Til vervolgens het gemagnetiseerde sierdeksel op om de schroeven van het rozet af te dekken.

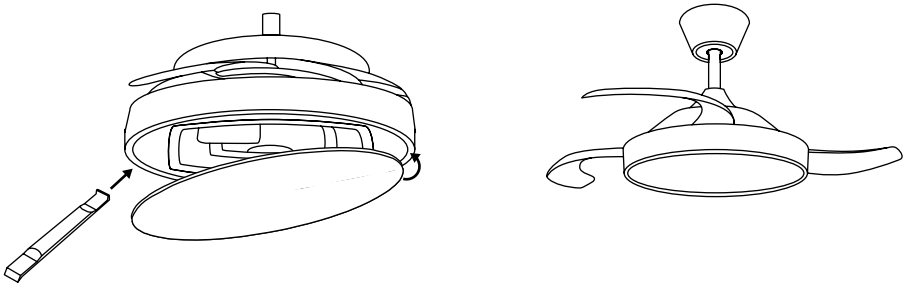
## PLAATSING VAN HET LICHTPANEEL



Verbind de draden van het aansluitbord met de draden van het LED-paneel. Het LED-paneel is gemagnetiseerd zodat het aan het aansluitbord kan worden vastgemaakt door de twee stukken eenvoudig in elkaar te klikken.

**Opmerking:** Zorg ervoor dat u de isolatielipjes niet aanraakt tijdens het installeren of verwijderen van de LED-kaart. Draai de schroeven niet te strak aan en schroef ze niet te snel vast, want dit kan de isolatielipjes beschadigen.

## HET DECORATIEVE SCHERM BEVESTIGEN



Plaats de lampenkap zo dat één uiteinde op de rand van de ventilatorbehuizing rust. Om de rest van het onderdeel te bevestigen, steekt u de punt van de hendel in de resterende opening en duwt u hiermee het bevestigingslipje voorzichtig naar achteren. Hierdoor kan de lampenkap in zijn definitieve positie schuiven. Zodra u een klik hoort en hebt gecontroleerd of het onderdeel goed vastzit, kunt u de stroom aansluiten en genieten van uw nieuwe ventilator met verlichting.

## CONTROLEER DE INSTALLATIE

- Controleer de correcte werking van de plafondventilator en controleer op vreemde bewegingen of een verkeerde uitlijning van een onderdeel van de ventilator.
- Als er brom/trilling waarneembaar is, kun je de bladen afstellen met de balanceerset.
- Zelfklevende contragewichten en u-vormige clips zijn beschikbaar in deze kit.

## VERBINDING MET DE APP

\*Alleen voor modellen met Wi-Fi



- De CREATE HOME app is beschikbaar voor zowel Android als iOS (zoek naar de app op Google Play of App Store of scan de QR-code). Afhankelijk van de provider kunnen er kosten verbonden zijn aan het downloaden van de app.
- Met de app kun je het apparaat bedienen via je thuisnetwerk. Als essentiële vereiste moet u altijd een Wi-Fi-netwerk hebben dat verbonden is met uw 2,4 Gh-router en de gratis CREATE-applicatie. (Internetproviders bieden momenteel zowel 5Gh als 2,4Gh tegelijkertijd aan).

- We raden aan het apparaat los te koppelen van de stroomvoorziening wanneer je niet thuis bent om onbedoelde inschakeling tijdens je afwezigheid te voorkomen.

### HOE U VERBINDING MAAKT MET DE APP

1. Installeer de CREATE-app en maak een gebruikersaccount aan.
2. Stel een inlogwachtwoord in en log in op de app.
3. Klik op "Apparaat toevoegen" (+) en klik vervolgens op de categorie voor de plafondventilator.



- Je kunt ook de optie "Scan QR" selecteren om het apparaat direct toe te voegen.

4. Houd op de afstandsbediening de knoppen 1H en 4H ongeveer 5 seconden ingedrukt totdat u een pieptoon hoort.
5. Klik vervolgens op "Bevestigen".
6. Voer uw Wi-Fi-netwerkwachtwoord in en bevestig.
7. Zorg ervoor dat uw router, mobiele telefoon en apparaat tijdens het verbinden zo dicht mogelijk bij elkaar zijn. Ten slotte wordt de plafondventilator succesvol toegevoegd aan uw CREATE-applicatie.



In overeenstemming met de richtlijnen: 2012/19 / EU en 2015/863 / EU betreffende de beperking van het gebruik van gevaarlijke stoffen in elektrische en elektronische apparatuur, evenals hun afvalverwerking. Het symbool met de gekruiste vuilnisbak op de verpakking geeft aan dat het product aan het einde van zijn levensduur als gescheiden afval wordt ingezameld. Daarom moet elk product dat het einde van zijn levensduur heeft bereikt, worden afgeleverd bij gespecialiseerde afvalverwijderingscentra voor de selectieve inzameling van afgedankte elektrische en elektronische apparatuur, of bij de aankoop van soortgelijke nieuwe apparatuur in één keer aan de detailhandelaar worden geretourneerd. voor één basis. Een juiste gescheiden inzameling voor latere inbedrijfstelling van apparatuur die wordt verzonden om te worden gerecycled, behandeld en op milieuvriendelijke wijze afgevoerd, helpt mogelijke negatieve effecten op het milieu en de gezondheid te voorkomen en optimaliseert recycling en hergebruik van de componenten waaruit het apparaat bestaat. De onrechtmatige eliminatie van het product door de gebruiker impliceert de toepassing van administratieve sancties in overeenstemming met de wetten.

Dziękujemy za wybranie naszego wentylatora sufitowego. Przed rozpoczęciem korzystania z tego urządzenia i aby zapewnić jego najlepsze wykorzystanie, należy uważnie przeczytać instrukcję.

Wymienione tutaj środki bezpieczeństwa zmniejszają ryzyko pożaru, porażenia prądem elektrycznym i obrażeń, jeśli są właściwie przestrzegane. Instrukcję należy przechowywać w bezpiecznym miejscu do wykorzystania w przyszłości, jak również gwarancję, dowód zakupu i opakowanie. Jeśli ma to zastosowanie, należy przekazać tę instrukcję przyszłemu właścicielowi urządzenia. Podczas korzystania z urządzenia elektrycznego należy zawsze przestrzegać podstawowych instrukcji bezpieczeństwa i środków zapobiegania ryzyku. Producent nie ponosi odpowiedzialności za szkody wynikające z nieprzestrzegania niniejszej instrukcji przez użytkownika.

## WYMAGANIA DOTYCZĄCE LOKALIZACJI I INSTALACJI

---

### WSKAZÓWKI MECHANIKA

- Zgodnie z przepisami bezpieczeństwa najniższy punkt łopatek wentylatora musi znajdować się na wysokości co najmniej 2,3 metra od podłoża.
- Upewnij się, że wybrane miejsce nie pozwala na kontakt obracających się ostrzy z żadnymi przedmiotami.
- Sprawdź, czy belki stropowe są solidne, duże i wystarczająco mocne, aby utrzymać ciężar wentylatora.
- Aby zmniejszyć ryzyko pożaru, porażenia prądem lub obrażeń ciała, należy upewnić się, że wspornik montażowy wentylatora jest przymocowany bezpośrednio do konstrukcji budynku. Nie montować w skrzynce rozdzielczej.
- Wspornik montażowy musi być bezpiecznie przykręcony do konstrukcji nośnej, takiej jak dach betonowy, konstrukcja stalowa lub rama drewniana. Jeżeli dodawana jest rama drewniana, należy ją mocno przybić lub przykręcić pomiędzy dwoma legarami.
- Aby zmniejszyć ryzyko obrażeń ciała i szkód materialnych, nie zginaj ani nie uszkadzaj pionowego pręta ani łopatek wentylatora podczas przenoszenia lub instalowania wentylatora. Jeżeli zauważysz jakiegokolwiek uszkodzenia produktu, przed przystąpieniem do montażu wentylatora skontaktuj się z naszym serwisem.
- Upewnij się, że wentylator jest bezpiecznie przymocowany do sufitu. Wszystkie śruby mocujące należy sprawdzić i w razie potrzeby dokręcić przed uruchomieniem wentylatora.

### WSKAZÓWKI ELEKTRYCZNE

- Przed przystąpieniem do jakichkolwiek prac przy wentylatorze sufitowym wyłącz zasilanie i wyłącz wyłącznik zasilania. Aby uniknąć możliwego porażenia prądem elektrycznym, przed wykonaniem okablowania należy sprawdzić, czy zasilanie w skrzynce bezpieczników lub panelu wyłączników jest wyłączone.
- Wentylator, wspornik montażowy i sprzęt oświetleniowy muszą być podłączone do uziemienia. Sprawdź, czy wszystkie złącza są dobrze izolowane.
- Sprawdź i potwierdź, że wszystkie połączenia są prawidłowe i bezpieczne. Po wykonaniu wszystkich połączeń elektrycznych należy bezpiecznie przechowywać wszystkie kable.
- Nie próbuj sterować tym wentylatorem za pomocą przełącznika ściennego lub pilota, który nie został zatwierdzony przez producenta do użytku z wentylatorem. Nie używaj kontrolera półprzewodnikowego. Użycie niezatwierdzonego przełącznika ściennego lub pilota zdalnego sterowania spowoduje utratę gwarancji.
- Nie podłączaj wentylatora sufitowego do ściemniacza.

## INSTRUKCJE BEZPIECZEŃSTWA

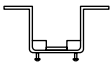
---

Przed użyciem jakiegokolwiek urządzenia elektrycznego należy dokładnie zapoznać się z podstawowymi środkami bezpieczeństwa:

- To urządzenie nie jest przeznaczone do użytku przez osoby z niepełno-sprawnością fizyczną, sensoryczną lub umysłową lub przez osoby bez doświadczenia i wiedzy, chyba że są one nadzorowane lub otrzymały instrukcje dotyczące bezpiecznego użytkowania i rozumieją potencjalne zagrożenia z nim związane.
- Dzieci nie zdają sobie sprawy z niebezpieczeństw związanych z obsługą wentylatora sufitowego. Trzymaj dzieci z dala od wentylatorów sufitowych.
- Nie wystawiaj wentylatora sufitowego na działanie deszczu lub wilgoci. Nie używaj wentylatora sufitowego na zewnątrz lub mokrymi rękami.
- Używaj tylko części zamiennych CREATE.
- Aby zmniejszyć ryzyko obrażeń ciała, przymocuj wentylator bezpośrednio do konstrukcji nośnej budynku zgodnie z niniejszą instrukcją i używaj tylko dostarczonego sprzętu.
- Aby uniknąć możliwego porażenia prądem, przed zainstalowaniem wentylatora należy odłączyć zasilanie, wyłączając wyłączniki obwodu w skrzynce wyjściowej i powiązanim miejscu przełącznika ściennego. Jeśli nie możesz zablokować wyłączników w pozycji wyłączonej, umieść wyraźną informację, taką jak etykieta, na panelu serwisowym.
- Aby zmniejszyć ryzyko obrażeń ciała, nie zginaj systemu mocowania łopatek podczas instalacji, wyważania lub czyszczenia wentylatora. Nigdy nie wkładaj ciała obcych między obracające się łopatki wentylatora.
- Aby zmniejszyć ryzyko pożaru lub uszkodzenia silnika, nie należy używać z tym wentylatorem półprzewodnikowego sterowania prędkością. Używaj tylko elementów sterujących prędkością CREATE.

**Notatka:** Ważne środki ostrożności i instrukcje zawarte w niniejszej instrukcji nie obejmują wszystkich warunków i sytuacji, które mogą wystąpić. Podczas instalacji i obsługi tego wentylatora należy zachować zdrowy rozsądek i ostrożność.

## LISTA CZĘŚCI



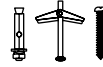
Wspierac się  
Montowanie



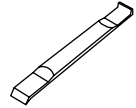
Florón



Ozdobna pokrywa  
magnetyczna



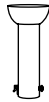
Śruby



Dźwignia



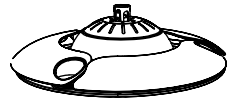
Pilot i kontroler



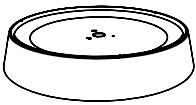
Bar



Bar z  
Rozbudowa



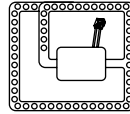
Korpus wentylatora  
(Silnik)



Panel lampy



Przycinać



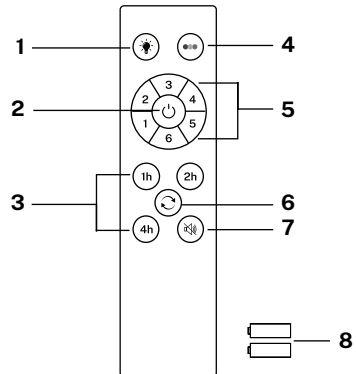
Lekka płyta



Pochodzi z

## PILOT

1. Światło
2. Włącznik / wyłącznik
3. Regulator czasowy
4. Kontrola temperatury barwowej
5. Sterowanie intensywnością wentylatora
6. Funkcja odwrótne
7. Przycisk wyłączenia dźwięku
8. Baterie (2 x AAA)



### Parowanie kontrolera

1. Wyłącz główny włącznik światła w pomieszczeniu, w którym zainstalowano wentylator, na co najmniej 10 sekund.
2. Włącz włącznik, a usłyszysz sygnał dźwiękowy, w ciągu 3 sekund naciśnij i przytrzymaj przycisk włączania/wyłączania, aż usłyszysz sygnał dźwiękowy.
3. Jeśli proces parowania nie powiedzie się, powtórz powyższe kroki ponownie po wyłączeniu przełącznika ściennego na co najmniej 1 minutę.

## ŚWIATŁO

Włącza i wyłącza światło wentylatora, niezależnie od tego, czy wentylator pracuje, czy nie.

## WŁ WYŁ

Całkowicie włącza lub wyłącza wentylator, niezależnie od tego, czy ma włączone światło, czy nie.

## 1h REGULATOR CZASOWY

Zaplanuj automatyczne wyłączenie, wybierając jedną z dostępnych opcji.

## FUNKCJA ODWRÓCENIA

Zmień kierunek obrotu łopatek wentylatora. Funkcja zimowa (obrót w prawo) spycha w dół gorące powietrze zgromadzone w suficie, a funkcja letnia (obrót w lewo) generuje powiew chłodzący pomieszczenie.

## TEMPERATURA KOLORU

Przełącza pomiędzy trzema dostępnymi typami temperatury barwowej światła (ciepłą, neutralną i chłodną).

## INTENSYWNOŚĆ WENTYLATORA

Zwiększa lub zmniejsza prędkość obrotową łopatek wentylatora.

## WYŁĄCZ DŹWIĘK

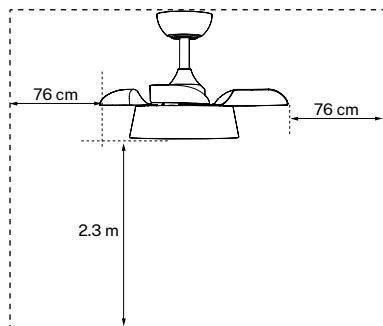
Naciskając przycisk wyłączenia dźwięku, można wyciszyć dźwięki wydawane przez wentylator po naciśnięciu dowolnego klawisza na pilocie.

## INSTRUKCJE INSTALACJI

- Zaznacz prawidłowe położenie otworów i zamocuj wspornik sufitowy za pomocą śrub z metalowymi kołkami lub śrub i podkładek odpowiednich do wybranego rodzaju sufitu.
- Przed zawieszeniem wentylatora sprawdź poprawność montażu wspornika. Ta płyta musi utrzymać cały ciężar wentylatora.

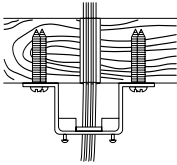
### PRZYGOTOWANIE DO INSTALACJI

- Aby uniknąć obrażeń ciała i obrażeń, upewnij się, że miejsce, w którym zamierzasz zawiesić wentylator, pozwala na umieszczenie łopatek w odległości 2,3 m lub więcej od ziemi i 76 cm od najbliższej ściany lub przeszkody.
- Upewnij się, że skrzynka przyłączeniowa jest odpowiednio przymocowana do konstrukcji budynku i może utrzymać cały ciężar wentylatora.



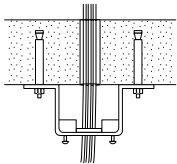
## MONTAŻ WSPORNIKA MONTAŻOWEGO

- Sprawdź, czy sufit, w którym zamierzasz zamontować wentylator, jest stabilny i jest w stanie bezpiecznie utrzymać ciężar wentylatora.
- Nie mocuj wspornika montażowego bezpośrednio do sufitów w odległości mniejszej niż 10 mm, aby uniknąć ryzyka poluzowania się i wysunięcia śruby.
- Zaznacz prawidłowe położenie otworów i przymocuj wspornik sufitowy za pomocą wkrętów z metalowymi kołkami lub wkrętów i podkładek odpowiednich do wybranego typu sufitu.



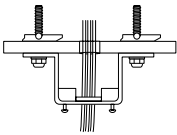
### Dach drewniany

Wywierć niezbędne otwory, a następnie przymocuj wspornik montażowy za pomocą wkrętów do drewna i podkładek do złączy sufitowych.



### Betonowy dach

Wywierć otwory wiertłem o średnicy 8 mm, w zależności od długości śrub rozporowych. Następnie przymocuj wspornik montażowy do sufitu za pomocą śrub rozporowych.



### Sufit podwieszany

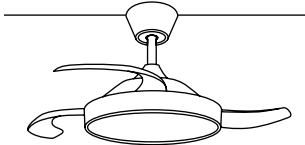
Wywierć niezbędne otwory, a następnie przymocuj wspornik montażowy za pomocą specjalnych sprężynowych śrub mocujących do stosowania w sufitach podwieszanych.

- Po zainstalowaniu wspornika mocującego należy sprawdzić, czy jest on prawidłowo zainstalowany przed zawieszeniem wentylatora. Uchwyt mocujący musi wytrzymać całkowity ciężar wentylatora.

## PRZYGOTOWANIE LOKALIZACJI WENTYLATORA

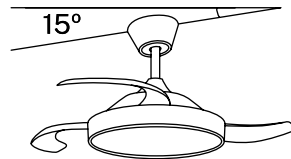
- Wybierz belkę do zawieszania, która najlepiej pasuje do Twojej sytuacji.
- Odkręć śrubę z pręta, wyjmując sworzeń i przeprowadź płetwę (wykończenie dachu) i silnik podniesiony przez pręt wieszaka. Następnie poprowadź przewody silnika wentylatora wewnątrz pręta wieszaka. Przymocuj wieszak do silnika i włóż śrubę i kołek.

### Tradycyjny montaż



Tradycyjny uchwyt zwisa z sufitu za pomocą słupa.

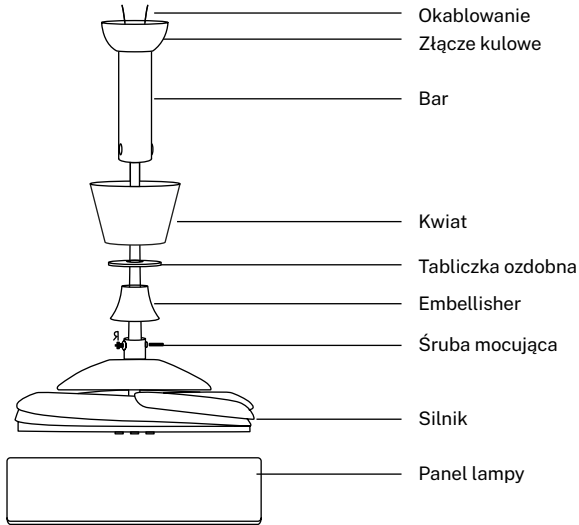
### Montaż kątowy



Montaż pod kątem jest zalecany na stropach skośnych lub sklepionych.

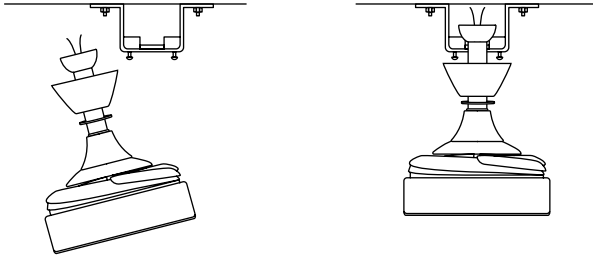
Wentylator ten można zainstalować zarówno na suficie zwykłym, jak i sklepionym, a długość zawieszania można wydłużyć za pomocą dłuższego drążka do zawieszania (w zestawie). Do montażu drążka wieszakowego potrzebne będą następujące narzędzia: śrubokręt, śrubokręt płaski, szczytce nastawne lub klucz, drabinka, przecinaki do drutu i taśma izolacyjna.

## INSTALACJA SYSTEMU ZAWIESZENIA

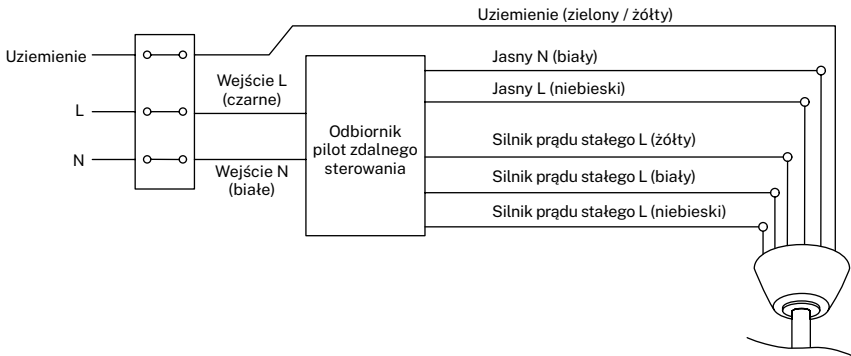


- Jeśli chcesz wydłużyć długość zawieszenia swojego wentylatora, wyjmij kulkę z drążka wieszaka i użyj dodatkowego przedłużacza (w zestawie).
  - Jeśli chcesz skorzystać z paska rozszerzenia postępuj zgodnie z poniższą instrukcją:
    1. Aby zdjąć kulkę z drążka zawieszenia, poluzuj śrubę ustalającą i wyjmij zawleczkę.
    2. Opuść kulę i wyjmij sworzeń blokujący.
    3. Wyjmij kulkę z drążka wieszaka i włóż ją do dłuższego drążka wieszaka (w górnej części drążka znajduje się otwór na śrubę ustalającą; użyj go do zabezpieczenia drążka).
    4. Włóż sworzeń blokujący w koniec drążka zawieszenia i podnieś kulę. Upewnij się, że sworzeń blokujący jest wyrównany z rowkami wewnątrz kuli i dokręć śrubę ustalającą.
- Rada:** Aby ułatwić wprowadzenie przewodów do listwy, owiń przewody taśmą izolacyjną. Pomoże to utrzymać je razem podczas wkładania do paska.
5. Poluzuj śruby mocujące i podkładkę z górnej części obudowy silnika. Usuń szpilki paska (jeśli jeszcze tego nie zrobiłeś). Włóż rozetę przez drążek.
  6. Przeciągnij kable przez drążek i wyciągnij nadmiar przewodów z górnej części drążka, aby je dokręcić.
  7. Umieść pręt w obudowie silnika i włóż wyjęte wcześniej kołki. Dokręć śruby ustalające i podkładki.
  8. Poluzuj i wykręć śruby silnika, umieść panel lampy, wyrównując odpowiednie otwory, a następnie ponownie wkręć i dokręć śruby, aby prawidłowo zamocować panel.
  9. Opuść osłonę w stronę obudowy silnika.

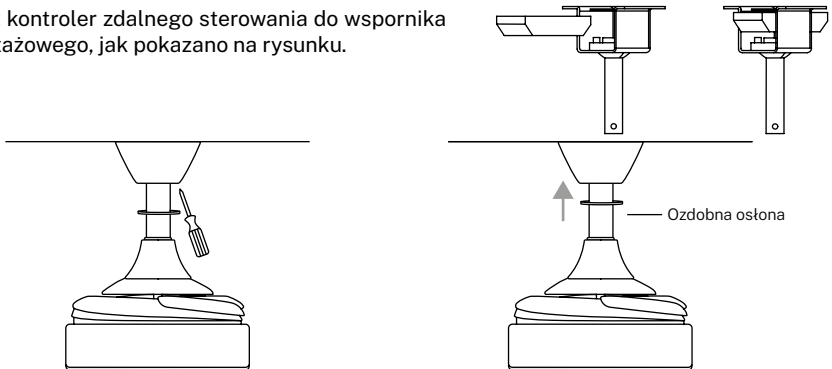
## WIESZANIE WENTYLATORA



1. Umieść rurę spustową z kulką zawieszenia we wsporniku montażowym, obróć zespół silnika, aż wypustka kontrolna na wsporniku montażowym wpadnie w rowek rejestracyjny kulki zawieszenia i zostanie mocno osadzona.

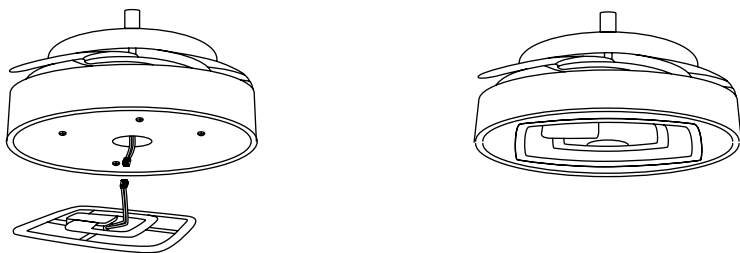


2. Wykonaj połączenie między przewodami odbiornika a przewodami silnika wentylatora zgodnie z kolorowymi oznaczeniami. Upewnij się, że połączenie jest szczelne.
3. Włóż kontroler zdalnego sterowania do wspornika montażowego, jak pokazano na rysunku.



4. Podnieś rozetę do sufitu, aby zakryć wspornik montażowy (upewnij się, że rozeta znajduje się na dwóch śrubach wspornika), obróć rozetę, aby upewnić się, że te śruby znajdują się na końcu otworów, a na koniec dokręć śruby, aż zostaną bezpiecznie zamocowane. Następnie podnieś namagnesowaną pokrywę dekoracyjną, aby zakryć śruby na rozecie.

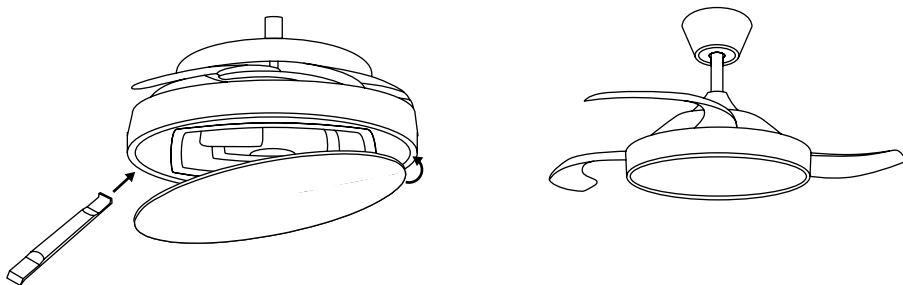
## UMIĘSZCZENIE PANELU ŚWIETLNEGO



Połącz przewody z płytki połączeniowej z przewodami z panelu LED. Panel LED jest namagnesowany, dzięki czemu można go przymocować do płytki połączeniowej, po prostu zatrzaszkując oba elementy razem.

**Notatka:** Podczas montażu lub demontażu płytki LED należy uważać, aby nie dotknąć wypustek izolacyjnych. Nie należy nadmiernie dokręcać śrub ani wkręcać ich szybko, ponieważ może to spowodować uszkodzenie wypustek izolacyjnych.

## MOCOWANIE EKRANU DEKORACYJNEGO



Umieść klosz tak, aby jeden jego koniec opierał się o krawędź korpusu wentylatora. Aby zamontować pozostałą część, wsuń końcówkę dźwigni w pozostałą szczelinę i delikatnie przesunij ją zaczep mocujący do tyłu. Dzięki temu klosz wsunie się na swoje miejsce. Gdy usłyszysz charakterystyczne „kliknięcie” i upewnisz się, że element jest dobrze zamocowany, możesz podłączyć zasilanie i cieszyć się nowym wentylatorem z oświetleniem.

## SPRAWDŹ INSTALACJĘ

- Sprawdź poprawność działania wentylatora sufitowego, sprawdzając, czy nie występują dziwne ruchy lub niewspółosiowość jakiegokolwiek części wentylatora.
- Jeśli zauważalne jest buczenie/wibracje, można przystąpić do regulacji łopatek za pomocą zestawu do wyważania.
- Samoprzylepne przeciwwagi i zaciski w kształcie litery U są dostępne w tym zestawie.

## POŁĄCZENIE Z APLIKACJĄ

\* Tylko dla modeli z Wi-Fi



- Aplikacja CREATE HOME jest dostępna zarówno dla systemu Android, jak i iOS (wyszukaj aplikację w Google Play lub App Store albo zeskanuj kod QR). W zależności od dostawcy, pobranie aplikacji może wiązać się z kosztami.
- Dzięki aplikacji można obsługiwać urządzenie za pośrednictwem sieci domowej. Podstawowym wymogiem jest zawsze połączenie sieci Wi-Fi z routerem 2,4 Gh i bezpłatną aplikacją CREATE. (Dostawcy Internetu oferują obecnie jednocześnie zarówno 5 Gh, jak i 2,4 Gh).

- Zalecamy odłączenie urządzenia od zasilania, gdy jesteś poza domem, aby uniknąć niezamierzonego włączenia podczas nieobecności.

### JAK POŁĄCZYĆ SIĘ Z APLIKACJĄ

1. Zainstaluj aplikację CREATE i utwórz konto użytkownika.
2. Ustaw hasło logowania i zaloguj się do aplikacji.
3. Kliknij „Dodaj urządzenie” (+), a następnie kliknij kategorię wentylatora sufitowego.



- Możesz także wybrać opcję “Skanuj QR”, aby dodać urządzenie bezpośrednio.

4. Na pilocie naciśnij i przytrzymaj przyciski 1H i 4H przez około 5 sekund, aż usłyszysz sygnał dźwiękowy.
5. Następnie kliknij „Potwierdź”.
6. Wprowadź hasło do sieci Wi-Fi i potwierdź.
7. Podczas łączenia upewnij się, że router, telefon komórkowy i urządzenie znajdują się jak najbliżej. Na koniec wentylator sufitowy zostanie pomyślnie dodany do aplikacji CREATE.



Zgodnie z dyrektywami: 2012/19 / UE i 2015/863 / UE w sprawie ograniczenia stosowania niebezpiecznych substancji w sprzęcie elektrycznym i elektronicznym, a także ich usuwania. Symbol z przekreślonym pojemnikiem na śmieci pokazany na opakowaniu oznacza, że produkt pod koniec okresu użytkowania będzie zbierany jako osobny odpad. Dlatego każdy produkt, który osiągnął koniec okresu użytkowania, musi zostać dostarczony do wyspecjalizowanych centrów usuwania odpadów w celu selektywnej zbiórki zużytego sprzętu elektrycznego i elektronicznego lub zwrócony do sprzedawcy przy zakupie podobnego nowego sprzętu, w jednym dla jednej bazy. Właściwa selektywna zbiórka w celu późniejszego uruchomienia sprzętu przeznaczonego do recyklingu, obróbki i utylizacji w sposób przyjazny dla środowiska pomaga zapobiegać potencjalnym negatywnym skutkom dla środowiska i zdrowia oraz optymalizuje recykling i ponowne użycie elementy składające się na urządzenie. Niewłaściwe usunięcie produktu przez użytkownika oznacza nałożenie sankcji administracyjnych zgodnie z prawem.





# CREATE



FR

Cet appareil  
se recycle

À DÉPOSER  
EN MAGASIN



À DÉPOSER  
EN DÉCHÈTERIE



OU

Points de collecte sur [www.quefairedemesdechets.fr](http://www.quefairedemesdechets.fr)  
Privilégiez la réparation ou le don de votre appareil !

RACCOLTA CARTA  
Verifica le disposizioni  
del tuo Comune.



RoHS



/ Made in China