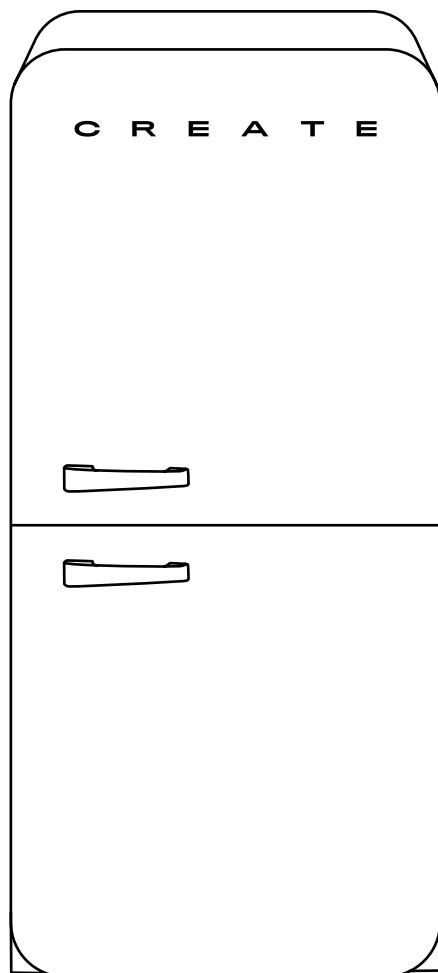


CREATE



Fridge Retro Combi

User manual | Manual de instrucciones

INDEX

ENGLISH

Security instructions	6
List of parts	9
Facility	9
Before first use	10
Control Panel	10
Care and advice	11
Energy saving	11
Move the refrigerator	12
Change of units	12
Cleaning	12
Food storage	13
Product Disposal	13
Problem resolution	14

PORTUGUÊS

Instruções de segurança	26
Lista de peças	29
Instalação	29
Antes da primeira utilização	30
Painel de controle	30
Cuidados e conselhos	31
Economia de energia	31
Mova a geladeira	32
Mudança de unidades	32
Limpeza	32
Armazenamento de alimentos	33
Descarte de Produto	33
Resolução de problemas	34

ESPAÑOL

Instrucciones de seguridad	16
Lista de partes	19
Instalación	19
Antes del primer uso	20
Panel de control	20
Cuidado y consejos	21
Ahorro de energía	21
Mover la nevera	22
Cambio de unidades	22
Limpieza	22
Almacenamiento de alimentos	23
Eliminación del producto	23
Resolución de problemas	24

FRANÇAIS

Consignes de sécurité	36
Liste des pièces	39
Facilité	39
Avant la première utilisation	40
Panneau de commande	40
Soins et conseils	41
Économie d'énergie	41
Déplacez le réfrigérateur	42
Changement d'unités	42
Nettoyage	42
Stockage alimentaire	43
Élimination du produit	43
Résolution des problèmes	44

INDEX

ITALIANO

Istruzioni di sicurezza	46
Elenco delle parti	49
Facilità	49
Prima del primo utilizzo	50
Pannello di controllo	50
Cura e consigli	51
Risparmio energetico	51
Spostare il frigorifero	52
Cambio di unità	52
Pulizia	52
Dispensa	53
Smaltimento del prodotto	53
Risoluzione del problema	54

NEDERLANDS

Beveiligingsinstructies	66
Lijst met onderdelen	69
Faciliteit	69
Vóór het eerste gebruik	70
Controlepaneel	70
Zorg en advies	71
Energiebesparend	71
Verplaats de koelkast	72
Verandering van eenheden	72
Schoonmaak	72
Voedselopslag	73
Productverwijdering	73
Probleem oplossing	74

DEUTSCH

Sicherheitshinweise	56
Teilaliste	59
Einrichtung	59
Vor dem ersten Gebrauch	60
Bedienfeld	60
Betreuung und Beratung	61
Energie sparen	61
Bewegen Sie den Kühlschrank	62
Änderung der Einheiten	62
Reinigung	62
Essenslager	63
Produktentsorgung	63
Problemlösung	64

POLSKI

Instrukcje bezpieczeństwa	76
Lista części	79
Obiekt	79
Przed pierwszym użyciem	80
Panel sterowania	80
Opieka i porady	81
Oszczędzanie energii	81
Przesuń lodówkę	82
Zmiana jednostek	82
Czyszczenie	82
Magazyn żywności	83
Utylizacja produktu	83
Rozwiązanie problemu	84

Thank you for choosing our refrigerator. Before using this appliance and to ensure its best use, please read the basic safety instructions carefully.

The safety measures listed here reduce the risk of fire, electric shock, and injury when followed correctly. Please keep the manual in a safe place for future reference, as well as the sales receipt and box. If applicable, give these instructions to the future owner of the appliance. Always follow basic safety instructions and hazard prevention measures when using an electrical appliance. The manufacturer will not be responsible for any damage resulting from the user's failure to follow these instructions.

SECURITY INSTRUCTIONS

Before using any electrical appliance, carefully read the following basic safety precautions.

- This appliance is intended for use in a home or similar setting, for example: staff kitchen areas in shops, offices and other work environments, cottages and by customers in hotels, motels and other residential type environments, bed and breakfast type, catering and similar non-retail applications.
- This appliance can be used by children aged 8 years and older and persons with reduced physical, sensory or mental capabilities or lack of experience and knowledge if they have been given supervision or instruction concerning use of the appliance in a safe way and understand the hazards involved.
- Children should not play with the device. Cleaning and maintenance of the appliance should not be carried out by children without supervision.
- If the power cord is damaged, it must be replaced by the manufacturer, its service agent or similarly qualified persons in order to avoid a hazard.
- Keep ventilation openings free of obstructions.
- Do not use mechanical devices or other means to accelerate the defrosting process other than those recommended by the manufacturer.
- Do not use electrical appliances inside the food storage compartments of the appliance unless they are of the type recommended by the manufacturer.
- For appliances that use flammable insulating gases, only the service agent or similarly qualified personnel can remove the flammable insulating gases contained in the appliance.
- Do not store explosive substances such as aerosol cans with a flammable propellant in this appliance.
- To avoid danger due to instability of the appliance, it must be fixed in accordance with the instructions shown in the instructions.
- This refrigeration appliance is not designed to be built-in.

- Make sure the power supply meets the requirements indicated on the product information label.
- Use a separate power outlet, at least 10 A and with a grounding device. Never use a transformer or extension socket for electrical power.
- In all cases, the outlet must be connected to a ground line. Never modify the power line and/or plug.
- The power line plug must be kept in solid contact with the socket, otherwise it may cause any fire.
- Once the refrigerator is installed in place, the plug must be easily accessible to facilitate its removal in the event of an accident.
- Never unplug the refrigerator by dragging the power cord. To remove the plug, hold it and pull it out of the socket.
- Avoid crushing the power cord with the body of the refrigerator or stepping on it.
- Be very careful when handling the refrigerator. Never coil the cord of the appliance.
- If the power line is damaged or the plug is worn, do not use the product. In such case, changing the power line or plug must be carried out at the repair shop designated by the manufacturer or by a competent professional.
- In case of gas leak, close the leaking valve and then open the doors and windows to ventilate. Never insert or remove the power outlet from the refrigerator.
- Never store or use gasoline or other flammable substances in the immediate area of the refrigerator to avoid fires.
- Never place flammable and explosive substances, highly corrosive acids or alkali, etc. in the refrigerator.
- Avoid damage to the refrigeration circuit.
- Prevent children from playing with the product, as they could become trapped inside.
- Prevent children from hanging on the door body to avoid injury due to the tilting of the door body or the turning of the refrigerator.
- Prevent children from putting their hands or feet into various types of perforated holes and side edges of the mechanical compartment, back plate or other metal protective parts of the refrigerator to avoid injury.
- Never spray or rinse the refrigerator with water, or place the refrigerator in an area exposed to moisture or splashing water, much less fill the refrigerator with water, to avoid affecting the electrical insulation of the refrigerator. In addition, failure to comply with these requirements may cause electric shock, fire or other accidents.
- After operating the refrigerator, never touch its interior surface, especially if your hands are wet, otherwise your skin may stick to the interior surface and cause injury.
- Never remove or modify the refrigerator without authorization, it could cause damage to the refrigerator circuit. Refrigerator repair should be carried out by a competent professional.

- Do not store bottled liquid foods in the freezer chamber.
- Do not put frozen products taken directly from the freezer (popsicles, ice cubes, etc.) into your mouth, as their low temperature can cause serious burns. Let them rest for a few minutes.
- Keep the refrigerator away from ignition sources to avoid accidents.
- Only technical service personnel can maintain the refrigerator and unprofessional participation can be dangerous for users.
- When placing the appliance, make sure that the power cord is not pinched or damaged.
- Do not locate multiple portable power outlets or portable power supplies on the back of the appliance.
- When disposing of the appliance, do so only at an authorized waste disposal centre. Deliver the refrigerator to the designated disposal location.
- Do not expose the refrigerator to flames.
- To avoid food contamination, follow the following instructions:
 - Opening the door for long periods can cause a significant increase in temperature in the appliance compartments.
 - Periodically clean surfaces that may come into contact with food and accessible drainage systems.
 - Store raw meat and fish in suitable containers in the refrigerator, so that they do not come into contact with or drip on other foods.
 - Two-star frozen food compartments are suitable for storing prefrozen foods and making ice cubes.
 - The one, two and three star compartments are not suitable for freezing fresh food.
- If the refrigeration appliance is left empty for long periods, turn off the refrigerator, defrost, clean, dry and leave the door open to prevent mold from forming inside the appliance.

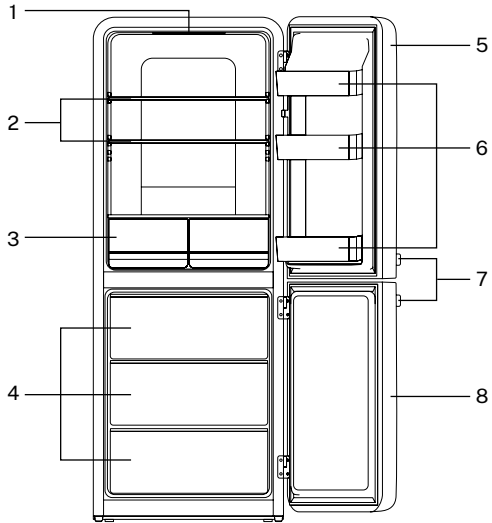


Refrigerant

- In the refrigeration circuit of the appliance there is the refrigerant isobutane (R600a), a natural gas with a high level of environmental compatibility, but which is, however, flammable. During transport and installation of the appliance, ensure that none of the components of the refrigeration circuit are damaged.
- The refrigerant (R600a) is flammable.
- If the refrigeration circuit is damaged:
 - Avoid open flames and ignition sources.
 - Ventilate the room in which the appliance is located well.

LIST OF PARTS

1. Led light
2. Glass shelves
3. Drawers
4. Freezer drawers
5. Refrigerator door
6. Door shelves
7. Handles
8. Freezer door



FACILITY

Before installing your new refrigerator, read the manual carefully and follow these instructions:

1. Place the refrigerator on a stable and level floor so that it makes less noise. Make sure the floor is sturdy enough to support its weight when completely filled.
2. If you were going to place the refrigerator on a carpet, place a wooden board between the carpet and the refrigerator. Please note that placing the refrigerator on a carpet may cause the heat emitted by the compressor to discolor the carpet.
3. This appliance is designed to stand on its own and not to be built-in or mounted on a stand.
4. Do not tilt the refrigerator more than 45° when moving it.
5. Avoid areas where the appliance would be exposed to sunlight, heat sources (stove, stove, radiator, etc.), extremely low ambient temperatures or high humidity. Installing it in the coolest area of the room will save energy.

Handle with care! Do not apply force to any parts such as the condenser or doors. The metal rails under the refrigerator may have sharp edges, so always unpack it carefully. Do not drag the refrigerator, put it carefully in its place so that it does not scratch the floor.

SPACE REQUIREMENTS

- Install the refrigerator so that you have enough space to open the door.
- Leave a minimum clearance of 100mm at the rear of the refrigerator to ensure air can circulate freely so the compressor and condenser can cool. Also leave at least 50mm of space at the top of the fridge and 50mm on each side.

LEVELING

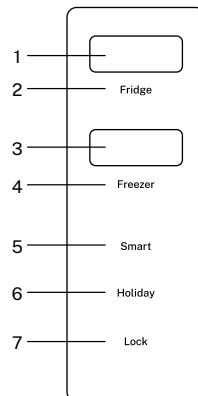
- The appliance must be level for it to function properly. If not properly leveled, the doors and magnetic seal alignment will not be covered properly.
- To level the refrigerator, adjust one or both of the leveling feet on its base.

BEFORE FIRST USE

1. Clean the refrigerator. Do not clean the body of the refrigerator with water directly, nor use gasoline or other solvent products for cleaning.
2. Make sure the refrigerator is leveled correctly.
3. After leveling and cleaning the refrigerator, do not turn it on immediately. Keep the refrigerator turned off for at least 24 hours to ensure normal operation.
4. Close the refrigerator doors and insert the power cord. Before connecting the refrigerator, check that your power outlet has a correct ground connection.
5. If the power cord is damaged, it should be replaced by the manufacturer's professional, its repair department or any similar department to avoid any danger.
6. Once the power supply is turned on, the refrigerator will start working. If the refrigerator does not work for a long period of time, check whether the power outlet and electrical circuit work normally. If a sudden drop in temperature is detected half an hour later after opening the refrigerator door, the refrigerator is operating normally.
7. After 3 or 4 hours, adjust the temperature and then fill the food according to the instructions. It is normal for the compressor to run longer during initial plugging and then run intermittently.
8. Generally, do not stop the refrigerator, so as not to influence its normal service life. After removing the plug from the power line, wait at least 5 minutes before plugging it in again, to ensure normal operation of the refrigerator.
9. Do not turn off the power supply of the refrigerator when not necessary, as the interruption of the power supply may cause an increase in temperature inside the refrigerator, thus shortening the storage period of food.
10. Maintain some space between food containers to facilitate the circulation of fresh air.

CONTROL PANEL

1. Refrigerator display
2. Refrigerator and quick cooling button
3. Freezer screen
4. Freezer button
5. Smart mode button
6. Vacation mode button
7. Lock button



Refrigerator Settings

- Press the refrigerator button to change the fridge temperature.
- The refrigerator compartment settings can be adjusted cyclically between 8°C and 2°C.
- The set temperature of the refrigerator compartment is displayed on the first screen of the control panel.

Freezer Settings

- Press the freezer button to change the freezer temperature.
- The freezer compartment settings can be adjusted cyclically between -14°C and -24°C.
- The set temperature of the freezer compartment is displayed on the second display of the control panel.

Smart mode

- Press the Smart button for three seconds to enter or exit smart mode.
- This mode automatically sets the temperatures of the freezer compartment to -18°C and the refrigerator compartment to 5°C.

Holiday mode

- Press the Holidays button for three seconds to enter holiday mode.
- Upon entering vacation mode, the vacation button icon will illuminate and the first control panel screen will display "----".
- You can set the vacation mode when you do not need to use the refrigerator for a long period of time, this way you can save electricity.
- When the refrigerator is in vacation mode, the refrigerator compartment is set to 15°C, when you set this option you must remove the food from the refrigerator, otherwise it may spoil.
- To exit holiday mode, change the temperature of the refrigerator compartment, in rapid cooling mode or press the Holidays button.
- When you exit vacation mode, the freezer compartment will operate normally according to the set freezer compartment temperature.

Fast cooling mode

- Press the freezer button or refrigerator button for 3 seconds to enter or exit rapid cooling mode.

Blocking

1. The control panel remains locked at all times to prevent unintended use.
2. To deactivate the lock function and enable the panel, press and hold the button for 3 seconds.
3. If the panel has been unlocked, it will automatically lock again 1 minute after closing the refrigerator compartment door.

CARE AND ADVICE

ENERGY SAVING

- Wait for hot food and drinks to cool before placing them in the refrigerator.
- Do not overload the refrigerator as this causes the compressor to have to run longer.
- Wrap the food well, clean and dry the containers before putting them in the refrigerator to avoid the formation of frost.
- Do not line any refrigerator compartment with aluminum foil, greaseproof paper, or paper napkins. Any lining interferes with circulation, reducing efficiency.
- Store food in such a way that air can flow around it.
- Do not leave the refrigerator door open for longer than necessary.
- Make sure food does not touch the back of the compartments.
- Do not set the thermostat to an extremely low temperature.

MOVE THE REFRIGERATOR

1. Unplug the refrigerator and remove all food from inside.
2. Close and tape the doors and power cord to the back of the refrigerator. Take out all the removable parts, wrap them well, and tape them down so they don't move during the move.
3. Depending on the model, raise the front of the refrigerator to make it roll easier or screw up the leveling feet so they don't scratch the floor.

CAREFUL! Never lift the refrigerator by the door.

4. Protect the exterior of the product with a blanket or soft, padded item and ensure that the refrigerator remains secure and upright while being transported.

CHANGE OF UNITS

To toggle between Celsius (°C) and Fahrenheit (°F), press and hold the Smart and Holiday keys simultaneously for 3 seconds.

CLEANING

Disconnect the appliance from the electrical outlet before cleaning it.

Internal cleaning.

- Do not pour water on the appliance.
- Clean the cavity regularly using a solution based on baking soda and warm water (5ml/0.5l water).
- Clean accessories separately with soap and water. Do not put them in the dishwasher.
- Do not use abrasive products, detergents or soaps.
- After cleaning the accessories, rinse them with clean water and dry them carefully.
- When you have finished cleaning the entire refrigerator, plug the plug back into the mains with dry hands.

External cleaning.

- Clean the outside with warm soapy water. Do not use abrasive products.
- There are sharp elements on the bottom parts of the product, please be careful when cleaning it.
- Once or twice a year, remove dust from the back of the refrigerator and the compressor at the back with a brush or vacuum cleaner. An accumulation of dust can negatively affect the performance of the appliance and cause an increase in energy consumption.

WARNING!

- Never clean the appliance with acidic, abrasive, oily, solvent-based cleaning products, abrasive sponges or scouring pads. Never use flammable fluids or sprays for cleaning as the gases emitted by these substances can cause the risk of fire or explosion.
- Never clean the appliance with a steam cleaner. Moisture could accumulate on electrical components and cause a risk of electric shock! Hot vapors can cause damage to plastic parts.
- The appliance must be completely dry before putting it into operation again.
- Essential oils and organic solvents can attack plastic parts (such as lemon juice or the juice from the peel of an orange) or cleaners containing acetic acid. Do not allow these substances to come into contact with any part of the appliance.

FOOD STORAGE

- Before storing food in your refrigerator, make sure your food, especially food containing water, is placed in properly wrapped plastic bags or containers with proper sealing to prevent unexpected odors or dryness.
- Hot or warm foods should be placed in the refrigerator after cooling to save energy.
- Leave adequate space between foods for better air ventilation in the refrigerator.
- It is better to store food in chunks than whole pieces.
- Put away fruits and vegetables and bottled drinks after cleaning.
- Store fruits and vegetables in the crisper drawer so they are fresh.
- Keep foods fresh and warm at room temperature, away from products that have already been frozen.
- To freeze products, use the space marked: ❄️ ***
- The storage time of frozen products depends on their quality before freezing when fresh and the storage temperature. The following storage periods are recommended when the temperature is maintained at -18°C or below:

Products	Months
Beef	6-8
Veal	3-6
Giblets	1-2

Products	Months
Pig	3-6
Poultry	6-8
Fish	3-6

PRODUCT DISPOSAL

Make sure all closures are unusable, remove the door(s) and dispose of them separately.

Chemical risk warning: Don't let children play with old appliances.

Contact your corresponding municipal authority to find out about the scrapping procedure.

- Before disposing of an old appliance, please make sure it is turned off and safe. Unplug the appliance and break any locks to prevent children from becoming trapped.
- Please note: The cooling system contains gas and refrigerants which require specialized waste management.
- You can contribute to environmental awareness by insisting on appropriate and non-polluting disposal methods.
- Do not allow pets and children to play with the packaging and dispose of plastic bags safely.
- You can tear up the cardboard or cut it into smaller pieces and recycle it. The wrappers are made of polyethylene. Polyethylene padding and filling do not contain fluorinated hydrocarbons and as such are suitable for recycling.

WARNING! To prevent children from being locked inside when playing, if this appliance is used to replace another one that has a lock:

- Break or remove the closure as a safety precaution before storing it.
- Remove the doors.
- Leave the shelves in place so children cannot climb them easily.
- Cut the connection cable as close to the appliance as possible.
- If this appliance, with a magnetic door seal, is to replace an old appliance that has a spring latch on the door or lid, please make the spring latch unusable before discarding the old appliance. This will reduce the risk of children or animals becoming trapped inside.

PROBLEM RESOLUTION

PROBLEM	CAUSE/SOLUTION
The refrigerator does not work	It's not on. Plug it into a grounded outlet.
	There is no current. Check that the plug is not defective.
	Fuse has blown/circuit breaker has tripped. Contact your service representative.
	Make sure the voltage is correct for this appliance.
The temperature inside the appliance is not cold enough.	There is a lot of hot food recently added inside. Allow several hours for it to return to normal temperature.
	The controls are not set correctly for the surrounding conditions.
	Check that the appliance is not exposed to direct sunlight or too close to a heat source.
	Check that the ambient temperature is within the operating limits of the appliance.
	The doors of the appliance are opened frequently. Once the door is opened, moisture found in the room air enters the appliance, especially if the humidity levels in the room are very high. The more the door is opened in wet conditions, the greater the chance of moisture buildup.
	The door is not closed.
	The rubber gasket is not sealed properly.
The temperature inside the refrigerator is too low.	The refrigerator does not have enough space to ventilate from the back and sides.
	Increase the temperature by adjusting the thermostat to a lower setting. The highest power should only be used as a rapid cooling mode and should only be set for two hours before a large amount of food is to be stored. If you do not do this, the temperature could fall below 0°C since the compressor would be in continuous operation.
Condensation on the inside/outside of the refrigerator walls.	Hot and humid climates increase the formation of frost indoors. It is normal.
Bad smell.	Check that the food and drinks you have in the refrigerator are not expired and are properly packaged. If it is not, throw it away or container it well.
	Make sure nothing has been spilled. Any spill that has been left unattended and not cleaned up can cause unwanted odors.
The doors don't close properly.	Make sure there are no objects obstructing the door from closing.
	Check that both shelves and compartments are securely in place.
	Check that the door gasket is not deformed or torn.
	Make sure the appliance is level.
The door will not open.	If you have just opened the door, allow it a few minutes for the air pressure to equalize before trying again.

PROBLEM	CAUSE/SOLUTION
Strange noises.	Check that the appliance is on a flat, level and stable surface.
	Look around the refrigerator and make sure you are not touching other objects.
	Gurgling and bubbling noise: produced by the passage of coolant through the system pipes. This noise is normal.
	Sound of flowing water: This is normal, this is water flowing down the drain during the defrosting process.
	If the appliance is running loudly (compressor noise): It is normal. Indicates that the compressor is operating normally. As the compressor is being energized, it may make noise for a short period of time.
	The contraction and expansion of the interior of the walls can cause popping and clicking sounds.
The compressor runs all the time.	The temperature is set too low, select a higher temperature.
	The door is open or something is blocking the closure.
	The rubber seals are worn, dirty or damaged.
	A large amount of food has been added to the refrigerator.
	The room temperature is higher than normal.
The surface outside of the refrigerator is hot.	Exterior walls may be warmer than room temperature. It is normal while the compressor works to extract heat from the inside of the refrigerator.



In compliance with Directives: 2012/19/EU and 2015/863/EU on the restriction of the use of dangerous substances in electric and electronic equipment as well as their waste disposal. The symbol with the crossed dustbin shown on the package indicates that the product at the end of its service life shall be collected as separate waste. Therefore, any products that have reached the end of their useful life must be given to waste disposal centres specialising in separate collection of waste electrical and electronic equipment, or given back to the retailer at the time of purchasing new similar equipment, on a one for one basis. The adequate separate collection for the subsequent start-up of the equipment sent to be recycled, treated and disposed of in an environmentally compatible way contributes to preventing possible negative effects on the environment and health and optimises the recycling and reuse of components making up the apparatus. Abusive disposal of the product by the user involves application of the administrative sanctions according to the laws.

Gracias por elegir nuestro frigorífico. Antes de utilizar este electrodoméstico y para asegurar su mejor uso, por favor, lea detenidamente las instrucciones básicas de seguridad.

Las medidas de seguridad aquí indicadas reducen el riesgo de incendio, descarga eléctrica y lesiones cuando se siguen correctamente. Guarde el manual en un lugar seguro para futuras referencias, así como el recibo de compra y la caja. Si procede, entregue estas instrucciones al futuro propietario del electrodoméstico. Siempre siga las instrucciones básicas de seguridad y las medidas de prevención de riesgos cuando utilice un electrodoméstico eléctrico. El fabricante no se responsabilizará de ningún daño derivado del incumplimiento de estas instrucciones por parte del usuario.

INSTRUCCIONES DE SEGURIDAD

Antes de utilizar cualquier aparato eléctrico, lea detenidamente las siguientes precauciones básicas de seguridad.

- Este aparato está diseñado para su uso en un hogar o similar, por ejemplo: áreas de cocina para el personal en tiendas, oficinas y otros entornos de trabajo, casas de campo y por clientes en hoteles, moteles y otros ambientes de tipo residencial, ambientes tipo alojamiento y desayuno, catering y aplicaciones similares no minoristas.
- Este aparato puede ser utilizado por niños a partir de 8 años y personas con capacidades físicas, sensoriales o mentales reducidas o con falta de experiencia y conocimiento si han recibido supervisión o instrucciones sobre el uso del aparato de forma segura y comprenden los peligros involucrados.
- Los niños no deben jugar con el aparato. La limpieza y el mantenimiento del aparato no debe ser realizada por niños sin supervisión.
- Si el cable de alimentación está dañado, debe ser reemplazado por el fabricante, su agente de servicio o personas igualmente calificadas para evitar riesgos.
- Mantenga las aberturas de ventilación libres de obstrucciones.
- No utilice dispositivos mecánicos u otros medios para acelerar el proceso de descongelación, distintos a los recomendados por el fabricante.
- No utilice aparatos eléctricos dentro de los compartimentos de almacenamiento de alimentos del aparato, a menos que sean del tipo recomendado por el fabricante.
- Para aparatos que utilizan gases aislantes inflamables, sólo el agente de servicio o personal igualmente calificado puede eliminar los gases aislantes inflamables que contiene del aparato.
- No almacene sustancias que pueda explotar como latas de aerosol con un propulsor inflamable en este aparato.
- Para evitar un peligro debido a la inestabilidad del aparato, debe fijarse de acuerdo con las indicaciones que se muestran en las instrucciones.
- Este aparato de refrigeración no está diseñado para ser empotrado.

- Asegúrese de que la fuente de alimentación cumple con los requisitos indicados en la etiqueta de información del producto.
- Utilice una toma de corriente independiente, de al menos 10 A y con dispositivo de toma de tierra. Nunca utilice un transformador o una toma de extensión para la alimentación eléctrica.
- En todos los casos, la toma de corriente debe estar conectada a una línea de tierra. Nunca modifique la línea eléctrica y/o el enchufe.
- El enchufe de la línea eléctrica debe mantenerse en contacto sólido con el enchufe, de lo contrario podría provocar cualquier incendio.
- Una vez instalado el frigorífico en su lugar, el enchufe debe ser fácilmente accesible para facilitar su extracción en caso de accidente.
- Nunca desconecte el enchufe del frigorífico arrastrando el cable eléctrico. Para quitar el enchufe, sosténgalo y sáquelo del enchufe.
- Evite aplastar el cable eléctrico con el cuerpo del frigorífico o pisotearlo.
- Tenga mucho cuidado al manipular el frigorífico. Nunca enrolle el cable del aparato.
- Si la línea eléctrica esté dañada o el enchufe desgastado, no utilice el producto. En tal caso, el cambio de la línea eléctrica o del enchufe debe ser realizada en el taller de reparación designado por el fabricante o por un profesional competente.
- En caso de fuga de gas, cierre la válvula con fuga y luego abra las puertas y ventanas para ventilar. Nunca inserte ni retire la toma de corriente del frigorífico.
- Nunca almacene ni use gasolina u otras sustancias inflamables en el área inmediata al frigorífico para evitar incendios.
- Nunca coloque sustancias inflamables y explosivas, ácidos o alcalinos altamente corrosivos, etc. en el frigorífico.
- Evite daños al circuito frigorífico.
- Evite que los niños jueguen con el producto, podrían quedar atrapados en su interior.
- Evite que los niños se cuelguen del cuerpo de la puerta para evitar lesiones debido a la inclinación del cuerpo de la puerta o al giro del frigorífico.
- Evite que los niños metan las manos o los pies en varios tipos de orificios perforados y bordes laterales del compartimiento mecánico, la placa posterior u otras partes protectoras metálicas del frigorífico, para evitar lesiones.
- Nunca rocíe ni enjuague el frigorífico con agua, ni coloque el frigorífico en un área expuesta a la humedad o a salpicaduras de agua, y mucho menos llene el frigorífico con agua, para evitar afectar el aislamiento eléctrico del frigorífico. Además, el incumplimiento de dichos requisitos puede provocar descargas eléctricas, incendios u otros accidentes.
- Después de poner el frigorífico en funcionamiento, nunca toque su superficie interior, especialmente si tiene las manos mojadas, de lo contrario, la piel podría adherirse a la superficie interior y lesionarse.
- Nunca retire ni modifique el frigorífico sin autorización, podría provocar daños en el circuito del frigorífico. La reparación del frigorífico debe ser realizada por un profesional competente.

- No almacene alimentos líquidos embotellados en la cámara del congelador.
- No introduzca en la boca productos congelados, sacados directamente del congelador (polos, cubitos de hielo, etc.), ya que su baja temperatura puede provocar graves quemaduras. Déjelos reposar unos minutos.
- Mantenga el frigorífico alejado de fuentes de ignición para evitar accidentes.
- Sólo el personal de servicio técnico puede realizar el mantenimiento del frigorífico y la participación no profesional puede ser peligrosa para los usuarios.
- Al colocar el aparato, asegúrese de que el cable de alimentación no quede atrapado ni dañado.
- No ubique múltiples tomas de corriente portátiles o fuentes de alimentación portátiles en la parte posterior del aparato.
- Cuando deseche el aparato, hágalo únicamente en un centro de eliminación de residuos autorizado. Entregue el frigorífico al lugar designado para su eliminación.
- No exponga el frigorífico a las llamas.
- Para evitar la contaminación de los alimentos, respete las siguientes instrucciones:
 - Abrir la puerta durante períodos prolongados puede provocar un aumento significativo de la temperatura en los compartimentos del aparato.
 - Limpie periódicamente las superficies que puedan entrar en contacto con los alimentos y los sistemas de drenaje accesibles.
 - Guarde la carne y el pescado crudos en recipientes adecuados en el frigorífico, para que no entren en contacto con otros alimentos ni gotee sobre ellos.
 - Los compartimentos para alimentos congelados de dos estrellas son adecuados para guardar alimentos precongelados y hacer cubitos de hielo.
 - Los compartimentos de una, dos y tres estrellas no son adecuados para congelar alimentos frescos.
- Si el aparato de refrigeración se deja vacío durante períodos prolongados, apague el frigorífico, descongele, limpie, seque y deje la puerta abierta para evitar que se forme moho dentro del aparato.

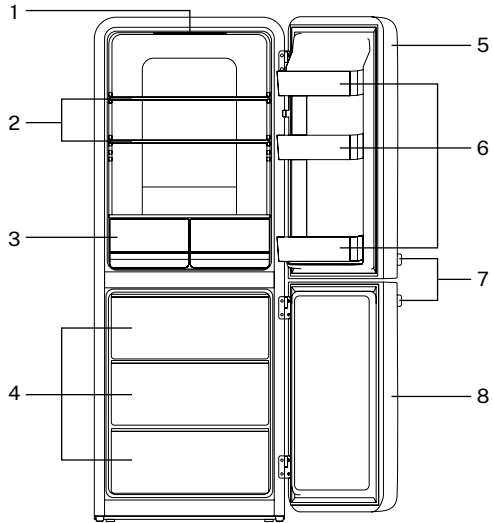


Refrigerante

- En el circuito frigorífico del aparato se encuentra el refrigerante isobutano (R600a), un gas natural con un alto nivel de compatibilidad medioambiental, pero que, sin embargo, es inflamable. Durante el transporte e instalación del aparato, asegúrese de que ninguno de los componentes del circuito frigorífico resulte dañado.
- El refrigerante (R600a) es inflamable.
- Si el circuito frigorífico se daña:
 - Evite la apertura de llamas y fuentes de ignición.
 - Ventile bien la habitación en la que se encuentra el aparato.

LISTA DE PARTES

1. Luz led
2. Estantes de vidrio
3. Cajones
4. Cajones del congelador
5. Puerta de la nevera
6. Estantes de la puerta
7. Asas
8. Puerta del congelador



INSTALACIÓN

Antes de instalar su nevera nueva, lea detenidamente el manual y siga estas instrucciones:

1. Ponga el frigorífico en un suelo estable y nivelado para que haga menos ruido. Asegúrese de que el suelo es lo suficientemente resistente para soportar su peso cuando esté completamente llena.
2. Si fuese a poner la nevera sobre una alfombra, coloque un tablero de madera entre la alfombra y la nevera. Tenga en cuenta que poner la nevera sobre una alfombra puede causar que el calor que emite el compresor descolore la alfombra.
3. Este electrodoméstico está diseñado para sujetarse por sí mismo y no para ir empotrado o sobre un soporte.
4. No incline la nevera más de 45° cuando vaya a moverla.
5. Evite las zonas donde el electrodoméstico estaría expuesto a la luz solar, a fuentes de calor (fogones, estufa, radiador, etc.) temperaturas ambientes extremadamente bajas o con mucha humedad. Instalarlo en la zona más fresca de la habitación ahorrará energía.

¡Manéjelo con cuidado! No aplique fuerza sobre ninguna parte como el condensador o las puertas. Los rieles metálicos debajo del frigorífico pueden tener bordes afilados, así que siempre desempaquétele con cuidado. No arrastre la nevera, póngalo cuidadosamente en su sitio para que no le raye el suelo.

REQUISITOS DE ESPACIO

- Instale la nevera de tal modo que cuente con suficiente espacio para abrir la puerta.
- Deje una separación mínima de 100 mm en la parte trasera de la nevera para asegurar que el aire pueda circular libremente y así el compresor y el condensador se puedan enfriar. También deje por lo menos 50 mm de espacio en la parte superior de la nevera y 50 mm a cada lado.

NIVELACIÓN

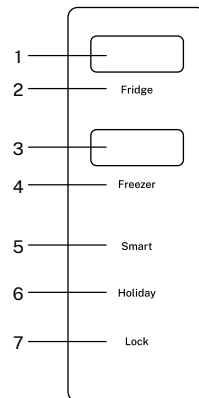
- El electrodoméstico debe estar nivelado para que funcione correctamente. Si no está bien nivelado, las puertas y la alineación de sellado magnético no estarán cubiertos correctamente.
- Para nivelar la nevera, ajuste uno o los dos pies niveladores de su base.

ANTES DEL PRIMER USO

1. Limpie el frigorífico. No limpie el cuerpo del frigorífico con agua directamente, ni use para su limpieza gasolina u otros productos disolventes.
2. Asegúrese de que el frigorífico esté nivelado correctamente.
3. Después de nivelar y limpiar el frigorífico, no lo encienda inmediatamente. Mantenga el frigorífico apagado durante al menos 24 horas para garantizar el funcionamiento normal.
4. Cierre las puertas del frigorífico e inserte el cable a la corriente eléctrica. Antes de conectar el frigorífico, compruebe que su toma de corriente tiene una conexión de tierra correcta.
5. Si el cable de alimentación está dañado, debe ser reemplazado por el profesional del fabricante, su departamento de reparación o cualquier departamento similar para evitar cualquier peligro.
6. Una vez se encienda la fuente de alimentación, el frigorífico comenzará a funcionar. Si el frigorífico no funciona durante un largo período de tiempo, compruebe si la toma de corriente y el circuito eléctrico funcionan normalmente. Si media hora más tarde se detecta una reducción brusca de la temperatura tras abrir la puerta del frigorífico, el frigorífico funciona con normalidad.
7. Después de 3 o 4 horas, ajuste la temperatura y luego llene la comida según las instrucciones. Es normal que el compresor funcione durante más tiempo durante el taponamiento inicial y luego funcione de forma intermitente.
8. Generalmente, no detenga el frigorífico, para no influir en su vida útil normal. Después de retirar el enchufe de la línea eléctrica, espere al menos 5 minutos antes de volver a enchufarlo, para garantizar el funcionamiento normal del frigorífico.
9. No apague la fuente de alimentación del frigorífico cuando no sea necesario, ya que la interrupción del suministro eléctrico puede provocar un aumento de temperatura dentro del frigorífico, acortando así el plazo de almacenamiento de los alimentos.
10. Mantenga un cierto espacio entre recipientes para alimentos, que faciliten la circulación del aire fresco.

PANEL DE CONTROL

1. Pantalla de la nevera
2. Botón nevera y enfriamiento rápido
3. Pantalla del congelador
4. Botón congelador
5. Botón modo inteligente
6. Botón modo vacaciones
7. Botón de bloqueo



Configuración del frigorífico

- Presione el botón del frigorífico para cambiar la temperatura de la nevera.
- La configuración del compartimento del frigorífico se puede ajustar cíclicamente entre 8°C y 2°C.
- La temperatura establecida del compartimento frigorífico se muestra en la primera pantalla del panel de control.

Configuración del congelador

- Presione el botón del congelador para cambiar la temperatura del congelador.
- La configuración del compartimento congelador se puede ajustar cíclicamente entre -14°C y -24°C.
- La temperatura establecida del compartimiento de congelación se mostrará en la segunda pantalla del panel de control.

Modo inteligente

- Presione el botón Smart durante tres segundos para ingresar o salir del modo inteligente.
- Este modo ajusta automáticamente las temperaturas del compartimento congelador a -18 °C y del frigorífico a 5 °C.

Modo vacaciones

- Presione el botón Holidays durante tres segundos para ingresar al modo vacaciones.
- Al ingresar al modo de vacaciones, el ícono del botón de vacaciones se iluminará y en la primera pantalla del panel de control se mostrará “----”.
- Puede configurar el modo vacaciones cuando no necesite utilizar el frigorífico durante un periodo prolongado de tiempo, de esta manera podrá ahorrar electricidad.
- Cuando el frigorífico está en modo vacaciones, el compartimento del frigorífico se configura a 15°C, cuando configura esta opción debe sacar los alimentos del frigorífico, de lo contrario podrían estropearse.
- Para salir del modo vacaciones, modifique la temperatura del compartimento del frigorífico, en el modo de enfriamiento rápido o presione el botón Holidays.
- Al salir del modo de vacaciones, el compartimento del congelador funcionará con normalidad de acuerdo con la temperatura configurada del compartimento del congelador.

Modo enfriamiento rápido

- Presione el botón del congelador o el botón del frigorífico durante 3 segundos para entrar o salir del modo de enfriamiento rápido.

Bloqueo

1. El panel de control permanece bloqueado en todo momento para evitar que se use de manera no intencionada.
2. Para desactivar la función de bloqueo y habilitar el panel, mantenga presionado el botón durante 3 segundos.
3. Si el panel ha sido desbloqueado, se bloqueará nuevamente automáticamente 1 minuto después de cerrar la puerta del compartimento del frigorífico.

CUIDADO Y CONSEJOS

AHORRO DE ENERGÍA

- Espere a que la comida y las bebidas calientes se enfríen antes de introducirlas en la nevera.
- No sobrecargue la nevera ya que esto provoca que el compresor tenga que funcionar más tiempo.
- Envuelva bien la comida, limpie y seque los envases antes de meterlos en la nevera para evitar la formación de escarcha.
- No forre ningún compartimento de la nevera con papel de aluminio, papel vegetal, o servilletas de papel. Cualquier forro interfiere con la circulación, lo que reduce la eficiencia.
- Guarde la comida de tal manera que el aire pueda fluir a su alrededor.
- No deje la puerta de la nevera abierta durante más tiempo del necesario.
- Asegúrese de que la comida no toca la parte trasera de los compartimentos.
- No configure el termostato a una temperatura extremadamente baja.

MOVER LA NEVERA

1. Desconecte la nevera y retire toda la comida de su interior.
 2. Cierre y pegue las puertas y el cable de alimentación con cinta adhesiva a la parte posterior de la nevera. Saque todas las partes desmontables, envuélvalas bien y péguelas con cinta adhesiva para que no se muevan durante la mudanza.
 3. Según el modelo, levante la parte delantera de la nevera para que ruede más fácilmente o atornille hacia arriba las patas niveladoras para que no rayen el suelo.
- ¡CUIDADO!** Nunca levante la nevera por la puerta.
4. Proteja el exterior del producto con una manta o un elemento suave y acolchado y asegúrese de que la nevera permanece segura y en posición vertical mientras se transporta.

CAMBIO DE UNIDADES

Para alternar entre grados Celsius (°C) y Fahrenheit (°F), mantenga pulsadas simultáneamente las teclas Smart y Holiday durante 3 segundos.

LIMPIEZA

Desconecte el electrodoméstico de la corriente eléctrica antes de limpiarlo.

Limpeza interna.

- No vierta agua sobre el electrodoméstico.
- Limpie la cavidad regularmente utilizando una solución a base de bicarbonato y agua tibia (5ml/0.5l de agua).
- Limpie los accesorios por separado con agua y jabón. No los ponga en el lavavajillas.
- No utilice productos, detergentes o jabones abrasivos.
- Después de limpiar los accesorios, aclárelos con agua limpia y séquelos con cuidado.
- Cuando haya acabado de limpiar toda la nevera, vuelva a conectar el enchufe a la red eléctrica con las manos secas.

Limpeza externa.

- Limpie la parte exterior con agua templada y jabón. No utilice productos abrasivos.
- Hay elementos punzantes en las partes inferior del producto, por favor vaya con cuidado al limpiarlo.
- Una o dos veces al año, quite el polvo de la parte trasera del frigorífico y del compresor en la parte trasera con un cepillo o un aspirador. Una acumulación de polvo puede afectar negativamente el rendimiento del electrodoméstico y causar un aumento en el consumo de energía.

¡ADVERTENCIA!

- Nunca limpie el aparato con productos de limpieza ácidos, abrasivos, aceitosos, con bases disolventes, esponjas abrasivas o estropajos. Nunca utilice fluidos inflamables o sprays para limpiar ya que los gases que emiten estas sustancias pueden causar riesgo de incendio o explosión.
- Nunca limpie el electrodoméstico con un limpiador a vapor. ¡La humedad se podría acumular en los componentes eléctricos y ocasionar peligro de descarga eléctrica! Vapores calientes pueden derivar en el daño de las partes de plástico.
- El electrodoméstico debe estar completamente seco antes de volverlo a poner en funcionamiento.
- Aceites esenciales y disolventes orgánicos pueden atacar las partes de plástico (como, por ejemplo, zumo de limón o el zumo de la peladura de una naranja) o limpiadores que contengan ácido acético. No permita que estas sustancias entren en contacto con ninguna parte del electrodoméstico.

ALMACENAMIENTO DE ALIMENTOS

- Antes de guardar alimentos en su frigorífico, asegúrese de que sus alimentos, especialmente los que contienen agua, se coloquen en bolsas de plástico envueltas adecuadamente o en recipientes con un sellado adecuado para evitar olores inesperados o sequedad.
- Los alimentos calientes o tibios se deben colocar en el frigorífico después de enfriarlos para ahorrar energía.
- Deje un espacio adecuado entre los alimentos para una mejor ventilación del aire en el frigorífico.
- Es mejor almacenar la comida en trozos que piezas enteras.
- Guarde las frutas y verduras y las bebidas embotelladas después de la limpieza.
- Guarde las frutas y verduras en el cajón para verduras para que estén frescas.
- Mantenga los alimentos frescos y calientes a temperatura ambiente, lejos de los productos que ya han sido congelados.
- Para congelar productos, utilice el espacio marcado: ❄️ ❄️ ❄️
- El tiempo de almacenamiento de los productos congelados depende de su calidad antes de congelarlos cuando están frescos y de la temperatura de almacenamiento. Se recomiendan los siguientes períodos de almacenamiento cuando la temperatura es de -18°C o inferior se mantiene:

Productos	Meses
Carne de res	6-8
Ternera	3-6
Menudillos	1-2

Productos	Meses
Cerdo	3-6
Aves de corral	6-8
Pescado	3-6

ELIMINACIÓN DEL PRODUCTO

Asegúrese de que todos los cierres quedan inutilizables, retire la(s) puerta(s) y deséchelos por separado.

Advertencia riesgos químicos: No permita que los niños jueguen con electrodomésticos viejos. Contacte con su autoridad municipal correspondiente para informarse sobre el procedimiento de desguace.

- Antes de deshacerse de un electrodoméstico viejo, por favor, asegúrese de que está apagado y es seguro. Desconecte el aparato y rompa cualquier cierre para evitar que los niños queden atrapados.
- Por favor, tenga en cuenta: el sistema de refrigeración contiene gas y refrigerantes que requieren de una gestión de residuos especializada.
- Puede contribuir a la conciencia medioambiental insistiendo en métodos de desecho apropiados y no contaminantes.
- No permita que mascotas y niños jueguen con el embalaje y deshágase de las bolsas de plástico de manera segura.
- Puede romper el cartón o cortarlo en trozos más pequeños y reciclarlo. Los envoltorios están fabricados en polietileno. Las almohadillas y el relleno de polietileno no contienen hidrocarburos fluorados y como tal son adecuados para el reciclaje.

¡ADVERTENCIA! Para evitar que los niños se queden encerrados dentro al jugar, si se utiliza este aparato para sustituir a otro que cuenta con cierre:

- Rompa o quite dicho cierre como medida de seguridad antes de guardarlo.
- Retire las puertas.
- Deje los estantes en su sitio para que los niños no puedan escalarlo con facilidad.
- Corte el cable de conexión tan cerca del electrodoméstico como le sea posible.
- Si este aparato, con un sello magnético en la puerta, va a reemplazar un aparato viejo que tiene un seguro de resorte en la puerta o tapa, por favor haga que el seguro de resorte no se pueda usar antes de desechar el aparato viejo. Esto reducirá el riesgo de que los niños o los animales queden atrapados en el interior.

RESOLUCIÓN DE PROBLEMAS

PROBLEMA	CAUSA/SOLUCIÓN
La nevera no funciona	No está encendida. Conéctela a un enchufe con toma de tierra.
	No hay corriente. Compruebe que el enchufe no esté defectuoso.
	Se ha fundido el fusible/se ha disparado el disyuntor. Póngase en contacto con el servicio técnico.
	Cerciórese de que el voltaje es el correcto para este electrodoméstico.
La temperatura dentro del aparato no está lo suficientemente fría.	Existe gran cantidad de comida caliente añadida recientemente en su interior. Deje pasar varias horas para que vuelva a su temperatura normal.
	Los controles no están ajustados correctamente para las condiciones del entorno.
	Compruebe que el aparato no esté expuesto a la luz solar directa o demasiado cerca de una fuente de calor.
	Compruebe que la temperatura ambiente está dentro de los límites de funcionamiento del aparato.
	Las puertas del aparato se abren con frecuencia. Una vez abierta la puerta, la humedad que se encuentra en el aire de la habitación entra en el aparato, especialmente si los niveles de humedad de la habitación son muy altos. Cuanto más se abra la puerta en condiciones húmedas, mayores serán las posibilidades de que se acumule humedad.
	La puerta no está bien cerrada.
	La junta de goma no está bien sellada.
La temperatura de dentro de la nevera es demasiado baja.	La nevera no cuenta con suficiente espacio para ventilar por detrás y por los lados.
	Aumente la temperatura ajustando el termostato a una configuración más baja. La potencia más alta solo debería usarse como un modo de enfriamiento rápido y solo debería configurarse durante dos horas antes de que se vaya a guardar una gran cantidad de comida. Si no lo hace, la temperatura podría caer por debajo de 0°C ya que el compresor estaría en continuo funcionamiento.
Condensación en el interior/exterior de las paredes del frigorífico.	Climas cálidos y húmedos aumentan la formación de escarcha en el interior. Es normal.
Mal olor.	Compruebe que la comida y las bebidas que tiene en la nevera no están caducadas y que estén correctamente envasadas. Si no lo estuviese, tírelo o enváselo bien.
	Busque que no se haya derramado nada. Cualquier derrame que se haya dejado desatendido y no se haya limpiado puede ocasionar olores indeseados.
Las puertas no se cierran bien.	Asegúrese de que no hay ningún objeto obstruyendo el cierre de la puerta.
	Compruebe que tanto los estantes como los compartimentos estén bien encajados en su sitio.
	Verifique que la junta de la puerta no esté deformada ni rasgada.
	Cerciórese de que el electrodoméstico esté nivelado.
La puerta no se abre.	Si acaba de abrir la puerta, déjela algunos minutos para que la presión del aire se equalice antes de volverlo a intentar.

PROBLEMA	CAUSA/SOLUCIÓN
Ruidos raros.	Compruebe que el aparato se encuentra en una superficie plana, nivelada y estable.
	Mire alrededor de la nevera y asegúrese de que no está tocando otros objetos.
	Ruido de gorjeo y burbujeo: se produce por el paso del líquido refrigerante por las tuberías del sistema. Este ruido es normal.
	Sonido de agua fluyendo: Es normal, se trata del agua fluyendo por el desagüe durante el proceso de descongelado.
	Si el electrodoméstico está funcionando ruidosamente (ruido de compresor): Es normal. Indica que el compresor está funcionando con normalidad. Como se está energizando el compresor, puede que haga ruido durante un corto periodo de tiempo.
	La contracción y expansión del interior de las paredes puede ocasionar sonidos de estallidos y chasquidos.
El compresor funciona todo el rato.	La temperatura está configurada demasiado baja, seleccione una temperatura más alta.
	La puerta está abierta o algo está obstruyendo el cierre.
	Las juntas de goma están desgastadas, sucias o estropeadas.
	Se ha añadido una gran cantidad de alimentos a la nevera.
	La temperatura de la habitación es más alta de lo normal.
La superficie externa de la nevera está caliente.	Las paredes exteriores pueden estar más calientes que la temperatura de la habitación. Es normal mientras el compresor trabaja para extraer calor del interior de la nevera.



En cumplimiento de las directivas: 2012/19 / UE y 2015/863 / UE sobre la restricción del uso de sustancias peligrosas en equipos eléctricos y electrónicos, así como su eliminación de residuos. El símbolo con el cubo de basura cruzado que se muestra en el paquete indica que el producto al final de su vida útil se recogerá como residuo separado. Por lo tanto, cualquier producto que haya llegado al final de su vida útil debe entregarse a centros de eliminación de residuos especializados en la recogida selectiva de equipos eléctricos y electrónicos de desecho, o devolverse al minorista al momento de comprar equipos nuevos similares, en uno para Una base. La recolección separada adecuada para la posterior puesta en marcha de los equipos enviados para ser reciclados, tratados y eliminados de una manera compatible con el medio ambiente contribuye a prevenir posibles efectos negativos sobre el medio ambiente y la salud y optimiza el reciclaje y la reutilización de los componentes que componen el aparato. La eliminación abusiva del producto por parte del usuario implica la aplicación de las sanciones administrativas de acuerdo con las leyes.

Obrigado por escolher nossa geladeira. Antes de utilizar este aparelho e para garantir a sua melhor utilização, leia atentamente as instruções básicas de segurança.

As medidas de segurança listadas aqui reduzem o risco de incêndio, choque elétrico e ferimentos quando seguidas corretamente. Guarde o manual em local seguro para referência futura, bem como o recibo de venda e a caixa. Se aplicável, entregue estas instruções ao futuro proprietário do aparelho. Siga sempre as instruções básicas de segurança e medidas de prevenção de riscos ao usar um aparelho elétrico. O fabricante não será responsável por quaisquer danos resultantes do incumprimento destas instruções por parte do utilizador.

INSTRUÇÕES DE SEGURANÇA

Antes de usar qualquer aparelho elétrico, leia atentamente as seguintes precauções básicas de segurança.

- Este aparelho destina-se a ser utilizado em ambientes domésticos ou similares, por exemplo: áreas de cozinha para funcionários em lojas, escritórios e outros ambientes de trabalho, casas de campo e por clientes em hotéis, motéis e outros ambientes de tipo residencial, tipo bed and breakfast, catering e similares aplicações não varejistas.
- Este aparelho pode ser usado por crianças com 8 anos ou mais e pessoas com capacidades físicas, sensoriais ou mentais reduzidas ou com falta de experiência e conhecimento, desde que tenham recebido supervisão ou instruções sobre o uso do aparelho de forma segura e compreendam os perigos envolvidos.
- As crianças não devem brincar com o dispositivo. A limpeza e a manutenção do aparelho não devem ser realizadas por crianças sem supervisão.
- Se o cabo de alimentação estiver danificado, ele deverá ser substituído pelo fabricante, seu agente de serviço ou pessoa qualificada para evitar perigos.
- Mantenha as aberturas de ventilação desobstruídas.
- Não utilize dispositivos mecânicos ou outros meios para acelerar o processo de descongelamento além dos recomendados pelo fabricante.
- Não utilize aparelhos elétricos dentro dos compartimentos de armazenamento de alimentos do aparelho, a menos que sejam do tipo recomendado pelo fabricante.
- Para aparelhos que utilizam gases isolantes inflamáveis, apenas o agente de serviço ou pessoal qualificado pode remover os gases isolantes inflamáveis contidos no aparelho.
- Não armazene substâncias explosivas, como latas de aerossol com propelente inflamável, neste aparelho.
- Para evitar perigos devido à instabilidade do aparelho, este deve ser fixado de acordo com as instruções indicadas nas instruções.
- Este aparelho de refrigeração não foi projetado para ser embutido.

- Certifique-se de que a fonte de alimentação atenda aos requisitos indicados na etiqueta de informações do produto.
- Use uma tomada separada, de pelo menos 10 A e com dispositivo de aterramento. Nunca use um transformador ou tomada de extensão para energia elétrica.
- Em todos os casos, a tomada deve estar ligada a uma linha de terra. Nunca modifique a linha de alimentação e/ou plugue.
- O plugue da linha de alimentação deve ser mantido em contato sólido com a tomada, caso contrário poderá causar incêndio.
- Uma vez instalado o frigorífico, a ficha deve estar facilmente acessível para facilitar a sua remoção em caso de acidente.
- Nunca desligue o refrigerador arrastando o cabo de alimentação. Para remover o plugue, segure-o e retire-o da tomada.
- Evite esmagar o cabo de alimentação com o corpo do refrigerador ou pisar nele.
- Tenha muito cuidado ao manusear a geladeira. Nunca enrole o cabo do aparelho.
- Se a linha de alimentação estiver danificada ou o plugue estiver gasto, não use o produto. Neste caso, a troca da linha ou tomada deverá ser realizada na oficina indicada pelo fabricante ou por profissional competente.
- Em caso de vazamento de gás, feche a válvula com vazamento e abra as portas e janelas para ventilar. Nunca insira ou remova a tomada elétrica do refrigerador.
- Nunca armazene ou use gasolina ou outras substâncias inflamáveis nas proximidades do refrigerador para evitar incêndios.
- Nunca coloque substâncias inflamáveis e explosivas, ácidos ou álcalis altamente corrosivos, etc. Na geladeira.
- Evite danos ao circuito de refrigeração.
- Evite que as crianças brinquem com o produto, pois podem ficar presas no seu interior.
- Evite que as crianças se pendurem na porta para evitar ferimentos devido à inclinação da porta ou ao virar do frigorífico.
- Evite que as crianças coloquem as mãos ou os pés em vários tipos de orifícios perfurados e bordas laterais do compartimento mecânico, placa traseira ou outras peças metálicas de proteção do refrigerador para evitar ferimentos.
- Nunca borrife ou enxágue o refrigerador com água, nem coloque o refrigerador em uma área exposta à umidade ou respingos de água, muito menos encha o refrigerador com água, para evitar afetar o isolamento elétrico do refrigerador. Além disso, o não cumprimento destes requisitos pode causar choque elétrico, incêndio ou outros acidentes.
- Depois de utilizar o frigorífico, nunca toque na sua superfície interior, especialmente se tiver as mãos molhadas, caso contrário a sua pele pode aderir à superfície interior e causar ferimentos.

- Nunca remova ou modifique o refrigerador sem autorização, pois poderá causar danos ao circuito do refrigerador. O conserto do refrigerador deve ser realizado por um profissional competente.
- Não armazene alimentos líquidos engarrafados no congelador.
- Não coloque na boca produtos congelados retirados diretamente do freezer (picolés, cubos de gelo, etc.), pois sua baixa temperatura pode causar queimaduras graves. Deixe-os descansar por alguns minutos.
- Mantenha o refrigerador longe de fontes de ignição para evitar acidentes.
- Apenas o pessoal de assistência técnica pode fazer a manutenção do frigorífico e a participação não profissional pode ser perigosa para os utilizadores.
- Ao colocar o aparelho, certifique-se de que o cabo de alimentação não esteja comprimido ou danificado.
- Não coloque várias tomadas ou fontes de alimentação portáteis na parte traseira do aparelho.
- Ao eliminar o aparelho, faça-o apenas num centro de eliminação de resíduos autorizado. Entregue o refrigerador no local de descarte designado.
- Não exponha o refrigerador a chamas.
- Para evitar a contaminação dos alimentos, siga as seguintes instruções:
 - A abertura prolongada da porta pode provocar um aumento significativo da temperatura nos compartimentos do aparelho.
 - Limpe periodicamente as superfícies que possam entrar em contacto com alimentos e sistemas de drenagem acessíveis.
 - Guarde a carne e o peixe crus em recipientes adequados no frigorífico, para que não entrem em contacto nem pinguem sobre outros alimentos.
 - Os compartimentos para alimentos congelados de duas estrelas são adequados para armazenar alimentos pré-congelados e fazer cubos de gelo.
 - Os compartimentos de uma, duas e três estrelas não são adequados para congelar alimentos frescos.
- Se o aparelho de refrigeração ficar vazio por longos períodos, desligue o refrigerador, descongele, limpe, seque e deixe a porta aberta para evitar a formação de mofo no interior do aparelho.

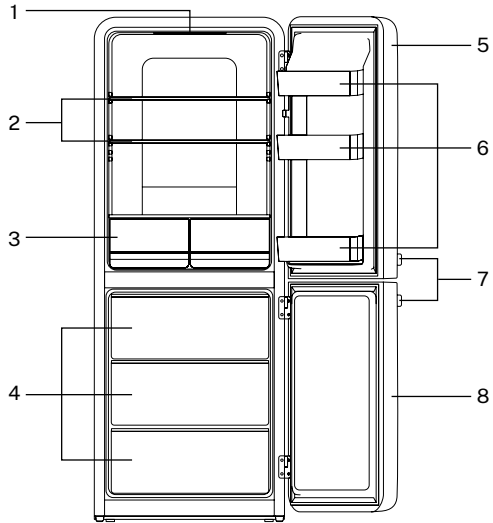


Refrigerante

- No circuito de refrigeração do aparelho existe o refrigerante isobutano (R600a), um gás natural com elevado nível de compatibilidade ambiental, mas que é, no entanto, inflamável. Durante o transporte e instalação do aparelho, certifique-se de que nenhum dos componentes do circuito frigorífico seja danificado.
- O refrigerante (R600a) é inflamável.
- Se o circuito de refrigeração estiver danificado:
 - Evite chamas abertas e fontes de ignição.
 - Ventile bem o ambiente onde o aparelho está localizado.

LISTA DE PEÇAS

1. Luz LED
2. Prateleiras de vidro
3. Gavetas
4. Gavetas de freezer
5. Porta da geladeira
6. Prateleiras de porta
7. Alças
8. Porta do freezer



INSTALAÇÃO

Antes de instalar seu novo refrigerador, leia atentamente o manual e siga estas instruções:

1. Coloque o refrigerador sobre um piso estável e nivelado para que faça menos ruído. Certifique-se de que o piso seja resistente o suficiente para suportar seu peso quando estiver completamente cheio.
2. Se for colocar a geladeira sobre um tapete, coloque uma tábua de madeira entre o tapete e a geladeira. Observe que colocar o refrigerador sobre um tapete pode fazer com que o calor emitido pelo compressor descolore o tapete.
3. Este aparelho foi projetado para ser montado sozinho e não para ser embutido ou montado em um suporte.
4. Não incline o refrigerador mais de 45° ao movê-lo.
5. Evite áreas onde o aparelho fique exposto à luz solar, fontes de calor (fogão, estufa, radiador, etc.), temperaturas ambientes extremamente baixas ou alta umidade. Instale-o na área mais fresca da sala economizará energia.

Manuseie com cuidado! Não aplique força em nenhuma peça, como condensador ou portas. Os trilhos de metal sob o refrigerador podem ter bordas afiadas, por isso sempre desmonte-o com cuidado. Não arraste a geladeira, coloque-a com cuidado no lugar para não riscar o chão.

REQUISITOS DE ESPAÇO

- Instale o refrigerador de forma que haja espaço suficiente para abrir a porta.
- Deixe um espaço mínimo de 100 mm na parte traseira do refrigerador para garantir que o ar possa circular livremente para que o compressor e o condensador possam esfriar. Deixe também pelo menos 50mm de espaço na parte superior da geladeira e 50mm de cada lado.

NIVELAMENTO

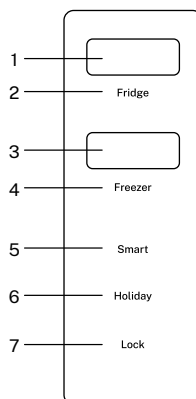
- O aparelho deve estar nivelado para funcionar corretamente. Se não estiver devidamente nivelado, as portas e o alinhamento do selo magnético não serão cobertos adequadamente.
- Para nivelar o refrigerador, ajuste um ou ambos os pés niveladores em sua base.

ANTES DA PRIMEIRA UTILIZAÇÃO

1. Limpe a geladeira. Não limpe o corpo do refrigerador diretamente com água, nem use gasolina ou outros produtos solventes para limpeza.
2. Certifique-se de que o refrigerador esteja nivelado corretamente.
3. Após nivelar e limpar o refrigerador, não ligue-o imediatamente. Mantenha o refrigerador desligado por pelo menos 24 horas para garantir o funcionamento normal.
4. Feche as portas do refrigerador e insira o cabo de alimentação. Antes de conectar o refrigerador, verifique se a tomada elétrica possui uma conexão de aterramento correta.
5. Se o cabo de alimentação estiver danificado, deve ser substituído pelo profissional do fabricante, pelo seu departamento de reparação ou qualquer departamento similar para evitar qualquer perigo.
6. Assim que a fonte de alimentação for ligada, o refrigerador começará a funcionar. Se o refrigerador não funcionar por um longo período de tempo, verifique se a tomada e o circuito elétrico funcionam normalmente. Se for detectada uma queda repentina de temperatura meia hora depois de abrir a porta do refrigerador, o refrigerador estará funcionando normalmente.
7. Após 3 ou 4 horas, ajuste a temperatura e recheie os alimentos de acordo com as instruções. É normal que o compressor funcione por mais tempo durante a conexão inicial e depois funcione de forma intermitente.
8. Geralmente, não pare o refrigerador, para não influenciar sua vida útil normal. Após retirar o plugue da rede elétrica, aguarde pelo menos 5 minutos antes de conectá-lo novamente, para garantir o funcionamento normal do refrigerador.
9. Não desligue a alimentação do refrigerador quando não for necessário, pois a interrupção da alimentação poderá provocar aumento da temperatura no interior do refrigerador, encurtando assim o período de armazenamento dos alimentos.
10. Mantenha algum espaço entre os recipientes de alimentos para facilitar a circulação de ar fresco.

PAINEL DE CONTROLE

1. Exibição de geladeira
2. Geladeira e botão de resfriamento rápido
3. Tela do freezer
4. Botão congelador
5. Botão de modo inteligente
6. Botão modo férias
7. Botão de bloqueio



Configurações do refrigerador

- Pressione o botão do refrigerador para alterar a temperatura do frigorífico.
- As configurações do compartimento frigorífico podem ser ajustadas ciclicamente entre 8°C e 2°C.
- A temperatura definida para o compartimento do frigorífico é apresentada no primeiro ecrã do painel de controlo.

Configurações do freezer

- Pressione o botão do freezer para alterar a temperatura do freezer.
- As configurações do compartimento congelador podem ser ajustadas ciclicamente entre -14°C e -24°C .
- A temperatura definida para o compartimento do congelador será apresentada no segundo ecrã do painel de controlo.

Modo inteligente

- Pressione o botão Inteligente por três segundos para entrar ou sair do modo inteligente.
- Este modo ajusta automaticamente as temperaturas do compartimento congelador para -18°C e do compartimento frigorífico para 5°C .

Modo férias

- Pressione o botão Feriados por três segundos para entrar no modo férias.
- Ao entrar no modo de férias, o ícone do botão de férias acende-se e o primeiro ecrã do painel de controlo apresenta "----".
- Você pode definir o modo férias quando não precisar usar a geladeira por um longo período de tempo, dessa forma você economizará energia elétrica.
- Quando o frigorífico está em modo férias, o compartimento frigorífico está regulado para 15°C , ao definir esta opção deve retirar os alimentos do frigorífico, caso contrário podem estragar.
- Para sair do modo férias, altere a temperatura do compartimento frigorífico, no modo de arrefecimento rápido ou pressione o botão Férias.
- Ao sair do modo de férias, o compartimento do congelador funcionará normalmente de acordo com a temperatura definida do compartimento do congelador.

Modo de resfriamento rápido

- Pressione o botão do freezer ou do refrigerador por 3 segundos para entrar ou sair do modo de resfriamento rápido.

Bloqueio

1. O painel de controlo permanece sempre bloqueado para evitar uma utilização não intencional.
2. Para desativar a função de bloqueio e ativar o painel, prima e mantenha premido o botão durante 3 segundos.
3. Se o painel tiver sido desbloqueado, volta a bloquear-se automaticamente 1 minuto depois de fechar a porta do compartimento do frigorífico.

CUIDADOS E CONSELHOS

ECONOMIA DE ENERGIA

- Espere que os alimentos e bebidas quentes esfriem antes de colocá-los na geladeira.
- Não sobrecarregue o refrigerador, pois isso faz com que o compressor funcione por mais tempo.
- Embrulhe bem os alimentos, limpe e seque os recipientes antes de os colocar no frigorífico para evitar a formação de gelo.
- Não forre nenhum compartimento da geladeira com papel alumínio, papel vegetal ou guardanapos de papel. Qualquer forro interfere na circulação, reduzindo a eficiência.
- Armazene os alimentos de forma que o ar possa circular ao seu redor.
- Não deixe a porta do refrigerador aberta por mais tempo do que o necessário.
- Certifique-se de que os alimentos não tocam na parte de trás dos compartimentos.
- Não ajuste o termostato para uma temperatura extremamente baixa.

MOVA A GELADEIRA

1. Desligue a geladeira e retire todos os alimentos de dentro.
2. Feche e prenda as portas e o cabo de alimentação na parte traseira da geladeira. Retire todas as partes removíveis, embrulhe-as bem e prenda-as com fita adesiva para que não se movam durante a movimentação.
3. Dependendo do modelo, levante a frente da geladeira para facilitar o rolamento ou aperte os pés niveladores para não riscar o chão.

CUIDADOSO! Nunca levante o refrigerador pela porta.

4. Proteja a parte externa do produto com um cobertor ou item macio e acolchoado e certifique-se de que o refrigerador permaneça seguro e na posição vertical durante o transporte.

MUDANÇA DE UNIDADES

Para alternar entre Celsius (°C) e Fahrenheit (°F), prima e mantenha premidas as teclas Smart e Holiday simultaneamente durante 3 segundos.

LIMPEZA

Desligue o aparelho da tomada elétrica antes de limpá-lo.

Limpeza interna.

- Não deite água no aparelho.
- Limpe regularmente a cavidade com uma solução à base de bicarbonato de sódio e água morna (5ml/0,5l de água).
- Limpe os acessórios separadamente com água e sabão. Não os coloque na máquina de lavar louça.
- Não utilize produtos abrasivos, detergentes ou sabões.
- Após a limpeza dos acessórios, enxágue-os com água limpa e seque-os cuidadosamente.
- Quando terminar de limpar todo o refrigerador, reconecte o plugue à rede elétrica com as mãos secas.

Limpeza externa.

- Limpe a parte externa com água morna e sabão. Não utilize produtos abrasivos.
- Existem elementos pontiagudos nas partes inferiores do produto, tenha cuidado ao limpá-lo.
- Uma ou duas vezes por ano, remova a poeira da parte traseira da geladeira e do compressor na parte traseira com uma escova ou aspirador de pó. A acumulação de pó pode afetar negativamente o desempenho do aparelho e provocar um aumento no consumo de energia.

AVISO!

- Nunca limpe o aparelho com produtos de limpeza ácidos, abrasivos, oleosos, à base de solventes, esponjas abrasivas ou esfregões. Nunca utilize fluidos ou sprays inflamáveis para limpeza, pois os gases emitidos por essas substâncias podem causar risco de incêndio ou explosão.
- Nunca limpe o aparelho com um limpador a vapor. A umidade pode acumular-se nos componentes elétricos e causar risco de choque elétrico! Os vapores quentes podem causar danos às peças plásticas.
- O aparelho deve estar completamente seco antes de voltar a funcionar.
- Os óleos essenciais e os solventes orgânicos podem atacar peças plásticas (como suco de limão ou suco da casca de uma laranja) ou produtos de limpeza que contenham ácido acético. Não permita que estas substâncias entrem em contacto com qualquer parte do aparelho.

ARMAZENAMENTO DE ALIMENTOS

- Antes de guardar alimentos na geladeira, certifique-se de que seus alimentos, especialmente alimentos que contenham água, sejam colocados em sacos plásticos ou recipientes devidamente embrulhados para evitar odores inesperados ou ressecamento.
- Alimentos quentes ou mornos devem ser colocados na geladeira após esfriarem para economizar energia.
- Deixe espaço adequado entre os alimentos para melhor ventilação do ar na geladeira.
- É melhor armazenar os alimentos em pedaços do que em pedaços inteiros.
- Guarde frutas, vegetais e bebidas engarrafadas após a limpeza.
- Guarde frutas e vegetais na gaveta de gavetas para que fiquem frescos.
- Mantenha os alimentos frescos e quentes à temperatura ambiente, longe de produtos já congelados.
- Para congelar produtos, utilize o espaço marcado: ❄️ ❄️ ❄️
- O tempo de armazenamento dos produtos congelados depende da sua qualidade antes do congelamento quando frescos e da temperatura de armazenamento. Os seguintes períodos de armazenamento são recomendados quando a temperatura é mantida a -18°C ou inferior:

Produtos	Meses
Carne bovina	6-8
Vitela	3-6
Miudezas	1-2

Produtos	Meses
Porco	3-6
Aves de criação	6-8
Peixe	3-6

DESCARTE DE PRODUTO

Certifique-se de que todos os fechos estejam inutilizáveis, remova a(s) porta(s) e descarte-as separadamente.

Aviso de risco químico: Não deixe as crianças brincarem com aparelhos antigos.

Entre em contato com a autoridade municipal correspondente para saber mais sobre o procedimento de desmantelamento.

- Antes de descartar um aparelho antigo, certifique-se de que ele esteja desligado e seguro. Desligue o aparelho e quebre todas as fechaduras para evitar que crianças fiquem presas.
- Observação: o sistema de resfriamento contém gases e refrigerantes que exigem gerenciamento especializado de resíduos.
- Você pode contribuir para a conscientização ambiental insistindo em métodos de descarte adequados e não poluentes.
- Não permita que animais de estimação e crianças brinquem com as embalagens e descarte os sacos plásticos com segurança.
- Você pode rasgar o papelão ou cortá-lo em pedaços menores e reciclá-lo. As embalagens são feitas de polietileno. O enchimento e enchimento de polietileno não contém hidrocarbonetos fluorados e, como tal, são adequados para reciclagem.

AVISO! Para evitar que as crianças fiquem trancadas dentro de casa enquanto brincam, se este aparelho for utilizado para substituir outro que tenha fechadura:

- Quebre ou remova a tampa como medida de segurança antes de armazená-la.
- Remova as portas.
- Deixe as prateleiras no lugar para que as crianças não possam subir facilmente.
- Corte o cabo de ligação o mais próximo possível do aparelho.
- Se este aparelho, com vedação magnética da porta, for substituir um aparelho antigo que possui uma trava de mola na porta ou tampa, inutilize a trava de mola antes de descartar o aparelho antigo. Isto reduzirá o risco de crianças ou animais ficarem presos no interior.

RESOLUÇÃO DE PROBLEMAS

PROBLEMA	CAUSA/SOLUÇÃO
A geladeira não funciona	Não está ligado. Conecte-o a uma tomada aterrada.
	Não há corrente. Verifique se o plugue não está com defeito.
	O fusível queimou/o disjuntor disparou. Entre em contato com seu representante de serviço.
	Certifique-se de que a voltagem esteja correta para este aparelho.
A temperatura no interior do aparelho não é suficientemente baixa.	Há muita comida quente recentemente adicionada dentro. Aguarde algumas horas para que ele retorne à temperatura normal.
	Os controles não estão ajustados corretamente para as condições ambientais.
	Verifique se o aparelho não está exposto à luz solar direta ou muito próximo de uma fonte de calor.
	Verifique se a temperatura ambiente está dentro dos limites de funcionamento do aparelho.
	As portas do aparelho são abertas com frequência. Depois de aberta a porta, a umidade presente no ar ambiente entra no aparelho, especialmente se os níveis de umidade na divisão forem muito elevados.
	Quanto mais a porta for aberta em condições úmidas, maior será a chance de acúmulo de umidade.
	A porta não está fechada.
	A junta de borracha não está devidamente vedada.
A temperatura dentro da geladeira é muito baixo.	O refrigerador não tem espaço suficiente para ventilar pela parte traseira e pelas laterais.
	Aumente a temperatura ajustando o termostato para uma configuração mais baixa. A potência mais alta só deve ser usada como modo de resfriamento rápido e só deve ser definida para duas horas antes de armazenar uma grande quantidade de alimentos. Caso contrário, a temperatura poderá cair abaixo de 0°C, pois o compressor estaria em funcionamento contínuo.
Condensação no interior/exterior das paredes do frigorífico.	Os climas quentes e úmidos aumentam a formação de geadas em ambientes fechados. É normal.
Mau cheiro.	Verifique se os alimentos e bebidas que você tem na geladeira não estão vencidos e estão devidamente embalados. Se não estiver, jogue-o fora ou guarde-o bem.
	Certifique-se de que nada foi derramado. Qualquer derramamento deixado sem vigilância e sem limpeza pode causar odores indesejados.
As portas não fecham corretamente.	Certifique-se de que não haja objetos impedindo o fechamento da porta.
	Verifique se as prateleiras e os compartimentos estão bem colocados.
	Verifique se a junta da porta não está deformada ou rasgada.
	Certifique-se de que o aparelho esteja nivelado.
A porta não abrirá.	Se você acabou de abrir a porta, aguarde alguns minutos para que a pressão do ar se equalize antes de tentar novamente.

PROBLEMA	CAUSA/SOLUÇÃO
Barulhos estranhos.	Verifique se o aparelho está sobre uma superfície plana, nivelada e estável.
	Olhe ao redor da geladeira e certifique-se de não tocar em outros objetos.
	Ruído gorgolejante e borbulhante: produzido pela passagem do líquido refrigerante pelas tubulações do sistema. Este ruído é normal.
	Som de água corrente: Isso é normal, é água escorrendo pelo ralo durante o processo de descongelamento.
	Se o aparelho estiver funcionando ruidosamente (ruído do compressor): É normal. Indica que o compressor está funcionando normalmente. À medida que o compressor está sendo energizado, ele pode emitir ruído por um curto período de tempo.
	A contração e expansão do interior das paredes pode causar estalos e cliques.
O compressor funciona o tempo todo.	A temperatura está muito baixa, selecione uma temperatura mais alta.
	A porta está aberta ou algo está bloqueando o fechamento.
	As vedações de borracha estão gastas, sujas ou danificadas.
	Uma grande quantidade de alimentos foi colocada na geladeira.
	A temperatura ambiente está acima do normal.
A superfície fora da geladeira está quente.	As paredes externas podem estar mais quentes que a temperatura ambiente. É normal enquanto o compressor funciona para extrair calor do interior do refrigerador.



Em conformidade com as diretrizes: 2012/19 / UE e 2015/863 / UE sobre a restrição do uso de substâncias perigosas em equipamentos elétricos e eletrônicos, bem como a eliminação de resíduos. O símbolo com o caixote do lixo cruzado mostrado na embalagem indica que o produto ao final de sua vida útil será coletado como lixo separado. Portanto, qualquer produto que tenha atingido o fim de sua vida útil deve ser entregue a centros especializados de eliminação de resíduos para coleta seletiva de equipamentos elétricos e eletrônicos, ou devolvido ao varejista ao comprar equipamentos novos similares, em um para uma base. A coleta seletiva apropriada para o comissionamento subsequente do equipamento enviado para reciclagem, tratamento e descarte de maneira ecológica ajuda a evitar possíveis efeitos negativos no meio ambiente e na saúde e otimiza a reciclagem e reutilização de os componentes que compõem o dispositivo. A eliminação abusiva do produto pelo usuário implica a aplicação de sanções administrativas de acordo com as leis.

Merci d'avoir choisi notre réfrigérateur. Avant d'utiliser cet appareil et pour garantir sa meilleure utilisation, veuillez lire attentivement les consignes de sécurité de base.

Les mesures de sécurité répertoriées ici réduisent le risque d'incendie, de choc électrique et de blessure lorsqu'elles sont correctement suivies. Veuillez conserver le manuel dans un endroit sûr pour référence future, ainsi que le reçu de vente et la boîte. Le cas échéant, remettez ces instructions au futur propriétaire de l'appareil. Suivez toujours les instructions de sécurité de base et les mesures de prévention des risques lorsque vous utilisez un appareil électrique. Le fabricant ne sera pas responsable de tout dommage résultant du non-respect par l'utilisateur de ces instructions.

CONSIGNES DE SÉCURITÉ

Avant d'utiliser un appareil électrique, lisez attentivement les précautions de sécurité de base suivantes.

- Cet appareil est destiné à être utilisé dans un environnement domestique ou similaire, par exemple : les cuisines du personnel dans les magasins, bureaux et autres environnements de travail, les chalets et par les clients des hôtels, motels et autres environnements de type résidentiel, de type chambre d'hôtes, restauration et similaires. applications non commerciales.
- Cet appareil peut être utilisé par des enfants âgés de 8 ans et plus et des personnes ayant des capacités physiques, sensorielles ou mentales réduites ou un manque d'expérience et de connaissances s'ils ont reçu une surveillance ou des instructions concernant l'utilisation de l'appareil en toute sécurité et comprennent les dangers encourus. .
- Les enfants ne doivent pas jouer avec l'appareil. Le nettoyage et l'entretien de l'appareil ne doivent pas être effectués par des enfants sans surveillance.
- Si le cordon d'alimentation est endommagé, il doit être remplacé par le fabricant, son agent de service ou des personnes de qualification similaire afin d'éviter tout danger.
- Gardez les ouvertures de ventilation libres de toute obstruction.
- N'utilisez pas de dispositifs mécaniques ou d'autres moyens pour accélérer le processus de dégivrage autres que ceux recommandés par le fabricant.
- N'utilisez pas d'appareils électriques à l'intérieur des compartiments de stockage des aliments de l'appareil, sauf s'ils sont du type recommandé par le fabricant.
- Pour les appareils qui utilisent des gaz isolants inflammables, seul l'agent de service ou un personnel de qualification similaire peut éliminer les gaz isolants inflammables contenus dans l'appareil.
- Ne stockez pas de substances explosives telles que des bombes aérosol contenant un propulseur inflammable dans cet appareil.
- Pour éviter tout danger dû à l'instabilité de l'appareil, celui-ci doit être fixé conformément aux instructions indiquées dans la notice.
- Cet appareil de réfrigération n'est pas conçu pour être encastrable.

- Assurez-vous que l'alimentation électrique répond aux exigences indiquées sur l'étiquette d'information du produit.
- Utilisez une prise de courant séparée, d'au moins 10 A et dotée d'un dispositif de mise à la terre. N'utilisez jamais de transformateur ou de rallonge pour l'alimentation électrique.
- Dans tous les cas, la prise doit être reliée à une ligne de terre. Ne modifiez jamais la ligne électrique et/ou la prise.
- La fiche de la ligne électrique doit être maintenue en contact solide avec la prise, sinon cela pourrait provoquer un incendie.
- Une fois le réfrigérateur installé en place, la prise doit être facilement accessible pour faciliter son retrait en cas d'accident.
- Ne débranchez jamais le réfrigérateur en tirant sur le cordon d'alimentation. Pour retirer la fiche, tenez-la et retirez-la de la prise.
- Évitez d'écraser le cordon d'alimentation avec le corps du réfrigérateur ou de marcher dessus.
- Soyez très prudent lorsque vous manipulez le réfrigérateur. N'enroulez jamais le cordon de l'appareil.
- Si la ligne électrique est endommagée ou si la fiche est usée, n'utilisez pas le produit. Dans ce cas, le changement de ligne électrique ou de prise doit être effectué dans l'atelier de réparation désigné par le fabricant ou par un professionnel compétent.
- En cas de fuite de gaz, fermez le robinet qui fuit puis ouvrez les portes et fenêtres pour aérer. N'insérez ou ne retirez jamais la prise de courant du réfrigérateur.
- Ne stockez ni n'utilisez jamais d'essence ou d'autres substances inflammables à proximité immédiate du réfrigérateur pour éviter les incendies.
- Ne placez jamais de substances inflammables et explosives, d'acides ou d'alcalis hautement corrosifs, etc. dans le réfrigérateur.
- Évitez d'endommager le circuit de réfrigération.
- Empêchez les enfants de jouer avec le produit, car ils pourraient rester coincés à l'intérieur.
- Empêchez les enfants de s'accrocher au corps de la porte pour éviter les blessures dues à l'inclinaison du corps de la porte ou à la rotation du réfrigérateur.
- Empêchez les enfants de mettre leurs mains ou leurs pieds dans divers types de trous perforés et de bords latéraux du compartiment mécanique, de la plaque arrière ou d'autres pièces de protection métalliques du réfrigérateur pour éviter les blessures.
- Ne vaporisez ou ne rincez jamais le réfrigérateur avec de l'eau, et ne placez jamais le réfrigérateur dans une zone exposée à l'humidité ou aux éclaboussures d'eau, et encore moins remplissez le réfrigérateur d'eau, pour éviter d'affecter l'isolation électrique du réfrigérateur. De plus, le non-respect de ces exigences peut provoquer un choc électrique, un incendie ou d'autres accidents.
- Après avoir utilisé le réfrigérateur, ne touchez jamais sa surface intérieure, surtout si vos mains sont mouillées, sinon votre peau pourrait coller à la surface intérieure et provoquer des blessures.

- Ne retirez ou modifiez jamais le réfrigérateur sans autorisation, cela pourrait endommager le circuit du réfrigérateur. La réparation du réfrigérateur doit être effectuée par un professionnel compétent.
- Ne stockez pas d'aliments liquides en bouteille dans la chambre du congélateur.
- Ne mettez pas dans votre bouche des produits surgelés sortis directement du congélateur (popsicles, glaçons, etc.), car leur basse température peut provoquer de graves brûlures. Laissez-les reposer quelques minutes.
- Gardez le réfrigérateur à l'écart des sources d'inflammation pour éviter les accidents.
- Seul le personnel du service technique peut entretenir le réfrigérateur et une participation non professionnelle peut être dangereuse pour les utilisateurs.
- Lorsque vous placez l'appareil, assurez-vous que le cordon d'alimentation n'est pas pincé ou endommagé.
- Ne placez pas plusieurs prises de courant portables ou blocs d'alimentation portables à l'arrière de l'appareil.
- Lorsque vous jetez l'appareil, faites-le uniquement dans une déchetterie agréée. Livrez le réfrigérateur au lieu d'élimination désigné.
- N'exposez pas le réfrigérateur aux flammes.
- Pour éviter la contamination des aliments, suivez les instructions suivantes :
 - Une ouverture prolongée de la porte peut provoquer une augmentation importante de la température dans les compartiments de l'appareil.
 - Nettoyez périodiquement les surfaces susceptibles d'entrer en contact avec des aliments et les systèmes de drainage accessibles.
 - Conservez la viande et le poisson crus dans des récipients appropriés au réfrigérateur, afin qu'ils n'entrent pas en contact avec d'autres aliments ou ne coulent pas sur d'autres aliments.
 - Les compartiments pour aliments surgelés deux étoiles conviennent au stockage des aliments précongelés et à la fabrication de glaçons.
 - Les compartiments une, deux et trois étoiles ne conviennent pas à la congélation d'aliments frais.
- Si l'appareil de réfrigération reste vide pendant une longue période, éteignez le réfrigérateur, décongelez, nettoyez, séchez et laissez la porte ouverte pour éviter la formation de moisissures à l'intérieur de l'appareil.

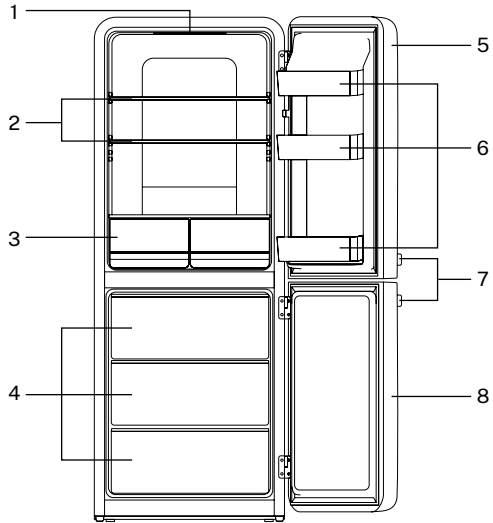


Réfrigérant

- Dans le circuit frigorifique de l'appareil se trouve le réfrigérant isobutane (R600a), un gaz naturel avec un haut niveau de compatibilité environnementale, mais qui est cependant inflammable. Lors du transport et de l'installation de l'appareil, assurez-vous qu'aucun des composants du circuit frigorifique n'est endommagé.
- Le réfrigérant (R600a) est inflammable.
- Si le circuit frigorifique est endommagé :
 - Évitez les flammes nues et les sources d'inflammation.
 - Aérez bien la pièce dans laquelle se trouve l'appareil.

LISTE DES PIÈCES

1. Lumière LED
2. Étagères en verre
3. Tiroirs
4. Tiroirs de congélateur
5. Porte du réfrigérateur
6. Étagères de porte
7. Poignées
8. Porte du congélateur



FACILITÉ

Avant d'installer votre nouveau réfrigérateur, lisez attentivement le manuel et suivez ces instructions :

1. Placez le réfrigérateur sur un sol stable et plat afin qu'il fasse moins de bruit. Assurez-vous que le sol est suffisamment solide pour supporter son poids une fois complètement rempli.
2. Si vous deviez placer le réfrigérateur sur un tapis, placez une planche de bois entre le tapis et le réfrigérateur. Veuillez noter que placer le réfrigérateur sur un tapis peut provoquer une décoloration du tapis par la chaleur émise par le compresseur.
3. Cet appareil est conçu pour être autonome et non pour être encastré ou monté sur un support.
4. N'inclinez pas le réfrigérateur de plus de 45° lorsque vous le déplacez.
5. Évitez les zones où l'appareil serait exposé au soleil, à des sources de chaleur (poêle, poêle, radiateur, etc.), à des températures ambiantes extrêmement basses ou à une humidité élevée. L'installer dans la zone la plus fraîche de la pièce permettra d'économiser de l'énergie.

Manipuler avec soin! N'appliquez aucune force sur des pièces telles que le condenseur ou les portes. Les rails métalliques sous le réfrigérateur peuvent avoir des bords tranchants, alors déballez-le toujours avec soin. Ne traînez pas le réfrigérateur, remettez-le soigneusement à sa place afin qu'il ne raye pas le sol.

EXIGENCES D'ESPACE

- Installez le réfrigérateur de manière à disposer de suffisamment d'espace pour ouvrir la porte.
- Laissez un espace minimum de 100 mm à l'arrière du réfrigérateur pour garantir que l'air puisse circuler librement afin que le compresseur et le condenseur puissent refroidir. Laissez également au moins 50 mm d'espace en haut du réfrigérateur et 50 mm de chaque côté.

NIVELLEMENT

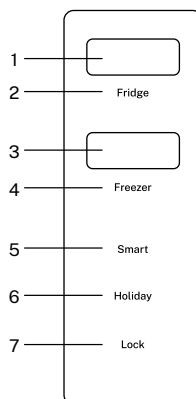
- L'appareil doit être de niveau pour qu'il fonctionne correctement. S'ils ne sont pas correctement nivelés, les portes et l'alignement du joint magnétique ne seront pas correctement couverts.
- Pour mettre le réfrigérateur à niveau, ajustez un ou les deux pieds de nivellement sur sa base.

AVANT LA PREMIÈRE UTILISATION

1. Nettoyez le réfrigérateur. Ne nettoyez pas le corps du réfrigérateur directement avec de l'eau et n'utilisez pas d'essence ou d'autres produits solvants pour le nettoyage.
2. Assurez-vous que le réfrigérateur est correctement de niveau.
3. Après avoir nivelé et nettoyé le réfrigérateur, ne l'allumez pas immédiatement. Gardez le réfrigérateur éteint pendant au moins 24 heures pour garantir un fonctionnement normal.
4. Fermez les portes du réfrigérateur et insérez le cordon d'alimentation. Avant de connecter le réfrigérateur, vérifiez que votre prise de courant dispose d'une connexion à la terre correcte.
5. Si le cordon d'alimentation est endommagé, il doit être remplacé par le professionnel du fabricant, son service de réparation ou tout service similaire pour éviter tout danger.
6. Une fois l'alimentation électrique allumée, le réfrigérateur commencera à fonctionner. Si le réfrigérateur ne fonctionne pas pendant une longue période, vérifiez si la prise de courant et le circuit électrique fonctionnent normalement. Si une baisse soudaine de température est détectée une demi-heure plus tard après l'ouverture de la porte du réfrigérateur, le réfrigérateur fonctionne normalement.
7. Après 3 ou 4 heures, ajustez la température puis remplissez les aliments selon les instructions. Il est normal que le compresseur fonctionne plus longtemps lors du branchement initial, puis fonctionne par intermittence.
8. D'une manière générale, n'arrêtez pas le réfrigérateur afin de ne pas influencer sa durée de vie normale. Après avoir débranché la fiche de la ligne électrique, attendez au moins 5 minutes avant de la rebrancher, pour garantir le fonctionnement normal du réfrigérateur.
9. Ne coupez pas l'alimentation électrique du réfrigérateur lorsque cela n'est pas nécessaire, car l'interruption de l'alimentation électrique pourrait provoquer une augmentation de la température à l'intérieur du réfrigérateur, raccourcissant ainsi la durée de conservation des aliments.
10. Maintenez un certain espace entre les contenants alimentaires pour faciliter la circulation de l'air frais.

PANNEAU DE COMMANDE

1. Affichage du réfrigérateur
2. Réfrigérateur et bouton de refroidissement rapide
3. Écran de congélateur
4. Bouton du congélateur
5. Bouton du mode intelligent
6. Bouton du mode vacances
7. Bouton de verrouillage



Paramètres du réfrigérateur

- Appuyez sur la touche réfrigérateur pour modifier la température du réfrigérateur.
- Les réglages du compartiment réfrigérateur peuvent être ajustés de manière cyclique entre 8°C et 2°C.
- La température de consigne du compartiment réfrigérateur est affichée sur le premier écran du panneau de commande.

Paramètres du congélateur

- Appuyez sur le bouton du congélateur pour modifier la température du congélateur.
- Les réglages du compartiment congélateur peuvent être ajustés de manière cyclique entre -14°C et -24°C.
- La température réglée pour le compartiment congélateur s'affiche sur le deuxième écran du panneau de commande.

Mode intelligent

- Appuyez sur le bouton Smart pendant trois secondes pour entrer ou sortir du mode intelligent.
- Ce mode règle automatiquement les températures du compartiment congélateur à -18°C et du compartiment réfrigérateur à 5°C.

Mode vacances

- Appuyez sur le bouton Vacances pendant trois secondes pour passer en mode vacances.
- En entrant dans le mode vacances, l'icône de la touche vacances s'allume et le premier écran du panneau de commande affiche « --- ».
- Vous pouvez régler le mode vacances lorsque vous n'avez pas besoin d'utiliser le réfrigérateur pendant une longue période, vous permettant ainsi d'économiser de l'électricité.
- Lorsque le réfrigérateur est en mode vacances, le compartiment réfrigérateur est réglé à 15 °C. Lorsque vous sélectionnez cette option, vous devez retirer les aliments du réfrigérateur, sinon ils risquent de se gâter.
- Pour sortir du mode vacances, modifiez la température du compartiment réfrigérateur, en mode refroidissement rapide ou appuyez sur la touche Vacances.
- Lorsque vous quittez le mode vacances, le compartiment congélateur fonctionnera normalement en fonction de la température réglée dans le compartiment congélateur.

Mode de refroidissement rapide

- Appuyez sur le bouton du congélateur ou du réfrigérateur pendant 3 secondes pour entrer ou sortir du mode de refroidissement rapide.

Blocage

1. Le panneau de commande reste verrouillé en permanence pour éviter toute utilisation involontaire.
2. Pour désactiver la fonction de verrouillage et activer le panneau, appuyez sur le bouton pendant 3 secondes.
3. Si le panneau a été déverrouillé, il se reverrouille automatiquement 1 minute après la fermeture de la porte du compartiment réfrigérateur.

SOINS ET CONSEILS

ÉCONOMIE D'ÉNERGIE

- Attendez que les aliments et les boissons chauds refroidissent avant de les placer au réfrigérateur.
- Ne surchargez pas le réfrigérateur car cela obligerait le compresseur à fonctionner plus longtemps.
- Emballez bien les aliments, nettoyez et séchez les récipients avant de les mettre au réfrigérateur pour éviter la formation de givre.
- Ne recouvrez aucun compartiment du réfrigérateur avec du papier d'aluminium, du papier sulfurisé ou des serviettes en papier. Toute doublure interfère avec la circulation, réduisant ainsi l'efficacité.
- Conservez les aliments de manière à ce que l'air puisse circuler autour d'eux.
- Ne laissez pas la porte du réfrigérateur ouverte plus longtemps que nécessaire.
- Assurez-vous que les aliments ne touchent pas l'arrière des compartiments.
- Ne réglez pas le thermostat à une température extrêmement basse.

DÉPLACEZ LE RÉFRIGÉRATEUR

1. Débranchez le réfrigérateur et retirez tous les aliments de l'intérieur.
2. Fermez et collez les portes et le cordon d'alimentation à l'arrière du réfrigérateur. Retirez toutes les pièces amovibles, enveloppez-les bien et scotchez-les pour qu'elles ne bougent pas pendant le déménagement.
3. Selon le modèle, soulevez la façade du réfrigérateur pour qu'il roule plus facilement ou vissez les pieds réglables pour qu'ils ne rayent pas le sol.

PRUDENT! Ne soulevez jamais le réfrigérateur par la porte.

4. Protégez l'extérieur du produit avec une couverture ou un article doux et rembourré et assurez-vous que le réfrigérateur reste sécurisé et droit pendant le transport.

CHANGEMENT D'UNITÉS

Pour alterner entre Celsius (°C) et Fahrenheit (°F), appuyez simultanément sur les touches Smart et Holiday pendant 3 secondes.

NETTOYAGE

Débranchez l'appareil de la prise électrique avant de le nettoyer.

Nettoyage intérieur.

- Ne versez pas d'eau sur l'appareil.
- Nettoyer régulièrement la cavité à l'aide d'une solution à base de bicarbonate de soude et d'eau tiède (5 ml/0,5 l d'eau).
- Nettoyer les accessoires séparément avec de l'eau et du savon. Ne les mettez pas au lave-vaisselle.
- Ne pas utiliser de produits abrasifs, de détergents ou de savons.
- Après avoir nettoyé les accessoires, rincez-les à l'eau claire et séchez-les soigneusement.
- Lorsque vous avez fini de nettoyer tout le réfrigérateur, rebranchez la fiche sur le secteur avec les mains sèches.

Nettoyage extérieur.

- Nettoyez l'extérieur avec de l'eau tiède savonneuse. Ne pas utiliser de produits abrasifs.
- Il y a des éléments pointus sur les parties inférieures du produit, soyez prudent lors du nettoyage.
- Une à deux fois par an, dépoussiérez l'arrière du réfrigérateur et le compresseur situé à l'arrière à l'aide d'une brosse ou d'un aspirateur. Une accumulation de poussière peut affecter négativement les performances de l'appareil et entraîner une augmentation de la consommation d'énergie.

AVERTISSEMENT!

- Ne nettoyez jamais l'appareil avec des produits de nettoyage acides, abrasifs, huileux, à base de solvants, des éponges abrasives ou des tampons à récurer. N'utilisez jamais de liquides ou de sprays inflammables pour le nettoyage car les gaz émis par ces substances peuvent provoquer un risque d'incendie ou d'explosion.
- Ne nettoyez jamais l'appareil avec un nettoyeur vapeur. De l'humidité pourrait s'accumuler sur les composants électriques et provoquer un risque de choc électrique ! Les vapeurs chaudes peuvent endommager les pièces en plastique.
- L'appareil doit être complètement sec avant de le remettre en service.
- Les huiles essentielles et les solvants organiques peuvent attaquer les pièces en plastique (comme le jus de citron ou le jus du zeste d'une orange) ou les nettoyants contenant de l'acide acétique. Ne laissez pas ces substances entrer en contact avec une quelconque partie de l'appareil.

STOCKAGE ALIMENTAIRE

- Avant de conserver des aliments dans votre réfrigérateur, assurez-vous que vos aliments, en particulier les aliments contenant de l'eau, sont placés dans des sacs ou des récipients en plastique correctement emballés et bien fermés pour éviter les odeurs inattendues ou la sécheresse.
- Les aliments chauds ou tièdes doivent être placés au réfrigérateur après refroidissement pour économiser de l'énergie.
- Laissez un espace suffisant entre les aliments pour une meilleure ventilation de l'air dans le réfrigérateur.
- Il est préférable de conserver les aliments en morceaux plutôt qu'en morceaux entiers.
- Rangez les fruits et légumes ainsi que les boissons en bouteille après le nettoyage.
- Conservez les fruits et légumes dans le bac à légumes pour qu'ils soient frais.
- Conservez les aliments frais et chauds à température ambiante, loin des produits déjà congelés.
- Pour congeler des produits, utilisez l'espace marqué : ❄ ❄ ❄ ❄
- La durée de conservation des produits surgelés dépend de leur qualité avant congélation à l'état frais et de la température de conservation. Les périodes de stockage suivantes sont recommandées lorsque la température est maintenue à -18 °C ou moins :

Produits	Mois
Bœuf	6-8
Veau	3-6
Abats	1-2

Produits	Mois
Cochon	3-6
Volaille	6-8
Poisson	3-6

ÉLIMINATION DU PRODUIT

Assurez-vous que toutes les fermetures sont inutilisables, retirez la ou les portes et jetez-les séparément.

Avertissement sur les risques chimiques : Ne laissez pas les enfants jouer avec de vieux appareils électroménagers.

Rapprochez-vous de votre commune compétente pour connaître la procédure de mise au rebut.

- Avant de jeter un vieil appareil, assurez-vous qu'il est éteint et sécurisé. Débranchez l'appareil et brisez les verrous pour éviter que les enfants ne soient coincés.
- Remarque : Le système de refroidissement contient du gaz et des réfrigérants qui nécessitent une gestion spécialisée des déchets.
- Vous pouvez contribuer à la sensibilisation à l'environnement en insistant sur des méthodes d'élimination appropriées et non polluantes.
- Ne laissez pas les animaux domestiques et les enfants jouer avec l'emballage et jetez les sacs en plastique en toute sécurité.
- Vous pouvez déchirer le carton ou le couper en petits morceaux et le recycler. Les emballages sont en polyéthylène. Le rembourrage et le remplissage en polyéthylène ne contiennent pas d'hydrocarbures fluorés et sont donc adaptés au recyclage.

AVERTISSEMENT! Pour éviter que les enfants ne soient enfermés à l'intérieur lorsqu'ils jouent, si cet appareil est utilisé en remplacement d'un autre doté d'un verrou :

- Cassez ou retirez la fermeture par mesure de sécurité avant de la ranger.
- Retirez les portes.
- Laissez les étagères en place afin que les enfants ne puissent pas y grimper facilement.
- Coupez le câble de connexion le plus près possible de l'appareil.
- Si cet appareil, doté d'un joint de porte magnétique, doit remplacer un ancien appareil doté d'un loquet à ressort sur la porte ou le couvercle, veuillez rendre le loquet à ressort inutilisable avant de jeter l'ancien appareil. Cela réduira le risque que des enfants ou des animaux restent coincés à l'intérieur.

RÉSOLUTION DES PROBLÈMES

PROBLÈME	CAUSE/SOLUTION
Le réfrigérateur ne fonctionne pas	Ce n'est pas allumé. Branchez-le sur une prise mise à la terre.
	Il n'y a pas de courant. Vérifiez que la fiche n'est pas défectueuse.
	Le fusible a grillé/le disjoncteur s'est déclenché. Contactez votre représentant de service.
	Assurez-vous que la tension est correcte pour cet appareil.
La température à l'intérieur de l'appareil n'est pas assez froide.	Il y a beaucoup de plats chauds récemment ajoutés à l'intérieur. Attendez plusieurs heures pour qu'il revienne à température normale.
	Les commandes ne sont pas réglées correctement pour les conditions environnantes.
	Vérifiez que l'appareil n'est pas exposé à la lumière directe du soleil ou trop proche d'une source de chaleur.
	Vérifiez que la température ambiante se situe dans les limites de fonctionnement de l'appareil.
	Les portes de l'appareil sont ouvertes fréquemment. Une fois la porte ouverte, l'humidité présente dans l'air ambiant pénètre dans l'appareil, surtout si le taux d'humidité dans la pièce est très élevé.
	Plus la porte est ouverte dans des conditions humides, plus le risque d'accumulation d'humidité est grand.
	La porte n'est pas fermée.
	Le joint en caoutchouc n'est pas correctement scellé.
Le réfrigérateur n'a pas assez d'espace pour aérer par l'arrière et les côtés.	
La température à l'intérieur du réfrigérateur est trop basse.	Augmentez la température en réglant le thermostat à un réglage plus bas. La puissance la plus élevée ne doit être utilisée que comme mode de refroidissement rapide et ne doit être réglée que pendant deux heures avant de stocker une grande quantité d'aliments. Si vous ne le faites pas, la température pourrait descendre en dessous de 0°C puisque le compresseur fonctionnerait en continu.
Condensation à l'intérieur/à l'extérieur des parois du réfrigérateur.	Les climats chauds et humides augmentent la formation de givre à l'intérieur. C'est normal.
Mal odeur.	Vérifiez que les aliments et les boissons que vous avez dans le réfrigérateur ne sont pas périmés et sont correctement emballés. Si ce n'est pas le cas, jetez-le ou conservez-le bien.
	Assurez-vous que rien n'a été renversé. Tout déversement laissé sans surveillance et non nettoyé peut provoquer des odeurs indésirables.
Les portes ne ferment pas correctement.	Assurez-vous qu'aucun objet n'empêche la porte de se fermer.
	Vérifiez que les étagères et les compartiments sont bien en place.
	Vérifiez que le joint de la porte n'est pas déformé ou déchiré.
	Assurez-vous que l'appareil est de niveau.
La porte ne s'ouvrira pas.	Si vous venez d'ouvrir la porte, attendez quelques minutes que la pression de l'air s'égalise avant de réessayer.

PROBLÈME	CAUSE/SOLUTION
Des bruits étranges.	Vérifiez que l'appareil se trouve sur une surface plane, de niveau et stable.
	Regardez autour du réfrigérateur et assurez-vous de ne pas toucher d'autres objets.
	Gargouillis et bouillonnements : produits par le passage du liquide de refroidissement dans les canalisations du système. Ce bruit est normal.
	Bruit de l'eau qui coule : C'est normal, c'est de l'eau qui s'écoule dans les égouts pendant le processus de dégivrage.
	Si l'appareil fonctionne bruyamment (bruit du compresseur) : C'est normal. Indique que le compresseur fonctionne normalement. Lors de la mise sous tension du compresseur, il peut émettre du bruit pendant une courte période.
	La contraction et l'expansion de l'intérieur des murs peuvent provoquer des claquements et des clics.
Le compresseur tourne tout le temps.	La température est réglée trop basse, sélectionnez une température plus élevée.
	La porte est ouverte ou quelque chose bloque la fermeture.
	Les joints en caoutchouc sont usés, sales ou endommagés.
	Une grande quantité de nourriture a été ajoutée au réfrigérateur.
	La température ambiante est supérieure à la normale.
Surface l'extérieur du réfrigérateur est chaud.	Les murs extérieurs peuvent être plus chauds que la température ambiante. Il est normal que le compresseur fonctionne pour extraire la chaleur de l'intérieur du réfrigérateur.



Conformément aux directives: 2012/19 / UE et 2015/863 / UE sur la limitation de l'utilisation de substances dangereuses dans les équipements électriques et électroniques, ainsi que leur élimination des déchets. Le symbole avec la poubelle croisée indiqué sur l'emballage indique que le produit à la fin de sa durée de vie sera collecté en tant que déchet séparé. Par conséquent, tout produit ayant atteint la fin de sa durée de vie doit être livré dans des centres d'élimination des déchets spécialisés pour la collecte sélective des déchets d'équipements électriques et électroniques, ou retourné au détaillant lors de l'achat de nouveaux équipements similaires, en un seul pour une base. Une collecte séparée appropriée pour la mise en service ultérieure des équipements expédiés pour être recyclés, traités et éliminés d'une manière respectueuse de l'environnement aide à prévenir les effets négatifs potentiels sur l'environnement et la santé et optimise le recyclage et la réutilisation des les composants qui composent l'appareil. L'élimination abusive du produit par l'utilisateur implique l'application de sanctions administratives conformément aux lois.

Grazie per aver scelto il nostro frigorifero. Prima di utilizzare questo apparecchio e per garantirne il miglior utilizzo, leggere attentamente le istruzioni fondamentali di sicurezza.

Le misure di sicurezza qui elencate riducono il rischio di incendio, scosse elettriche e lesioni se seguite correttamente. Si prega di conservare il manuale in un luogo sicuro per riferimento futuro, così come la ricevuta di vendita e la scatola. Se applicabile, consegnare queste istruzioni al futuro proprietario dell'apparecchio. Seguire sempre le istruzioni di sicurezza di base e le misure di prevenzione dei rischi quando si utilizza un apparecchio elettrico. Il produttore non sarà responsabile per eventuali danni derivanti dalla mancata osservanza di queste istruzioni da parte dell'utente.

ISTRUZIONI DI SICUREZZA

Prima di utilizzare qualsiasi apparecchio elettrico, leggere attentamente le seguenti precauzioni di sicurezza fondamentali.

- Questo apparecchio è destinato all'uso in ambienti domestici o simili, ad esempio: aree cucina per il personale in negozi, uffici e altri ambienti di lavoro, cottage e da parte dei clienti in hotel, motel e altri ambienti di tipo residenziale, tipo bed and breakfast, ristorazione e simili applicazioni non al dettaglio.
- Questo apparecchio può essere utilizzato da bambini di età pari o superiore a 8 anni e da persone con ridotte capacità fisiche, sensoriali o mentali o con mancanza di esperienza e conoscenza se hanno ricevuto supervisione o istruzioni relative all'uso dell'apparecchio in modo sicuro e comprendono i pericoli connessi.
- I bambini non devono giocare con il dispositivo. La pulizia e la manutenzione dell'apparecchio non devono essere effettuate da bambini senza supervisione.
- Se il cavo di alimentazione è danneggiato, deve essere sostituito dal produttore, dal suo agente di assistenza o da persone similmente qualificate per evitare pericoli.
- Mantenere le aperture di ventilazione libere da ostruzioni.
- Non utilizzare dispositivi meccanici o altri mezzi per accelerare il processo di sbrinamento diversi da quelli consigliati dal produttore.
- Non utilizzare apparecchi elettrici all'interno degli scomparti per la conservazione degli alimenti dell'apparecchio a meno che non siano del tipo consigliato dal produttore.
- Per gli apparecchi che utilizzano gas isolanti incombustibili, solo il tecnico dell'assistenza o personale altrettanto qualificato può rimuovere i gas isolanti incombustibili contenuti nell'apparecchio.
- Non conservare sostanze esplosive come bombolette spray con propellente infiammabile in questo apparecchio.
- Per evitare pericoli dovuti all'instabilità dell'apparecchio, è necessario fissarlo secondo le indicazioni riportate nelle istruzioni.

- Questo apparecchio di refrigerazione non è progettato per essere incassato.
- Assicurarsi che l'alimentatore soddisfi i requisiti indicati sull'etichetta informativa del prodotto.
- Utilizzare una presa di corrente separata, di almeno 10 A e dotata di un dispositivo di messa a terra. Non utilizzare mai un trasformatore o una presa di prolunga per l'alimentazione elettrica.
- In tutti i casi, la presa deve essere collegata a una linea di terra. Non modificare mai la linea di alimentazione e/o la spina.
- La spina della linea di alimentazione deve essere mantenuta saldamente a contatto con la presa, altrimenti potrebbe causare incendi.
- Una volta installato il frigorifero, la spina deve essere facilmente accessibile per facilitarne la rimozione in caso di incidente.
- Non scollegare mai il frigorifero trascinando il cavo di alimentazione. Per rimuovere la spina, tenerla ed estrarla dalla presa.
- Evitare di schiacciare il cavo di alimentazione con il corpo del frigorifero o di calpestarlo.
- Fare molta attenzione quando si maneggia il frigorifero. Non avvolgere mai il cavo dell'apparecchio.
- Se la linea di alimentazione è danneggiata o la spina è usurata, non utilizzare il prodotto. In tal caso, la sostituzione della linea o della spina di alimentazione deve essere effettuata presso l'officina designata dal produttore o da un professionista competente.
- In caso di perdita di gas, chiudere la valvola che perde e quindi aprire le porte e le finestre per ventilare. Non inserire o rimuovere mai la presa di corrente dal frigorifero.
- Non conservare o utilizzare mai benzina o altre sostanze infiammabili nelle immediate vicinanze del frigorifero per evitare incendi.
- Non posizionare mai sostanze infiammabili ed esplosive, acidi o alcali altamente corrosivi, ecc. nel frigo.
- Evitare danni al circuito di refrigerazione.
- Evitare che i bambini giochino con il prodotto perché potrebbero rimanere intrappolati al suo interno.
- Impedire ai bambini di aggrapparsi al corpo della porta per evitare lesioni dovute all'inclinazione del corpo della porta o alla rotazione del frigorifero.
- Impedire ai bambini di infilare mani o piedi nei vari tipi di fori perforati e bordi laterali del vano meccanico, della piastra posteriore o di altre parti protettive metalliche del frigorifero per evitare lesioni.
- Non spruzzare o risciacquare mai il frigorifero con acqua, né posizionare il frigorifero in un'area esposta a umidità o spruzzi d'acqua, tanto meno riempire il frigorifero con acqua, per evitare di compromettere l'isolamento elettrico del frigorifero. Inoltre, la mancata osservanza di questi requisiti potrebbe causare scosse elettriche, incendi o altri incidenti.
- Dopo aver utilizzato il frigorifero, non toccarne mai la superficie interna, soprattutto se si hanno le mani bagnate, altrimenti la pelle potrebbe attaccarsi alla superficie interna e causare lesioni.

- Non rimuovere o modificare mai il frigorifero senza autorizzazione, potrebbe causare danni al circuito frigorifero. La riparazione del frigorifero deve essere eseguita da un professionista competente.
- Non conservare alimenti liquidi in bottiglia nella camera del congelatore.
- Non mettere in bocca prodotti congelati prelevati direttamente dal congelatore (ghiaccioli, cubetti di ghiaccio, ecc.), poiché la loro bassa temperatura può provocare gravi ustioni. Lasciarli riposare per qualche minuto.
- Tenere il frigorifero lontano da fonti di ignizione per evitare incidenti.
- Solo il personale dell'assistenza tecnica può effettuare la manutenzione del frigorifero e la partecipazione non professionale può essere pericolosa per gli utenti.
- Quando si posiziona l'apparecchio, assicurarsi che il cavo di alimentazione non sia schiacciato o danneggiato.
- Non posizionare più prese di corrente portatili o alimentatori portatili sul retro dell'apparecchio.
- Quando si smaltisce l'apparecchio, farlo solo presso un centro di smaltimento rifiuti autorizzato. Consegnare il frigorifero al luogo di smaltimento designato.
- Non esporre il frigorifero alle fiamme.
- Per evitare la contaminazione degli alimenti, seguire le seguenti istruzioni:
 - L'apertura prolungata della porta può causare un notevole aumento della temperatura nei vani dell'apparecchiatura.
 - Pulire periodicamente le superfici che potrebbero entrare in contatto con gli alimenti e i sistemi di drenaggio accessibili.
 - Conservare la carne e il pesce crudi in appositi contenitori nel frigorifero, in modo che non vengano a contatto a gocciolino su altri alimenti.
 - Gli scomparti per alimenti surgelati a due stelle sono adatti per conservare alimenti precongelati e produrre cubetti di ghiaccio.
 - Gli scomparti a una, due e tre stelle non sono adatti al congelamento di alimenti freschi.
- Se l'apparecchio di refrigerazione viene lasciato vuoto per lunghi periodi, spegnere il frigorifero, sbrinare, pulire, asciugare e lasciare la porta aperta per evitare la formazione di muffe all'interno dell'apparecchio.

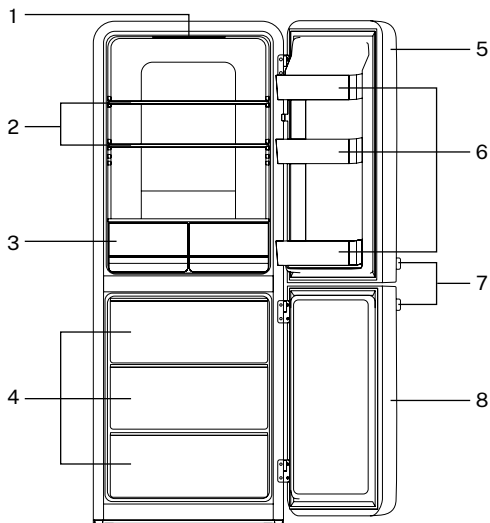


Refrigerante

- Nel circuito frigorifero dell'apparecchio si trova il refrigerante isobutano (R600a), un gas naturale con un elevato livello di compatibilità ambientale, ma che è comunque infiammabile. Durante il trasporto e l'installazione dell'apparecchio, assicurarsi che nessuno dei componenti del circuito di refrigerazione venga danneggiato.
- Il refrigerante (R600a) è infiammabile.
- Se il circuito frigorifero è danneggiato:
 - Evitare fiamme libere e fonti di accensione.
 - Ventilare bene la stanza in cui si trova l'apparecchio.

ELENCO DELLE PARTI

1. Luce a led
2. Ripiani in vetro
3. Cassetti
4. Cassetti del congelatore
5. Porta del frigorifero
6. Ripiani delle porte
7. Maniglie
8. Porta del congelatore



FACILITÀ

Prima di installare il vostro nuovo frigorifero, leggete attentamente il manuale e seguite queste istruzioni:

1. Posizionare il frigorifero su un pavimento stabile e piano in modo che faccia meno rumore. Assicurarsi che il pavimento sia sufficientemente robusto da sostenerne il peso quando è completamente pieno.
2. Se intendi posizionare il frigorifero su un tappeto, posiziona una tavola di legno tra il tappeto e il frigorifero. Si tenga presente che il posizionamento del frigorifero su un tappeto potrebbe causare lo scolorimento del tappeto a causa del calore emesso dal compressore.
3. Questo apparecchio è progettato per stare in piedi da solo e non per essere incassato o montato su un supporto.
4. Non inclinare il frigorifero più di 45° durante lo spostamento.
5. Evitare aree in cui l'apparecchio sarebbe esposto alla luce solare, fonti di calore (stufa, stufa, radiatore, ecc.), temperature ambiente estremamente basse o elevata umidità. Installandolo nella zona più fresca della stanza risparmierai energia.

Maneggiare con cura! Non applicare forza su parti come il condensatore o gli sportelli. Le guide metalliche sotto il frigorifero potrebbero avere bordi taglienti, quindi disimballarlo sempre con attenzione. Non trascinare il frigorifero, rimetterlo con cura al suo posto in modo che non graffi il pavimento.

REQUISITI DI SPAZIO

- Installare il frigorifero in modo da avere spazio sufficiente per aprire la porta.
- Lasciare uno spazio minimo di 100 mm sul retro del frigorifero per garantire che l'aria possa circolare liberamente e consentire il raffreddamento del compressore e del condensatore. Lasciare inoltre almeno 50 mm di spazio nella parte superiore del frigorifero e 50 mm su ciascun lato.

LIVELLAMENTO

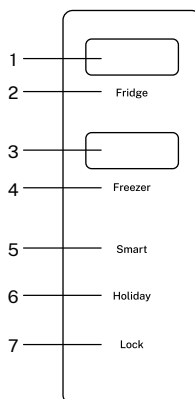
- Per poter funzionare correttamente, l'apparecchio deve essere in piano. Se non adeguatamente livellati, le porte e l'allineamento della guarnizione magnetica non saranno coperti adeguatamente.
- Per livellare il frigorifero, regolare uno o entrambi i piedini di livellamento sulla base.

PRIMA DEL PRIMO UTILIZZO

1. Pulisci il frigorifero. Non pulire il corpo del frigorifero direttamente con acqua, né utilizzare benzina o altri prodotti solventi per la pulizia.
2. Assicurarsi che il frigorifero sia livellato correttamente.
3. Dopo aver livellato e pulito il frigorifero, non accenderlo immediatamente. Tenere il frigorifero spento per almeno 24 ore per garantire il normale funzionamento.
4. Chiudere le porte del frigorifero e inserire il cavo di alimentazione. Prima di collegare il frigorifero, verificare che la presa di corrente disponga di un corretto collegamento a terra.
5. Se il cavo di alimentazione è danneggiato, deve essere sostituito da un professionista del produttore, dal suo reparto riparazioni o da un reparto simile per evitare qualsiasi pericolo.
6. Una volta inserita l'alimentazione, il frigorifero inizierà a funzionare. Se il frigorifero non funziona per un lungo periodo di tempo, controllare se la presa di corrente e il circuito elettrico funzionano normalmente. Se viene rilevato un improvviso calo della temperatura mezz'ora dopo l'apertura della porta del frigorifero, il frigorifero funziona normalmente.
7. Dopo 3 o 4 ore, regolare la temperatura e poi riempire il cibo secondo le istruzioni. È normale che il compressore funzioni più a lungo durante il collegamento iniziale e poi funzioni in modo intermittente.
8. In generale, non fermare il frigorifero, per non influenzarne la normale durata. Dopo aver staccato la spina dalla linea elettrica, attendere almeno 5 minuti prima di ricollegarla, per garantire il normale funzionamento del frigorifero.
9. Non spegnere l'alimentazione del frigorifero quando non è necessario, in quanto l'interruzione dell'alimentazione potrebbe provocare un aumento della temperatura all'interno del frigorifero, accorciando così il periodo di conservazione degli alimenti.
10. Mantenere un po' di spazio tra i contenitori degli alimenti per facilitare la circolazione dell'aria fresca.

PANNELLO DI CONTROLLO

1. Esposizione del frigorifero
2. Pulsante frigorifero e raffreddamento rapido
3. Schermo del congelatore
4. Pulsante del congelatore
5. Pulsante della modalità intelligente
6. Pulsante modalità vacanza
7. Pulsante di blocco



Impostazioni del frigorifero

- Premere il pulsante del frigorifero per modificare la temperatura del frigorifero.
- Le impostazioni del vano frigorifero possono essere regolate ciclicamente tra 8°C e 2°C.
- La temperatura impostata del vano frigorifero è visualizzata sul primo display del pannello di controllo.

Impostazioni del congelatore

- Premere il pulsante del congelatore per modificare la temperatura del congelatore.
- Le impostazioni del vano congelatore possono essere regolate ciclicamente tra -14°C e -24°C.
- La temperatura impostata per il vano congelatore viene visualizzata sul secondo display del pannello di controllo.

Modalità intelligente

- Premere il pulsante Smart per tre secondi per accedere o uscire dalla modalità Smart.
- Questa modalità imposta automaticamente la temperatura del vano congelatore a -18°C e quella del vano frigorifero a 5°C.

Modalità vacanza

- Premere il pulsante Vacanze per tre secondi per accedere alla modalità vacanza.
- Quando si entra in modalità vacanze, l'icona del pulsante vacanze si accende e la prima schermata del pannello di controllo visualizza "----".
- È possibile impostare la modalità vacanza quando non è necessario utilizzare il frigorifero per un lungo periodo di tempo, in questo modo si risparmia energia elettrica.
- Quando il frigorifero è in modalità vacanza, il vano frigorifero è impostato su 15°C, quando si imposta questa opzione è necessario rimuovere il cibo dal frigorifero, altrimenti potrebbe deteriorarsi.
- Per uscire dalla modalità vacanze, modificare la temperatura del vano frigorifero, in modalità raffreddamento rapido oppure premere il pulsante Vacanze.
- Quando si esce dalla modalità vacanza, lo scomparto congelatore funzionerà normalmente in base alla temperatura impostata dello scomparto congelatore.

Modalità di raffreddamento rapido

- Premere il pulsante del congelatore o il pulsante del frigorifero per 3 secondi per accedere o uscire dalla modalità di raffreddamento rapido.

Blocco

1. Il pannello di controllo rimane sempre bloccato per evitare un uso involontario.
2. Per disattivare la funzione di blocco e attivare il pannello, tenere premuto il pulsante per 3 secondi.
3. Se il pannello è stato sbloccato, si bloccherà automaticamente un minuto dopo la chiusura della porta del vano frigorifero.

CURA E CONSIGLI

RISPARMIO ENERGETICO

- Attendere che i cibi e le bevande calde si raffreddino prima di riporli nel frigorifero.
- Non sovraccaricare il frigorifero poiché ciò costringerebbe il compressore a funzionare più a lungo.
- Avvolgere bene gli alimenti, pulire e asciugare i contenitori prima di riporli in frigorifero per evitare la formazione di brina.
- Non rivestire lo scomparto del frigorifero con fogli di alluminio, carta oleata o tovaglioli di carta. Qualsiasi rivestimento interferisce con la circolazione, riducendo l'efficienza.
- Conservare gli alimenti in modo tale che l'aria possa circolare attorno ad essi.
- Non lasciare la porta del frigorifero aperta più a lungo del necessario.
- Assicurarsi che il cibo non tocchi il retro degli scomparti.
- Non impostare il termostato su una temperatura estremamente bassa.

SPOSTARE IL FRIGORIFERO

1. Scollegare il frigorifero e rimuovere tutti gli alimenti dall'interno.
2. Chiudere e fissare con nastro adesivo le porte e il cavo di alimentazione sul retro del frigorifero. Estrai tutte le parti rimovibili, avvolgile bene e fissale con nastro adesivo in modo che non si muovano durante lo spostamento.
3. A seconda del modello, sollevare la parte anteriore del frigorifero per facilitarne lo spostamento oppure avvitare i piedini livellatori per non graffiare il pavimento.

ATTENTO! Non sollevare mai il frigorifero dalla porta.

4. Proteggere l'esterno del prodotto con una coperta o un oggetto morbido e imbottito e assicurarsi che il frigorifero rimanga sicuro e in posizione verticale durante il trasporto.

CAMBIO DI UNITÀ

Per passare da Celsius (°C) a Fahrenheit (°F), tenere premuti contemporaneamente i tasti Smart e Holiday per 3 secondi.

PULIZIA

Scollegare l'apparecchio dalla presa elettrica prima di pulirlo.

Pulizia interna.

- Non versare acqua sull'apparecchio.
- Pulire regolarmente la cavità utilizzando una soluzione a base di bicarbonato di sodio e acqua calda (5 ml/0,5 l di acqua).
- Pulire gli accessori separatamente con acqua e sapone. Non metterli in lavastoviglie.
- Non utilizzare prodotti abrasivi, detergenti o saponi.
- Dopo aver pulito gli accessori, sciacquarli con acqua pulita e asciugarli accuratamente.
- Una volta terminata la pulizia dell'intero frigorifero, ricollegare la spina alla presa di corrente con le mani asciutte.

Pulizia esterna.

- Pulisci l'esterno con acqua tiepida e sapone. Non utilizzare prodotti abrasivi.
- Sono presenti elementi taglienti sulle parti inferiori del prodotto, prestare attenzione durante la pulizia.
- Una o due volte all'anno, rimuovere la polvere dal retro del frigorifero e dal compressore sul retro con una spazzola o un aspirapolvere. Un accumulo di polvere può influenzare negativamente le prestazioni dell'apparecchio e causare un aumento del consumo energetico.

AVVERTIMENTO!

- Non pulire mai l'apparecchio con prodotti detergenti acidi, abrasivi, oleosi, a base di solventi, spugne abrasive o pagliette. Non utilizzare mai liquidi o spray infiammabili per la pulizia poiché i gas emessi da queste sostanze possono causare rischio di incendio o esplosione.
- Non pulire mai l'apparecchio con una pulitrice a vapore. L'umidità potrebbe accumularsi sui componenti elettrici e causare il rischio di scosse elettriche! I vapori caldi possono danneggiare le parti in plastica.
- L'apparecchio deve essere completamente asciutto prima di rimetterlo in funzione.
- Oli essenziali e solventi organici possono attaccare le parti in plastica (come il succo di limone o il succo della buccia di un'arancia) o i detergenti contenenti acido acetico. Non permettere che queste sostanze entrino in contatto con nessuna parte dell'apparecchio.

DISPENSA

- Prima di riporre gli alimenti nel frigorifero, assicurarsi che gli alimenti, in particolare quelli contenenti acqua, siano collocati in sacchetti o contenitori di plastica adeguatamente avvolti e con un'adeguata chiusura per evitare odori imprevisti o secchezza.
- Gli alimenti caldi o tiepidi devono essere riposti nel frigorifero dopo il raffreddamento per risparmiare energia.
- Lasciare uno spazio adeguato tra gli alimenti per una migliore ventilazione dell'aria nel frigorifero.
- È meglio conservare gli alimenti a pezzi piuttosto che a pezzi interi.
- Metti via frutta, verdura e bevande in bottiglia dopo la pulizia.
- Conserva frutta e verdura nel cassetto frutta e verdura in modo che siano fresche.
- Conservare gli alimenti freschi e caldi a temperatura ambiente, lontano da prodotti già congelati.
- Per congelare i prodotti utilizzare lo spazio contrassegnato: ❄️❄️❄️
- Il tempo di conservazione dei prodotti surgelati dipende dalla loro qualità prima del congelamento quando freschi e dalla temperatura di conservazione. Si consigliano i seguenti periodi di conservazione quando la temperatura viene mantenuta a -18°C o inferiore:

Prodotti	Mesi
Manzo	6-8
Vitello	3-6
Frattaglie	1-2

Prodotti	Mesi
Maiale	3-6
Pollame	6-8
Pescare	3-6

SMALTIMENTO DEL PRODOTTO

Assicurarsi che tutte le chiusure siano inutilizzabili, rimuovere la/e porta/e e smaltirle separatamente.

Avvertenza sui rischi chimici: Non lasciare che i bambini giochino con i vecchi elettrodomestici. Rivolgiti al tuo Comune corrispondente per conoscere la procedura di rottamazione.

- Prima di smaltire un vecchio apparecchio, assicurarsi che sia spento e sicuro. Scollegare l'apparecchio e rompere eventuali serrature per evitare che i bambini rimangano intrappolati.
- Nota: il sistema di raffreddamento contiene gas e refrigeranti che richiedono una gestione specializzata dei rifiuti.
- Puoi contribuire alla consapevolezza ambientale insistendo su metodi di smaltimento adeguati e non inquinanti.
- Non permettere agli animali domestici e ai bambini di giocare con l'imballaggio e smaltire i sacchetti di plastica in modo sicuro.
- Puoi strappare il cartone o tagliarlo in pezzi più piccoli e riciclarlo. Gli involucri sono realizzati in polietilene. Le imbottiture e imbottiture in polietilene non contengono idrocarburi fluorurati e come tali sono idonei al riciclo.

AVVERTIMENTO! Per evitare che i bambini restino chiusi all'interno mentre giocano, se questo apparecchio viene utilizzato in sostituzione di un altro dotato di serratura:

- Rompere o rimuovere la chiusura come precauzione di sicurezza prima di riparla.
- Rimuovere le porte.
- Lasciare gli scaffali in posizione in modo che i bambini non possano salirvi facilmente.
- Tagliare il cavo di collegamento il più vicino possibile all'apparecchio.
- Se questo elettrodomestico, con guarnizione magnetica della porta, deve sostituire un vecchio elettrodomestico dotato di chiusura a molla sulla porta o sul coperchio, rendere inutilizzabile la chiusura a molla prima di smaltire il vecchio apparecchio. Ciò ridurrà il rischio che bambini o animali rimangano intrappolati all'interno.

RISOLUZIONE DEL PROBLEMA

PROBLEMA	CAUSA/SOLUZIONE
Il frigorifero non funziona	Non è attivo. Collegarlo a una presa con messa a terra.
	Non c'è corrente. Controllare che la spina non sia difettosa.
	Il fusibile è bruciato/l'interruttore automatico è scattato. Rivolgersi al rappresentante dell'assistenza.
	Assicurarsi che la tensione sia corretta per questo apparecchio.
La temperatura all'interno dell'apparecchio non è sufficientemente fredda.	C'è molto cibo caldo recentemente aggiunto all'interno. Attendere diverse ore affinché ritorni alla temperatura normale.
	I controlli non sono impostati correttamente per le condizioni circostanti.
	Verificare che l'apparecchio non sia esposto alla luce solare diretta o troppo vicino a una fonte di calore.
	Verificare che la temperatura ambiente rientri nei limiti di funzionamento dell'apparecchio.
	Le porte dell'apparecchiatura vengono aperte frequentemente. Una volta aperta la porta, l'umidità presente nell'aria ambiente entra nell'apparecchio, soprattutto se il livello di umidità nella stanza è molto elevato. Quanto più si apre la porta in condizioni di umidità, tanto maggiore è la possibilità che si accumuli umidità.
	La porta non è chiusa.
	La guarnizione in gomma non è sigillata correttamente.
La temperatura all'interno del frigorifero è troppo basso.	Il frigorifero non dispone di spazio sufficiente per la ventilazione dal retro e dai lati.
	Aumentare la temperatura regolando il termostato su un valore più basso. La potenza massima deve essere utilizzata solo come modalità di raffreddamento rapido e deve essere impostata solo per due ore prima di conservare una grande quantità di cibo. Se non si fa ciò, la temperatura potrebbe scendere sotto 0°C poiché il compressore funzionerebbe continuamente.
Condensa sulle pareti interne/esterne del frigorifero.	I climi caldi e umidi aumentano la formazione di brina negli ambienti chiusi. È normale.
Cattivo odore.	Controlla che gli alimenti e le bevande che hai nel frigorifero non siano scaduti e siano adeguatamente confezionati. Se non lo è, buttalo via o conservatelo bene.
	Assicurarsi che non sia stato versato nulla. Qualsiasi fuoriuscita lasciata incustodita e non ripulita può causare odori indesiderati.
Le porte non si chiudono bene.	Assicurarsi che non vi siano oggetti che impediscano la chiusura della porta.
	Controllare che sia i ripiani che gli scomparti siano saldamente in posizione.
	Verificare che la guarnizione della porta non sia deformata o strappata.
	Assicurarsi che l'apparecchio sia in piano.
La porta non si aprirà.	Se hai appena aperto la porta, attendi qualche minuto affinché la pressione dell'aria si equilibri prima di riprovare.

PROBLEMA	CAUSA/SOLUZIONE
Rumori strani.	Verificare che l'apparecchio sia su una superficie piana, livellata e stabile.
	Guardati intorno nel frigorifero e assicurati di non toccare altri oggetti.
	Rumore di gorgoglio e gorgoglio: prodotto dal passaggio del liquido refrigerante attraverso le tubazioni dell'impianto. Questo rumore è normale.
	Suono dell'acqua che scorre: Questo è normale, si tratta di acqua che scorre nello scarico durante il processo di sbrinamento.
	Se l'apparecchio funziona rumorosamente (rumore del compressore): È normale. Indica che il compressore funziona normalmente. Mentre il compressore viene alimentato, potrebbe emettere rumore per un breve periodo di tempo.
	La contrazione e l'espansione della parte interna delle pareti può provocare scoppiettii e ticchettii.
Il compressore funziona sempre.	La temperatura è impostata troppo bassa, selezionare una temperatura più alta.
	La porta è aperta o qualcosa ne blocca la chiusura.
	Le guarnizioni in gomma sono usurate, sporche o danneggiate.
	È stata aggiunta una grande quantità di cibo nel frigorifero.
	La temperatura della stanza è più alta del normale.
La superficie fuori dal frigorifero è caldo.	Le pareti esterne potrebbero essere più calde della temperatura ambiente. È normale che il compressore lavori per estrarre calore dall'interno del frigorifero.



In conformità con le direttive: 2012/19 / UE e 2015/863 / UE sulla restrizione dell'uso di sostanze pericolose nelle apparecchiature elettriche ed elettroniche, nonché sul loro smaltimento dei rifiuti. Il simbolo con la pattumiera incrociata mostrato sulla confezione indica che il prodotto al termine della sua vita utile verrà raccolto come rifiuto separato. Pertanto, qualsiasi prodotto che ha raggiunto la fine della sua vita utile deve essere consegnato a centri specializzati di smaltimento dei rifiuti per la raccolta selettiva di rifiuti di apparecchiature elettriche ed elettroniche o restituito al rivenditore al momento dell'acquisto di nuove apparecchiature simili, in un'unica per una base. Una corretta raccolta separata per la successiva messa in servizio di apparecchiature spedite per essere riciclate, trattate e smaltite in modo ecologico aiuta a prevenire potenziali effetti negativi sull'ambiente e sulla salute e ottimizza il riciclaggio e il riutilizzo di i componenti che compongono il dispositivo. L'eliminazione abusiva del prodotto da parte dell'utente implica l'applicazione di sanzioni amministrative in conformità con le leggi.

Vielen Dank, dass Sie sich für unseren Kühlschrank entschieden haben. Bevor Sie dieses Gerät verwenden und um eine optimale Nutzung zu gewährleisten, lesen Sie bitte die grundlegenden Sicherheitshinweise sorgfältig durch.

Die hier aufgeführten Sicherheitsmaßnahmen verringern bei korrekter Befolgung das Risiko von Bränden, Stromschlägen und Verletzungen. Bitte bewahren Sie das Handbuch sowie den Kaufbeleg und die Verpackung zum späteren Nachschlagen an einem sicheren Ort auf. Geben Sie diese Anleitung ggf. an den künftigen Besitzer des Gerätes weiter. Befolgen Sie bei der Verwendung eines Elektrogeräts stets die grundlegenden Sicherheitshinweise und Maßnahmen zur Gefahrenverhütung. Der Hersteller übernimmt keine Haftung für Schäden, die aus der Nichtbeachtung dieser Anweisungen durch den Benutzer entstehen.

SICHERHEITSHINWEISE

Lesen Sie vor der Verwendung eines Elektrogeräts sorgfältig die folgenden grundlegenden Sicherheitshinweise.

- Dieses Gerät ist für den Einsatz im Haushalt oder in ähnlichen Umgebungen bestimmt, zum Beispiel in Personalküchenbereichen in Geschäften, Büros und anderen Arbeitsumgebungen, in Ferienhäusern und für Kunden in Hotels, Motels und anderen Wohnumgebungen, Bed & Breakfast-Typen, Catering und Ähnlichem Nicht-Einzelhandelsanwendungen.
- Dieses Gerät kann von Kindern ab 8 Jahren und Personen mit eingeschränkten körperlichen, sensorischen oder geistigen Fähigkeiten oder mangelnder Erfahrung und Wissen verwendet werden, wenn sie beaufsichtigt oder in die sichere Verwendung des Geräts eingewiesen wurden und die damit verbundenen Gefahren verstehen.
- Kinder sollten nicht mit dem Gerät spielen. Die Reinigung und Wartung des Geräts sollte nicht von Kindern ohne Aufsicht durchgeführt werden.
- Wenn das Netzkabel beschädigt ist, muss es vom Hersteller, seinem Kundendienst oder einer ähnlich qualifizierten Person ersetzt werden, um Gefahren zu vermeiden.
- Halten Sie die Lüftungsöffnungen frei von Hindernissen.
- Verwenden Sie zur Beschleunigung des Abtauvorgangs keine anderen als die vom Hersteller empfohlenen mechanischen Geräte oder andere Mittel.
- Benutzen Sie in den Lebensmittelaufbewahrungsfächern des Geräts keine Elektrogeräte, es sei denn, es handelt sich um den vom Hersteller empfohlenen Typ.
- Bei Geräten, die brennbare Isoliergase verwenden, darf nur der Servicetechniker oder ähnlich qualifiziertes Personal die im Gerät enthaltenen brennbaren Isoliergase entfernen.
- Lagern Sie in diesem Gerät keine explosiven Stoffe wie Aerosoldosen mit brennbarem Treibmittel.
- Um Gefahren aufgrund der Instabilität des Geräts zu vermeiden, muss es gemäß den Anweisungen in der Anleitung befestigt werden.
- Dieses Kühlgerät ist nicht für den Einbau geeignet.
- Stellen Sie sicher, dass das Netzteil die auf dem Produktinformationsetikett angegebenen Anforderungen erfüllt.

- Verwenden Sie eine separate Steckdose mit mindestens 10 A und einer Erdungsvorrichtung. Verwenden Sie für die Stromversorgung niemals einen Transformator oder eine Steckdosenleiste.
- In jedem Fall muss die Steckdose an eine Erdungsleitung angeschlossen werden. Modifizieren Sie niemals das Stromkabel und/oder den Stecker.
- Der Netzstecker muss in festem Kontakt mit der Steckdose gehalten werden, andernfalls kann es zu Bränden kommen.
- Sobald der Kühlschrank installiert ist, muss der Stecker leicht zugänglich sein, um im Falle eines Unfalls das Entfernen zu erleichtern.
- Trennen Sie den Kühlschrank niemals vom Netz, indem Sie am Netzkabel ziehen. Um den Stecker zu entfernen, halten Sie ihn fest und ziehen Sie ihn aus der Steckdose.
- Quetschen Sie das Netzkabel nicht durch das Gehäuse des Kühlschranks und treten Sie nicht darauf.
- Seien Sie beim Umgang mit dem Kühlschrank sehr vorsichtig. Wickeln Sie das Kabel des Geräts niemals auf.
- Wenn das Stromkabel beschädigt oder der Stecker abgenutzt ist, verwenden Sie das Produkt nicht. In diesem Fall muss der Austausch des Stromkabels oder Steckers in der vom Hersteller angegebenen Reparaturwerkstatt oder von einem kompetenten Fachmann durchgeführt werden.
- Im Falle eines Gaslecks schließen Sie das undichte Ventil und öffnen Sie dann die Türen und Fenster zum Lüften. Niemals die Steckdose in den Kühlschrank einstecken oder herausziehen.
- Lagern oder verwenden Sie niemals Benzin oder andere brennbare Substanzen in der unmittelbaren Nähe des Kühlschranks, um Brände zu vermeiden.
- Platzieren Sie niemals brennbare und explosive Stoffe, stark ätzende Säuren oder Laugen usw. im Kühlschrank.
- Vermeiden Sie Schäden am Kühlkreislauf.
- Halten Sie Kinder davon ab, mit dem Produkt zu spielen, da sie sich darin einklemmen könnten.
- Verhindern Sie, dass sich Kinder am Türkörper festhalten, um Verletzungen durch Kippen des Türkörpers oder Drehen des Kühlschranks zu vermeiden.
- Um Verletzungen zu vermeiden, verhindern Sie, dass Kinder ihre Hände oder Füße in verschiedene Arten von perforierten Löchern und Seitenkanten des mechanischen Fachs, der Rückplatte oder anderer Metallschutzteile des Kühlschranks stecken.
- Besprühen oder spülen Sie den Kühlschrank niemals mit Wasser und stellen Sie ihn niemals an einem Ort auf, an dem er Feuchtigkeit oder Spritzwasser ausgesetzt ist. Füllen Sie den Kühlschrank schon gar nicht mit Wasser, um die elektrische Isolierung des Kühlschranks nicht zu beeinträchtigen. Darüber hinaus kann die Nichtbeachtung dieser Anforderungen zu Stromschlägen, Bränden oder anderen Unfällen führen.
- Berühren Sie nach dem Betrieb des Kühlschranks niemals dessen Innenfläche, insbesondere nicht mit nassen Händen, da sonst Ihre Haut an der Innenfläche kleben bleiben und Verletzungen verursachen kann.
- Entfernen oder modifizieren Sie den Kühlschrank niemals ohne Geneh-

migung, da dies zu Schäden am Kühlschrankskreislauf führen kann. Die Reparatur eines Kühlschranks sollte von einem kompetenten Fachmann durchgeführt werden.

- Lagern Sie keine abgefüllten flüssigen Lebensmittel in der Gefrierkammer.
- Nehmen Sie keine direkt aus dem Gefrierschrank entnommenen Tiefkühlprodukte (Eis am Stiel, Eiswürfel usw.) in den Mund, da die niedrige Temperatur zu schweren Verbrennungen führen kann. Lassen Sie sie einige Minuten ruhen.
- Halten Sie den Kühlschrank von Zündquellen fern, um Unfälle zu vermeiden.
- Nur technisches Servicepersonal darf den Kühlschrank warten und unprofessionelle Eingriffe können für den Benutzer gefährlich sein.
- Achten Sie beim Aufstellen des Geräts darauf, dass das Netzkabel nicht eingeklemmt oder beschädigt wird.
- Platzieren Sie nicht mehrere tragbare Steckdosen oder tragbare Netzteile auf der Rückseite des Geräts.
- Entsorgen Sie das Gerät nur bei einer autorisierten Entsorgungsstelle. Bringen Sie den Kühlschrank zur vorgesehenen Entsorgungsstelle.
- Setzen Sie den Kühlschrank keinen Flammen aus.
- Um eine Lebensmittelkontamination zu vermeiden, befolgen Sie die folgenden Anweisungen:
 - Durch längeres Öffnen der Tür kann es zu einem deutlichen Temperaturanstieg in den Geräteräumen kommen.
 - Reinigen Sie regelmäßig Oberflächen, die mit Lebensmitteln in Berührung kommen könnten, sowie zugängliche Abflusssysteme.
 - Lagern Sie rohes Fleisch und Fisch in geeigneten Behältern im Kühlschrank, damit sie nicht mit anderen Lebensmitteln in Berührung kommen oder darauf tropfen.
 - Zwei-Sterne-Gefrierfächer eignen sich zum Aufbewahren von vorgefrorenen Lebensmitteln und zur Herstellung von Eiswürfeln.
 - Die Ein-, Zwei- und Drei-Sterne-Fächer sind nicht zum Einfrieren frischer Lebensmittel geeignet.
- Wenn das Kühlgerät längere Zeit leer steht, schalten Sie den Kühlschrank aus, tauen Sie ihn ab, reinigen Sie ihn, trocknen Sie ihn und lassen Sie die Tür offen, um Schimmelbildung im Inneren des Geräts zu vermeiden.

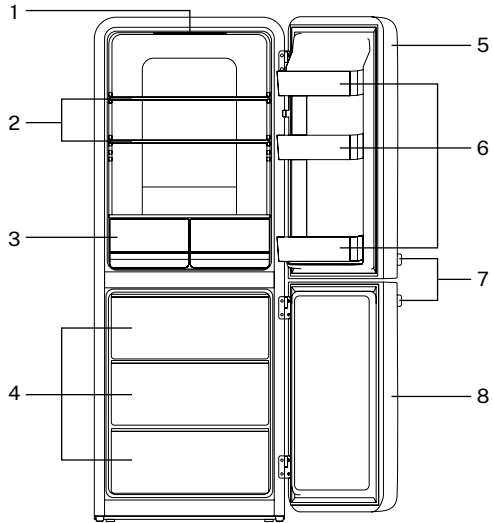


Kältemittel

- Im Kältekreislauf des Gerätes befindet sich das Kältemittel Isobutan (R600a), ein Erdgas mit hoher Umweltverträglichkeit, das jedoch brennbar ist. Achten Sie beim Transport und bei der Installation des Gerätes darauf, dass keine Komponenten des Kältekreislaufs beschädigt werden.
- Das Kältemittel (R600a) ist brennbar.
- Wenn der Kühlkreislauf beschädigt ist:
 - Vermeiden Sie offene Flammen und Zündquellen.
 - Belüften Sie den Raum, in dem das Gerät steht, gut.

TEILELISTE

1. LED-Licht
2. Glasböden
3. Schubladen
4. Gefrierschubladen
5. Kühlschranktür
6. Türregale
7. Griffe
8. Gefriertür



EINRICHTUNG

Bevor Sie Ihren neuen Kühlschrank installieren, lesen Sie das Handbuch sorgfältig durch und befolgen Sie diese Anweisungen:

1. Stellen Sie den Kühlschrank auf einen stabilen und ebenen Boden, damit er weniger Lärm verursacht. Stellen Sie sicher, dass der Boden stabil genug ist, um sein Gewicht bei vollständiger Befüllung zu tragen.
2. Wenn Sie den Kühlschrank auf einen Teppich stellen möchten, legen Sie ein Holzbrett zwischen Teppich und Kühlschrank. Bitte beachten Sie, dass das Aufstellen des Kühlschranks auf einem Teppich dazu führen kann, dass die vom Kompressor abgegebene Wärme den Teppich verfärbt.
3. Dieses Gerät ist für den eigenständigen Stand konzipiert und darf nicht eingebaut oder auf einem Ständer montiert werden.
4. Kippen Sie den Kühlschrank beim Bewegen nicht um mehr als 45°.
5. Vermeiden Sie Bereiche, in denen das Gerät Sonnenlicht, Wärmequellen (Herd, Ofen, Heizkörper usw.), extrem niedrigen Umgebungstemperaturen oder hoher Luftfeuchtigkeit ausgesetzt ist. Durch die Installation im kühlestem Bereich des Raums wird Energie gespart.

Mit Vorsicht behandeln! Üben Sie keine Gewalt auf Teile wie den Kondensator oder die Türen aus. Die Metallschienen unter dem Kühlschrank können scharfe Kanten haben. Packen Sie ihn daher immer vorsichtig aus. Ziehen Sie den Kühlschrank nicht, sondern stellen Sie ihn vorsichtig an seinen Platz, damit er den Boden nicht zerkratzt.

PLATZANFORDERUNGEN

- Stellen Sie den Kühlschrank so auf, dass Sie genügend Platz zum Öffnen der Tür haben.
- Lassen Sie an der Rückseite des Kühlschranks einen Mindestabstand von 100 mm, um sicherzustellen, dass die Luft ungehindert zirkulieren kann, damit der Kompressor und der Kondensator kühlen können. Lassen Sie außerdem mindestens 50 mm Platz oben am Kühlschrank und 50 mm auf jeder Seite.

NIVELLIERUNG

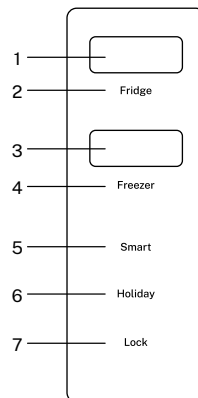
- Das Gerät muss waagrecht stehen, damit es ordnungsgemäß funktioniert. Bei nicht ordnungsgemäßer Nivellierung werden die Ausrichtung der Türen und der Magnetsichtung nicht ordnungsgemäß abgedeckt.
- Um den Kühlschrank auszurichten, stellen Sie einen oder beide Nivellierfüße an seinem Sockel ein.

VOR DEM ERSTEN GEBRAUCH

1. Reinigen Sie den Kühlschrank. Reinigen Sie das Gehäuse des Kühlschranks nicht direkt mit Wasser und verwenden Sie zur Reinigung auch kein Benzin oder andere Lösungsmittel.
2. Stellen Sie sicher, dass der Kühlschrank richtig nivelliert ist.
3. Schalten Sie den Kühlschrank nach dem Nivellieren und Reinigen nicht sofort ein. Lassen Sie den Kühlschrank mindestens 24 Stunden lang ausgeschaltet, um einen normalen Betrieb sicherzustellen.
4. Schließen Sie die Kühlschranktüren und stecken Sie das Netzkabel ein. Überprüfen Sie vor dem Anschließen des Kühlschranks, ob Ihre Steckdose über einen korrekten Erdungsanschluss verfügt.
5. Wenn das Netzkabel beschädigt ist, sollte es von einem Fachmann des Herstellers, seiner Reparaturabteilung oder einer ähnlichen Abteilung ersetzt werden, um jede Gefahr zu vermeiden.
6. Sobald die Stromversorgung eingeschaltet ist, beginnt der Kühlschrank zu arbeiten. Wenn der Kühlschrank längere Zeit nicht funktioniert, überprüfen Sie, ob die Steckdose und der Stromkreis normal funktionieren. Wenn eine halbe Stunde nach dem Öffnen der Kühlschranktür ein plötzlicher Temperaturabfall festgestellt wird, funktioniert der Kühlschrank normal.
7. Passen Sie nach 3 oder 4 Stunden die Temperatur an und füllen Sie dann die Lebensmittel gemäß den Anweisungen ein. Es ist normal, dass der Kompressor beim ersten Verstopfen länger läuft und dann zeitweise läuft.
8. Schalten Sie den Kühlschrank grundsätzlich nicht aus, um seine normale Lebensdauer nicht zu beeinträchtigen. Nachdem Sie den Stecker aus der Steckdose gezogen haben, warten Sie mindestens 5 Minuten, bevor Sie ihn wieder einstecken, um den normalen Betrieb des Kühlschranks sicherzustellen.
9. Schalten Sie die Stromversorgung des Kühlschranks nicht aus, wenn dies nicht unbedingt erforderlich ist, da die Unterbrechung der Stromversorgung zu einem Temperaturanstieg im Kühlschrank führen und somit die Lagerzeit von Lebensmitteln verkürzen kann.
10. Halten Sie etwas Platz zwischen den Lebensmittelbehältern ein, um die Zirkulation der Frischluft zu erleichtern.

BEDIENFELD

1. Kühlschrankdisplay
2. Kühlschrank und Schnellkühltaste
3. Gefrierschirm
4. Gefriertaste
5. Smart-Modus-Taste
6. Taste für den Urlaubsmodus
7. Sperrknopf



Kühlschrankeinstellungen

- Drücken Sie die Kühlschranktaste, um die Kühlschranktemperatur zu ändern.
- Die Kühlraumeinstellungen können zyklisch zwischen 8 °C und 2 °C eingestellt werden.
- Die eingestellte Temperatur des Kühlfachs wird auf dem ersten Display des Bedienfelds angezeigt.

Gefrierschrankeinstellungen

- Drücken Sie die Gefriertaste, um die Gefriertemperatur zu ändern.
- Die Einstellungen des Gefrierfachs können zyklisch zwischen -14 °C und -24 °C angepasst werden.
- Die eingestellte Gefrierfachtemperatur wird auf dem zweiten Display des Bedienfelds angezeigt.

Smart-Modus

- Drücken Sie die Smart-Taste drei Sekunden lang, um den Smart-Modus zu aktivieren oder zu verlassen.
- In diesem Modus werden die Temperaturen des Gefrierfachs automatisch auf -18 °C und des Kühlfachs auf 5 °C eingestellt.

Urlaubsmodus

- Drücken Sie die Feiertagstaste drei Sekunden lang, um in den Urlaubsmodus zu wechseln.
- Wenn der Urlaubsmodus aktiviert wird, leuchtet das Symbol der Urlaubstaste auf und auf dem ersten Bildschirm des Bedienfelds wird „---“ angezeigt.
- Sie können den Urlaubsmodus einstellen, wenn Sie den Kühlschrank über einen längeren Zeitraum nicht benutzen müssen, und so Strom sparen.
- Wenn sich der Kühlschrank im Urlaubsmodus befindet, ist das Kühlfach auf 15 °C eingestellt. Wenn Sie diese Option einstellen, müssen Sie die Lebensmittel aus dem Kühlschrank nehmen, da sie sonst verderben können.
- Um den Urlaubsmodus zu verlassen, ändern Sie die Temperatur des Kühlraums im Schnellkühlmodus oder drücken Sie die Urlaubstaste.
- Wenn Sie den Urlaubsmodus verlassen, arbeitet das Gefrierfach normal entsprechend der eingestellten Gefrierfachtemperatur.

Schnellkühlmodus

- Drücken Sie die Taste „Gefrierschrank“ oder „Kühlschrank“ 3 Sekunden lang, um in den Schnellkühlmodus zu wechseln oder ihn zu verlassen.

Blockierung

1. Das Bedienfeld bleibt immer verschlossen, um eine unbeabsichtigte Benutzung zu verhindern.
2. Um die Sperrfunktion zu deaktivieren und das Bedienfeld zu aktivieren, halten Sie die Taste 3 Sekunden lang gedrückt.
3. Wenn das Bedienfeld entriegelt wurde, wird es 1 Minute nach dem Schließen der Kühlraumtür automatisch wieder verriegelt.

BETREUUNG UND BERATUNG

ENERGIE SPAREN

- Warten Sie, bis heiße Speisen und Getränke abgekühlt sind, bevor Sie sie in den Kühlschrank stellen.
- Überlasten Sie den Kühlschrank nicht, da der Kompressor sonst länger laufen muss.
- Verpacken Sie die Lebensmittel gut, reinigen und trocknen Sie die Behälter, bevor Sie sie in den Kühlschrank stellen, um Frostbildung zu vermeiden.
- Legen Sie kein Kühlfach mit Aluminiumfolie, Backpapier oder Papierservietten aus. Jegliche Auskleidung beeinträchtigt die Durchblutung und verringert die Effizienz.
- Lagern Sie Lebensmittel so, dass sie von Luft umströmt werden können.
- Lassen Sie die Kühlschranktür nicht länger als nötig offen.
- Stellen Sie sicher, dass Lebensmittel die Rückseite der Fächer nicht berühren.
- Stellen Sie den Thermostat nicht auf eine extrem niedrige Temperatur ein.

BEWEGEN SIE DEN KÜHLSCHRANK

1. Trennen Sie den Kühlschrank vom Stromnetz und entfernen Sie alle Lebensmittel aus dem Inneren.
 2. Schließen Sie die Türen und das Netzkabel und kleben Sie sie an der Rückseite des Kühlschranks fest. Nehmen Sie alle abnehmbaren Teile heraus, wickeln Sie sie gut ein und befestigen Sie sie mit Klebeband, damit sie sich während des Umzugs nicht bewegen.
 3. Heben Sie je nach Modell die Vorderseite des Kühlschranks an, damit er leichter rollt, oder schrauben Sie die Nivellierfüße fest, damit sie den Boden nicht zerkratzen.
- VORSICHTIG!** Heben Sie den Kühlschrank niemals an der Tür an.
4. Schützen Sie das Äußere des Produkts mit einer Decke oder einem weichen, gepolsterten Gegenstand und stellen Sie sicher, dass der Kühlschrank während des Transports sicher und aufrecht bleibt.

ÄNDERUNG DER EINHEITEN

Um zwischen Celsius (°C) und Fahrenheit (°F) umzuschalten, halten Sie die Tasten Smart und Holiday gleichzeitig 3 Sekunden lang gedrückt.

REINIGUNG

Trennen Sie das Gerät vom Stromnetz, bevor Sie es reinigen.

Innenreinigung.

- Gießen Sie kein Wasser auf das Gerät.
- Reinigen Sie den Hohlraum regelmäßig mit einer Lösung auf Basis von Backpulver und warmem Wasser (5 ml/0,5 l Wasser).
- Reinigen Sie das Zubehör separat mit Wasser und Seife. Geben Sie sie nicht in die Spülmaschine.
- Verwenden Sie keine Scheuermittel, Reinigungsmittel oder Seifen.
- Spülen Sie das Zubehör nach der Reinigung mit klarem Wasser ab und trocknen Sie es sorgfältig ab.
- Wenn Sie mit der Reinigung des gesamten Kühlschranks fertig sind, stecken Sie den Stecker mit trockenen Händen wieder in die Steckdose.

Außenreinigung.

- Reinigen Sie die Außenseite mit warmem Seifenwasser. Verwenden Sie keine scheuernden Produkte.
- An den unteren Teilen des Produkts befinden sich scharfe Gegenstände. Seien Sie daher beim Reinigen vorsichtig.
- Entfernen Sie ein- bis zweimal im Jahr mit einer Bürste oder einem Staubsauger Staub von der Rückseite des Kühlschranks und vom Kompressor auf der Rückseite. Eine Staubansammlung kann die Leistung des Geräts beeinträchtigen und zu einem erhöhten Energieverbrauch führen.

WARNUNG!

- Reinigen Sie das Gerät niemals mit säurehaltigen, scheuernden, öligen, lösungsmittelhaltigen Reinigungsmitteln, Scheuerschwämmen oder Scheuerschwämmen. Verwenden Sie zum Reinigen niemals brennbare Flüssigkeiten oder Sprays, da die von diesen Substanzen freigesetzten Gase zu einem Brand- oder Explosionsrisiko führen können.
- Reinigen Sie das Gerät niemals mit einem Dampfreiniger. An elektrischen Bauteilen könnte sich Feuchtigkeit ansammeln und die Gefahr eines Stromschlags verursachen! Heiße Dämpfe können Kunststoffteile beschädigen.
- Vor der erneuten Inbetriebnahme muss das Gerät vollständig trocken sein.
- Ätherische Öle und organische Lösungsmittel können Kunststoffteile (z. B. Zitronensaft oder der Saft einer Orangenschale) oder essigsäurehaltige Reinigungsmittel angreifen. Lassen Sie diese Substanzen nicht mit Teilen des Geräts in Kontakt kommen.

ESSENSLAGER

- Bevor Sie Lebensmittel in Ihrem Kühlschrank aufbewahren, stellen Sie sicher, dass Ihre Lebensmittel, insbesondere Lebensmittel, die Wasser enthalten, in ordnungsgemäß verpackten Plastiktüten oder Behältern mit ordnungsgemäßem Verschluss aufbewahrt werden, um unerwartete Gerüche oder Trockenheit zu vermeiden.
- Heiße oder warme Lebensmittel sollten nach dem Abkühlen in den Kühlschrank gestellt werden, um Energie zu sparen.
- Lassen Sie ausreichend Platz zwischen den Lebensmitteln, um eine bessere Luftzirkulation im Kühlschrank zu gewährleisten.
- Es ist besser, Lebensmittel in Stücken aufzubewahren als in ganzen Stücken.
- Bewahren Sie Obst und Gemüse sowie Getränkeflaschen nach der Reinigung weg.
- Bewahren Sie Obst und Gemüse in der Gemüseschublade auf, damit sie frisch bleiben.
- Bewahren Sie Lebensmittel frisch und warm bei Zimmertemperatur auf, fern von bereits gefrorenen Produkten.
- Zum Einfrieren von Produkten nutzen Sie bitte den mit: ❄️ ❄️ ❄️
- Die Lagerzeit von Tiefkühlprodukten hängt von deren Qualität vor dem Einfrieren im frischen Zustand und der Lagertemperatur ab. Die folgenden Lagerzeiten werden empfohlen, wenn die Temperatur bei -18 °C oder darunter gehalten wird:

Produkte	Monate
Rindfleisch	6-8
Kalbfleisch	3-6
Innereien	1-2

Produkte	Monate
Schwein	3-6
Geflügel	6-8
Fisch	3-6

PRODUKTENTSORGUNG

Stellen Sie sicher, dass alle Verschlüsse unbrauchbar sind, entfernen Sie die Tür(en) und entsorgen Sie diese separat.

Warnung vor chemischen Risiken: Lassen Sie Kinder nicht mit alten Geräten spielen.

Wenden Sie sich an Ihre zuständige Gemeindeverwaltung, um sich über das Verschrotungsverfahren zu informieren.

- Bevor Sie ein altes Gerät entsorgen, stellen Sie bitte sicher, dass es ausgeschaltet und sicher ist. Trennen Sie das Gerät vom Stromnetz und brechen Sie alle Schlösser auf, um zu verhindern, dass Kinder eingeklemmt werden.
- Bitte beachten Sie: Das Kühlsystem enthält Gas und Kältemittel, die eine spezielle Abfallentsorgung erfordern.
- Sie können zum Umweltbewusstsein beitragen, indem Sie auf angemessene und umweltfreundliche Entsorgungsmethoden drängen.
- Erlauben Sie Haustieren und Kindern nicht, mit der Verpackung zu spielen und entsorgen Sie Plastiktüten auf sichere Weise.
- Sie können den Karton zerreißen oder in kleinere Stücke schneiden und recyceln. Die Hüllen bestehen aus Polyethylen. Polsterung und Füllung aus Polyethylen enthalten keine fluorierten Kohlenwasserstoffe und sind daher für das Recycling geeignet.

WARNUNG! Um zu verhindern, dass Kinder beim Spielen eingesperrt werden, wenn dieses Gerät als Ersatz für ein anderes Gerät mit Schloss verwendet wird:

- Brechen oder entfernen Sie aus Sicherheitsgründen den Verschluss, bevor Sie ihn aufbewahren.
- Entfernen Sie die Türen.
- Lassen Sie die Regale an Ort und Stelle, damit Kinder nicht leicht darauf klettern können.
- Schneiden Sie das Anschlusskabel so nah wie möglich am Gerät ab.
- Wenn dieses Gerät mit magnetischer Türdichtung ein altes Gerät ersetzen soll, das über einen Federriegel an der Tür oder am Deckel verfügt, machen Sie bitte den Federriegel unbrauchbar, bevor Sie das Altgerät entsorgen. Dadurch wird das Risiko verringert, dass Kinder oder Tiere darin eingeschlossen werden.

PROBLEMLÖSUNG

PROBLEM	URSACHE/LÖSUNG
Der Kühlschrank funktioniert nicht	Es ist nicht eingeschaltet. Stecken Sie es in eine geerdete Steckdose.
	Es gibt keinen Strom. Überprüfen Sie, ob der Stecker nicht defekt ist.
	Die Sicherung ist durchgebrannt/der Schutzschalter hat ausgelöst. Kontaktieren Sie Ihren Servicemitarbeiter.
	Stellen Sie sicher, dass die Spannung für dieses Gerät korrekt ist.
Die Temperatur im Inneren des Geräts ist nicht kalt genug.	Im Inneren gibt es kürzlich viele warme Speisen. Warten Sie mehrere Stunden, bis die Temperatur wieder normal ist.
	Die Steuerung ist nicht richtig auf die Umgebungsbedingungen eingestellt.
	Stellen Sie sicher, dass das Gerät keiner direkten Sonneneinstrahlung ausgesetzt ist oder sich zu nahe an einer Wärmequelle befindet.
	Überprüfen Sie, ob die Umgebungstemperatur innerhalb der Betriebsgrenzen des Geräts liegt.
	Die Türen des Gerätes werden häufig geöffnet. Sobald die Tür geöffnet wird, gelangt Feuchtigkeit aus der Raumluft in das Gerät, insbesondere wenn die Luftfeuchtigkeit im Raum sehr hoch ist. Je weiter die Tür bei Nässe geöffnet wird, desto größer ist die Gefahr einer Feuchtigkeitsansammlung.
	Die Tür ist nicht geschlossen.
	Die Gummidichtung ist nicht richtig abgedichtet.
Die Temperatur im Kühlschrank ist zu niedrig.	Der Kühlschrank bietet nicht genügend Platz für die Belüftung von hinten und von den Seiten.
	Erhöhen Sie die Temperatur, indem Sie den Thermostat auf eine niedrigere Einstellung einstellen. Die höchste Leistung sollte nur als Schnellkühlmodus genutzt werden und nur für zwei Stunden eingestellt werden, bevor eine große Menge an Lebensmitteln eingelagert werden soll. Andernfalls könnte die Temperatur unter 0 °C fallen, da der Kompressor im Dauerbetrieb wäre.
Kondensation an der Innen-/Außenseite der Kühlschrankwände.	Heißes und feuchtes Klima erhöht die Frostbildung in Innenräumen. Es ist normal.
Schlechter Geruch.	Stellen Sie sicher, dass die Lebensmittel und Getränke im Kühlschrank nicht abgelaufen sind und ordnungsgemäß verpackt sind. Ist dies nicht der Fall, werfen Sie es weg oder bewahren Sie es gut auf.
	Stellen Sie sicher, dass nichts verschüttet wurde. Jede verschüttete Flüssigkeit, die unbeaufsichtigt bleibt und nicht beseitigt wird, kann unerwünschte Gerüche verursachen.
Die Türen schließen nicht richtig.	Stellen Sie sicher, dass keine Gegenstände das Schließen der Tür behindern.
	Überprüfen Sie, ob sowohl die Regale als auch die Fächer fest angebracht sind.
	Stellen Sie sicher, dass die Türdichtung nicht verformt oder gerissen ist.
	Stellen Sie sicher, dass das Gerät waagrecht steht.
Die Tür lässt sich nicht öffnen.	Wenn Sie die Tür gerade erst geöffnet haben, warten Sie einige Minuten, bis sich der Luftdruck ausgeglichen hat, bevor Sie es erneut versuchen.

PROBLEM	URSACHE/LÖSUNG
Merkwürdige Geräusche.	Stellen Sie sicher, dass das Gerät auf einer ebenen, ebenen und stabilen Oberfläche steht.
	Schauen Sie sich im Kühlschrank um und achten Sie darauf, dass Sie keine anderen Gegenstände berühren.
	Gurgelndes und sprudelndes Geräusch: entsteht durch den Durchgang von Kühlmittel durch die Systemrohre. Dieses Geräusch ist normal.
	Geräusch von fließendem Wasser: Das ist normal, es handelt sich um Wasser, das während des Abtauvorgangs in den Abfluss fließt.
	Wenn das Gerät laut läuft (Kompressorgeräusch): Es ist normal. Zeigt an, dass der Kompressor normal arbeitet. Während der Kompressor eingeschaltet wird, kann es für kurze Zeit zu Geräuschen kommen.
	Durch das Zusammenziehen und Ausdehnen des Wandinneren kann es zu Knall- und Klickgeräuschen kommen.
Der Kompressor läuft ständig.	Die Temperatur ist zu niedrig eingestellt, wählen Sie eine höhere Temperatur.
	Die Tür ist offen oder etwas blockiert den Verschluss.
	Die Gummidichtungen sind verschlissen, verschmutzt oder beschädigt.
	Es wurden große Mengen Lebensmittel in den Kühlschrank gelegt.
	Die Raumtemperatur ist höher als normal.
Die Oberfläche Die Außenseite des Kühlschranks ist heiß.	Außenwände können wärmer als die Raumtemperatur sein. Es ist normal, dass der Kompressor arbeitet, um dem Inneren des Kühlschranks Wärme zu entziehen.



In Übereinstimmung mit den Richtlinien: 2012/19 / EU und 2015/863 / EU über die Beschränkung der Verwendung gefährlicher Stoffe in elektrischen und elektronischen Geräten sowie deren Abfallentsorgung. Das Symbol mit der gekreuzten Mülltonne auf der Verpackung zeigt an, dass das Produkt am Ende seiner Nutzungsdauer als separater Abfall gesammelt wird. Daher muss jedes Produkt, das das Ende seiner Nutzungsdauer erreicht hat, an spezialisierte Abfallentsorgungszentren zur selektiven Sammlung von elektrischen und elektronischen Abfallgeräten geliefert oder beim Kauf ähnlicher neuer Geräte an den Einzelhändler zurückgegeben werden für eine Basis. Die ordnungsgemäße getrennte Sammlung für die spätere Inbetriebnahme von Geräten, die zum umweltfreundlichen Recycling, zur Behandlung und Entsorgung versandt werden, trägt dazu bei, mögliche negative Auswirkungen auf Umwelt und Gesundheit zu vermeiden und das Recycling und die Wiederverwendung zu optimieren die Komponenten, aus denen das Gerät besteht. . Die missbräuchliche Beseitigung des Produkts durch den Benutzer impliziert die Anwendung von Verwaltungsanktionen in Übereinstimmung mit den Gesetzen.

Bedankt dat u voor onze koelkast heeft gekozen. Voordat u dit apparaat gebruikt en om het beste gebruik ervan te garanderen, verzoeken wij u de basisveiligheidsinstructies zorgvuldig door te lezen.

De hier genoemde veiligheidsmaatregelen verminderen het risico op brand, elektrische schokken en letsel als ze correct worden opgevolgd. Bewaar de handleiding op een veilige plaats voor toekomstig gebruik, evenals het aankoopbewijs en de doos. Geef deze instructies, indien van toepassing, aan de toekomstige eigenaar van het apparaat. Volg altijd de basisveiligheidsinstructies en maatregelen ter voorkoming van gevaren wanneer u een elektrisch apparaat gebruikt. De fabrikant is niet verantwoordelijk voor schade die voortvloeit uit het niet opvolgen van deze instructies door de gebruiker.

BEVEILIGINGSINSTRUCTIES

Lees zorgvuldig de volgende fundamentele veiligheidsmaatregelen voordat u een elektrisch apparaat gebruikt.

- Dit apparaat is bedoeld voor gebruik in huis of een vergelijkbare omgeving, bijvoorbeeld: personeelskeukens in winkels, kantoren en andere werkomgevingen, huisjes en door klanten in hotels, motels en andere residentiële omgevingen, bed & breakfast-type, catering en dergelijke niet-retailtoepassingen.
- Dit apparaat kan worden gebruikt door kinderen van 8 jaar en ouder en door personen met verminderde lichamelijke, zintuiglijke of geestelijke vermogens of een gebrek aan ervaring en kennis, als zij onder toezicht staan of instructies hebben gekregen over het veilige gebruik van het apparaat en de mogelijke gevaren begrijpen. .
- Kinderen mogen niet met het apparaat spelen. Reiniging en onderhoud van het apparaat mogen niet door kinderen zonder toezicht worden uitgevoerd.
- Als het netsnoer beschadigd is, moet het worden vervangen door de fabrikant, zijn serviceagent of een vergelijkbaar gekwalificeerde persoon om gevaar te voorkomen.
- Houd ventilatieopeningen vrij van obstakels.
- Gebruik geen andere mechanische apparaten of andere middelen om het ontdooiproces te versnellen dan die aanbevolen door de fabrikant.
- Gebruik geen elektrische apparaten in de voedselopslagcompartimenten van het apparaat, tenzij ze van het type zijn dat door de fabrikant wordt aanbevolen.
- Voor apparaten die ontvlambare isolatiegassen gebruiken, kan alleen de onderhoudsmonteur of vergelijkbaar gekwalificeerd personeel de ontvlambare isolatiegassen in het apparaat verwijderen.
- Bewaar geen explosieve stoffen zoals spuitbussen met een brandbaar drijfgas in dit apparaat.
- Om gevaar als gevolg van instabiliteit van het apparaat te voorkomen, moet het worden bevestigd volgens de instructies in de instructies.
- Dit koelapparaat is niet ontworpen om ingebouwd te worden.

- Zorg ervoor dat de voeding voldoet aan de eisen die op het productinformatielabel staan vermeld.
- Gebruik een apart stopcontact, minimaal 10 A en voorzien van een aardvoorziening. Gebruik nooit een transformator of stopcontact voor elektrische stroom.
- In alle gevallen moet het stopcontact op een aardleiding worden aangesloten. Wijzig nooit de voedingskabel en/of stekker.
- De stekker van het elektriciteitsnoer moet stevig in contact blijven met het stopcontact, anders kan er brand ontstaan.
- Zodra de koelkast op zijn plaats is geïnstalleerd, moet de stekker gemakkelijk toegankelijk zijn om het verwijderen ervan bij een ongeval te vergemakkelijken.
- Koppel de koelkast nooit los door aan het netsnoer te trekken. Om de stekker te verwijderen, houdt u deze vast en trekt u hem uit het stopcontact.
- Zorg ervoor dat u het netsnoer niet beknelt met de behuizing van de koelkast en dat u er niet op gaat staan.
- Wees zeer voorzichtig bij het hanteren van de koelkast. Rol het snoer van het apparaat nooit op.
- Als de voedingskabel beschadigd is of de stekker versleten is, mag u het product niet gebruiken. In dat geval moet het vervangen van de voedingskabel of stekker worden uitgevoerd in de door de fabrikant aangewezen reparatiewerkplaats of door een bevoegde professional.
- In geval van gaslekage sluit u de lekkende klep en opent u vervolgens de deuren en ramen om te ventileren. Steek of verwijder nooit het stopcontact in de koelkast.
- Bewaar of gebruik nooit benzine of andere brandbare stoffen in de directe omgeving van de koelkast om brand te voorkomen.
- Plaats nooit brandbare en explosieve stoffen, zeer bijtende zuren of alkaliën, enz. in de koelkast.
- Voorkom schade aan het koelcircuit.
- Voorkom dat kinderen met het product spelen, omdat ze daarin vast kunnen komen te zitten.
- Voorkom dat kinderen aan de deur gaan hangen om letsel door het kantelen van de deur of het draaien van de koelkast te voorkomen.
- Voorkom dat kinderen hun handen of voeten in verschillende soorten geperforeerde gaten en zijranden van het mechanische compartiment, de achterplaat of andere metalen beschermende delen van de koelkast steken om letsel te voorkomen.
- Spuit of spoel de koelkast nooit af met water, en plaats de koelkast niet op een plek die is blootgesteld aan vocht of opspattend water. Vul de koelkast nog minder met water, om te voorkomen dat de elektrische isolatie van de koelkast wordt aangetast. Bovendien kan het niet naleven van deze eisen elektrische schokken, brand of andere ongelukken veroorzaken.
- Nadat u de koelkast heeft gebruikt, mag u de binnenkant nooit aanraken, vooral niet als uw handen nat zijn, anders kan uw huid aan de binnenkant blijven plakken en letsel veroorzaken.

- Verwijder of wijzig de koelkast nooit zonder toestemming; dit kan schade aan het koelkastcircuit veroorzaken. Reparatie van de koelkast moet worden uitgevoerd door een competente professional.
- Bewaar geen vloeibare levensmiddelen in flessen in de vriesruimte.
- Plaats geen bevroren producten die rechtstreeks uit de vriezer komen (ijslolly's, ijsblokjes, enz.) in uw mond, aangezien hun lage temperatuur ernstige brandwonden kan veroorzaken. Laat ze een paar minuten rusten.
- Houd de koelkast uit de buurt van ontstekingsbronnen om ongelukken te voorkomen.
- Alleen technisch servicepersoneel kan de koelkast onderhouden en onprofessionele deelname kan gevaarlijk zijn voor gebruikers.
- Zorg er bij het plaatsen van het apparaat voor dat het netsnoer niet bekneld of beschadigd raakt.
- Plaats niet meerdere draagbare stopcontacten of draagbare voedingen aan de achterkant van het apparaat.
- Wanneer u het apparaat weggooit, doe dit dan alleen bij een erkend afvalverwerkingscentrum. Lever de koelkast af op de aangewezen afvallocatie.
- Stel de koelkast niet bloot aan vlammen.
- Om voedselbesmetting te voorkomen, volgt u de volgende instructies:
 - Het langdurig openen van de deur kan een aanzienlijke temperatuurstijging in de compartimenten van het apparaat veroorzaken.
 - Reinig periodiek oppervlakken die in contact kunnen komen met voedsel en toegankelijke afvoersystemen.
 - Bewaar rauw vlees en vis in geschikte containers in de koelkast, zodat ze niet in contact komen met of druipen van andere voedingsmiddelen.
 - Tweesterren-diepvriesvakken zijn geschikt voor het bewaren van bevroren levensmiddelen en het maken van ijsblokjes.
 - De één-, twee- en driesterrencompartimenten zijn niet geschikt voor het invriezen van verse levensmiddelen.
- Als het koelapparaat langere tijd leeg blijft, schakel dan de koelkast uit, ontdooi, reinig, droog en laat de deur open staan om schimmelvorming in het apparaat te voorkomen.

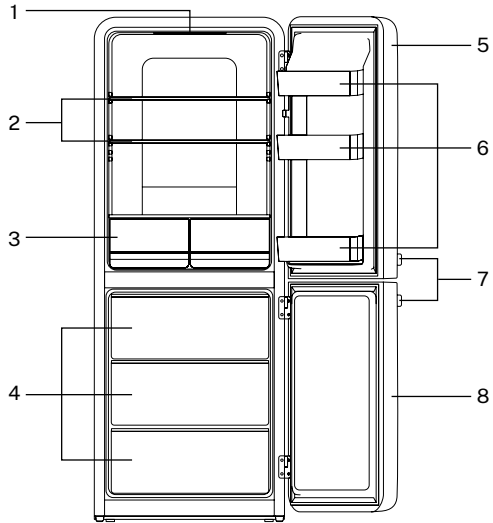


Koelmiddel

- In het koelcircuit van het apparaat bevindt zich het koelmiddel isobutaan (R600a), een aardgas met een hoge mate van milieuvriendelijkheid, maar dat echter brandbaar is. Zorg er tijdens het transport en de installatie van het apparaat voor dat geen enkel onderdeel van het koelcircuit wordt beschadigd.
- Het koelmiddel (R600a) is brandbaar.
- Als het koelcircuit beschadigd is:
 - Vermijd open vuur en ontstekingsbronnen.
 - Ventileer de ruimte waarin het apparaat staat goed.

LIJST MET ONDERDELEN

1. LED verlichting
2. Glazen planken
3. Laden
4. Diepvriesladen
5. Koelkastdeur
6. Deur planken
7. Handvatten
8. Vriezer deur



FACILITEIT

Lees de handleiding zorgvuldig door voordat u uw nieuwe koelkast installeert en volg deze instructies:

1. Plaats de koelkast op een stabiele en vlakke vloer, zodat deze minder geluid maakt. Zorg ervoor dat de vloer stevig genoeg is om het gewicht te dragen wanneer deze volledig gevuld is.
2. Als je de koelkast op een tapijt gaat plaatsen, plaats dan een houten plank tussen het tapijt en de koelkast. Houd er rekening mee dat het plaatsen van de koelkast op een tapijt ervoor kan zorgen dat de hitte van de compressor het tapijt verkleurt.
3. Dit apparaat is ontworpen om op zichzelf te staan en niet om ingebouwd of op een standaard gemonteerd te worden.
4. Kantel de koelkast niet meer dan 45° wanneer u deze verplaatst.
5. Vermijd plaatsen waar het apparaat wordt blootgesteld aan zonlicht, warmtebronnen (kachel, radiator, enz.), extreem lage omgevingstemperaturen of hoge luchtvochtigheid. Door het in het koelste deel van de kamer te installeren, bespaart u energie.

Breekbaar! Oefen geen kracht uit op onderdelen zoals de condensor of deuren. De metalen rails onder de koelkast kunnen scherpe randen hebben, dus pak deze altijd voorzichtig uit. Sleep de koelkast niet, plaats hem voorzichtig op zijn plaats zodat hij geen krassen op de vloer maakt.

RUIMTEVEREISTEN

- Installeer de koelkast zo dat u voldoende ruimte heeft om de deur te openen.
- Laat een minimale ruimte van 100 mm vrij aan de achterkant van de koelkast om ervoor te zorgen dat de lucht vrij kan circuleren, zodat de compressor en condensor kunnen afkoelen. Laat ook minimaal 50 mm ruimte vrij aan de bovenkant van de koelkast en 50 mm aan elke kant.

NIVELLERING

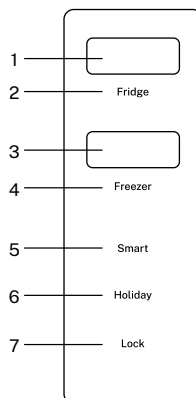
- Om goed te kunnen functioneren moet het apparaat waterpas staan. Als ze niet goed waterpas zijn geplaatst, worden de uitlijning van de deuren en de magnetische afdichting niet goed afgedekt.
- Om de koelkast waterpas te zetten, stelt u één of beide stelvoetjes op de basis af.

VÓÓR HET EERSTE GEBRUIK

1. Maak de koelkast schoon. Maak de behuizing van de koelkast niet rechtstreeks met water schoon en gebruik geen benzine of andere oplosmiddelen voor het reinigen.
2. Zorg ervoor dat de koelkast goed waterpas staat.
3. Nadat u de koelkast waterpas heeft gezet en schoongemaakt, mag u deze niet onmiddellijk inschakelen. Houd de koelkast minimaal 24 uur uitgeschakeld om een normale werking te garanderen.
4. Sluit de koelkastdeuren en steek het netsnoer in het stopcontact. Controleer voordat u de koelkast aansluit of uw stopcontact een correcte aardaansluiting heeft.
5. Als het netsnoer beschadigd is, moet het worden vervangen door een professional van de fabrikant, de reparatieafdeling of een soortgelijke afdeling om elk gevaar te voorkomen.
6. Zodra de stroomtoevoer is ingeschakeld, begint de koelkast te werken. Als de koelkast langere tijd niet werkt, controleer dan of het stopcontact en het elektrische circuit normaal werken. Als een half uur later na het openen van de koelkastdeur een plotselinge temperatuurdaling wordt waargenomen, werkt de koelkast normaal.
7. Pas na 3 of 4 uur de temperatuur aan en vul het voedsel volgens de instructies. Het is normaal dat de compressor langer draait tijdens de eerste verstopping en daarna met tussenpozen draait.
8. Stop de koelkast in het algemeen niet, om de normale levensduur ervan niet te beïnvloeden. Nadat u de stekker uit het stopcontact heeft gehaald, wacht u minimaal 5 minuten voordat u de stekker weer in het stopcontact steekt, om een normale werking van de koelkast te garanderen.
9. Schakel de stroomvoorziening van de koelkast niet uit als dit niet nodig is, aangezien een onderbreking van de stroomvoorziening een stijging van de temperatuur in de koelkast kan veroorzaken, waardoor de bewaarperiode van voedsel wordt verkort.
10. Zorg voor wat ruimte tussen de voedselcontainers om de circulatie van frisse lucht te vergemakkelijken.

CONTROLEPANEEL

1. Koelkast weergave
2. Koelkast en snelkoelknop
3. Diepvries scherm
4. Vriezer knop
5. Slimme modusknop
6. Knop voor vakantiemodus
7. Vergrendelknop



Koelkastinstellingen

- Druk op de koelkastknop om de koelkasttemperatuur te wijzigen.
- De instellingen van het koelgedeelte kunnen cyclisch worden aangepast tussen 8°C en 2°C.
- De ingestelde temperatuur van het koelkastcompartiment wordt weergegeven op het eerste display van het bedieningspaneel.

Vriezer instellingen

- Druk op de vriezerknop om de vriezertemperatuur te wijzigen.
- De instellingen van het vriesgedeelte kunnen cyclisch worden aangepast tussen -14°C en -24°C.
- De ingestelde temperatuur van het vriesvak wordt weergegeven op het tweede display van het bedieningspaneel.

Slimme modus

- Druk drie seconden op de Smart-knop om de Smart-modus te openen of te sluiten.
- Deze modus stelt de temperatuur van het vriesgedeelte automatisch in op -18°C en het koelgedeelte op 5°C.

Vakantiemodus

- Druk drie seconden op de Vakantieknop om naar de vakantiemodus te gaan.
- Wanneer de vakantiemodus wordt ingeschakeld, licht het pictogram van de vakantieknop op en verschijnt op het eerste scherm van het bedieningspaneel “----”.
- Wanneer u de koelkast langere tijd niet hoeft te gebruiken, kunt u de vakantiemodus instellen. Zo bespaart u stroom.
- Wanneer de koelkast in de vakantiemodus staat, is het koelgedeelte ingesteld op 15°C. Wanneer u deze optie instelt, moet u het voedsel uit de koelkast halen, anders kan het bederven.
- Om de vakantiemodus te verlaten, wijzigt u de temperatuur van het koelgedeelte, in de snelle koelmodus of drukt u op de vakantieknop.
- Wanneer u de vakantiemodus verlaat, werkt het vriesgedeelte normaal volgens de ingestelde temperatuur in het vriesgedeelte.

Snelle koelmodus

- Druk gedurende 3 seconden op de vriezerknop of koelkastknop om de snelle koelmodus te openen of te sluiten.

Blokkeren

1. Het bedieningspaneel blijft altijd vergrendeld om onbedoeld gebruik te voorkomen.
2. Om de vergrendelingsfunctie uit te schakelen en het paneel weer in te schakelen, houdt u de knop 3 seconden ingedrukt.
3. Als het paneel is ontgrendeld, wordt het 1 minuut na het sluiten van de deur van het koelkastcompartiment automatisch weer vergrendeld.

ZORG EN ADVIES

ENERGIEBESPAREND

- Wacht tot warme gerechten en dranken zijn afgekoeld voordat u ze in de koelkast plaatst.
- Overbelast de koelkast niet, omdat de compressor hierdoor langer moet draaien.
- Verpak het voedsel goed, maak de bakjes schoon en droog ze voordat u ze in de koelkast plaatst, om ijsvorming te voorkomen.
- Bekleed geen koelgedeelte met aluminiumfolie, vetvrij papier of papieren servetten. Elke voering interfereert met de bloedsomloop, waardoor de efficiëntie wordt verminderd.
- Bewaar voedsel zo dat er lucht omheen kan stromen.
- Laat de koelkastdeur niet langer openstaan dan nodig is.
- Zorg ervoor dat voedsel de achterkant van de compartimenten niet raakt.
- Zet de thermostaat niet op een extreem lage temperatuur.

VERPLAATS DE KOELKAST

1. Haal de stekker van de koelkast uit het stopcontact en verwijder al het voedsel uit de koelkast.
2. Sluit de deuren en het netsnoer en plak ze vast aan de achterkant van de koelkast. Haal alle verwijderbare onderdelen eruit, wikkel ze goed in en plak ze vast zodat ze niet bewegen tijdens de verplaatsing.
3. Afhankelijk van het model kunt u de voorkant van de koelkast omhoog zetten, zodat deze gemakkelijker kan rollen, of de stelvoetjes omhoog draaien, zodat deze geen krassen op de vloer maken.

VOORZICHTIG! Til de koelkast nooit aan de deur op.

4. Bescherm de buitenkant van het product met een deken of een zacht, opgevuld voorwerp en zorg ervoor dat de koelkast tijdens transport veilig en rechtop blijft staan.

VERANDERING VAN EENHEDEN

Om te wisselen tussen Celsius (°C) en Fahrenheit (°F), houd je de Smart en Holiday toetsen tegelijkertijd 3 seconden ingedrukt.

SCHOONMAAK

Koppel het apparaat los van het stopcontact voordat u het schoonmaakt.

Interne reiniging.

- Giet geen water op het apparaat.
- Maak de ovenruimte regelmatig schoon met een oplossing op basis van zuiveringszout en warm water (5 ml/0,5 l water).
- Accessoires afzonderlijk reinigen met water en zeep. Plaats ze niet in de vaatwasser.
- Gebruik geen schurende producten, schoonmaakmiddelen of zeep.
- Spoel de accessoires na het reinigen af met schoon water en droog ze zorgvuldig af.
- Wanneer u klaar bent met het schoonmaken van de hele koelkast, steekt u de stekker met droge handen weer in het stopcontact.

Externe reiniging.

- Maak de buitenkant schoon met warm zeepsop. Gebruik geen schurende producten.
- Er zitten scherpe elementen op de onderste delen van het product, wees voorzichtig bij het schoonmaken.
- Verwijder één of twee keer per jaar het stof van de achterkant van de koelkast en de compressor aan de achterkant met een borstel of stofzuiger. Een ophoping van stof kan de prestaties van het apparaat negatief beïnvloeden en een toename van het energieverbruik veroorzaken.

WAARSCHUWING!

- Maak het apparaat nooit schoon met zure, schurende, olieachtige schoonmaakmiddelen op oplosmiddelbasis, schuursponsjes of schuursponsjes. Gebruik nooit ontvlambare vloeistoffen of sprays voor het reinigen, aangezien de gassen die door deze stoffen vrijkomen brand- of explosiegevaar kunnen veroorzaken.
- Maak het apparaat nooit schoon met een stoomreiniger. Er kan zich vocht ophopen op elektrische componenten, waardoor er gevaar voor een elektrische schok bestaat! Hete dampen kunnen schade aan kunststof onderdelen veroorzaken.
- Het apparaat moet volledig droog zijn voordat u het weer in gebruik neemt.
- Essentiële oliën en organische oplosmiddelen kunnen plastic onderdelen (zoals citroensap of het sap van de schil van een sinaasappel) of schoonmaakmiddelen die azijnzuur bevatten, aantasten. Zorg ervoor dat deze stoffen niet in contact komen met enig onderdeel van het apparaat.

VOEDSELOPSLAG

- Voordat u voedsel in uw koelkast bewaart, moet u ervoor zorgen dat uw voedsel, vooral voedsel dat water bevat, in goed verpakte plastic zakken of containers met goede afdichting wordt geplaatst om onverwachte geuren of uitdroging te voorkomen.
- Heet of warm voedsel moet na het afkoelen in de koelkast worden geplaatst om energie te besparen.
- Laat voldoende ruimte tussen de levensmiddelen voor een betere luchtventilatie in de koelkast.
- Het is beter om voedsel in stukjes te bewaren dan in hele stukken.
- Berg groenten en fruit en flessen drank op na het schoonmaken.
- Bewaar groenten en fruit in de groentelade, zodat ze vers blijven.
- Houd voedsel vers en warm op kamertemperatuur, uit de buurt van producten die al bevroren zijn.
- Om producten in te vriezen, gebruikt u de ruimte gemarkeerd met: ❄️❄️❄️
- De bewaartijd van diepgevroren producten is afhankelijk van de kwaliteit vóór het invriezen als ze vers zijn en van de bewaartemperatuur. De volgende opslagperioden worden aanbevolen wanneer de temperatuur op -18°C of lager wordt gehouden:

Producten	Maanden
Rundvlees	6-8
Kalfsvlees	3-6
Ingewanden	1-2

Producten	Maanden
Varken	3-6
Gevogelte	6-8
Vis	3-6

PRODUCTVERWIJDERING

Zorg ervoor dat alle sluitingen onbruikbaar zijn, verwijder de deur(en) en voer ze afzonderlijk af. Waarschuwing voor chemische risico's: Laat kinderen niet met oude apparaten spelen.

Neem voor meer informatie over de sloopprocedure contact op met uw betreffende gemeente.

- Voordat u een oud apparaat weggooit, moet u ervoor zorgen dat het is uitgeschakeld en veilig is. Haal de stekker van het apparaat uit het stopcontact en breek eventuele sloten om te voorkomen dat kinderen bekneld raken.
- Let op: Het koelsysteem bevat gas en koelmiddelen die gespecialiseerd afvalbeheer vereisen.
- U kunt bijdragen aan het milieubewustzijn door aan te dringen op passende en niet-vervuilende verwijderingsmethoden.
- Laat huisdieren en kinderen niet met de verpakking spelen en voer plastic zakken veilig af.
- Je kunt het karton verscheuren of in kleinere stukjes snijden en recyclen. De wikkels zijn gemaakt van polyethyleen. De vulling en vulling van polyethyleen bevatten geen gefluoreerde koolwaterstoffen en zijn daarom geschikt voor recycling.

WAARSCHUWING! Om te voorkomen dat kinderen tijdens het spelen binnen worden opgesloten, als dit apparaat wordt gebruikt ter vervanging van een ander apparaat met slot:

- Breek of verwijder de sluiting als veiligheidsmaatregel voordat u deze opbergt.
- Verwijder de deuren.
- Laat de planken op hun plek zitten, zodat kinderen er niet gemakkelijk in kunnen klimmen.
- Knip de aansluitkabel zo dicht mogelijk bij het toestel door.
- Als dit apparaat, met een magnetische deurafdichting, een oud apparaat moet vervangen dat een veersluiting op de deur of het deksel heeft, maak dan de veersluiting onbruikbaar voordat u het oude apparaat weggooit. Dit verkleint het risico dat kinderen of dieren erin vast komen te zitten.

PROBLEEM OPLOSSING

PROBLEEM	OORZAAK/OPLOSSING
De koelkast werkt niet	Het is niet aan. Sluit hem aan op een geaard stopcontact.
	Er is geen stroming. Controleer of de stekker niet defect is.
	Zekering is doorgebrand/stroomonderbreker is geactiveerd. Neem contact op met uw servicevertegenwoordiger.
	Zorg ervoor dat de spanning correct is voor dit apparaat.
De temperatuur in het apparaat is niet koud genoeg.	Er is onlangs veel warm eten toegevoegd. Wacht enkele uren totdat het weer op de normale temperatuur is.
	De bedieningselementen zijn niet correct ingesteld op de omgevingsomstandigheden.
	Controleer of het apparaat niet wordt blootgesteld aan direct zonlicht of te dicht bij een warmtebron.
	Controleer of de omgevingstemperatuur binnen de bedrijfslimieten van het apparaat ligt.
	De deuren van het apparaat worden regelmatig geopend. Zodra de deur wordt geopend, komt vocht uit de kamerlucht het apparaat binnen, vooral als de luchtvochtigheid in de kamer erg hoog is. Hoe vaker de deur wordt geopend bij nat weer, hoe groter de kans op vochtophoping.
	De deur is niet gesloten.
	De rubberen pakking is niet goed afgedicht.
De koelkast heeft niet voldoende ruimte om vanaf de achterkant en zijkanten te ventileren.	
De temperatuur in de koelkast is te laag.	Verhoog de temperatuur door de thermostaat op een lagere stand te zetten. Het hoogste vermogen mag alleen worden gebruikt als snelle koelmodus en mag slechts twee uur worden ingesteld voordat een grote hoeveelheid voedsel moet worden bewaard. Als u dit niet doet, kan de temperatuur onder de 0°C komen, omdat de compressor continu in bedrijf is.
Condensatie aan de binnen-/buitenzijde van de koelkastwanden.	Hete en vochtige klimaten verhogen de vorming van vorst binnenshuis. Het is normaal.
Slechte geur.	Controleer of het eten en drinken dat u in de koelkast heeft staan niet over de houdbaarheidsdatum is en goed is verpakt. Als dit niet het geval is, gooi het dan weg of berg het goed op.
	Zorg ervoor dat er niets is gemorst. Elke lekkage die onbeheerd wordt achtergelaten en niet wordt opgeruimd, kan ongewenste geuren veroorzaken.
De deuren sluiten niet goed.	Zorg ervoor dat er geen voorwerpen zijn die het sluiten van de deur belemmeren.
	Controleer of zowel de planken als de compartimenten goed op hun plaats zitten.
	Controleer of de deurpakking niet vervormd of gescheurd is.
	Zorg ervoor dat het apparaat waterpas staat.

PROBLEEM	OORZAAK/OPLOSSING
De deur gaat niet open.	Als u juist de deur heeft geopend, wacht dan een paar minuten totdat de luchtdruk gelijk is voordat u het opnieuw probeert.
Rare geluiden.	Controleer of het apparaat op een vlakke, vlakke en stabiele ondergrond staat.
	Kijk rond in de koelkast en zorg ervoor dat u geen andere voorwerpen aanraakt.
	Gorgelend en borrelend geluid: geproduceerd door de passage van koelvloeistof door de systeemleidingen. Dit geluid is normaal.
	Geluid van stromend water: Dit is normaal, dit is water dat tijdens het ont-dooiproces door de afvoer stroomt.
	Als het apparaat luid draait (compressorgeluid): Het is normaal. Geeft aan dat de compressor normaal werkt. Wanneer de compressor wordt ingeschakeld, kan deze gedurende een korte periode geluid maken.
	Het samentrekken en uitzetten van de binnenkant van de muren kan knallen- en kliekgeluiden veroorzaken.
De compressor draait de hele tijd.	De temperatuur is te laag ingesteld, selecteer een hogere temperatuur.
	De deur staat open of iets blokkeert de sluiting.
	De rubberen afdichtingen zijn versleten, vuil of beschadigd.
	Er is een grote hoeveelheid voedsel in de koelkast geplaatst.
	De kamertemperatuur is hoger dan normaal.
Het oppervlak buiten de koelkast is heet.	Buitenmuren kunnen warmer zijn dan kamertemperatuur. Het is normaal dat de compressor warmte aan de binnenkant van de koelkast onttrekt.



In overeenstemming met de richtlijnen: 2012/19 / EU en 2015/863 / EU betreffende de beperking van het gebruik van gevaarlijke stoffen in elektrische en elektronische apparatuur, evenals hun afvalverwerking. Het symbool met de gekruiste vuilnisbak op de verpakking geeft aan dat het product aan het einde van zijn levensduur als gescheiden afval wordt ingezameld. Daarom moet elk product dat het einde van zijn levensduur heeft bereikt, worden afgeleverd bij gespecialiseerde afvalverwijderingscentra voor de selectieve inzameling van afgedankte elektrische en elektronische apparatuur, of bij de aankoop van soortgelijke nieuwe apparatuur in één keer aan de detailhandelaar worden geretourneerd. voor één basis. Een juiste gescheiden inzameling voor latere inbedrijfstelling van apparatuur die wordt verzonden om te worden gerecycled, behandeld en op milieuvriendelijke wijze afgevoerd, helpt mogelijke negatieve effecten op het milieu en de gezondheid te voorkomen en optimaliseert recycling en hergebruik van de componenten waaruit het apparaat bestaat. De onrechtmatige eliminatie van het product door de gebruiker impliceert de toepassing van administratieve sancties in overeenstemming met de wetten.

Dziękujemy za wybranie naszej lodówki. Przed użyciem tego urządzenia oraz w celu zapewnienia jego najlepszego użytkowania prosimy o dokładne zapoznanie się z podstawowymi instrukcjami bezpieczeństwa.

Wymienione tutaj środki bezpieczeństwa zmniejszają ryzyko pożaru, porażenia prądem elektrycznym i obrażeń, jeśli są przestrzegane. Prosimy zachować instrukcję w bezpiecznym miejscu do wykorzystania w przyszłości, a także dowód sprzedaży i pudełko. Jeśli ma to zastosowanie, przekaż tę instrukcję przyszłemu właścicielowi urządzenia. Podczas korzystania z urządzenia elektrycznego należy zawsze przestrzegać podstawowych instrukcji bezpieczeństwa i środków zapobiegania zagrożeniom. Producent nie ponosi odpowiedzialności za jakiegokolwiek szkody powstałe na skutek niezastosowania się użytkownika do niniejszej instrukcji.

INSTRUKCJE BEZPIECZEŃSTWA

Przed użyciem jakiegokolwiek urządzenia elektrycznego należy uważnie przeczytać poniższe podstawowe środki ostrożności.

- To urządzenie jest przeznaczone do użytku w domu lub podobnym otoczeniu, na przykład: w kuchniach dla personelu w sklepach, biurach i innych miejscach pracy, w domkach letniskowych i przez klientów w hotelach, motelach i innych obiektach typu mieszkalnego, typu bed and breakfast, cateringu i podobnych aplikacje inne niż detaliczne.
- To urządzenie może być używane przez dzieci w wieku 8 lat i starsze oraz osoby o ograniczonych zdolnościach fizycznych, sensorycznych lub umysłowych lub nieposiadające doświadczenia i wiedzy, jeśli znajdują się pod nadzorem lub zostały poinstruowane na temat bezpiecznego korzystania z urządzenia i rozumieją związane z tym zagrożenia .
- Dzieci nie powinny bawić się urządzeniem. Czyszczenie i konserwacja urządzenia nie powinny być wykonywane przez dzieci bez nadzoru.
- Jeśli przewód zasilający jest uszkodzony, musi zostać wymieniony przez producenta, jego przedstawiciela serwisowego lub podobnie wykwalifikowaną osobę, aby uniknąć zagrożenia.
- Utrzymuj otwory wentylacyjne wolne od przeszkód.
- Nie należy używać urządzeń mechanicznych ani innych środków przyspieszających proces rozmrażania innych niż zalecane przez producenta.
- Nie używaj urządzeń elektrycznych w komorach do przechowywania żywności w urządzeniu, chyba że są one typu zalecanego przez producenta.
- W przypadku urządzeń wykorzystujących łatwopalne gazy izolacyjne tylko serwisant lub podobnie wykwalifikowany personel może usunąć łatwopalne gazy izolacyjne zawarte w urządzeniu.
- Nie przechowuj w tym urządzeniu substancji wybuchowych, takich jak puszki aerozolowe z łatwopalnym gazem pędym.
- Aby uniknąć niebezpieczeństwa wynikającego z niestabilności urządzenia, należy je zamocować zgodnie ze wskazówkami podanymi w instrukcji.
- To urządzenie chłodnicze nie jest przeznaczone do zabudowy.

- Upewnij się, że zasilacz spełnia wymagania wskazane na etykiecie informacyjnej produktu.
- Użyj oddzielnego gniazdka elektrycznego o natężeniu co najmniej 10 A i urządzenia uziemiającego. Nigdy nie używaj transformatora ani przedłużacza do zasilania elektrycznego.
- We wszystkich przypadkach gniazdko musi być podłączone do przewodu uziemiającego. Nigdy nie modyfikuj przewodu zasilającego i/lub wtyczki.
- Wtyczka przewodu zasilającego musi mieć solidny kontakt z gniazdkiem, w przeciwnym razie może dojść do pożaru.
- Po zainstalowaniu lodówki wtyczka musi być łatwo dostępna, aby ułatwić jej wyjęcie w razie wypadku.
- Nigdy nie odłączaj lodówki, ciągnąc za przewód zasilający. Aby wyjąć wtyczkę, przytrzymaj ją i wyciągnij z gniazdka.
- Należy unikać zgniatania przewodu zasilającego korpusem lodówki lub nadeptnięcia na niego.
- Podczas obchodzenia się z lodówką należy zachować szczególną ostrożność. Nigdy nie zwijaj przewodu urządzenia.
- Jeśli linia zasilająca jest uszkodzona lub wtyczka jest zużyta, nie używaj produktu. W takim przypadku wymianę przewodu zasilającego lub wtyczki należy zlecić warsztatowi wyznaczonemu przez producenta lub kompetentnemu fachowcowi.
- W przypadku wycieku gazu zamknij nieszczelny zawór, a następnie otwórz drzwi i okna, aby przewietrzyć. Nigdy nie wkładaj ani nie wyjmuj gniazdka elektrycznego z lodówki.
- Nigdy nie przechowuj ani nie używaj benzyny lub innych substancji łatwopalnych w bezpośrednim sąsiedztwie lodówki, aby uniknąć pożaru.
- Nigdy nie umieszczaj substancji łatwopalnych i wybuchowych, silnie żrących kwasów lub zasad itp. w lodówce.
- Unikaj uszkodzenia obwodu chłodniczego.
- Nie pozwalaj dzieciom bawić się produktem, ponieważ mogą zostać uwięzione w środku.
- Należy zapobiegać zawieszaniu się dzieci na korpusie drzwi, aby uniknąć obrażeń w wyniku przechylenia korpusu drzwi lub obracania się lodówki.
- Aby uniknąć obrażeń, należy zapobiegać wkładaniu rąk lub stóp przez dzieci do różnego rodzaju perforowanych otworów i bocznych krawędzi komory mechanicznej, tylnej płyty lub innych metalowych części ochronnych lodówki.
- Nigdy nie spryskuj ani nie płucz lodówki wodą, ani nie umieszczaj lodówki w miejscu narażonym na wilgoć lub rozpryski wody, a tym bardziej nie napełniaj lodówki wodą, aby uniknąć uszkodzenia izolacji elektrycznej lodówki. Ponadto nieprzestrzeganie tych wymagań może spowodować porażenie prądem, pożar lub inne wypadki.
- Po użyciu lodówki nigdy nie dotykaj jej wewnętrznej powierzchni, zwłaszcza jeśli masz mokre ręce, w przeciwnym razie skóra może przykleić się do wewnętrznej powierzchni i spowodować obrażenia.

- Nigdy nie wyjmuj ani nie modyfikuj lodówki bez zezwolenia, może to spowodować uszkodzenie obwodu lodówki. Naprawę lodówki powinien przeprowadzać kompetentny fachowiec.
- Nie przechowuj butelkowanej płynnej żywności w komorze zamrażarki.
- Nie wkładaj do ust zamrożonych produktów wyjętych bezpośrednio z zamrażarki (lody, kostki lodu itp.), gdyż ich niska temperatura może spowodować poważne oparzenia. Pozwól im odpocząć przez kilka minut.
- Aby uniknąć wypadków, przechowuj lodówkę z dala od źródeł zapłonu.
- Konserwację lodówki może przeprowadzać wyłącznie personel techniczny, a nieprofesjonalne uczestnictwo w niej może być niebezpieczne dla użytkowników.
- Ustawiając urządzenie, należy uważać, aby przewód zasilający nie został przyciśnięty ani uszkodzony.
- Nie umieszczaj wielu przenośnych gniazdek elektrycznych ani przenośnych zasilaczy z tyłu urządzenia.
- Pozbywając się urządzenia, rób to wyłącznie w autoryzowanym punkcie utylizacji odpadów. Dostarcz lodówkę do wyznaczonego miejsca utylizacji.
- Nie narażaj lodówki na działanie płomieni.
- Aby uniknąć skażenia żywności, postępuj zgodnie z poniższymi instrukcjami:
 - Otwarcie drzwi na dłuższy czas może spowodować znaczny wzrost temperatury w komorach urządzenia.
 - Okresowo czyścić powierzchnie mogące mieć kontakt z żywnością oraz dostępne systemy kanalizacyjne.
 - Surowe mięso i ryby przechowuj w lodówce w odpowiednich pojemnikach, tak aby nie miały kontaktu ani nie kapały na inną żywność.
 - Dwugwiazdkowe komory na mrożonki nadają się do przechowywania wstępnie zamrożonej żywności i przygotowywania kostek lodu.
 - Komory jedno, dwu i trzygwiazdkowe nie nadają się do zamrażania świeżej żywności.
- Jeśli urządzenie chłodnicze pozostaje puste przez dłuższy czas, należy je wyłączyć, rozmrozić, wyczyścić, wysuszyć i pozostawić drzwi otwarte, aby zapobiec tworzeniu się pleśni wewnątrz urządzenia.

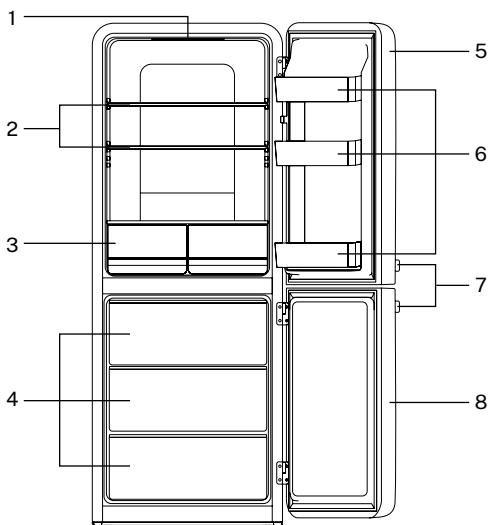


Chłodziwo

- W obiegu chłodniczym urządzenia znajduje się izobutan (R600a), gaz ziemny o wysokim stopniu przyjazności dla środowiska, który jest jednak łatwopalny. Podczas transportu i instalacji urządzenia należy zwrócić uwagę, aby żaden element obwodu chłodniczego nie uległ uszkodzeniu.
- Czynnik chłodniczy (R600a) jest łatwopalny.
- Jeżeli obwód chłodniczy jest uszkodzony:
 - Unikać otwartego ognia i źródeł zapłonu.
 - Dobrze wentyluj pomieszczenie, w którym znajduje się urządzenie.

LISTA CZĘŚCI

1. Dioda LED
2. Półki szklane
3. Szuflady
4. Szuflady zamrażarki
5. Drzwi lodówki
6. Półki na drzwiach
7. Uchwyty
8. Drzwi zamrażarki



OBIEKT

Przed instalacją nowej lodówki przeczytaj uważnie instrukcję i postępuj zgodnie z poniższymi instrukcjami:

1. Umieść lodówkę na stabilnej i równej podłodze, aby hałasowała. Upewnij się, że podłoga jest wystarczająco wytrzymała, aby utrzymać ciężar po całkowitym wypełnieniu.
2. Jeśli zamierzasz ustawić lodówkę na dywanie, umieść drewnianą deskę pomiędzy dywanem a lodówką. Należy pamiętać, że umieszczenie lodówki na dywanie może spowodować odbarwienie dywanu pod wpływem ciepła emitowanego przez sprężarkę.
3. Urządzenie to zostało zaprojektowane tak, aby mogło stać samodzielnie i nie można go wbudować ani zamontować na stojaku.
4. Podczas przenoszenia nie przechylaj lodówki o więcej niż 45°.
5. Unikaj miejsc, w których urządzenie byłoby narażone na działanie światła słonecznego, źródeł ciepła (piec, kuchenka, grzejnik itp.), bardzo niskich temperatur otoczenia lub wysokiej wilgotności. Zainstalowanie go w najfajniejszym miejscu pomieszczenia pozwoli zaoszczędzić energię.

Ostrożnie! Nie używaj siły do żadnych części, takich jak skraplacz lub drzwi. Metalowe szyny pod lodówką mogą mieć ostre krawędzie, dlatego zawsze rozpakowuj ją ostrożnie. Nie ciągnij lodówki, ustaw ją ostrożnie na swoim miejscu, aby nie zarysowała podłogi.

WYMAGANIA PRZESTRZENNE

- Zamontuj lodówkę tak, aby było wystarczająco dużo miejsca na otwarcie drzwi.
- Pozostaw minimalną przestrzeń 100 mm z tyłu lodówki, aby zapewnić swobodną cyrkulację powietrza, dzięki czemu sprężarka i skraplacz mogą się ochłodzić. Pozostaw także co najmniej 50 mm wolnego miejsca u góry lodówki i 50 mm z każdej strony.

NIWELACJA

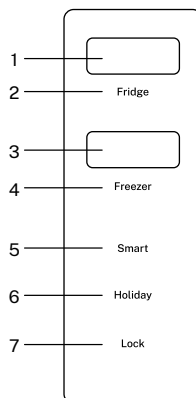
- Aby urządzenie działało prawidłowo, musi być wypoziomowane. Jeśli nie zostaną odpowiednio wypoziomowane, drzwi i wyrównanie uszczelki magnetycznej nie będą prawidłowo zakryte.
- Aby wypoziomować lodówkę, wyreguluj jedną lub obie nóżki poziomujące na jej podstawie.

PRZED PIERWSZYM UŻYCIEM

1. Wyczyść lodówkę. Nie czyść korpusu lodówki bezpośrednio wodą ani nie używaj do czyszczenia benzyny lub innych rozpuszczalników.
2. Upewnij się, że lodówka jest prawidłowo wy poziomowana.
3. Po wy poziomowaniu i wyczyszczeniu lodówki nie należy jej od razu włączać. Aby zapewnić normalne działanie, wyłącz lodówkę na co najmniej 24 godziny.
4. Zamknij drzwi lodówki i włóż przewód zasilający. Przed podłączeniem lodówki sprawdź, czy gniazdko elektryczne ma prawidłowe uziemienie.
5. Jeśli przewód zasilający jest uszkodzony, powinien zostać wymieniony przez specjalistę producenta, jego dział napraw lub podobny dział, aby uniknąć niebezpieczeństwa.
6. Po włączeniu zasilania lodówka zacznie działać. Jeśli lodówka nie działa przez dłuższy czas, sprawdź, czy gniazdko i obwód elektryczny działają prawidłowo. Jeśli w ciągu pół godziny po otwarciu drzwi lodówki zostanie wykryty nagły spadek temperatury, oznacza to, że lodówka działa normalnie.
7. Po 3 lub 4 godzinach dostosuj temperaturę, a następnie uzupełnij potrawę zgodnie z instrukcją. To normalne, że sprężarka pracuje dłużej podczas pierwszego podłączenia, a następnie pracuje z przerwami.
8. Ogólnie rzecz biorąc, nie należy zatrzymywać lodówki, aby nie wpłynęła na jej normalną żywotność. Po wyjęciu wtyczki z przewodu zasilającego należy odczekać co najmniej 5 minut przed jej ponownym podłączeniem, aby zapewnić normalną pracę lodówki.
9. Nie wyłączaj zasilania lodówki, gdy nie jest to konieczne, gdyż przerwa w dostawie prądu może spowodować wzrost temperatury wewnątrz lodówki, a tym samym skrócenie okresu przechowywania żywności.
10. Zachowaj odstępek pomiędzy pojemnikami z żywnością, aby ułatwić cyrkulację świeżego powietrza.

PANEL STEROWANIA

1. Wyświetlacz lodówki
2. Lodówka i przycisk szybkiego chłodzenia
3. Ekran zamrażarki
4. Przycisk zamrażarki
5. Przycisk trybu inteligentnego
6. Przycisk trybu wakacyjnego
7. Przycisk blokujący



Ustawienia lodówki

- Naciśnij przycisk chłodziarki, aby zmienić temperaturę chłodziarki.
- Ustawienia komory chłodziarki można regulować cyklicznie w zakresie od 8°C do 2°C.
- Ustawiona temperatura komory chłodziarki jest wyświetlana na pierwszym wyświetlaczu panelu sterowania.

Ustawienia zamrażarki

- Naciśnij przycisk zamrażarki, aby zmienić temperaturę zamrażarki.
- Ustawienia komory zamrażarki można regulować cyklicznie w zakresie od -14°C do -24°C .
- Ustawiona temperatura komory zamrażarki zostanie wyświetlona na drugim wyświetlaczu panelu sterowania.

Tryb inteligentny

- Naciśnij przycisk Smart przez trzy sekundy, aby wejść lub wyjść z trybu inteligentnego.
- Tryb ten automatycznie ustawia temperaturę w komorze zamrażarki na -18°C , a w komorze chłodziarki na 5°C .

Tryb wakacyjny

- Naciśnij przycisk Wakacje na trzy sekundy, aby przejść do trybu wakacyjnego.
- Po przejściu do trybu wakacyjnego ikona przycisku wakacyjnego zostanie podświetlona, a na pierwszym ekranie panelu sterowania wyświetlony zostanie komunikat „----”.
- Możesz ustawić tryb wakacyjny, gdy nie musisz korzystać z lodówki przez dłuższy czas, oszczędzając w ten sposób energię elektryczną.
- Gdy lodówka znajduje się w trybie wakacyjnym, temperatura komory chłodziarki jest ustawiona na 15°C . Po włączeniu tej opcji należy wyjąć żywność z lodówki, w przeciwnym razie może się zepsuć.
- Aby wyjść z trybu wakacyjnego, należy zmienić temperaturę w komorze chłodziarki, włączyć tryb szybkiego chłodzenia lub nacisnąć przycisk Wakacje.
- Po wyjściu z trybu wakacyjnego komora zamrażarki będzie działać normalnie, zgodnie z ustawioną temperaturą w komorze zamrażarki.

Tryb szybkiego chłodzenia

- Naciśnij przycisk zamrażarki lub przycisk lodówki na 3 sekundy, aby wejść lub wyjść z trybu szybkiego chłodzenia.

Bloking

1. Panel sterowania pozostaje zablokowany przez cały czas, aby zapobiec niezamierzonemu użyciu.
2. Aby wyłączyć funkcję blokady i odblokować panel, naciśnij i przytrzymaj przycisk przez 3 sekundy.
3. Jeśli panel został odblokowany, automatycznie zablokuje się ponownie po upływie 1 minuty od zamknięcia drzwi komory chłodziarki.

OPIEKA I PORADY

OSZCZĘDZANIE ENERGII

- Poczekaj, aż gorące potrawy i napoje ostygną, zanim włożysz je do lodówki.
- Nie przeciążaj lodówki, ponieważ powoduje to dłuższą pracę sprężarki.
- Dobrze zawiń żywność, wyczyść i wysusz pojemniki przed włożeniem ich do lodówki, aby uniknąć tworzenia się szronu.
- Nie wyścielaj żadnej komory lodówki folią aluminiową, papierem do pieczenia lub papierowymi serwetkami. Każda podszewka zakłóca krążenie, zmniejszając wydajność.
- Przechowuj żywność w taki sposób, aby powietrze mogło wokół niej przepływać.
- Nie zostawiaj drzwi lodówki otwartych dłużej niż to konieczne.
- Upewnij się, że żywność nie dotyka tylnej części przegródek.
- Nie ustawiaj termostatu na bardzo niską temperaturę.

PRZESUŃ LODÓWKĘ

1. Odłącz lodówkę od prądu i wyjmij całą żywność ze środka.
2. Zamknij i przyklej taśmą drzwi oraz przewód zasilający do tylnej części lodówki. Wyjmij wszystkie zdejmowane części, dobrze je owiń i przyklej taśmą, aby nie poruszały się podczas przenoszenia.
3. W zależności od modelu podnieś przód lodówki, aby ułatwić jej przesuwanie lub przykręć nóżki poziomujące, aby nie porysowały podłogi.

OSTROŻNY! Nigdy nie podnoś lodówki za drzwi.

4. Chronić zewnętrzną część produktu kocem lub miękkim, wyściełanym przedmiotem i upewnij się, że lodówka pozostaje stabilna i pionowa podczas transportu.

ZMIANA JEDNOSTEK

Aby przełączać między stopniami Celsjusza (°C) i Fahrenheita (°F), naciśnij i przytrzymaj jednocześnie przyciski Smart i Holiday przez 3 sekundy.

CZYSZCZENIE

Przed czyszczeniem odłącz urządzenie od gniazdka elektrycznego.

Sprzątanie wewnętrzne.

- Nie polewaj urządzenia wodą.
- Regularnie czyść ubytek roztworem na bazie sody oczyszczonej i ciepłej wody (5ml/0,5l wody).
- Czyść akcesoria oddzielnie wodą i mydłem. Nie wkładaj ich do zmywarki.
- Nie używaj produktów ściernych, detergentów i mydeł.
- Po wyczyszczeniu akcesoriów należy je opłukać czystą wodą i dokładnie wysuszyć.
- Po zakończeniu czyszczenia całej lodówki, włóż wtyczkę z powrotem do sieci suchymi rękami.

Czyszczenie zewnętrzne.

- Oczyszczyć zewnętrzną część ciepłą wodą z mydłem. Nie używaj produktów ściernych.
- W dolnej części produktu znajdują się ostre elementy, należy zachować ostrożność podczas czyszczenia.
- Raz lub dwa razy w roku usuń kurz z tyłu lodówki i kompresora za pomocą szczotki lub odkurzacza. Nagromadzenie kurzu może negatywnie wpłynąć na działanie urządzenia i spowodować wzrost zużycia energii.

OSTRZEŻENIE!

- Nigdy nie czyścić urządzenia środkami czyszczącymi o działaniu kwasowym, ściernym, oleistym lub na bazie rozpuszczalników, gąbkami ściernymi lub gąbkami do szorowania. Do czyszczenia nigdy nie używaj łatwopalnych płynów ani sprayów, ponieważ gazy wydzielane przez te substancje mogą spowodować ryzyko pożaru lub eksplozji.
- Nigdy nie czyścić urządzenia myjką parową. Wilgoć może gromadzić się na elementach elektrycznych i powodować ryzyko porażenia prądem! Gorące opary mogą spowodować uszkodzenie części plastikowych.
- Przed ponownym uruchomieniem urządzenie musi być całkowicie suche.
- Olejki eteryczne i rozpuszczalniki organiczne mogą uszkodzić części plastikowe (takie jak sok z cytryny lub sok ze skórki pomarańczy) lub środki czyszczące zawierające kwas octowy. Nie dopuszczaj do kontaktu tych substancji z jakkolwiek częścią urządzenia.

MAGAZYN ŻYWNOŚCI

- Przed przechowywaniem żywności w lodówce upewnij się, że żywność, zwłaszcza żywność zawierająca wodę, jest umieszczona w odpowiednio zapakowanych plastikowych torebkach lub pojemnikach z odpowiednim zamknięciem, aby zapobiec nieoczekiwanemu zapachowi lub wysuszeniu.
- Aby oszczędzać energię, gorące lub ciepłe produkty spożywcze należy po schłodzeniu umieścić w lodówce.
- Pozostaw odpowiednią przestrzeń pomiędzy produktami spożywczymi, aby zapewnić lepszą wentylację w lodówce.
- Lepiej przechowywać żywność w kawałkach niż w całości.
- Po czyszczeniu odłóż owoce i warzywa oraz napoje butelkowane.
- Przechowuj owoce i warzywa w szufladzie na warzywa, aby były świeże.
- Przechowuj żywność świeżą i ciepłą w temperaturze pokojowej, z dala od produktów, które zostały już zamrożone.
- Do zamrożenia produktów należy wykorzystać miejsce oznaczone: ❄ ❄ ❄
- Czas przechowywania mrożonych produktów zależy od ich jakości przed zamrożeniem w stanie świeżym oraz od temperatury przechowywania. Zalecane są następujące okresy przechowywania, gdy temperatura utrzymuje się na poziomie -18°C lub poniżej:

Produkty	Miesiące
Wołowina	6-8
Cielęcina	3-6
Podroby	1-2

Produkty	Miesiące
Świnia	3-6
Drób	6-8
Ryba	3-6

UTYLIZACJA PRODUKTU

Upewnij się, że wszystkie zamknięcia nie nadają się do użytku, zdejmij drzwi i wyrzuć je osobno.

Ostrzeżenie o ryzyku chemicznym: Nie pozwalaj dzieciom bawić się starymi urządzeniami. Skontaktuj się z odpowiednimi władzami miejskimi, aby dowiedzieć się o procedurze złomowania.

- Przed wyrzuceniem starego urządzenia należy upewnić się, że jest wyłączone i bezpieczne. Odłącz urządzenie i rozbij wszelkie blokady, aby zapobiec uwięzieniu dzieci.
- Uwaga: Układ chłodzenia zawiera gazy i czynniki chłodnicze, które wymagają specjalistycznej utylizacji odpadów.
- Możesz przyczynić się do podniesienia świadomości ekologicznej, nalegając na odpowiednie i niezanieczyszczające metody utylizacji.
- Nie pozwalaj zwierzętom ani dzieciom bawić się opakowaniem, a plastikowe torby wyrzucaj w bezpieczny sposób.
- Możesz podrzeć karton lub pokroić go na mniejsze kawałki i poddać recyklingowi. Opakowania wykonane są z polietylenu. Wyściółka i wypełnienie polietylenowe nie zawierają fluorowanych węglowodorów i jako takie nadają się do recyklingu.

OSTRZEŻENIE! Aby zapobiec zamknięciu dzieci w środku podczas zabawy, jeśli to urządzenie zostanie zastąpione innym urządzeniem wyposażonym w zamek:

- Ze względów bezpieczeństwa przed przechowywaniem należy przerwać lub zdjąć zamknięcie.
- Zdemontuj drzwi.
- Pozostaw półki na miejscu, aby dzieci nie mogły łatwo się po nich wspierać.
- Utnij kabel przyłączeniowy jak najbliżej urządzenia.
- Jeśli to urządzenie wyposażone w magnetyczną uszczelkę drzwi ma zastąpić stare urządzenie wyposażone w zatrzask sprężynowy na drzwiach lub pokrywie, przed wyrzuceniem starego urządzenia należy sprawić, aby zatrzask sprężynowy nie nadawał się do użytku. Zmniejszy to ryzyko uwięzienia dzieci lub zwierząt w środku.

ROZWIĄZANIE PROBLEMU

PROBLEM	PRZYCZYNA/ROZWIĄZANIE
Lodówka nie działa	Nie jest włączone. Podłącz go do uziemionego gniazdka.
	Nie ma prądu. Sprawdź, czy wtyczka nie jest uszkodzona.
	Przepalił się bezpiecznik/zadziałał wyłącznik automatyczny. Skontaktuj się z przedstawicielem serwisu.
	Upewnij się, że napięcie jest odpowiednie dla tego urządzenia.
Temperatura wewnątrz urządzenia nie jest wystarczająco niska.	Ostatnio dodano dużo gorącego jedzenia. Odczekaj kilka godzin, aż powróci do normalnej temperatury.
	Elementy sterujące nie są ustawione prawidłowo w stosunku do warunków otoczenia.
	Sprawdź, czy urządzenie nie jest wystawione na bezpośrednie działanie promieni słonecznych lub zbyt blisko źródła ciepła.
	Sprawdź, czy temperatura otoczenia mieści się w granicach roboczych urządzenia.
	Drzwi urządzenia są często otwierane. Po otwarciu drzwi wilgoć znajdująca się w powietrzu w pomieszczeniu przedostaje się do urządzenia, zwłaszcza jeśli poziom wilgotności w pomieszczeniu jest bardzo wysoki. Im częściej drzwi są otwierane w wilgotnych warunkach, tym większe jest ryzyko gromadzenia się wilgoci.
	Drzwi nie są zamknięte.
	Gumowa uszczelka nie jest prawidłowo uszczelniona.
Lodówka nie ma wystarczająco dużo miejsca, aby zapewnić wentylację z tyłu i po bokach.	
Temperatura wewnątrz lodówki jest za niski.	Zwiększ temperaturę, ustawiając termostat na niższą wartość. Najwyższą moc należy stosować wyłącznie w trybie szybkiego chłodzenia i należy ją ustawić tylko na dwie godziny przed przechowywaniem dużej ilości żywności. Jeśli tego nie zrobisz, temperatura może spaść poniżej 0°C, ponieważ sprężarka będzie pracować ciągle.
Kondensacja na wewnętrznych/zewewnętrznych ścianach lodówki.	Gorący i wilgotny klimat zwiększa powstawanie szronu w pomieszczeniach zamkniętych. To normalne.
Nieprzyjemny zapach.	Sprawdź, czy żywność i napoje w lodówce nie są przeterminowane i czy są prawidłowo zapakowane. Jeśli tak nie jest, wyrzuć go lub dobrze przechowuj.
	Upewnij się, że nic się nie rozlało. Wszelkie rozlane ciecze pozostawione bez nadzoru i nie oczyszczone mogą powodować powstawanie niepożądanych zapachów.
Drzwi nie zamykają się prawidłowo.	Upewnij się, że żadne przedmioty nie utrudniają zamykania drzwi.
	Sprawdź, czy obie półki i przegródki są bezpiecznie zamocowane na swoim miejscu.
	Sprawdź, czy uszczelka drzwi nie jest zdeformowana lub podarta.
	Upewnij się, że urządzenie jest wypoziomowane.

PROBLEM	PRZYCZYNA/ROZWIĄZANIE
Drzwi nie zostaną otwarte.	Jeśli właśnie otworzyłeś drzwi, poczekaj kilka minut, aż ciśnienie powietrza się wyrówna, zanim spróbujesz ponownie.
Dziwne odgłosy.	Sprawdź, czy urządzenie stoi na płaskiej, równej i stabilnej powierzchni.
	Rozejrzyj się po lodówce i upewnij się, że nie dotykasz innych przedmiotów.
	Bulgotanie i bulgotanie: powstające w wyniku przepływu płynu chłodzącego przez rury systemowe. Ten hałas jest normalny.
	Dźwięk płynącej wody: Jest to normalne zjawisko, jest to woda spływająca do odpływu podczas procesu rozmrażania.
	Jeśli urządzenie pracuje głośno (hałas sprężarki): To normalne. Wskazuje, że sprężarka działa normalnie. Gdy sprężarka jest pod napięciem, może przez krótki czas generować hałas.
Sprężarka pracuje cały czas.	Kurczenie się i rozszerzanie wnętrza ścian może powodować odgłosy trzaskania i klikania.
	Ustawiono zbyt niską temperaturę. Wybierz wyższą temperaturę.
	Drzwi są otwarte lub coś blokuje ich zamknięcie.
	Gumowe uszczelki są zużyte, brudne lub uszkodzone.
	Do lodówki włożono dużą ilość żywności.
Temperatura w pomieszczeniu jest wyższa niż normalnie.	
Powierzchnia na zewnątrz lodówki jest gorąca.	Ściany zewnętrzne mogą być cieplejsze niż temperatura pokojowa. Jest to zjawisko normalne, gdy sprężarka pracuje w celu odprowadzania ciepła z wnętrza lodówki.



Zgodnie z dyrektywami: 2012/19 / UE i 2015/863 / UE w sprawie ograniczenia stosowania niebezpiecznych substancji w sprzęcie elektrycznym i elektronicznym, a także ich usuwania. Symbol z przekreślonym pojemnikiem na śmieci pokazany na opakowaniu oznacza, że produkt pod koniec okresu użytkowania będzie zbierany jako osobny odpad. Dlatego każdy produkt, który osiągnął koniec okresu użytkowania, musi zostać dostarczony do wyspecjalizowanych centrów usuwania odpadów w celu selektywnej zbiórki zużytego sprzętu elektrycznego i elektronicznego lub zwrócony do sprzedawcy przy zakupie podobnego nowego sprzętu, w jednym dla jednej bazy. Właściwa selektywna zbiórka w celu późniejszego uruchomienia sprzętu przeznaczonego do recyklingu, obróbki i utylizacji w sposób przyjazny dla środowiska pomaga zapobiegać potencjalnym negatywnym skutkom dla środowiska i zdrowia oraz optymalizuje recykling i ponowne użycie elementy składające się na urządzenie. . Niewłaściwe usunięcie produktu przez użytkownika oznacza nałożenie sankcji administracyjnych zgodnie z prawem.

CREATE



FR

Cet appareil
se recycle

À DÉPOSER
EN MAGASIN



À DÉPOSER
EN DÉCHÈTERIE



OU

Points de collecte sur www.quefairedemesdechets.fr
Privilégiez la réparation ou le don de votre appareil !

RACCOLTA CARTA
Verifica le disposizioni
del tuo Comune.



RoHS

Made in P.R.C.