

CREATE



Silk Skin IPL

User manual | Manual de instrucciones

INDEX

ENGLISH

Safety instructions	6
Product Introduction	8
Parts list	8
Skin sensitivity test	8
How to use	9
Course of treatment	11
Replacing the lamp	11
Skin rejuvenation function	11
Areas suitable for treatment	12
Adverse reactions and related countermeasures	12
Technical specifications	12
Troubleshooting	13

ESPAÑOL

Instrucciones de seguridad	14
Introducción al producto	16
Listado de partes	16
Prueba de sensibilidad de la piel	16
Modo de uso	17
Curso del tratamiento	19
Sustitución de la lámpara	19
Función de rejuvenecimiento de la piel	19
Zonas aptas para el tratamiento	20
Reacciones adversas y contramedidas relacionadas	20
Especificaciones técnicas	20
Resolución de problemas	21

PORTUGUÊS

Instruções de segurança	22
Introdução ao produto	24
Lista de peças	24
Teste de sensibilidade da pele	24
Como usar	25
Curso de tratamento	27
Substituindo a lâmpada	27
Função de rejuvenescimento da pele	27
Áreas adequadas para tratamento	28
Reações adversas e contramedidas relacionadas	28
Especificações técnicas	28
Solução de problemas	29

FRANÇAIS

Consignes de sécurité	30
Présentation du produit	32
Liste des pièces	32
Test de sensibilité cutanée	32
Comment utiliser	33
Déroulement du traitement	35
Remplacement de la lampe	35
Fonction de rajeunissement de la peau	35
Zones adaptées au traitement	36
Effets indésirables et contre-mesures associées	36
Spécifications techniques	36
Dépannage	37

INDEX

ITALIANO

Istruzioni di sicurezza	38
Introduzione al prodotto	40
Elenco dei pezzi	40
Test di sensibilità cutanea	40
Come usare	41
Corso di trattamento	43
Sostituzione della lampada	43
Funzione di ringiovanimento della pelle	43
Aree adatte al trattamento	44
Reazioni avverse e relative contromisure	44
Specifiche tecniche	44
Risoluzione dei problemi	45

DEUTSCH

Sicherheitshinweise	46
Produkteinführung	48
Ersatzteilliste	48
Hautempfindlichkeitstest	48
Anwendung	49
Behandlungsverlauf	51
Auswechseln der Lampe	51
Hautverjüngungsfunktion	51
Für die Behandlung geeignete Bereiche	52
Nebenwirkungen und entsprechende Gegenmaßnahmen	52
Technische Daten	52
Fehlerbehebung	53

NEDERLANDS

Veiligheidsinstructies	54
Productinstructie	56
Onderdelenlijst	56
Huidgevoeligheidstest	56
Hoe te gebruiken	57
Behandelingsverloop	59
De lamp vervangen	59
Huidverjongingsfunctie	59
Gebieden die geschikt zijn voor behandeling	60
Bijwerkingen en erelateerde tegenmaatregelen	60
Technische specificaties	60
Probleemoplossing	61

POLSKI

Instrukcje bezpieczeństwa	62
Wprowadzenie do produktu	64
Lista części	64
Test wrażliwości skóry	64
Jak używać	65
Przebieg leczenia	67
Wymiana lampy	67
Funkcja odmładzania skóry	67
Obszary nadające się do leczenia	68
Działania niepożądane i związane z nimi środki zaradcze	68
Dane techniczne	68
Rozwiązywanie problemów	69

ENGLISH

Thank you for choosing our pulsed light epilator. Before using this appliance and to ensure its best use, please read the instructions carefully.

The safety measures outlined here reduce the risk of fire, electric shock, and injury when followed correctly. Keep the manual in a safe place for future reference, as well as the warranty, purchase receipt, and box. If applicable, give these instructions to the future owner of the appliance. Always follow basic safety instructions and risk prevention measures when using an electrical appliance. The manufacturer shall not be liable for any damage resulting from the user's failure to follow these instructions.

SAFETY INSTRUCTIONS

When using any electrical appliance, the following basic safety precautions should always be observed.

- The product may only be used for its intended purpose. The manufacturer shall not be liable for damage resulting from improper use or incorrect handling.
- This device contains high voltage. Do not disassemble the device.
- Do not block the vents during use. They are used to cool the product.
- Do not allow water or moisture to enter the equipment.
- Do not use the device if the plug or cord is damaged.
- The use of the device in flammable or explosive conditions is prohibited.
- Do not use the product under any of the following conditions:
 - In children and the elderly.
 - People with local or systemic inflammation; people with photosensitive skin or those using photosensitive medications.
 - Users of implanted electronic medical devices (e.g., cardiac pacemakers) and life support systems (e.g., artificial heart-lung machines), as these may cause malfunctions of the electronic medical devices.
- The product is not recommended for use by women who are pregnant, attempting to become pregnant, or breastfeeding, as this product has not been tested in these groups.
- People who have sunbathed, used tanning beds, or used artificial tanning products should not use the product immediately. If you are unsure whether your skin has been tanned or sunburned, it is recommended to perform a skin sensitivity test and wait 24 hours.
- Do not use directly on tattoos or dark or black spots, as they can absorb large amounts of light and cause skin discomfort.

- Use on sensitive areas such as the eyes, neck, nipples, genitals, or anus is prohibited, as the skin in these areas is especially sensitive and vulnerable.
- Do not apply for too long to the same area or repeat the process too many times, as this may cause excessive heat and discomfort to the skin.
- If your skin appears red and swollen for more than 24 hours after use, discontinue use immediately and consult your doctor or customer service.
- Do not direct the lamp towards vulnerable parts such as the eyes when emitting light. Always wear eye protection during use.
- Do not look directly at the light emitted by the lamp or even at the reflected light, even if you are wearing eye protection.
- Before use, remove all metal objects such as rings or bracelets to prevent equipment malfunction.
- Keep the room ventilated.
- Keep the product away from children and store it out of their reach after use.
- It is strictly prohibited to disassemble or modify this product and operate it improperly. If disassembled without authorization, the product will immediately lose its right to warranty service.
- Apply aloe vera gel or a moisturizer to the treated skin. Do not use irritating cosmetics immediately.
- Make sure the treated skin is clean before starting the procedure.
- For 2 hours after treatment, do not wet the area with water. Do not sunbathe, take hot baths, steam baths, etc., for the next 48 hours.
- Avoid exposing treated skin to direct sunlight for 2 hours after treatment. It is recommended to perform the treatment at night and, if you go out, apply sunscreen.
- Do not swim in pools for 48 hours after treatment.
- If you ignore these warnings, using the device may cause skin redness and swelling, as well as temporary or permanent color changes.
- Do not press the light trigger button continuously. Just press it once to emit a flash. It is recommended to irradiate each area 2 to 3 times (with the lamp in full contact with the skin).
- Do not use the appliance continuously for more than 25 minutes. If the treatment area is large, divide it into several sessions. After 25 minutes of use, unplug the appliance, let it rest for 10 minutes, and then continue.

PRODUCT INTRODUCTION

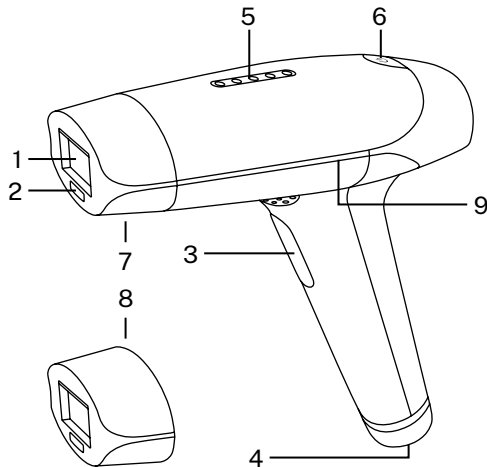
This beauty care device is an innovative, multifunctional tool that combines laser hair removal, skin rejuvenation, acne treatment, and other benefits in a single device. Thanks to the integration of advanced optical technology, it presents itself as a professional, practical, and safe solution in the field of beauty and personal care.

Before using the device, it is essential to carefully read all instructions and precautions to ensure correct and safe use. Its design prioritizes both user comfort and protection, and its manufacturing meets the highest quality standards.

It is indicated for men and women who wish to effectively remove unwanted hair. The treatment is a completely physical and non-invasive therapy. For darker skin, it is recommended to start with the lowest intensity and gradually adjust the energy level according to skin tolerance and response.

PARTS LIST

1. Light output
2. Skin detection sensor
3. Light trigger button
4. Power port
5. Level indicator
6. On/off/level adjustment button
7. Rejuvenation lamp: Red filter
8. Hair removal lamp: Yellow filter
9. Ready indicator light



SKIN SENSITIVITY TEST

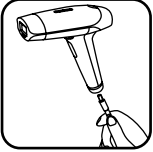
If this is your first time using the product, or your first time applying it to a new area, first select a small area to perform the sensitivity test by following these instructions:

1. Turn on the device following the instructions shown below.
2. Choose a low level: level 1 or 2.
3. Perform the test in the selected area following the operating instructions and paying attention.
4. Check the condition of the skin after 30 minutes.
5. If the skin in the test area is normal, you can continue using the product. If the skin becomes red or swollen, wait 24 hours and repeat the test.

HOW TO USE



1. Before use, shave all hair around the treatment area. Clean and dry the area thoroughly to maximise the amount of energy absorbed by the hair follicles for the best treatment effect.



2. Insert the plug of the power adaptor into the power socket of the appliance.

3. Plug the adapter into the power socket, the level indicator will light up for 2 seconds, this indicates that the device has been connected to the power correctly.



4. Press and hold the power button for 2 seconds to switch on the device.

5. The device has 5 levels (1-5). Level 1 is the default when you turn it on. Briefly pressing the level adjustment button increases the level by one level at a time, with the corresponding indicator lighting up. Once level 5 is reached, pressing it again returns to level 1, operating in a loop. Always start at a low level and gradually increase it as appropriate. Adjust the level according to your own skin's adaptability.



6. Use the glasses exclusively for this product to avoid eye damage.

7. Manual and automatic light emission settings

- a. **Manual light emission settings.**

The default setting is manual light emission, meaning the device will flash once each time the light trigger button is pressed (suitable for hair removal on small areas).

- b. **Automatic light emission settings**

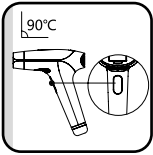
After turning on the device, press and hold the light trigger button for 2 seconds. The readiness indicator light will flash and auto-broadcast mode will activate. You just need to bring the lamp close to the skin and the device will automatically emit light (suitable for hair removal on large areas).

- c. **Attention**

When the device is in automatic emission mode, when pressing the light trigger button you must be careful not to expose other areas to the lamp and never allow other people to touch it.

- d. **Switch to manual light emission**

When the device is in automatic emission mode, press and hold the light trigger button for 2 seconds. The readiness indicator light will stop flashing and the device will return to manual broadcast mode.



8. Using the lamp in the hair removal area

Place the device in direct contact with the area to be treated and try to keep it at a right angle to the skin.

a. Manual emission mode:

When the device is in manual emission mode and the readiness indicator is flashing, press the light trigger button to irradiate. The area covered by the lamp will be hair removed. Then, move it to the next treatment area and, when the readiness indicator flashes again, press the light trigger button again to irradiate. Repeat these steps. It is recommended to irradiate each area 2 to 3 times.

b. Automatic emission mode:

When the device is in auto-emitting mode, the device will automatically emit light, so there is no need to press the light trigger button. The area covered by the lamp will be hair removed. Then, move it to the next treatment area and make sure it is in contact with your skin; the device will automatically irradiate. Repeat these steps. It is recommended to irradiate each area 2 to 3 times.

Advice: When the device is in automatic emission mode and the lamp remains fixed on the skin without moving, it will irradiate every 8 seconds.

9. After use, press and hold the power button for 2 seconds to turn off the device. It will automatically shut off in 5 minutes if no action is taken.
10. Unplug the adapter and remove it from the power outlet.
11. After 10 minutes, when the lamp has cooled, clean the lamp's light outlet with a damp, alcohol-free tissue or soft tissue.
12. Once clean, store the device and adapter in the package box. Place the box in a dry, well-ventilated place, out of the reach of children.
13. Care of treated skin: After 20 minutes, clean the treated skin. You can apply moisturizing or repairing products to nourish your skin. If you experience discomfort, apply cold to the area for 30–60 minutes until the burning sensation disappears.

ATTENTION

- Apply aloe vera gel or a moisturizer to the treated skin. Do not use irritating cosmetics immediately.
- For 2 hours after treatment, do not wet the area with water. Do not sunbathe, take hot baths, steam baths, etc., for the next 48 hours.
- Avoid exposing treated skin to direct sunlight for 2 hours after treatment. It is recommended to perform the treatment at night and, if you go out, apply sunscreen.
- Do not swim in pools for 48 hours after treatment.

COURSE OF TREATMENT

- **First month (once every 3–5 days):**

You will not notice any immediate changes in the appearance of your hair or skin. Treatment requires continued use.

- **Second month (once a week):**

The hair will become finer and softer. You will see the black hair follicles falling out during your shower.

- **Third month (once every 15 days):**

Most of the new hair will stop regenerating strongly and you can gently remove it. Only a little hair will remain in the area.

- **Fourth month (once every 30 days):**

The hair will disappear. You will have permanently removed hair from the treated area and achieved perfect skin.

By following this treatment guide, the device will help you permanently remove hair from specific areas. Some parts won't require any additional maintenance; others may need touch-ups every 6, 9, or 12 months.

REPLACING THE LAMP



1. Press and hold the power button for 2 seconds to turn off the device, then unplug the power cord.
2. Hold the top of the handle with one hand and the lamp with the other, pull it out and insert the corresponding one according to the function (hair removal - yellow lens, skin rejuvenation / acne treatment - red lens).

Lamp lifespan

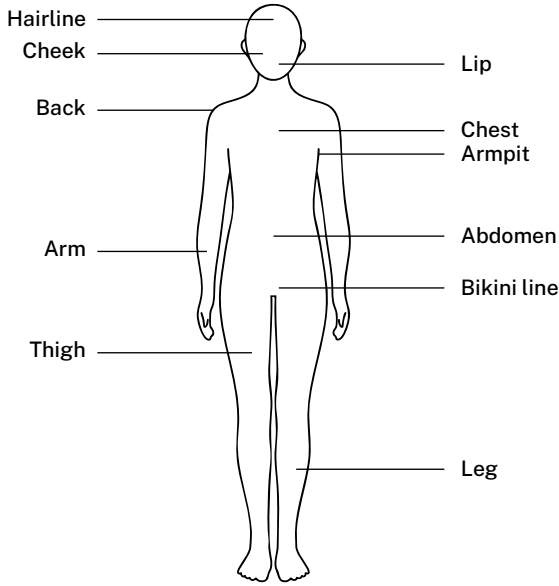
Hair removal lamp (yellow lens): 300,000 pulses.

Skin Rejuvenation Lamp (Red Lens): 100,000 pulses.

SKIN REJUVENATION FUNCTION

1. Replace the skin rejuvenation lamp. The device will automatically test and identify the lamp type after power on.
2. Press the level adjustment button until it reaches level 1, direct the lamp to the area requiring skin rejuvenation to irradiate it.
3. It is recommended to irradiate each area once and perform the treatment once or twice a week. You will be able to observe a noticeable effect after maintaining the treatment for 2–3 months.

AREAS SUITABLE FOR TREATMENT



ADVERSE REACTIONS AND RELATED COUNTERMEASURES

All cosmetic methods carry some risks, and this product is no exception. Possible adverse reactions and corresponding measures are:

- **Pain:** Since each person has different skin, the sensation of pain varies. It is rare for users to feel uncomfortable. A mild burning sensation lasting more than a minute may occur, but most adults and teens can tolerate it.
- **Mild skin redness or burning sensation:** It is a normal reaction. In most cases, this discomfort will disappear on its own after a short time. If it persists for more than 24 hours, please contact customer service.
- **Smell of burnt hair:** Indicates that you have not shaved all the hair before using the appliance. It's normal.

TECHNICAL SPECIFICATIONS

PARAMETER	WORTH	PARAMETER	WORTH
Power	36W	Cable length	1.8 m
Strain	Input:100-240V~ 50/60Hz Exit: 24V 1.5A	External environment	Temperature: -20~60°C Relative humidity: 20-90% non-condensing humidity
Weight	0.32 kg	Fluency	4.7 J
Irradiation area	4 cm ²	Dimensions	182x85x151 mm

TROUBLESHOOTING

PROBLEM	CAUSE	SOLUTION
No power	The power line is not properly connected	Connect the power line. Once connected correctly, the level indicator will light up for 2 seconds.
The device cannot be turned on	<ol style="list-style-type: none"> 1. The power button is not pressed correctly. 2. The power button is not held down for 2 seconds. 	When turning on, apply a little force and hold the power button for at least 2 seconds.
The level indicator flashes after switching on	The lamp is not installed correctly	Reinstalling the lamp: Turn off the appliance and unplug the power cord before replacing the lamp.
No light is emitted when the light trigger button is pressed	<ol style="list-style-type: none"> 1. The lamp is not in contact with the skin. 2. The lamp life has expired. 3. The charging process ended before the readiness indicator lit up. 	<ol style="list-style-type: none"> 1. Make the lamp touch the skin. 2. Replace the lamp. 3. Press the light trigger button after the readiness indicator is on.
Automatic shutdown	The device automatically switches off after 5 minutes if not in use.	Press and hold the power button for 2 seconds to restart.



In compliance with Directives: 2012/19/EU and 2015/863/EU on the restriction of the use of dangerous substances in electric and electronic equipment as well as their waste disposal. The symbol with the crossed dustbin shown on the package indicates that the product at the end of its service life shall be collected as separate waste. Therefore, any products that have reached the end of their useful life must be given to waste disposal centres specialising in separate collection of waste electrical and electronic equipment, or given back to the retailer at the time of purchasing new similar equipment, on a one for one basis. The adequate separate collection for the subsequent start-up of the equipment sent to be recycled, treated and disposed of in an environmentally compatible way contributes to preventing possible negative effects on the environment and health and optimises the recycling and reuse of components making up the apparatus. Abusive disposal of the product by the user involves application of the administrative sanctions according to the laws.

Gracias por elegir nuestra depiladora de luz pulsada. Antes de utilizar este aparato y para asegurar su mejor uso, por favor, lea detenidamente las instrucciones.

Las medidas de seguridad aquí indicadas reducen el riesgo de incendio, descarga eléctrica y lesiones cuando se siguen correctamente. Guarde el manual en un lugar seguro para futuras referencias, así como la garantía, el recibo de compra y la caja. Si procede, entregue estas instrucciones al futuro propietario del electrodoméstico. Siempre siga las instrucciones básicas de seguridad y las medidas de prevención de riesgos cuando utilice un electrodoméstico eléctrico. El fabricante no se responsabilizará de ningún daño derivado del incumplimiento de estas instrucciones por parte del usuario.

INSTRUCCIONES DE SEGURIDAD

Al utilizar cualquier aparato eléctrico, deben observarse siempre las siguientes precauciones básicas de seguridad.

- El producto sólo puede utilizarse para los fines previstos. El fabricante no se responsabilizará de los daños que resulten de un uso inapropiado o de una manipulación incorrecta.
- Este aparato contiene alta tensión. No desmonte el dispositivo.
- No bloquee las rejillas de ventilación durante el uso. Sirven para enfriar el producto.
- No permita que entre agua o humedad en el aparato.
- No utilice el aparato si el enchufe o el cable están dañados.
- Está prohibido el uso del aparato en condiciones inflamables o explosivas.
- No utilice el producto bajo ninguna de las siguientes condiciones:
 - En niños y personas mayores.
 - Personas con inflamaciones locales o sistémicas, personas con piel fotosensible o que estén usando medicamentos fotosensibles.
 - Usuarios de dispositivos médicos electrónicos implantados (por ejemplo, marcapasos cardíacos) y sistemas de soporte vital (como máquina corazón-pulmón artificial), ya que pueden provocar fallos en el funcionamiento de los dispositivos médicos electrónicos.
- No se recomienda el uso del producto en mujeres embarazadas, que intenten quedarse embarazadas o en período de lactancia, ya que este producto no ha sido probado en estos grupos.
- Las personas que hayan tomado el sol, usado camas solares o productos de bronceado artificial no deben utilizar el producto inmediatamente. Si no está seguro de si su piel ha sido bronceada o quemada por el sol, se recomienda realizar una prueba de sensibilidad cutánea y esperar 24 horas.

- No utilizar directamente sobre tatuajes ni manchas oscuras o negras, ya que pueden absorber gran cantidad de luz y causar molestias en la piel.
- Está prohibido el uso en zonas sensibles como ojos, cuello, pezones, genitales o ano, ya que la piel en estas áreas es especialmente sensible y vulnerable.
- No aplicar durante demasiado tiempo en la misma zona ni repetir demasiadas veces, ya que puede producir un exceso de calor e incomodidad en la piel.
- Si la piel aparece enrojecida e hinchada durante más de 24 horas tras el uso, interrumpa inmediatamente el uso y consulte a su médico o con el servicio de atención al cliente.
- No dirija la lámpara hacia partes vulnerables como los ojos cuando emite luz. Use siempre las gafas de protección ocular durante el uso.
- No mire directamente a la luz emitida por la lámpara ni siquiera a la luz reflejada, aunque lleve las gafas.
- Antes de usar, retire todos los objetos metálicos como anillos o pulseras para evitar un mal funcionamiento del equipo.
- Mantenga el ambiente ventilado.
- Mantenga el producto alejado de los niños y guárdelo fuera de su alcance después de usarlo.
- Está estrictamente prohibido desmontar o modificar este producto y operarlo de manera inadecuada. Si se desmonta sin autorización, el producto perderá inmediatamente el derecho a servicio de garantía.
- Aplique gel de aloe vera o un producto hidratante en la piel tratada. No use cosméticos irritantes inmediatamente.
- Asegúrese de que la piel a tratar esté limpia antes de iniciar el procedimiento.
- Durante las 2 horas posteriores al tratamiento, no moje la zona con agua. No tome el sol, baños calientes, baños de vapor, etc., en las 48 horas siguientes.
- Evite exponer la piel tratada al sol directo en las 2 horas posteriores al tratamiento. Es recomendable realizar el tratamiento por la noche y, si sale, aplique protección solar.
- No nade en piscinas dentro de las 48 horas posteriores al tratamiento.
- Si ignora estas advertencias, el uso del aparato puede provocar enrojecimiento e hinchazón de la piel, así como cambios de color temporales o permanentes.
- No pulse el botón de disparo de luz de manera continua. Basta con presionarlo una vez para emitir un destello. Se recomienda irradiar cada zona de 2 a 3 veces (con la lámpara en contacto completo con la piel).
- No utilice el aparato de manera continua durante más de 25 minutos. Si el área de tratamiento es grande, divídala en varias sesiones. Tras 25 minutos de uso, desconecte el aparato, deje reposar 10 minutos y luego continúe.

INTRODUCCIÓN AL PRODUCTO

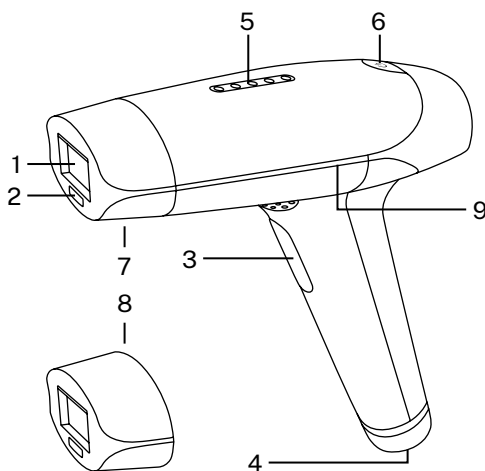
Este dispositivo de cuidado estético es una herramienta innovadora y multifuncional que combina depilación láser, rejuvenecimiento de la piel, tratamiento del acné y otros beneficios en un solo equipo. Gracias a la integración de tecnología óptica avanzada, se presenta como una solución profesional, práctica y segura dentro del campo de la belleza y el cuidado personal.

Antes de utilizar el dispositivo, es fundamental leer atentamente todas las instrucciones y precauciones para garantizar un uso correcto y seguro. Su diseño prioriza tanto la comodidad como la protección del usuario, y su fabricación responde a los más altos estándares de calidad.

Está indicado para hombres y mujeres que deseen eliminar el vello no deseado de manera eficaz. El tratamiento es una terapia completamente física y no invasiva. En el caso de pieles morenas, se recomienda comenzar con la intensidad más baja y ajustar gradualmente el nivel de energía de acuerdo con la tolerancia y la respuesta de la piel.

LISTADO DE PARTES

1. Salida de luz
2. Sensor de detección de la piel
3. Botón de disparo de luz
4. Puerto de alimentación
5. Indicador de nivel
6. Botón de encendido / apagado / ajuste de niveles
7. Lámpara de rejuvenecimiento:
Filtro rojo
8. Lámpara de depilación: Filtro amarillo
9. Luz indicadora de preparación



PRUEBA DE SENSIBILIDAD DE LA PIEL

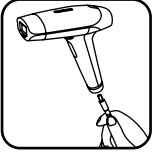
Si es la primera vez que usa el producto, o la primera vez que lo aplica en una zona nueva, primero seleccione un área pequeña para realizar la prueba de sensibilidad siguiendo estas instrucciones:

1. Encienda el aparato siguiendo las instrucciones que se muestran más adelante.
2. Elija un nivel bajo de uso; nivel 1 o 2.
3. Realice la prueba en el área seleccionada siguiendo las instrucciones de operación y prestando atención.
4. Compruebe el estado de la piel después de 30 minutos.
5. Si la piel en la zona de prueba está normal, puede continuar usando el producto. Si la piel presenta enrojecimiento o hinchazón, espere 24 horas y repita la prueba.

MODO DE USO



1. Antes de usar, afeite todo el vello alrededor del área de tratamiento. Limpie y seque bien la zona para maximizar la cantidad de energía que los folículos pilosos absorben y así obtener el mejor efecto del tratamiento.



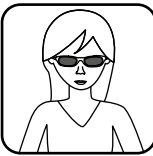
2. Inserte el enchufe del adaptador de corriente en la toma de corriente del aparato.

3. Conecte el adaptador a la toma eléctrica, el indicador de nivel se encenderá durante 2 segundos, esto indica que el dispositivo ha sido conectado a la corriente correctamente.



4. Mantenga pulsado el botón de encendido durante 2 segundos para encender el aparato.

5. El aparato tiene 5 niveles de potencia. El nivel 1 es el predeterminado al encenderlo. Pulsando brevemente el botón de ajuste de nivel se aumenta un nivel cada vez, encendiéndose el indicador correspondiente. Una vez alcanzado el nivel 5, al pulsar de nuevo regresa al nivel 1, funcionando en bucle. Comience siempre en un nivel bajo y súbalo gradualmente si lo considera adecuado. Ajuste el nivel de acuerdo con la adaptabilidad de su propia piel.



6. Use las gafas exclusivas para este producto para evitar daños en los ojos.

7. Configuración de emisión de luz manual y automática

a. Configuración de emisión de luz manual.

La configuración predeterminada es la emisión de luz manual, es decir, el dispositivo emitirá un destello cada vez que se pulse el botón de disparo de luz (adecuado para la depilación en áreas pequeñas).

b. Configuración de emisión de luz automática

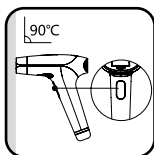
Después de encender el aparato, mantenga pulsado el botón de disparo de luz durante 2 segundos. La luz indicadora de preparación parpadeará y se activará el modo de emisión automática. Solo necesita acercar la lámpara a la piel y el aparato emitirá luz automáticamente (adecuado para la depilación en áreas grandes).

c. Atención

Cuando el aparato esté en modo de emisión automática, al presionar el botón de disparo de luz debe tener cuidado de no exponer otras áreas a la lámpara y nunca permita que otras personas la toquen.

d. Cambiar a emisión de luz manual

Cuando el aparato esté en modo de emisión automática, mantenga pulsado el botón de disparo de luz durante 2 segundos. La luz indicadora de preparación dejará de parpadear y el dispositivo volverá al modo de emisión manual.



8. Uso de la lámpara en el área de depilación

Coloque el aparato en contacto directo con la zona a depilar e intente que quede en ángulo recto con la piel.

a. Modo de emisión manual:

Cuando el aparato esté en modo de emisión manual y el indicador de preparación esté parpadeando, pulse el botón de disparo de luz para irradiar. El área cubierta por la lámpara quedará depilada. Luego, muévala a la siguiente zona de tratamiento y, cuando el indicador de preparación vuelva a parpadear, pulse de nuevo el botón de disparo de luz para irradiar. Repita estos pasos. Se recomienda irradiar cada zona de 2 a 3 veces.

b. Modo de emisión automática:

Cuando el aparato esté en modo de emisión automática, el dispositivo irradiará de manera automática, por lo que no es necesario pulsar el botón de disparo de luz. El área cubierta por la lámpara quedará depilada. Luego, muévala a la siguiente zona de tratamiento y haga que quede en contacto con la piel; el dispositivo irradiará automáticamente. Repita estos pasos. Se recomienda irradiar cada zona de 2 a 3 veces.

Consejo: Cuando el aparato esté en modo de emisión automática y la lámpara permanezca fija sobre la piel sin moverse, irradiará cada 8 segundos.

9. Después de usarlo, mantenga presionado el botón de apagado durante 2 segundos para apagar el aparato. Se apagará automáticamente en 5 minutos si no se realiza ninguna acción.
10. Desenchufe el adaptador y retírelo de la toma de corriente.
11. Tras 10 minutos, cuando la lámpara se haya enfriado, limpie la salida de luz de la lámpara con un papel húmedo sin alcohol o con papel suave.
12. Una vez limpio, guarde el aparato y el adaptador en la caja del paquete. Coloque la caja en un lugar seco y bien ventilado, fuera del alcance de los niños.
13. Cuidado de la piel tratada: después de 20 minutos, limpie la piel tratada. Puede aplicar productos hidratantes o reparadores para nutrir la piel. Si siente molestias, aplique frío en la zona durante 30–60 minutos hasta que desaparezca la sensación de ardor.

ATENCIÓN

Aplique gel de aloe vera o un producto hidratante en la piel tratada. No use cosméticos irritantes inmediatamente.

Durante las 2 horas posteriores al tratamiento, no moje la zona con agua. No tome el sol, baños calientes, baños de vapor, etc., en las 48 horas siguientes.

Evite exponer la piel tratada al sol directo en las 2 horas posteriores al tratamiento. Es recomendable realizar el tratamiento por la noche y, si sale, aplique protección solar.

No nade en piscinas dentro de las 48 horas posteriores al tratamiento.

CURSO DEL TRATAMIENTO

- **Primer mes (una vez cada 3–5 días):**

No notará cambios inmediatos en el aspecto del vello o la piel. El tratamiento requiere un uso continuado.

- **Segundo mes (una vez por semana):**

El vello se volverá más fino y suave. Verá cómo los folículos capilares negros se desprenden durante la ducha.

- **Tercer mes (una vez cada 15 días):**

El nuevo vello, en su gran mayoría, dejará de regenerarse con fuerza y podrá retirarlo suavemente. Solo quedará un poco de vello en la zona.

- **Cuarto mes (una vez cada 30 días):**

El vello desaparecerá. Habrá eliminado permanentemente el vello del área tratada y conseguirá una piel perfecta.

Siguiendo esta guía de tratamiento, el aparato le ayudará a eliminar el vello de zonas específicas de forma definitiva. Algunas partes no requerirán mantenimiento adicional; otras podrán necesitar sesiones de repaso a los 6, 9 o 12 meses.

SUSTITUCIÓN DE LA LÁMPARA



1. Mantenga presionado el botón de apagado durante 2 segundos para apagar el aparato y luego desconecte el cable de alimentación.
2. Sujete con una mano la parte superior del mango y, con la otra la lámpara, tire de ella para extraerla e inserte la correspondiente según la función (depilación - lente amarilla, rejuvenecimiento de la piel / tratamiento del acné - lente roja).

VIDA ÚTIL DE LAS LÁMPARAS

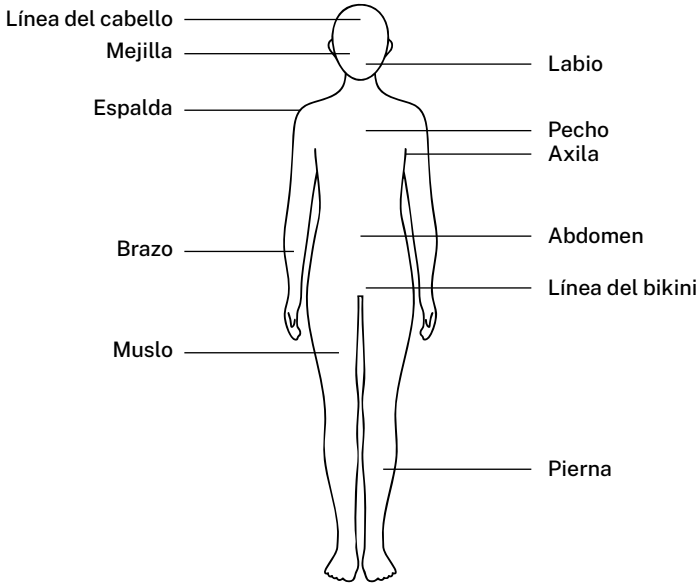
Lámpara de depilación (lente amarilla): 300.000 pulsos.

Lámpara de rejuvenecimiento de la piel (lente roja): 100.000 pulsos.

FUNCIÓN DE REJUVENECIMIENTO DE LA PIEL

1. Sustituya la lámpara de rejuvenecimiento cutáneo. El dispositivo probará e identificará automáticamente el tipo de lámpara tras encenderse.
2. Pulse el botón de ajuste de niveles hasta situarlo en el nivel 1, dirija la lámpara al área que requiera rejuvenecimiento cutáneo para irradiarla.
3. Se recomienda irradiar cada zona una vez y realizar el tratamiento una o dos veces por semana. Podrá observar un efecto notable después de mantener el tratamiento durante 2–3 meses.

ZONAS APTAS PARA EL TRATAMIENTO



REACCIONES ADVERSAS Y CONTRAMEDIDAS RELACIONADAS

Todos los métodos cosméticos conllevan algunos riesgos, y este producto no es una excepción. Las posibles reacciones adversas y las correspondientes medidas son:

- **Dolor:** Dado que cada persona tiene una piel distinta, la sensación de dolor varía. Es raro que los usuarios se sientan incómodos. Podría aparecer una leve sensación de ardor que dure más de un minuto, pero la mayoría de los adultos y adolescentes pueden tolerarla.
- **Enrojecimiento leve de la piel o sensación de ardor:** Es una reacción normal. En la mayoría de los casos, esta molestia desaparecerá por sí sola al poco tiempo. Si persiste durante más de 24 horas, consulta con el servicio de atención al cliente.
- **Olor a vello quemado:** Indica que no ha rasurado todo el vello antes de usar el aparato. Es normal.

ESPECIFICACIONES TÉCNICAS

PARÁMETRO	VALOR	PARÁMETRO	VALOR
Potencia	36W	Longitud del cable	1,8 m
Tensión	Entrada:100-240V~ 50/60Hz Salida: 24V 1.5A	Entorno externo	Temperatura: -20~60°C Humedad relativa: 20-90% sin condensación de humedad
Peso	0,32 kg	Fluencia	4,7 J
Área de irradiación	4 cm ²	Dimensiones	182x85x151 mm

RESOLUCIÓN DE PROBLEMAS

PROBLEMA	CAUSA	SOLUCIÓN
Sin energía	La línea de alimentación no está bien conectada	Conectar la línea de alimentación. Una vez conectada correctamente, el indicador de nivel se encenderá durante 2 segundos.
No se puede encender el aparato	<ol style="list-style-type: none"> 1. El botón de encendido no se presiona correctamente. 2. El botón de encendido no se mantiene presionado durante 2 segundos. 	Al encender, aplicar un poco de fuerza y mantenga presionado el botón de encendido durante al menos 2 segundos.
El indicador de nivel parpadea después de encender	La lámpara no está bien instalada	Reinstalar la lámpara: apagar el aparato y desenchufar el cable de alimentación antes de reemplazar la lámpara.
No se emite luz al presionar el botón de disparo de luz	<ol style="list-style-type: none"> 1. La lámpara no está en contacto con la piel. 2. La vida útil de la lámpara se ha agotado. 3. El proceso de carga terminó antes de que el indicador de preparación se encendiera. 	<ol style="list-style-type: none"> 1. Hacer que la lámpara toque la piel. 2. Reemplazar la lámpara. 3. Presionar el botón de disparo de luz después de que el indicador de preparación esté encendido.
Apagado automático	El aparato se apaga automáticamente en 5 minutos si no se utiliza	Mantenga presionado el botón de encendido durante 2 segundos para reiniciar.



En cumplimiento de las directivas: 2012/19 / UE y 2015/863 / UE sobre la restricción del uso de sustancias peligrosas en equipos eléctricos y electrónicos, así como su eliminación de residuos. El símbolo con el cubo de basura cruzado que se muestra en el paquete indica que el producto al final de su vida útil se recogerá como residuo separado. Por lo tanto, cualquier producto que haya llegado al final de su vida útil debe entregarse a centros de eliminación de residuos especializados en la recogida selectiva de equipos eléctricos y electrónicos de desecho, o devolverse al minorista al momento de comprar equipos nuevos similares, en uno para Una base. La recolección separada adecuada para la posterior puesta en marcha de los equipos enviados para ser reciclados, tratados y eliminados de una manera compatible con el medio ambiente contribuye a prevenir posibles efectos negativos sobre el medio ambiente y la salud y optimiza el reciclaje y la reutilización de los componentes que componen el aparato. La eliminación abusiva del producto por parte del usuario implica la aplicación de las sanciones administrativas de acuerdo con las leyes.

Obrigado por escolher nosso depilador de luz pulsada. Antes de utilizar este aparelho e para garantir seu melhor uso, leia atentamente as instruções.

As medidas de segurança descritas aqui reduzem o risco de incêndio, choque elétrico e ferimentos quando seguidas corretamente. Guarde o manual em um local seguro para referência futura, assim como a garantia, o recibo de compra e a caixa. Se aplicável, forneça estas instruções ao futuro proprietário do aparelho. Siga sempre as instruções básicas de segurança e as medidas de prevenção de riscos ao usar um aparelho elétrico. O fabricante não será responsável por quaisquer danos resultantes da falha do usuário em seguir estas instruções.

INSTRUÇÕES DE SEGURANÇA

Ao usar qualquer aparelho elétrico, as seguintes precauções básicas de segurança devem sempre ser observadas.

- O produto só pode ser utilizado para o fim a que se destina. O fabricante não será responsável por danos resultantes de uso indevido ou manuseio incorreto.
- Este aparelho contém alta tensão. Não desmonte o dispositivo.
- Não bloqueie as aberturas durante o uso. Eles são usados para resfriar o produto.
- Não permita a entrada de água ou umidade no equipamento.
- Não utilize o produto se o plugue ou o cabo estiverem danificados.
- É proibido o uso do produto em condições inflamáveis ou explosivas.
- Não utilize o produto em nenhuma das seguintes condições:
 - Em crianças e idosos.
 - Pessoas com inflamação local ou sistêmica; pessoas com pele fotossensível ou que usam medicamentos fotossensíveis.
 - Usuários de dispositivos médicos eletrônicos implantados (por exemplo, marcapassos cardíacos) e sistemas de suporte à vida (por exemplo, máquinas coração-pulmão artificiais), pois estes podem causar mau funcionamento dos dispositivos médicos eletrônicos.
- O produto não é recomendado para uso por mulheres grávidas, tentando engravidar ou amamentando, pois este produto não foi testado nesses grupos.
- Pessoas que tomaram sol, usaram câmaras de bronzamento ou usaram produtos de bronzamento artificial não devem usar o produto imediatamente. Se você não tiver certeza se sua pele ficou bronzeada ou queimada pelo sol, é recomendável fazer um teste de sensibilidade da pele e esperar 24 horas.
- Não use diretamente sobre tatuagens ou manchas escuras ou pretas, pois elas podem absorver grandes quantidades de luz e causar desconforto na pele.

- O uso em áreas sensíveis, como olhos, pescoço, mamilos, genitais ou ânus, é proibido, pois a pele dessas áreas é especialmente sensível e vulnerável.
- Não aplique por muito tempo na mesma área nem repita o processo muitas vezes, pois isso pode causar calor excessivo e desconforto na pele.
- Se sua pele ficar vermelha e inchada por mais de 24 horas após o uso, interrompa o uso imediatamente e consulte seu médico ou serviço de atendimento ao cliente.
- Não direcione a lâmpada para partes vulneráveis, como os olhos, ao emitir luz. Use sempre proteção para os olhos durante o uso.
- Não olhe diretamente para a luz emitida pela lâmpada ou mesmo para a luz refletida, mesmo que esteja usando proteção para os olhos.
- Antes de usar, remova todos os objetos de metal, como anéis ou pulseiras, para evitar mau funcionamento do equipamento.
- Mantenha o ambiente ventilado.
- Mantenha o produto fora do alcance de crianças e guarde-o fora do alcance delas após o uso.
- É estritamente proibido desmontar ou modificar este produto e operá-lo de maneira inadequada. Se desmontado sem autorização, o produto perderá imediatamente o direito ao serviço de garantia.
- Aplique gel de aloe vera ou um hidratante na pele tratada. Não use cosméticos irritantes imediatamente.
- Certifique-se de que a pele tratada esteja limpa antes de iniciar o procedimento.
- Não molhe a área com água durante 2 horas após o tratamento. Não tome banho de sol, banhos quentes, banhos de vapor, etc., nas próximas 48 horas.
- Evite expor a pele tratada à luz solar direta por 2 horas após o tratamento. Recomenda-se realizar o tratamento à noite e, se sair, aplicar protetor solar.
- Não nade em piscinas por 48 horas após o tratamento.
- Se você ignorar esses avisos, o uso do dispositivo poderá causar vermelhidão e inchaço na pele, bem como alterações temporárias ou permanentes na cor.
- Não pressione o botão de disparo da luz continuamente. Basta pressionar uma vez para emitir um flash. Recomenda-se irradiar cada área de 2 a 3 vezes (com a lâmpada em contato total com a pele).
- Não utilize o aparelho continuamente por mais de 25 minutos. Se a área de tratamento for grande, divida-a em várias sessões. Após 25 minutos de uso, desligue o aparelho da tomada, deixe-o descansar por 10 minutos e depois continue.

INTRODUÇÃO AO PRODUTO

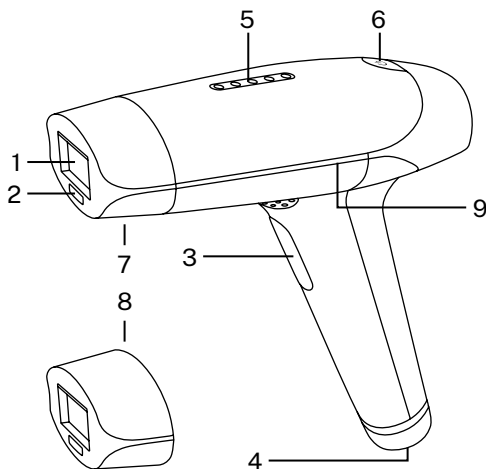
Este dispositivo de cuidados de beleza é uma ferramenta inovadora e multifuncional que combina depilação a laser, rejuvenescimento da pele, tratamento de acne e outros benefícios em um único dispositivo. Graças à integração de tecnologia óptica avançada, apresenta-se como uma solução profissional, prática e segura na área da beleza e dos cuidados pessoais.

Antes de usar o dispositivo, é essencial ler atentamente todas as instruções e precauções para garantir o uso correto e seguro. Seu design prioriza tanto o conforto quanto a proteção do usuário, e sua fabricação atende aos mais altos padrões de qualidade.

É indicado para homens e mulheres que desejam remover pelos indesejados de forma eficaz. O tratamento é uma terapia totalmente física e não invasiva. Para peles mais escuras, é recomendável começar com a intensidade mais baixa e ajustar gradualmente o nível de energia de acordo com a tolerância e a resposta da pele.

LISTA DE PEÇAS

1. Saída de luz
2. Sensor de detecção da pele
3. Botão de disparo da luz
4. Porta de alimentação
5. Indicador de nível
6. Botão liga/desliga/ajuste de níveis
7. Lâmpada de rejuvenescimento:
Filtro vermelho
8. Lâmpada de depilação: Filtro
amarelo
9. Luz indicadora de preparação



TESTE DE SENSIBILIDADE DA PELE

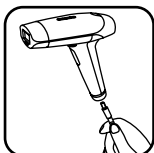
Se for a primeira vez que você usa o produto ou o aplica em uma área nova, primeiro selecione uma pequena área para realizar o teste de sensibilidade seguindo estas instruções:

1. Ligue o produto seguindo as instruções abaixo.
2. Escolha um nível baixo: nível 1 ou 2.
3. Realize o teste na área selecionada seguindo as instruções de operação e prestando atenção.
4. Verifique a condição da pele após 30 minutos.
5. Se a pele na área de teste estiver normal, você pode continuar usando o produto. Se a pele ficar vermelha ou inchada, espere 24 horas e repita o teste.

COMO USAR

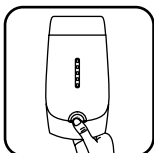


1. Antes da utilização, rapar todos os pêlos à volta da zona de tratamento. Limpar e secar bem a zona de tratamento para maximizar a quantidade de energia absorvida pelos folículos pilosos e obter o melhor efeito de tratamento.



2. Introduzir a ficha do adaptador de corrente na tomada de corrente do aparelho.

3. Ligue o adaptador à tomada eléctrica, o indicador de nível acende-se durante 2 segundos, o que indica que o aparelho foi ligado corretamente à corrente.



4. Premir e manter premido o botão de alimentação durante 2 segundos para ligar o aparelho.

5. O dispositivo possui 5 níveis (1-5). O nível 1 é o padrão quando você o ativa. Pressionar brevemente o botão de ajuste de nível aumenta o nível em um nível por vez, com o indicador correspondente acendendo. Quando o nível 5 for atingido, pressioná-lo novamente retorna ao nível 1, operando em um loop. Comece sempre em um nível baixo e aumente gradualmente conforme for apropriado. Ajuste o nível de acordo com a adaptabilidade da sua pele.



6. Utilize os óculos exclusivamente para este produto para evitar danos aos olhos.

7. Configurações manuais e automáticas de emissão de luz

a. Configurações manuais de emissão de luz.

A configuração padrão é a emissão de luz manual, o que significa que o dispositivo piscará uma vez cada vez que o botão de disparo de luz for pressionado (adequado para remoção de pelos em pequenas áreas).

b. Configurações automáticas de emissão de luz

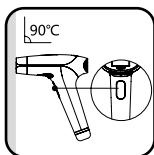
Após ligar o produto, pressione e segure o botão de disparo de luz por 2 segundos. A luz indicadora de prontidão piscará e o modo de transmissão automática será ativado. Basta aproximar a lâmpada da pele e o aparelho emitirá luz automaticamente (adequado para remoção de pelos em grandes áreas).

c. Atenção

Quando o produto estiver no modo de emissão automática, ao pressionar o botão de disparo da luz, você deve ter cuidado para não expor outras áreas à lâmpada e nunca permitir que outras pessoas a toquem.

d. Mudar para emissão de luz manual

Quando o produto estiver no modo de emissão automática, pressione e segure o botão de disparo de luz por 2 segundos. A luz indicadora de prontidão parará de piscar e o dispositivo retornará ao modo de transmissão manual.



8. Usando a lâmpada na área de depilação

Coloque o dispositivo em contato direto com a área a ser tratada e tente mantê-lo em um ângulo reto em relação à pele.

a. Modo de emissão manual:

Quando o produto estiver no modo de emissão manual e o indicador de prontidão estiver piscando, pressione o botão de disparo de luz para irradiar. A área coberta pela lâmpada será removida. Em seguida, mova-o para a próxima área de tratamento e, quando o indicador de prontidão piscar novamente, pressione o botão de disparo de luz novamente para irradiar. Repita esses passos. Recomenda-se irradiar cada área de 2 a 3 vezes.

b. Modo de emissão automática:

Quando o produto estiver no modo de emissão automática, o dispositivo emitirá luz automaticamente, não havendo necessidade de pressionar o botão de disparo de luz. A área coberta pela lâmpada será removida. Em seguida, mova-o para a próxima área de tratamento e certifique-se de que ele esteja em contato com sua pele; o dispositivo irradiará automaticamente. Repita esses passos. Recomenda-se irradiar cada área de 2 a 3 vezes.

Conselho: Quando o produto estiver no modo de emissão automática e a lâmpada permanecer fixa na pele sem se mover, ela irradiará a cada 8 segundos.

9. Após o uso, pressione e segure o botão liga/desliga por 2 segundos para desligar o produto. Ele desligará automaticamente em 5 minutos se nenhuma ação for tomada.
10. Desconecte o adaptador e remova-o da tomada.
11. Após 10 minutos, quando a lâmpada esfriar, limpe a saída de luz da lâmpada com um pano úmido sem álcool ou um pano macio.
12. Depois de limpos, guarde o produto e o adaptador na caixa da embalagem. Coloque a caixa em local seco e bem ventilado, fora do alcance de crianças.
13. Cuidados com a pele tratada: Após 20 minutos, limpe a pele tratada. Você pode aplicar produtos hidratantes ou reparadores para nutrir sua pele. Se sentir desconforto, aplique frio na área por 30 a 60 minutos até que a sensação de queimação desapareça.

ATENÇÃO

- Aplique gel de aloe vera ou um hidratante na pele tratada. Não use cosméticos irritantes imediatamente.
- Não molhe a área com água durante 2 horas após o tratamento. Não tome banho de sol, banhos quentes, banhos de vapor, etc., nas próximas 48 horas.
- Evite expor a pele tratada à luz solar direta por 2 horas após o tratamento. Recomenda-se realizar o tratamento à noite e, se sair, aplicar protetor solar.
- Não nade em piscinas por 48 horas após o tratamento.

CURSO DE TRATAMENTO

- **Primeiro mês (uma vez a cada 3–5 dias):**

Você não notará nenhuma mudança imediata na aparência do seu cabelo ou pele. O tratamento requer uso contínuo.

- **Segundo mês (uma vez por semana):**

O cabelo ficará mais fino e macio. Você verá os folículos capilares pretos caindo durante o banho.

- **Terceiro mês (uma vez a cada 15 dias):**

A maior parte dos pelos novos deixará de se regenerar intensamente e você poderá removê-los com cuidado. Apenas um pouco de cabelo permanecerá na área.

- **Quarto mês (uma vez a cada 30 dias):**

O cabelo desaparecerá. Você terá removido permanentemente os pelos da área tratada e conquistado uma pele perfeita.

Seguindo este guia de tratamento, o produto ajudará você a remover permanentemente os pelos de áreas específicas. Algumas peças não exigirão manutenção adicional; outras podem precisar de retoques a cada 6, 9 ou 12 meses.

SUBSTITUINDO A LÂMPADA



1. Pressione e segure o botão liga/desliga por 2 segundos para desligar o produto e, em seguida, desconecte o cabo de alimentação.
2. Segure a parte superior da alça com uma mão e a lâmpada com a outra, puxe-a para fora e insira a correspondente de acordo com a função (depilação - lente amarela, rejuvenescimento da pele / tratamento de acne - lente vermelha).

Vida útil da lâmpada

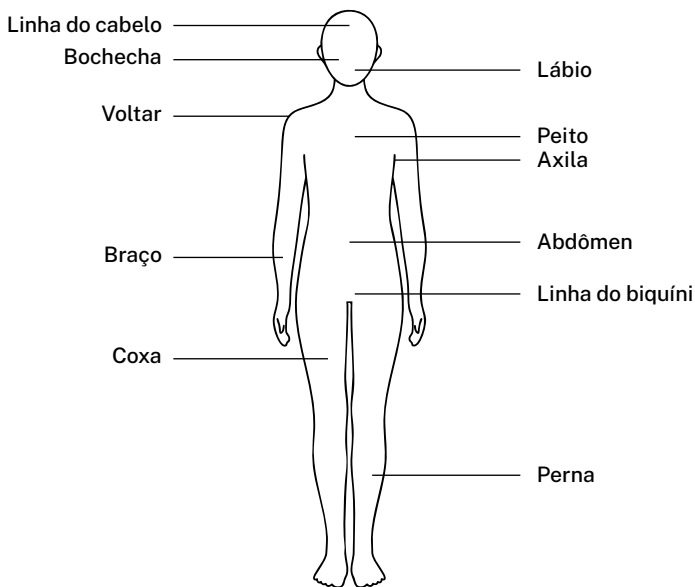
Lâmpada de depilação (lente amarela): 300.000 pulsos.

Lâmpada de rejuvenescimento da pele (lente vermelha): 100.000 pulsos.

FUNÇÃO DE REJUVENESCIMENTO DA PELE

1. Substitua a lâmpada de rejuvenescimento da pele. O dispositivo testará e identificará automaticamente o tipo de lâmpada após ser ligado.
2. Pressione o botão de ajuste de nível até atingir o nível 1, direcione a lâmpada para a área que necessita de rejuvenescimento da pele para irradiá-la.
3. Recomenda-se irradiar cada área uma vez e realizar o tratamento uma ou duas vezes por semana. Você poderá observar um efeito perceptível após manter o tratamento por 2 a 3 meses.

ÁREAS ADEQUADAS PARA TRATAMENTO



REAÇÕES ADVERSAS E CONTRAMEDIDAS RELACIONADAS

Todos os métodos cosméticos apresentam alguns riscos, e este produto não é exceção. Possíveis reações adversas e medidas correspondentes são:

- **Dor:** Como cada pessoa tem uma pele diferente, a sensação de dor varia. É raro que os usuários se sintam desconfortáveis. Pode ocorrer uma leve sensação de queimação que dura mais de um minuto, mas a maioria dos adultos e adolescentes consegue tolerá-la.
- **Leve vermelhidão ou sensação de queimação na pele:** É uma reação normal. Na maioria dos casos, esse desconforto desaparece sozinho após um curto período de tempo. Se o problema persistir por mais de 24 horas, entre em contato com o atendimento ao cliente.
- **Cheiro de cabelo queimado:** Indica que você não raspou todos os pelos antes de usar o aparelho. É normal.

ESPECIFICAÇÕES TÉCNICAS

PARÂMETRO	VALOR	PARÂMETRO	VALOR
Poder	36W	Comprimento do cabo	1,8 m
Variedade	Entrada: 100-240V ~ 50/60Hz Saída: 24 V 1,5 A	Ambiente externo	Temperatura: -20-60°C Humidade relativa: 20-90% de umidade sem condensação
Peso	0,32 kg	Fluência	4,7 J
Área de irradiação	4 cm ²	Dimensões	182x85x151 mm

SOLUÇÃO DE PROBLEMAS

PROBLEMA	CAUSA	SOLUÇÃO
Sem energia	A linha de energia não está conectada corretamente	Conecte a linha de energia. Uma vez conectado corretamente, o indicador de nível acenderá por 2 segundos.
O dispositivo não pode ser ligado	1. O botão liga/desliga não foi pressionado corretamente. 2. O botão liga/desliga não é pressionado por 2 segundos.	Ao ligar, aplique um pouco de força e segure o botão liga/desliga por pelo menos 2 segundos.
O indicador de nível pisca após ligar	A lâmpada não está instalada corretamente	Reinstalação da lâmpada: Desligue o aparelho e desconecte o cabo de alimentação antes de substituir a lâmpada.
Nenhuma luz é emitida quando o botão de disparo da luz é pressionado	1. A lâmpada não entra em contato com a pele. 2. A vida útil da lâmpada expirou. 3. O processo de carregamento terminou antes que o indicador de prontidão acendesse.	1. Faça a lâmpada tocar a pele. 2. Substitua a lâmpada. 3. Pressione o botão de disparo de luz depois que o indicador de prontidão estiver aceso.
Desligamento automático	O dispositivo desliga-se automaticamente após 5 minutos se não estiver em uso.	Pressione e segure o botão liga/desliga por 2 segundos para reiniciar.



Em conformidade com as diretrizes: 2012/19 / UE e 2015/863 / UE sobre a restrição do uso de substâncias perigosas em equipamentos elétricos e eletrônicos, bem como a eliminação de resíduos. O símbolo com o caixote do lixo cruzado mostrado na embalagem indica que o produto ao final de sua vida útil será coletado como lixo separado. Portanto, qualquer produto que tenha atingido o fim de sua vida útil deve ser entregue a centros especializados de eliminação de resíduos para coleta seletiva de equipamentos elétricos e eletrônicos, ou devolvido ao varejista ao comprar equipamentos novos similares, em um para uma base. A coleta seletiva apropriada para o comissionamento subsequente do equipamento enviado para reciclagem, tratamento e descarte de maneira ecológica ajuda a evitar possíveis efeitos negativos no meio ambiente e na saúde e otimiza a reciclagem e reutilização de os componentes que compõem o dispositivo. . A eliminação abusiva do produto pelo usuário implica a aplicação de sanções administrativas de acordo com as leis.

Merci d'avoir choisi notre épilateur à lumière pulsée. Avant d'utiliser cet appareil et pour garantir une utilisation optimale, veuillez lire attentivement les instructions.

Les mesures de sécurité décrites ici réduisent le risque d'incendie, de choc électrique et de blessure lorsqu'elles sont suivies correctement. Conservez le manuel dans un endroit sûr pour référence ultérieure, ainsi que la garantie, le reçu d'achat et la boîte. Le cas échéant, remettez ces instructions au futur propriétaire de l'appareil. Respectez toujours les consignes de sécurité de base et les mesures de prévention des risques lors de l'utilisation d'un appareil électrique. Le fabricant ne sera pas responsable des dommages résultant du non-respect de ces instructions par l'utilisateur.

CONSIGNES DE SÉCURITÉ

Lors de l'utilisation d'un appareil électrique, les précautions de sécurité de base suivantes doivent toujours être respectées.

- Le produit ne peut être utilisé que pour l'usage auquel il est destiné. Le fabricant ne peut être tenu responsable des dommages résultant d'une mauvaise utilisation ou d'une manipulation incorrecte.
- Ce dispositif cosmétique contient une haute tension. Ne pas démonter l'appareil.
- Ne pas bloquer les événements pendant l'utilisation. Ils servent à refroidir le produit.
- Ne laissez pas l'eau ou l'humidité pénétrer dans l'équipement.
- N'utilisez pas l'appareil si la fiche ou le cordon est endommagé.
- L'utilisation de l'appareil dans des conditions inflammables ou explosives est interdite.
- N'utilisez pas le produit dans l'une des conditions suivantes :
 - Chez les enfants et les personnes âgées.
 - Les personnes souffrant d'inflammation locale ou systémique ; les personnes ayant une peau photosensible ou celles utilisant des médicaments photosensibles.
 - Les utilisateurs de dispositifs médicaux électroniques implantés (par exemple, les stimulateurs cardiaques) et de systèmes de maintien des fonctions vitales (par exemple, les machines cœur-poumons artificielles), car ceux-ci peuvent provoquer des dysfonctionnements des dispositifs médicaux électroniques.
- L'utilisation du produit n'est pas recommandée aux femmes enceintes, qui tentent de devenir enceintes ou qui allaitent, car ce produit n'a pas été testé dans ces groupes.
- Les personnes qui ont pris un bain de soleil, utilisé des lits de bronzage ou utilisé des produits de bronzage artificiel ne doivent pas utiliser le produit immédiatement. Si vous n'êtes pas sûr si votre peau a été bronzée ou brûlée par le soleil, il est recommandé d'effectuer un test de sensibilité cutanée et d'attendre 24 heures.
- Ne pas utiliser directement sur les tatouages ou les taches sombres ou noires, car ils peuvent absorber de grandes quantités de lumière et provoquer une gêne cutanée.

- L'utilisation sur des zones sensibles telles que les yeux, le cou, les mamelons, les organes génitaux ou l'anus est interdite, car la peau de ces zones est particulièrement sensible et vulnérable.
- Ne pas appliquer trop longtemps sur la même zone ni répéter le processus trop de fois, car cela peut provoquer une chaleur excessive et une gêne sur la peau.
- Si votre peau apparaît rouge et gonflée pendant plus de 24 heures après l'utilisation, cessez immédiatement l'utilisation et consultez votre médecin ou le service client.
- Ne dirigez pas la lampe vers des parties vulnérables telles que les yeux lors de l'émission de lumière. Portez toujours une protection oculaire pendant l'utilisation.
- Ne regardez pas directement la lumière émise par la lampe ni même la lumière réfléchie, même si vous portez une protection oculaire.
- Avant utilisation, retirez tous les objets métalliques tels que bagues ou bracelets pour éviter tout dysfonctionnement de l'équipement.
- Gardez la pièce aérée.
- Tenir le produit hors de portée des enfants et le ranger hors de leur portée après utilisation.
- Il est strictement interdit de démonter ou de modifier ce produit et de l'utiliser de manière incorrecte. En cas de démontage sans autorisation, le produit perdra immédiatement son droit au service de garantie.
- Appliquez du gel d'aloë vera ou une crème hydratante sur la peau traitée. N'utilisez pas immédiatement de cosmétiques irritants.
- Assurez-vous que la peau traitée est propre avant de commencer la procédure.
- Pendant 2 heures après le traitement, ne mouillez pas la zone avec de l'eau. Ne prenez pas de bains chauds, de bains de vapeur, etc., pendant les 48 heures suivantes.
- Évitez d'exposer la peau traitée à la lumière directe du soleil pendant 2 heures après le traitement. Il est recommandé d'effectuer le traitement le soir et, si vous sortez, d'appliquer une crème solaire.
- Ne pas nager dans les piscines dans les 48 heures suivant le traitement.
- Si vous ignorez ces avertissements, l'utilisation de l'appareil peut provoquer des rougeurs et des gonflements de la peau, ainsi que des changements de couleur temporaires ou permanents.
- N'appuyez pas en continu sur le bouton de déclenchement de la lumière. Il suffit d'appuyer une fois dessus pour émettre un flash. Il est recommandé d'irradier chaque zone 2 à 3 fois (avec la lampe en contact total avec la peau).
- N'utilisez pas l'appareil en continu pendant plus de 25 minutes. Si la zone à traiter est grande, divisez-la en plusieurs séances. Après 25 minutes d'utilisation, débranchez l'appareil, laissez-le reposer 10 minutes, puis continuez.

PRÉSENTATION DU PRODUIT

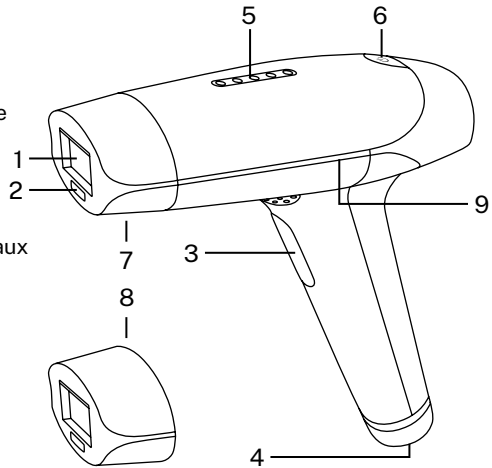
Cet appareil de soins de beauté est un outil innovant et multifonctionnel qui combine l'épilation au laser, le rajeunissement de la peau, le traitement de l'acné et d'autres avantages dans un seul appareil. Grâce à l'intégration d'une technologie optique avancée, il se présente comme une solution professionnelle, pratique et sûre dans le domaine de la beauté et des soins personnels.

Avant d'utiliser l'appareil, il est essentiel de lire attentivement toutes les instructions et précautions pour garantir une utilisation correcte et sûre. Sa conception privilégie à la fois le confort et la protection de l'utilisateur, et sa fabrication répond aux plus hauts standards de qualité.

Il est indiqué pour les hommes et les femmes qui souhaitent éliminer efficacement les poils indésirables. Le traitement est une thérapie entièrement physique et non invasive. Pour les peaux plus foncées, il est recommandé de commencer par l'intensité la plus faible et d'ajuster progressivement le niveau d'énergie en fonction de la tolérance et de la réponse de la peau.

LISTE DES PIÈCES

1. Sortie lumineuse
2. Capteur de détection de la peau
3. Bouton de déclenchement de la lumière
4. Port d'alimentation
5. Indicateur de niveau
6. Bouton marche/arrêt/réglage des niveaux
7. Lampe de rajeunissement : filtre rouge
8. Lampe d'épilation : filtre jaune
9. Voyant lumineux de préparation



TEST DE SENSIBILITÉ CUTANÉE

Si c'est la première fois que vous utilisez le produit ou que vous l'appliquez sur une nouvelle zone, sélectionnez d'abord une petite zone pour effectuer le test de sensibilité en suivant ces instructions :

1. Allumez l'appareil en suivant les instructions ci-dessous.
2. Choisissez un niveau bas : niveau 1 ou 2.
3. Effectuez le test dans la zone sélectionnée en suivant les instructions d'utilisation et en faisant attention.
4. Vérifiez l'état de la peau après 30 minutes.
5. Si la peau de la zone de test est normale, vous pouvez continuer à utiliser le produit. Si la peau devient rouge ou gonflée, attendez 24 heures et répétez le test.

COMMENT UTILISER



1. Avant l'utilisation, raser tous les poils autour de la zone de traitement. Nettoyez et séchez soigneusement la zone afin de maximiser la quantité d'énergie absorbée par les follicules pileux et d'obtenir le meilleur effet de traitement.



2. Insérez la fiche de l'adaptateur dans la prise de courant de l'appareil.
3. Branchez l'adaptateur dans la prise de courant, l'indicateur de niveau s'allume pendant 2 secondes, ce qui indique que l'appareil a été correctement branché.



4. Appuyez sur le bouton d'alimentation et maintenez-le enfoncé pendant 2 secondes pour allumer l'appareil.

5. L'appareil dispose de 5 niveaux (1-5). Le niveau 1 est le niveau par défaut lorsque vous l'activez. Une brève pression sur le bouton de réglage du niveau augmente le niveau d'un niveau à la fois, l'indicateur correspondant s'allumant. Une fois le niveau 5 atteint, appuyer à nouveau revient au niveau 1, fonctionnant en boucle. Commencez toujours à un niveau bas et augmentez-le progressivement si nécessaire. Ajustez le niveau en fonction de l'adaptabilité de votre peau.



6. Utilisez les lunettes exclusivement pour ce produit afin d'éviter des lésions oculaires.

7. Réglages manuels et automatiques de l'émission lumineuse

- a. Réglages manuels d'émission de lumière.

Le réglage par défaut est l'émission manuelle de lumière, ce qui signifie que l'appareil clignotera une fois à chaque fois que le bouton de déclenchement de la lumière est enfoncé (convient à l'épilation sur de petites zones).

- b. Paramètres automatiques d'émission de lumière

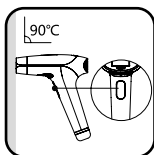
Après avoir allumé l'appareil, appuyez sur le bouton de déclenchement de la lumière et maintenez-le enfoncé pendant 2 secondes. Le voyant de préparation clignotera et le mode de diffusion automatique s'activera. Il suffit d'approcher la lampe de la peau et l'appareil émettra automatiquement de la lumière (adapté à l'épilation sur de grandes surfaces).

- c. Attention

Lorsque l'appareil est en mode d'émission automatique, lorsque vous appuyez sur le bouton de déclenchement de la lumière, vous devez faire attention à ne pas exposer d'autres zones à la lampe et ne jamais permettre à d'autres personnes de la toucher.

d. Passer à l'émission lumineuse manuelle

Lorsque l'appareil est en mode d'émission automatique, appuyez sur le bouton de déclenchement de la lumière et maintenez-le enfoncé pendant 2 secondes. Le voyant de préparation cessera de clignoter et l'appareil reviendra en mode de diffusion manuelle.



8. Utilisation de la lampe dans la zone d'épilation

Placez l'appareil en contact direct avec la zone à traiter et essayez de le maintenir à angle droit par rapport à la peau.

a. Mode d'émission manuel :

Lorsque l'appareil est en mode d'émission manuel et que l'indicateur de préparation clignote, appuyez sur le bouton de déclenchement de la lumière pour irradier. La zone couverte par la lampe sera épilée. Ensuite, déplacez-le vers la zone de traitement suivante et, lorsque l'indicateur de préparation clignote à nouveau, appuyez à nouveau sur le bouton de déclenchement de la lumière pour irradier. Répétez ces étapes. Il est recommandé d'irradier chaque zone 2 à 3 fois.

b. Mode d'émission automatique :

Lorsque l'appareil est en mode d'émission automatique, l'appareil émet automatiquement de la lumière, il n'est donc pas nécessaire d'appuyer sur le bouton de déclenchement de la lumière. La zone couverte par la lampe sera épilée. Ensuite, déplacez-le vers la zone de traitement suivante et assurez-vous qu'il est en contact avec votre peau ; l'appareil irradiera automatiquement. Répétez ces étapes. Il est recommandé d'irradier chaque zone 2 à 3 fois.

Conseil: Lorsque l'appareil est en mode d'émission automatique et que la lampe reste fixée sur la peau sans bouger, elle irradiera toutes les 8 secondes.

9. Après utilisation, appuyez sur le bouton d'alimentation et maintenez-le enfoncé pendant 2 secondes pour éteindre l'appareil. Il s'éteindra automatiquement dans 5 minutes si aucune action n'est entreprise.
10. Débranchez l'adaptateur et retirez-le de la prise de courant.
11. Après 10 minutes, lorsque la lampe a refroidi, nettoyez la sortie lumineuse de la lampe avec un chiffon humide sans alcool ou un tissu doux.
12. Une fois nettoyé, rangez l'appareil et l'adaptateur dans la boîte d'emballage. Placer la boîte dans un endroit sec et bien aéré, hors de portée des enfants.
13. Soins de la peau traitée : Après 20 minutes, nettoyez la peau traitée. Vous pouvez appliquer des produits hydratants ou réparateurs pour nourrir votre peau. Si vous ressentez une gêne, appliquez du froid sur la zone pendant 30 à 60 minutes jusqu'à ce que la sensation de brûlure disparaisse.

ATTENTION

- Appliquez du gel d'aloë vera ou une crème hydratante sur la peau traitée. N'utilisez pas immédiatement de cosmétiques irritants.
- Pendant 2 heures après le traitement, ne mouillez pas la zone avec de l'eau. Ne prenez pas de bains chauds, de bains de vapeur, etc., pendant les 48 heures suivantes.
- Évitez d'exposer la peau traitée à la lumière directe du soleil pendant 2 heures après le traitement. Il est recommandé d'effectuer le traitement le soir et, si vous sortez, d'appliquer une crème solaire.
- Ne pas nager dans les piscines dans les 48 heures suivant le traitement.

DÉROULEMENT DU TRAITEMENT

- **Premier mois (une fois tous les 3 à 5 jours) :**

Vous ne remarquerez aucun changement immédiat dans l'apparence de vos cheveux ou de votre peau. Le traitement nécessite une utilisation continue.

- **Deuxième mois (une fois par semaine) :**

Les cheveux deviendront plus fins et plus doux. Vous verrez les follicules pileux noirs tomber pendant votre douche.

- **Troisième mois (une fois tous les 15 jours) :**

La plupart des nouveaux cheveux cesseront de se régénérer fortement et vous pourrez les retirer en douceur. Il ne restera que quelques cheveux dans la zone.

- **Quatrième mois (une fois tous les 30 jours) :**

Les cheveux disparaîtront. Vous aurez définitivement éliminé les poils de la zone traitée et obtenu une peau parfaite.

En suivant ce guide de traitement, l'appareil vous aidera à éliminer définitivement les poils de zones spécifiques. Certaines pièces ne nécessiteront aucun entretien supplémentaire ; d'autres pourront nécessiter des retouches tous les 6, 9 ou 12 mois.

REPLACEMENT DE LA LAMPE



1. Appuyez sur le bouton d'alimentation et maintenez-le enfoncé pendant 2 secondes pour éteindre l'appareil, puis débranchez le cordon d'alimentation.
2. Tenez le haut de la poignée d'une main et la lampe de l'autre, retirez-la et insérez celle correspondante selon la fonction (épilation - lentille jaune, rajeunissement de la peau / traitement de l'acné - lentille rouge).

Durée de vie de la lampe

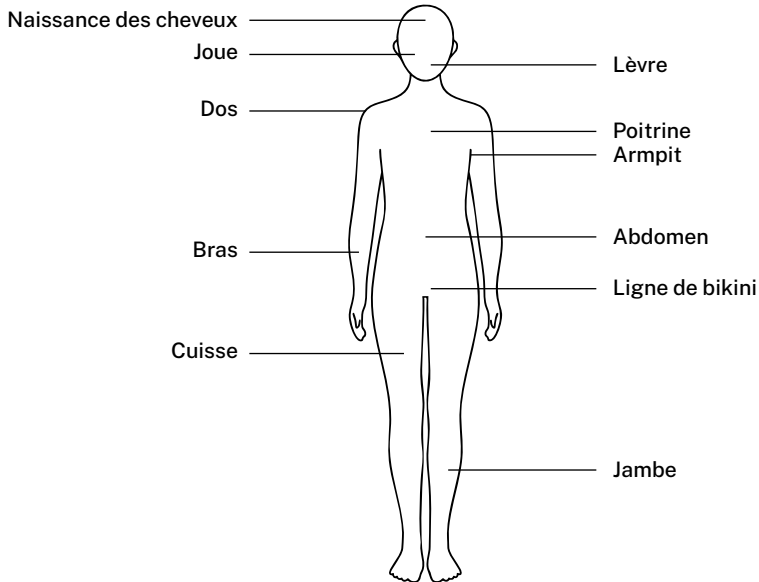
Lampe d'épilation (lentille jaune) : 300 000 impulsions.

Lampe de rajeunissement de la peau (lentille rouge) : 100 000 impulsions.

FONCTION DE RAJEUNISSEMENT DE LA PEAU

1. Remplacez la lampe de rajeunissement de la peau. L'appareil testera et identifiera automatiquement le type de lampe après la mise sous tension.
2. Appuyez sur le bouton de réglage du niveau jusqu'à atteindre le niveau 1, dirigez la lampe vers la zone nécessitant un rajeunissement de la peau pour l'irradier.
3. Il est recommandé d'irradier chaque zone une fois et d'effectuer le traitement une à deux fois par semaine. Vous pourrez observer un effet notable après avoir maintenu le traitement pendant 2 à 3 mois.

ZONES ADAPTÉES AU TRAITEMENT



EFFETS INDÉSIRABLES ET CONTRE-MESURES ASSOCIÉES

Toutes les méthodes cosmétiques comportent certains risques, et ce produit ne fait pas exception. Les effets indésirables possibles et les mesures correspondantes sont les suivants :

- **Douleur:** Comme chaque personne a une peau différente, la sensation de douleur varie. Il est rare que les utilisateurs se sentent mal à l'aise. Une légère sensation de brûlure durant plus d'une minute peut survenir, mais la plupart des adultes et des adolescents peuvent la tolérer.
- **Légère rougeur de la peau ou sensation de brûlure:** C'est une réaction normale. Dans la plupart des cas, cet inconfort disparaîtra de lui-même après un court laps de temps. Si le problème persiste pendant plus de 24 heures, veuillez contacter le service client.
- **Odeur de cheveux brûlés :** Indique que vous n'avez pas rasé tous les poils avant d'utiliser l'appareil. C'est normal.

SPÉCIFICATIONS TECHNIQUES

PARAMÈTRE	VALEUR	PARAMÈTRE	VALEUR
Pouvoir	36W	Longueur du câble	1,8 m
Souche	Entrée : 100-240 V ~ 50/60Hz Sortie: 24 V 1,5 A	Environnement externe	Température: -20-60°C Humidité relative : 20 à 90 % d'humidité sans condensation
Poids	0,32 kg	Aisance	4,7 J
Zone d'irradiation	4 cm ²	Dimensions	182x85x151 mm

DÉPANNAGE

PROBLÈME	CAUSE	SOLUTION
Pas de courant	La ligne électrique n'est pas correctement connectée	Connectez la ligne électrique. Une fois correctement connecté, l'indicateur de niveau s'allumera pendant 2 secondes.
L'appareil ne peut pas être allumé	<ol style="list-style-type: none"> 1. Le bouton d'alimentation n'est pas enfoncé correctement. 2. Le bouton d'alimentation n'est pas maintenu enfoncé pendant 2 secondes. 	Lors de la mise sous tension, appliquez une légère force et maintenez le bouton d'alimentation enfoncé pendant au moins 2 secondes.
L'indicateur de niveau clignote après la mise sous tension	La lampe n'est pas installée correctement	Réinstallation de la lampe : Éteignez l'appareil et débranchez le cordon d'alimentation avant de remplacer la lampe.
Aucune lumière n'est émise lorsque le bouton de déclenchement de la lumière est enfoncé	<ol style="list-style-type: none"> 1. La lampe n'est pas en contact avec la peau. 2. La durée de vie de la lampe a expiré. 3. Le processus de charge s'est terminé avant que l'indicateur de disponibilité ne s'allume. 	<ol style="list-style-type: none"> 1. Faites en sorte que la lampe touche la peau. 2. Remplacer la lampe. 3. Appuyez sur le bouton de déclenchement de la lumière une fois que l'indicateur de préparation est allumé.
Arrêt automatique	L'appareil s'éteint automatiquement après 5 minutes s'il n'est pas utilisé.	Appuyez sur le bouton d'alimentation et maintenez-le enfoncé pendant 2 secondes pour redémarrer.



Conformément aux directives: 2012/19 / UE et 2015/863 / UE sur la limitation de l'utilisation de substances dangereuses dans les équipements électriques et électroniques, ainsi que leur élimination des déchets. Le symbole avec la poubelle croisée indiqué sur l'emballage indique que le produit à la fin de sa durée de vie sera collecté en tant que déchet séparé. Par conséquent, tout produit ayant atteint la fin de sa durée de vie doit être livré dans des centres d'élimination des déchets spécialisés pour la collecte sélective des déchets d'équipements électriques et électroniques, ou retourné au détaillant lors de l'achat de nouveaux équipements similaires, en un seul pour une base. Une collecte séparée appropriée pour la mise en service ultérieure des équipements expédiés pour être recyclés, traités et éliminés d'une manière respectueuse de l'environnement aide à prévenir les effets négatifs potentiels sur l'environnement et la santé et optimise le recyclage et la réutilisation des les composants qui composent l'appareil. L'élimination abusive du produit par l'utilisateur implique l'application de sanctions administratives conformément aux lois.

Grazie per aver scelto il nostro epilatore a luce pulsata. Prima di utilizzare questo apparecchio e per garantirne il miglior utilizzo, leggere attentamente le istruzioni.

Le misure di sicurezza qui descritte riducono il rischio di incendi, scosse elettriche e lesioni se seguite correttamente. Conservare il manuale in un luogo sicuro per riferimento futuro, insieme alla garanzia, alla ricevuta d'acquisto e alla scatola. Se necessario, consegnare queste istruzioni al futuro proprietario dell'apparecchio. Quando si utilizza un apparecchio elettrico, seguire sempre le istruzioni di sicurezza di base e le misure di prevenzione dei rischi. Il produttore non sarà responsabile per eventuali danni derivanti dalla mancata osservanza delle presenti istruzioni da parte dell'utente.

ISTRUZIONI DI SICUREZZA

Quando si utilizza un apparecchio elettrico, è necessario osservare sempre le seguenti precauzioni di sicurezza di base.

- Il prodotto può essere utilizzato solo per lo scopo per cui è stato concepito. Il produttore non è responsabile per danni derivanti da un uso improprio o da una manipolazione scorretta.
- Il dispositivo cosmetico contiene alta tensione. Non smontare il dispositivo.
- Non ostruire le prese d'aria durante l'uso. Servono per raffreddare il prodotto.
- Non lasciare che acqua o umidità penetrino nell'apparecchiatura.
- Non utilizzare il dispositivo se la spina o il cavo sono danneggiati.
- È vietato l'uso del dispositivo in condizioni infiammabili o esplosive.
- Non utilizzare il prodotto in nessuna delle seguenti condizioni:
 - Nei bambini e negli anziani.
 - Persone con infiammazione locale o sistemica; persone con pelle fotosensibile o che assumono farmaci fotosensibili.
 - Utenti di dispositivi medici elettronici impiantati (ad esempio, pacemaker cardiaci) e sistemi di supporto vitale (ad esempio, macchine cuore-polmoni artificiali), poiché potrebbero causare malfunzionamenti dei dispositivi medici elettronici.
- L'uso del prodotto non è raccomandato alle donne in gravidanza, che stanno cercando una gravidanza o che allattano, poiché il prodotto non è stato testato su questi gruppi.
- Le persone che hanno preso il sole, hanno utilizzato lettini abbronzanti o hanno utilizzato prodotti abbronzanti artificiali non devono utilizzare il prodotto immediatamente. Se non sei sicuro se la tua pelle è abbronzata o scottata dal sole, ti consigliamo di eseguire un test di sensibilità cutanea e di attendere 24 ore.
- Non utilizzare direttamente su tatuaggi o macchie scure o nere, poiché possono assorbire grandi quantità di luce e causare fastidio alla pelle.

- È vietato l'uso su zone sensibili come occhi, collo, capezzoli, genitali o ano, poiché la pelle di queste zone è particolarmente sensibile e vulnerabile.
- Non applicare il prodotto sulla stessa zona per troppo tempo e non ripetere il processo troppe volte, poiché ciò potrebbe causare calore eccessivo e fastidio alla pelle.
- Se la pelle appare arrossata e gonfia per più di 24 ore dopo l'uso, interrompere immediatamente l'uso e consultare il medico o il servizio clienti.
- Non dirigere la lampada verso parti vulnerabili come gli occhi quando emette luce. Indossare sempre protezioni per gli occhi durante l'uso.
- Non guardare direttamente la luce emessa dalla lampada o quella riflessa, anche se si indossano protezioni per gli occhi.
- Prima dell'uso, rimuovere tutti gli oggetti metallici, come anelli o braccialetti, per evitare malfunzionamenti dell'apparecchiatura.
- Mantenere la stanza ventilata.
- Tenere il prodotto fuori dalla portata dei bambini e riporlo fuori dalla loro portata dopo l'uso.
- È severamente vietato smontare o modificare questo prodotto e utilizzarlo in modo improprio. Se smontato senza autorizzazione, il prodotto perderà immediatamente il diritto al servizio di garanzia.
- Applicare sulla pelle trattata il gel di aloe vera o una crema idratante. Non utilizzare subito cosmetici irritanti.
- Prima di iniziare la procedura, assicurarsi che la pelle trattata sia pulita.
- Per 2 ore dopo il trattamento, non bagnare la zona con acqua. Non prendere il sole, non fare bagni caldi, bagni di vapore, ecc. per le successive 48 ore.
- Evitare di esporre la pelle trattata alla luce solare diretta per 2 ore dopo il trattamento. Si consiglia di effettuare il trattamento di notte e, se si esce, applicare una protezione solare.
- Non nuotare in piscina per 48 ore dopo il trattamento.
- Se si ignorano queste avvertenze, l'uso del dispositivo potrebbe causare arrossamento e gonfiore della pelle, nonché alterazioni temporanee o permanenti del colore.
- Non premere continuamente il pulsante di attivazione della luce. Basta premerlo una volta per emettere un flash. Si consiglia di irradiare ciascuna zona 2 o 3 volte (con la lampada a pieno contatto con la pelle).
- Non utilizzare l'apparecchio ininterrottamente per più di 25 minuti. Se l'area da trattare è ampia, suddividerla in più sedute. Dopo 25 minuti di utilizzo, scollegare l'apparecchio, lasciarlo riposare per 10 minuti e poi riprendere.

INTRODUZIONE AL PRODOTTO

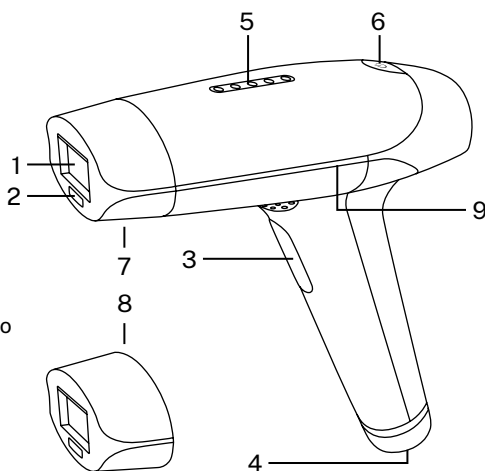
Questo dispositivo per la cura della bellezza è uno strumento innovativo e multifunzionale che combina la depilazione laser, il ringiovanimento della pelle, il trattamento dell'acne e altri benefici in un unico dispositivo. Grazie all'integrazione di tecnologie ottiche avanzate, si presenta come una soluzione professionale, pratica e sicura nel campo della bellezza e della cura della persona.

Prima di utilizzare il dispositivo è fondamentale leggere attentamente tutte le istruzioni e le precauzioni per garantirne un utilizzo corretto e sicuro. Il suo design privilegia sia il comfort che la protezione dell'utente e la sua produzione soddisfa i più elevati standard qualitativi.

È indicato per uomini e donne che desiderano rimuovere efficacemente i peli superflui. Il trattamento è una terapia completamente fisica e non invasiva. Per le pelli più scure, si consiglia di iniziare con l'intensità più bassa e di regolare gradualmente il livello di energia in base alla tolleranza e alla risposta della pelle.

ELENCO DEI PEZZI

1. Uscita luce
2. Sensore di rilevamento della pelle
3. Pulsante di attivazione della luce
4. Porta di alimentazione
5. Indicatore di livello
6. Pulsante di accensione/spengimento/
regolazione dei livelli
7. Lampada di ringiovanimento: filtro rosso
8. Lampada di depilazione: filtro giallo
9. Spia luminosa di preparazione



TEST DI SENSIBILITÀ CUTANEA

Se è la prima volta che usi il prodotto o lo applichi su una nuova area, seleziona prima una piccola area su cui eseguire il test di sensibilità seguendo queste istruzioni:

1. Accendere il dispositivo seguendo le istruzioni riportate di seguito.
2. Scegli un livello basso: livello 1 o 2.
3. Eseguire il test nell'area selezionata seguendo le istruzioni operative e prestando attenzione.
4. Controllare le condizioni della pelle dopo 30 minuti.
5. Se la pelle nella zona del test è normale, è possibile continuare a utilizzare il prodotto. Se la pelle diventa rossa o gonfia, attendere 24 ore e ripetere il test.

COME USARE



1. Prima dell'uso, radere tutti i peli attorno alla zona da trattare. Pulire e asciugare accuratamente la zona interessata per massimizzare la quantità di energia assorbita dai follicoli piliferi e ottenere il miglior effetto del trattamento.



2. Inserire la spina dell'adattatore di alimentazione nella presa di corrente del dispositivo.
3. Collegare l'adattatore alla presa elettrica; l'indicatore di alimentazione si accenderà per 2 secondi, indicando che il dispositivo è stato collegato all'alimentazione.



4. Per accendere il dispositivo, tenere premuto il pulsante di accensione per 2 secondi.

5. Il dispositivo ha 5 livelli (1-5). Il livello 1 è quello predefinito quando lo si attiva. Premendo brevemente il pulsante di regolazione del livello, il livello aumenta di un livello alla volta, con l'accensione dell'indicatore corrispondente. Una volta raggiunto il livello 5, premendolo nuovamente si torna al livello 1, funzionando in loop. Iniziare sempre da un livello basso e aumentarlo gradualmente, se necessario. Regola il livello in base all'adattabilità della tua pelle.



6. Per evitare danni agli occhi, utilizzare gli occhiali esclusivamente per questo prodotto.

7. Impostazioni di emissione della luce manuali e automatiche

a. Impostazioni manuali dell'emissione luminosa.

L'impostazione predefinita è l'emissione manuale della luce, il che significa che il dispositivo lampeggerà una volta ogni volta che si preme il pulsante di attivazione della luce (adatto per la depilazione di piccole aree).

b. Impostazioni automatiche di emissione della luce

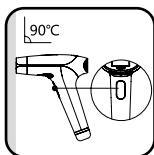
Dopo aver acceso il dispositivo, tenere premuto il pulsante di attivazione della luce per 2 secondi. La spia luminosa di prontezza lampeggerà e la modalità di trasmissione automatica si attiverà. Basta avvicinare la lampada alla pelle e il dispositivo emetterà automaticamente luce (adatto per la depilazione di ampie zone).

c. Attenzione

Quando il dispositivo è in modalità di emissione automatica, quando si preme il pulsante di attivazione della luce bisogna fare attenzione a non esporre altre aree alla lampada e non permettere mai ad altre persone di toccarla.

d. Passa all'emissione manuale della luce

Quando il dispositivo è in modalità di emissione automatica, tenere premuto il pulsante di attivazione della luce per 2 secondi. La spia di disponibilità smetterà di lampeggiare e il dispositivo tornerà alla modalità di trasmissione manuale.



8. Utilizzo della lampada nella zona di depilazione

Posizionare il dispositivo a diretto contatto con la zona da trattare e cercare di mantenerlo ad angolo retto rispetto alla pelle.

a. Modalità di emissione manuale:

Quando il dispositivo è in modalità di emissione manuale e l'indicatore di prontezza lampeggia, premere il pulsante di attivazione della luce per irradiare. La zona coperta dalla lampada verrà depilata. Quindi, spostarlo sulla successiva area di trattamento e, quando l'indicatore di prontezza lampeggia di nuovo, premere nuovamente il pulsante di attivazione della luce per irradiare. Ripetere questi passaggi. Si consiglia di irradiare ciascuna area 2 o 3 volte.

b. Modalità di emissione automatica:

Quando il dispositivo è in modalità di emissione automatica, il dispositivo emette automaticamente luce, quindi non è necessario premere il pulsante di attivazione della luce. La zona coperta dalla lampada verrà depilata. Quindi, spostalo sulla zona da trattare successiva e assicurati che sia a contatto con la pelle; il dispositivo irradierà automaticamente. Ripetere questi passaggi. Si consiglia di irradiare ciascuna area 2 o 3 volte.

Consiglio: Quando il dispositivo è in modalità di emissione automatica e la lampada rimane fissa sulla pelle senza muoversi, irradierà ogni 8 secondi.

9. Dopo l'uso, tenere premuto il pulsante di accensione per 2 secondi per spegnere il dispositivo. Se non si interviene, si spegnerà automaticamente dopo 5 minuti.
10. Scollegare l'adattatore e rimuoverlo dalla presa di corrente.
11. Dopo 10 minuti, quando la lampada si è raffreddata, pulire l'uscita della luce con un panno umido e privo di alcol o con un panno morbido.
12. Una volta puliti, riporre il dispositivo cosmetico e l'adattatore nella scatola di imballaggio. Riporre la scatola in un luogo asciutto e ben ventilato, fuori dalla portata dei bambini.
13. Cura della pelle trattata: Dopo 20 minuti, pulire la pelle trattata. Puoi applicare prodotti idratanti o riparatori per nutrire la tua pelle. In caso di fastidio, applicare freddo sulla zona interessata per 30-60 minuti, finché la sensazione di bruciore non scompare.

ATTENZIONE

- Applicare sulla pelle trattata il gel di aloe vera o una crema idratante. Non utilizzare subito cosmetici irritanti.
- Per 2 ore dopo il trattamento, non bagnare la zona con acqua. Non prendere il sole, non fare bagni caldi, bagni di vapore, ecc. per le successive 48 ore.
- Evitare di esporre la pelle trattata alla luce solare diretta per 2 ore dopo il trattamento. Si consiglia di effettuare il trattamento di notte e, se si esce, applicare una protezione solare.
- Non nuotare in piscina per 48 ore dopo il trattamento.

CORSO DI TRATTAMENTO

- **Primo mese (una volta ogni 3-5 giorni):**

Non noterai alcun cambiamento immediato nell'aspetto dei tuoi capelli o della tua pelle. Il trattamento richiede un uso continuato.

- **Secondo mese (una volta a settimana):**

I capelli diventeranno più fini e morbidi. Durante la doccia vedrai cadere i follicoli piliferi neri.

- **Terzo mese (una volta ogni 15 giorni):**

La maggior parte dei nuovi capelli smetterà di rigenerarsi e potrai rimuoverli delicatamente. Nella zona rimarranno solo pochi capelli.

- **Quarto mese (una volta ogni 30 giorni):**

I peli scompariranno. Avrai rimosso definitivamente i peli dalla zona trattata e ottenuto una pelle perfetta.

Seguendo questa guida al trattamento, il dispositivo ti aiuterà a rimuovere definitivamente i peli da aree specifiche. Alcune parti non richiedono alcuna manutenzione aggiuntiva; altre potrebbero richiedere ritocchi ogni 6, 9 o 12 mesi.

SOSTITUZIONE DELLA LAMPADA



1. Tenere premuto il pulsante di accensione per 2 secondi per spegnere il dispositivo, quindi scollegare il cavo di alimentazione.
2. Afferrare la parte superiore dell'impugnatura con una mano e la lampada con l'altra, estrarla e inserire quella corrispondente alla funzione (epilazione - lente gialla, ringiovanimento della pelle / trattamento dell'acne - lente rossa).

Durata della lampada

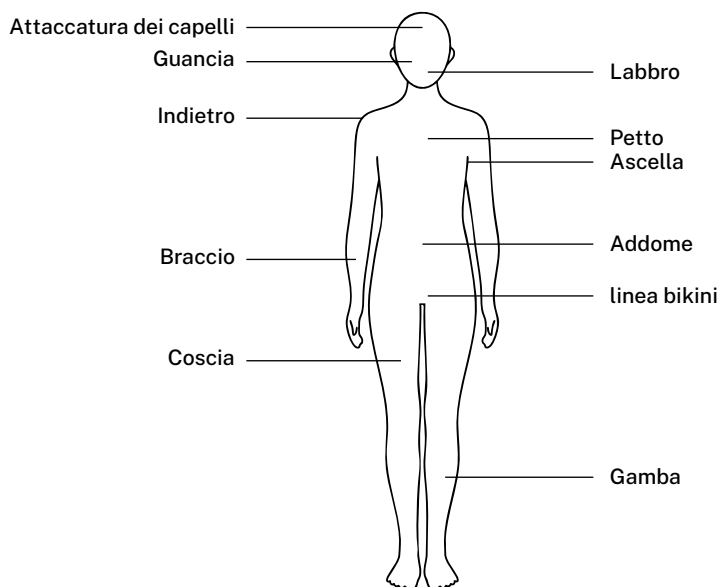
Lampada per la depilazione (lente gialla): 300.000 impulsi.

Lampada per il ringiovanimento della pelle (lente rossa): 100.000 impulsi.

FUNZIONE DI RINGIOVANIMENTO DELLA PELLE

1. Sostituire la lampada per il ringiovanimento della pelle. Dopo l'accensione, il dispositivo testerà e identificherà automaticamente il tipo di lampada.
2. Premere il pulsante di regolazione del livello fino a raggiungere il livello 1, quindi dirigere la lampada sulla zona da trattare per irradiarla.
3. Si consiglia di irradiare ogni zona una volta e di eseguire il trattamento una o due volte a settimana. Sarà possibile osservare un effetto evidente dopo aver continuato il trattamento per 2-3 mesi.

AREE ADATTE AL TRATTAMENTO



REAZIONI AVVERSE E RELATIVE CONTROMISURE

Tutti i metodi cosmetici comportano dei rischi e questo prodotto non fa eccezione. Le possibili reazioni avverse e le relative misure sono:

- **Dolore:** Poiché ogni persona ha una pelle diversa, la sensazione di dolore varia. È raro che gli utenti si sentano a disagio. Potrebbe verificarsi una leggera sensazione di bruciore che dura più di un minuto, ma la maggior parte degli adulti e degli adolescenti riesce a tollerarla.
- **Lieve arrossamento della pelle o sensazione di bruciore:** È una reazione normale. Nella maggior parte dei casi, questo fastidio scompare spontaneamente dopo poco tempo. Se il problema persiste per più di 24 ore, contattare il servizio clienti.
- **Odore di capelli bruciati:** Indica che non hai rasato tutti i peli prima di utilizzare l'apparecchio. È normale.

SPECIFICHE TECNICHE

PARAMETRO	DI VALORE	PARAMETRO	DI VALORE
Energia	36W	Lunghezza del cavo	1,8 metri
Sottoporre tensione a	Ingresso: 100-240 V~ 50/60 Hz Uscita: 24 V 1,5 A	Ambiente esterno	Temperatura: -20~60°C Umidità relativa: 20-90% di umidità non condensante
Peso	0,32 kg	Fluidità	4,7 J
Area irradiazione di	4 centimetri ²	Dimensioni	182x85x151 mm

RISOLUZIONE DEI PROBLEMI

PROBLEMA	CAUSA	SOLUZIONE
Nessun potere	La linea elettrica non è collegata correttamente	Collegare la linea elettrica. Una volta effettuato il collegamento correttamente, l'indicatore di livello si illuminerà per 2 secondi.
Il dispositivo non può essere acceso	<ol style="list-style-type: none"> 1. Il pulsante di accensione non è premuto correttamente. 2. Il pulsante di accensione non viene tenuto premuto per 2 secondi. 	Per accenderlo, esercitare una leggera forza e tenere premuto il pulsante di accensione per almeno 2 secondi.
L'indicatore di livello lampeggia dopo l'accensione	La lampada non è installata correttamente	Reinstallazione della lampada: spegnere l'apparecchio e scollegare il cavo di alimentazione prima di sostituire la lampada.
Non viene emessa alcuna luce quando si preme il pulsante di attivazione della luce	<ol style="list-style-type: none"> 1. La lampada non è a contatto con la pelle. 2. La durata della lampada è scaduta. 3. Il processo di ricarica è terminato prima che l'indicatore di prontezza si accendesse. 	<ol style="list-style-type: none"> 1. Fate in modo che la lampada tocchi la pelle. 2. Sostituire la lampada. 3. Premere il pulsante di attivazione della luce dopo che l'indicatore di prontezza si è acceso.
Spegnimento automatico	Se non viene utilizzato, il dispositivo si spegne automaticamente dopo 5 minuti.	Per riavviare, tenere premuto il pulsante di accensione per 2 secondi.



In conformità con le direttive: 2012/19 / UE e 2015/863 / UE sulla restrizione dell'uso di sostanze pericolose nelle apparecchiature elettriche ed elettroniche, nonché sul loro smaltimento dei rifiuti. Il simbolo con la pattumiera incrociata mostrato sulla confezione indica che il prodotto al termine della sua vita utile verrà raccolto come rifiuto separato. Pertanto, qualsiasi prodotto che ha raggiunto la fine della sua vita utile deve essere consegnato a centri specializzati di smaltimento dei rifiuti per la raccolta selettiva di rifiuti di apparecchiature elettriche ed elettroniche o restituito al rivenditore al momento dell'acquisto di nuove apparecchiature simili, in un'unica per una base. Una corretta raccolta separata per la successiva messa in servizio di apparecchiature spedite per essere riciclate, trattate e smaltite in modo ecologico aiuta a prevenire potenziali effetti negativi sull'ambiente e sulla salute e ottimizza il riciclaggio e il riutilizzo di i componenti che compongono il dispositivo. . L'eliminazione abusiva del prodotto da parte dell'utente implica l'applicazione di sanzioni amministrative in conformità con le leggi.

Vielen Dank, dass Sie sich für unseren Pulslicht-Epilierer entschieden haben. Um eine optimale Nutzung dieses Geräts zu gewährleisten, lesen Sie bitte vor der Verwendung die Anweisungen sorgfältig durch.

Die hier beschriebenen Sicherheitsmaßnahmen verringern bei korrekter Befolgung das Risiko von Bränden, Stromschlägen und Verletzungen. Bewahren Sie das Handbuch sowie die Garantie, den Kaufbeleg und die Verpackung zur späteren Verwendung an einem sicheren Ort auf. Geben Sie diese Anleitung gegebenenfalls an den zukünftigen Besitzer des Gerätes weiter. Befolgen Sie beim Gebrauch eines Elektrogeräts immer die grundlegenden Sicherheitshinweise und Maßnahmen zur Risikovermeidung. Der Hersteller haftet nicht für Schäden, die durch die Nichtbeachtung dieser Anweisungen durch den Benutzer entstehen.

SICHERHEITSHINWEISE

Bei der Verwendung von Elektrogeräten sollten stets die folgenden grundlegenden Sicherheitsvorkehrungen beachtet werden.

- Das Produkt darf nur für den vorgesehenen Zweck verwendet werden. Für Schäden, die durch unsachgemäßen Gebrauch oder falsche Handhabung entstehen, haftet der Hersteller nicht.
- Das Kosmetikgerät steht unter Hochspannung. Zerlegen Sie das Gerät nicht.
- Blockieren Sie die Lüftungsschlitze während des Gebrauchs nicht. Sie dienen der Kühlung des Produkts.
- Achten Sie darauf, dass weder Wasser noch Feuchtigkeit in das Gerät eindringen.
- Verwenden Sie das Gerät nicht, wenn der Stecker oder das Kabel beschädigt ist.
- Der Einsatz des Geräts in entflammaren oder explosiven Umgebungen ist verboten.
- Verwenden Sie das Produkt nicht unter den folgenden Bedingungen:
 - Bei Kindern und älteren Menschen.
 - Menschen mit lokaler oder systemischer Entzündung; Menschen mit lichtempfindlicher Haut oder solche, die lichtempfindliche Medikamente einnehmen.
 - Benutzer implantierter elektronischer medizinischer Geräte (z. B. Herzschrittmacher) und lebenserhaltender Systeme (z. B. künstliche Herz-Lungen-Maschinen), da diese Fehlfunktionen der elektronischen medizinischen Geräte verursachen können.
- Die Anwendung des Produkts wird nicht für Frauen empfohlen, die schwanger sind, schwanger werden möchten oder stillen, da das Produkt bei diesen Gruppen nicht getestet wurde.
- Personen, die ein Sonnenbad genommen, Solarien benutzt oder künstliche Bräunungsprodukte verwendet haben, sollten das Produkt nicht sofort verwenden. Wenn Sie sich nicht sicher sind, ob Ihre Haut gebräunt ist oder einen Sonnenbrand hat, empfiehlt es sich, einen Hautempfindlichkeitstest durchzuführen und 24 Stunden zu warten.
- Nicht direkt auf Tätowierungen oder dunklen bzw. schwarzen Flecken anwenden, da diese große Mengen Licht absorbieren und Hautreizungen verursachen können.

- Die Anwendung an empfindlichen Stellen wie Augen, Hals, Brustwarzen, Genitalien oder Anus ist verboten, da die Haut in diesen Bereichen besonders empfindlich und verletzlich ist.
- Wenden Sie das Produkt nicht zu lange auf derselben Stelle an und wiederholen Sie den Vorgang nicht zu oft, da dies zu übermäßiger Hitze und Hautbeschwerden führen kann.
- Wenn Ihre Haut länger als 24 Stunden nach der Anwendung gerötet und geschwollen erscheint, beenden Sie die Anwendung sofort und wenden Sie sich an Ihren Arzt oder Kundendienst.
- Richten Sie die Lampe beim Abstrahlen des Lichts nicht auf empfindliche Körperteile wie beispielsweise die Augen. Tragen Sie während der Verwendung immer einen Augenschutz.
- Schauen Sie nicht direkt in das von der Lampe ausgestrahlte Licht oder sogar in das reflektierte Licht, auch wenn Sie einen Augenschutz tragen.
- Legen Sie vor der Verwendung alle Metallgegenstände wie Ringe oder Armbänder ab, um Fehlfunktionen des Geräts zu vermeiden.
- Sorgen Sie für ausreichende Belüftung des Raumes.
- Bewahren Sie das Produkt nach Gebrauch außerhalb der Reichweite von Kindern auf und bewahren Sie es außerhalb deren Reichweite auf.
- Es ist strengstens verboten, dieses Produkt zu zerlegen, zu modifizieren und unsachgemäß zu bedienen. Bei unbefugter Demontage des Produkts erlischt sofort der Anspruch auf Garantieleistungen.
- Tragen Sie Aloe Vera-Gel oder eine Feuchtigkeitscreme auf die behandelte Haut auf. Verwenden Sie keine reizenden Kosmetika sofort.
- Stellen Sie sicher, dass die behandelte Haut sauber ist, bevor Sie mit dem Verfahren beginnen.
- Befeuchten Sie die Stelle nach der Behandlung zwei Stunden lang nicht mit Wasser. Vermeiden Sie in den nächsten 48 Stunden Sonnenbäder, heiße Bäder, Dampfbäder usw.
- Vermeiden Sie es, die behandelte Haut 2 Stunden nach der Behandlung direkter Sonneneinstrahlung auszusetzen. Es wird empfohlen, die Behandlung nachts durchzuführen und beim Ausgehen Sonnenschutzmittel aufzutragen.
- Schwimmen Sie 48 Stunden nach der Behandlung nicht in Schwimmbädern.
- Wenn Sie diese Warnungen ignorieren, kann die Verwendung des Geräts zu Hautrötungen und Schwellungen sowie vorübergehenden oder dauerhaften Farbveränderungen führen.
- Drücken Sie die Lichtauslösetaste nicht dauerhaft. Drücken Sie einfach einmal darauf, um einen Blitz auszulösen. Es wird empfohlen, jeden Bereich 2 bis 3 Mal zu bestrahlen (mit der Lampe in vollem Kontakt mit der Haut).
- Verwenden Sie das Gerät nicht länger als 25 Minuten am Stück. Wenn der Behandlungsbereich groß ist, teilen Sie ihn auf mehrere Sitzungen auf. Ziehen Sie nach 25 Minuten Gebrauch den Netzstecker des Geräts, lassen Sie es 10 Minuten ruhen und fahren Sie dann fort.

PRODUKTEINFÜHRUNG

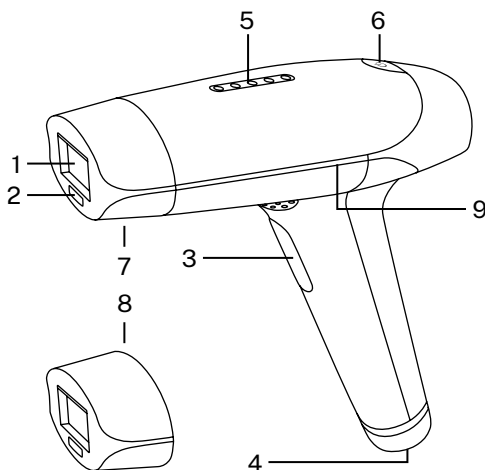
Dieses Schönheitspflegegerät ist ein innovatives, multifunktionales Werkzeug, das Laser-Haarentfernung, Hautverjüngung, Aknebehandlung und andere Vorteile in einem einzigen Gerät vereint. Dank der Integration fortschrittlicher optischer Technologie präsentiert es sich als professionelle, praktische und sichere Lösung im Bereich Schönheit und Körperpflege.

Vor der Verwendung des Geräts müssen Sie unbedingt alle Anweisungen und Vorsichtsmaßnahmen sorgfältig lesen, um eine korrekte und sichere Verwendung zu gewährleisten. Bei der Konstruktion stehen sowohl der Benutzerkomfort als auch der Schutz im Vordergrund und die Herstellung entspricht den höchsten Qualitätsstandards.

Es ist für Männer und Frauen geeignet, die unerwünschte Haare effektiv entfernen möchten. Bei der Behandlung handelt es sich um eine rein physikalische und nicht-invasive Therapie. Bei dunklerer Haut empfiehlt es sich, mit der niedrigsten Intensität zu beginnen und die Energiestufe schrittweise an die Verträglichkeit und Reaktion der Haut anzupassen.

ERSATZTEILLISTE

1. Lichtausgang
2. Hauterkennungssensor
3. Licht-Auslöseknopf
4. Stromanschluss
5. Füllstandsanzeige
6. Ein-/Aus-/Stufeneinstellungsknopf
7. Verjüngungslampe: Roter Filter
8. Haarentfernungslampe: Gelber Filter
9. Betriebsanzeige



HAUTEMPFLINDLICHKEITSTEST

Wenn Sie das Produkt zum ersten Mal verwenden oder es zum ersten Mal auf einer neuen Stelle anwenden, wählen Sie zunächst eine kleine Stelle aus, um den Empfindlichkeitstest durchzuführen. Befolgen Sie dazu die folgenden Anweisungen:

1. Schalten Sie das Kosmetikgerät gemäß den unten stehenden Anweisungen ein.
2. Wählen Sie eine niedrige Stufe: Stufe 1 oder 2.
3. Führen Sie den Test im ausgewählten Bereich unter Beachtung der Bedienungsanleitung und mit Aufmerksamkeit durch.
4. Überprüfen Sie nach 30 Minuten den Zustand der Haut.
5. Wenn die Haut im Testbereich normal ist, können Sie das Produkt weiter verwenden. Wenn die Haut rot oder geschwollen wird, warten Sie 24 Stunden und wiederholen Sie den Test.

ANWENDUNG



1. Rasieren Sie vor der Anwendung alle Haare um den Behandlungsbereich herum. Reinigen und trocknen Sie den Bereich gründlich, um die von den Haarfollikeln absorbierte Energiemenge zu maximieren und einen optimalen Behandlungseffekt zu erzielen.



2. Stecken Sie den Stecker des Netzadapters in die Steckdose des Geräts.

3. Stecken Sie den Adapter in die Steckdose. Die Füllstandsanzeige leuchtet 2 Sekunden lang auf und zeigt damit an, dass das Gerät korrekt an das Stromnetz angeschlossen ist.



4. Halten Sie die Einschalttaste 2 Sekunden lang gedrückt, um das Gerät einzuschalten.

5. Das Gerät verfügt über 5 Stufen (1-5). Beim Einschalten ist Stufe 1 die Standardeinstellung. Durch kurzes Drücken der Taste zur Pegelverstellung wird die Pegelstufe jeweils um eine Stufe erhöht, wobei die entsprechende Anzeige aufleuchtet. Sobald Stufe 5 erreicht ist, wird durch erneutes Drücken wieder auf Stufe 1 zurückgesprungen, sodass eine Schleife ausgeführt wird. Beginnen Sie immer auf einem niedrigen Niveau und steigern Sie es nach Bedarf schrittweise. Passen Sie die Stufe an die Anpassungsfähigkeit Ihrer Haut an.



6. Um Augenschäden zu vermeiden, verwenden Sie die Brille ausschließlich für dieses Produkt.

7. Manuelle und automatische Lichtemissionseinstellungen

a. Manuelle Lichtemissionseinstellungen.

Die Standardeinstellung ist die manuelle Lichtemission, d. h. das Gerät blinkt bei jedem Drücken der Lichtauslösetaste einmal (geeignet für die Haarentfernung auf kleinen Flächen).

b. Automatische Lichtemissionseinstellungen

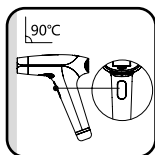
Nach dem Einschalten des Kosmetikgeräts drücken und halten Sie die Lichtauslösetaste 2 Sekunden lang. Die Bereitschaftsanzeige blinkt und der automatische Sendemodus wird aktiviert. Sie müssen die Lampe nur nah an die Haut halten und das Gerät gibt automatisch Licht ab (geeignet für die Haarentfernung auf großen Flächen).

c. Aufmerksamkeit

Wenn sich das Gerät im automatischen Emissionsmodus befindet, müssen Sie beim Drücken der Lichtauslösetaste darauf achten, dass keine anderen Bereiche der Lampe ausgesetzt werden und dass andere Personen die Lampe niemals berühren.

d. Umschalten auf manuelle Lichtabgabe

Wenn sich das Instrument im automatischen Emissionsmodus befindet, halten Sie die Lichtauslösetaste 2 Sekunden lang gedrückt. Die Bereitschaftsanzeige hört auf zu blinken und das Gerät kehrt in den manuellen Sendemodus zurück.



8. Verwendung der Lampe im Haarentfernungsbereich

Platzieren Sie das Gerät in direktem Kontakt mit der zu behandelnden Stelle und versuchen Sie, es im rechten Winkel zur Haut zu halten.

a. Manueller Emissionsmodus:

Wenn sich das Instrument im manuellen Emissionsmodus befindet und die Bereitschaftsanzeige blinkt, drücken Sie die Lichtauslösetaste, um zu bestrahlen. Der von der Lampe abgedeckte Bereich wird enthaart. Bewegen Sie es dann zum nächsten Behandlungsbereich und drücken Sie, wenn die Bereitschaftsanzeige erneut blinkt, erneut die Lichtauslösetaste, um zu bestrahlen. Wiederholen Sie diese Schritte. Es wird empfohlen, jeden Bereich 2 bis 3 Mal zu bestrahlen.

b. Automatischer Emissionsmodus:

Wenn sich das Instrument im automatischen Emissionsmodus befindet, gibt das Gerät automatisch Licht ab, sodass die Lichtauslösetaste nicht gedrückt werden muss. Der von der Lampe abgedeckte Bereich wird enthaart. Bewegen Sie es dann zum nächsten Behandlungsbereich und stellen Sie sicher, dass es Kontakt mit Ihrer Haut hat. Das Gerät strahlt automatisch. Wiederholen Sie diese Schritte. Es wird empfohlen, jeden Bereich 2 bis 3 Mal zu bestrahlen.

Beratung: Wenn sich das Gerät im automatischen Emissionsmodus befindet und die Lampe bewegungslos auf der Haut fixiert bleibt, strahlt sie alle 8 Sekunden.

- Halten Sie nach dem Gebrauch die Einschalttaste 2 Sekunden lang gedrückt, um das Instrument auszuschalten. Wenn keine Aktion ausgeführt wird, schaltet es sich nach 5 Minuten automatisch ab.
- Ziehen Sie den Adapter ab und trennen Sie ihn von der Steckdose.
- Nach 10 Minuten, wenn die Lampe abgekühlt ist, reinigen Sie den Lichtauslass der Lampe mit einem feuchten, alkoholfreien Tuch oder einem weichen Tuch.
- Bewahren Sie das Kosmetikinstrument und den Adapter nach der Reinigung in der Verpackungsschachtel auf. Stellen Sie die Box an einen trockenen, gut belüfteten Ort außerhalb der Reichweite von Kindern.
- Pflege der behandelten Haut: Nach 20 Minuten die behandelte Haut reinigen. Sie können feuchtigkeitsspendende oder reparierende Produkte auftragen, um Ihre Haut zu pflegen. Wenn Sie Beschwerden verspüren, wenden Sie 30–60 Minuten lang Kälte auf die betroffene Stelle an, bis das Brennen verschwindet.

AUFMERKSAMKEIT

- Tragen Sie Aloe Vera-Gel oder eine Feuchtigkeitscreme auf die behandelte Haut auf. Verwenden Sie keine reizenden Kosmetika sofort.
- Befeuchten Sie die Stelle nach der Behandlung zwei Stunden lang nicht mit Wasser. Vermeiden Sie in den nächsten 48 Stunden Sonnenbäder, heiße Bäder, Dampfbäder usw.
- Vermeiden Sie es, die behandelte Haut 2 Stunden nach der Behandlung direkter Sonneneinstrahlung auszusetzen. Es wird empfohlen, die Behandlung nachts durchzuführen und beim Ausgehen Sonnenschutzmittel aufzutragen.
- Schwimmen Sie 48 Stunden nach der Behandlung nicht in Schwimmbädern.

BEHANDLUNGSVERLAUF

- **Erster Monat (einmal alle 3–5 Tage):**

Sie werden keine unmittelbaren Veränderungen im Aussehen Ihrer Haare oder Haut bemerken. Die Behandlung erfordert eine kontinuierliche Anwendung.

- **Zweiter Monat (einmal pro Woche):**

Das Haar wird feiner und weicher. Sie werden sehen, wie sich beim Duschen die schwarzen Haarfollikel lösen.

- **Dritter Monat (einmal alle 15 Tage):**

Die meisten neuen Haare regenerieren nicht mehr stark und können vorsichtig entfernt werden. Es bleiben nur wenige Haare in diesem Bereich zurück.

- **Vierter Monat (einmal alle 30 Tage):**

Die Haare werden verschwinden. Sie haben die Haare im behandelten Bereich dauerhaft entfernt und eine perfekte Haut erreicht.

Mit dieser Behandlungsanleitung können Sie mit dem Kosmetikgerät gezielt Haare dauerhaft entfernen. Einige Teile erfordern keine zusätzliche Wartung, andere müssen möglicherweise alle 6, 9 oder 12 Monate ausgebessert werden.

AUSWECHSELN DER LAMPE



1. Halten Sie die Ein-/Aus-Taste 2 Sekunden lang gedrückt, um das Gerät auszuschalten, und ziehen Sie dann das Netzkabel ab.
2. Halten Sie mit einer Hand die Oberseite des Griffs und mit der anderen die Lampe fest, ziehen Sie sie heraus und setzen Sie je nach Funktion (Haarentfernung – gelbe Linse, Hautverjüngung/Aknebehandlung – rote Linse) die entsprechende ein.

Lampenlebensdauer

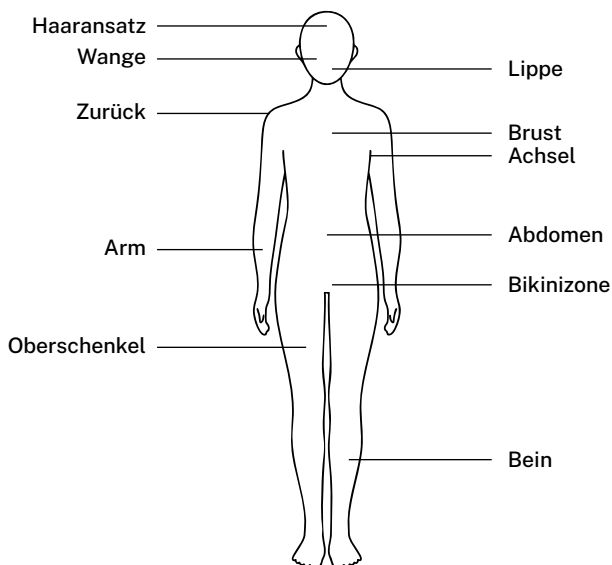
Haarentfernungslampe (gelbe Linse): 300.000 Impulse.

Hautverjüngungslampe (rote Linse): 100.000 Impulse.

HAUTVERJÜNGUNGSFUNKTION

1. Ersetzen Sie die Hautverjüngungslampe. Das Gerät testet und identifiziert den Lampentyp nach dem Einschalten automatisch.
2. Drücken Sie die Taste zur Stufeneinstellung, bis Stufe 1 erreicht ist, und richten Sie die Lampe auf den Bereich, der einer Hautverjüngung bedarf, um ihn zu bestrahlen.
3. Es wird empfohlen, jeden Bereich einmal zu bestrahlen und die Behandlung ein- bis zweimal pro Woche durchzuführen. Nach 2–3 Monaten Behandlungsdauer können Sie einen spürbaren Effekt feststellen.

FÜR DIE BEHANDLUNG GEEIGNETE BEREICHE



NEBENWIRKUNGEN UND ENTSPRECHENDE GEGENMASSNAHMEN

Alle kosmetischen Methoden bergen gewisse Risiken und dieses Produkt ist keine Ausnahme. Mögliche Nebenwirkungen und entsprechende Maßnahmen sind:

- **Schmerz:** Da jeder Mensch eine andere Haut hat, ist auch das Schmerzempfinden unterschiedlich. Es kommt selten vor, dass sich Benutzer unwohl fühlen. Es kann zu einem leichten Brennen kommen, das länger als eine Minute anhält, die meisten Erwachsenen und Jugendlichen können es jedoch ertragen.
- **Leichte Hautrötung oder Brennen:** Es ist eine normale Reaktion. In den meisten Fällen verschwinden diese Beschwerden nach kurzer Zeit von selbst. Wenn das Problem länger als 24 Stunden anhält, wenden Sie sich bitte an den Kundendienst.
- **Geruch von verbranntem Haar:** Zeigt an, dass Sie vor der Verwendung des Geräts nicht alle Haare rasieren haben. Das ist normal.

TECHNISCHE DATEN

PARAMETER	WERT	PARAMETER	WERT
Leistung	36W	Kabellänge	1,8 m
Beanspruchung	Eingang: 100-240 V ~ 50/60 Hz Ausfahrt: 24 V 1,5 A	Externe Umgebung	Temperatur: -20 bis 60°C Relative Luftfeuchtigkeit: 20-90 % nicht kondensierende Luftfeuchtigkeit
Gewicht	0,32 kg	Flüssigkeit	4,7 J
Bestrahlungsbereich	4 cm ²	Maße	182x85x151 mm

FEHLERBEHEBUNG

PROBLEM	URSACHE	LÖSUNG
Kein Strom	Die Stromleitung ist nicht richtig angeschlossen	Schließen Sie die Stromleitung an. Nach dem korrekten Anschluss leuchtet die Füllstandsanzeige 2 Sekunden lang auf.
Das Gerät lässt sich nicht einschalten	<ol style="list-style-type: none"> 1. Der Netzschalter wurde nicht richtig gedrückt. 2. Der Power-Button wird nicht 2 Sekunden lang gedrückt gehalten. 	Beim Einschalten etwas Kraft aufwenden und die Power-Taste mindestens 2 Sekunden gedrückt halten.
Die Füllstandsanzeige blinkt nach dem Einschalten	Die Lampe ist nicht richtig installiert	Wiedereinsetzen der Lampe: Schalten Sie das Gerät aus und ziehen Sie den Netzstecker, bevor Sie die Lampe austauschen.
Beim Drücken der Lichtauslösetaste wird kein Licht abgegeben	<ol style="list-style-type: none"> 1. Die Lampe hat keinen Kontakt mit der Haut. 2. Die Lebensdauer der Lampe ist abgelaufen. 3. Der Ladevorgang wurde beendet, bevor die Bereitschaftsanzeige aufleuchtete. 	<ol style="list-style-type: none"> 1. Lassen Sie die Lampe die Haut berühren. 2. Ersetzen Sie die Lampe. 3. Drücken Sie die Lichtauslösetaste, nachdem die Bereitschaftsanzeige leuchtet.
Automatische Abschaltung	Das Gerät schaltet sich bei Nichtgebrauch nach 5 Minuten automatisch ab.	Halten Sie die Einschalttaste 2 Sekunden lang gedrückt, um einen Neustart durchzuführen.



In Übereinstimmung mit den Richtlinien: 2012/19 / EU und 2015/863 / EU über die Beschränkung der Verwendung gefährlicher Stoffe in elektrischen und elektronischen Geräten sowie deren Abfallentsorgung. Das Symbol mit der gekreuzten Mülltonne auf der Verpackung zeigt an, dass das Produkt am Ende seiner Nutzungsdauer erreicht hat, an spezialisierte Abfallentsorgungszentren zur selektiven Sammlung von elektrischen und elektronischen Abfallgeräten geliefert oder beim Kauf ähnlicher neuer Geräte an den Einzelhändler zurückgegeben werden für eine Basis. Die ordnungsgemäße getrennte Sammlung für die spätere Inbetriebnahme von Geräten, die zum umweltfreundlichen Recycling, zur Behandlung und Entsorgung versandt werden, trägt dazu bei, mögliche negative Auswirkungen auf Umwelt und Gesundheit zu vermeiden und das Recycling und die Wiederverwendung zu optimieren die Komponenten, aus denen das Gerät besteht. Die missbräuchliche Beseitigung des Produkts durch den Benutzer impliziert die Anwendung von Verwaltungsanktionen in Übereinstimmung mit den Gesetzen.

Bedankt dat u voor onze epilator met pulserend licht hebt gekozen. Lees de instructies zorgvuldig door voordat u het apparaat gebruikt en om er zeker van te zijn dat u het apparaat optimaal gebruikt.

Als u de hier beschreven veiligheidsmaatregelen correct opvolgt, vermindert u het risico op brand, elektrische schokken en letsel. Bewaar de handleiding op een veilige plaats, evenals de garantie, de aankoopbon en de doos. Geef deze instructies indien van toepassing aan de toekomstige eigenaar van het apparaat. Volg altijd de basisveiligheidsinstructies en risicopreventiemaatregelen wanneer u een elektrisch apparaat gebruikt. De fabrikant is niet aansprakelijk voor schade die ontstaat doordat de gebruiker deze instructies niet heeft opgevolgd.

VEILIGHEIDSINSTRUCTIES

Bij het gebruik van elektrische apparaten moeten altijd de volgende basisveiligheidsmaatregelen in acht worden genomen.

- Het product mag alleen worden gebruikt waarvoor het bestemd is. De fabrikant is niet aansprakelijk voor schade die het gevolg is van oneigenlijk gebruik of onjuiste behandeling.
- Het cosmetische instrument staat onder hoge spanning. Haal het apparaat niet uit elkaar.
- Blokkeer de ventilatieopeningen niet tijdens gebruik. Ze worden gebruikt om het product te koelen.
- Zorg ervoor dat er geen water of vocht in het apparaat terecht komt.
- Gebruik het instrument niet als de stekker of het snoer beschadigd is.
- Het gebruik van het instrument in ontvlambare of explosieve omstandigheden is verboden.
- Gebruik het product niet onder de volgende omstandigheden:
 - Bij kinderen en ouderen.
 - Mensen met lokale of systemische ontstekingen, mensen met een lichtgevoelige huid of mensen die lichtgevoelige medicijnen gebruiken.
 - Gebruikers van geïmplanteerde elektronische medische apparaten (bijvoorbeeld pacemakers) en levensondersteunende systemen (bijvoorbeeld kunstmatige hart-longmachines), aangezien deze storingen in de elektronische medische apparaten kunnen veroorzaken.
- Het gebruik van dit product wordt afgeraden voor vrouwen die zwanger zijn, proberen zwanger te worden of borstvoeding geven. Het product is namelijk niet getest op deze groepen vrouwen.
- Mensen die hebben gezonnebad, onder de zonnebank zijn geweest of kunstmatige bruiningsproducten hebben gebruikt, mogen het product niet direct gebruiken. Als u niet zeker weet of uw huid gebruikt of verbrand is, raden wij u aan een huidgevoelighedstest uit te voeren en 24 uur te wachten.

- Gebruik het niet rechtstreeks op tatoeages of donkere of zwarte vlekken, omdat deze veel licht kunnen absorberen en huidongemak kunnen veroorzaken.
- Gebruik op gevoelige plekken zoals de ogen, nek, tepels, genitaliën of anus is verboden, omdat de huid op deze plekken bijzonder gevoelig en kwetsbaar is.
- Breng het niet te lang op dezelfde plek aan en herhaal het proces niet te vaak. Dit kan overmatige hitte en ongemak voor de huid veroorzaken.
- Als uw huid langer dan 24 uur na gebruik rood en gezwollen is, stop dan onmiddellijk met het gebruik en raadpleeg uw arts of de klantenservice.
- Richt de lamp niet op kwetsbare lichaamsdelen, zoals de ogen, wanneer er licht uitstraalt. Draag altijd oogbescherming tijdens gebruik.
- Kijk niet rechtstreeks in het licht dat de lamp uitstraalt, of in het weerkaatste licht, ook niet als u oogbescherming draagt.
- Verwijder voor gebruik alle metalen voorwerpen, zoals ringen of armbanden, om storingen in het apparaat te voorkomen.
- Zorg voor voldoende ventilatie in de kamer.
- Houd het product buiten bereik van kinderen en bewaar het na gebruik buiten hun bereik.
- Het is ten strengste verboden om dit product te demonteren, te wijzigen of op een onjuiste manier te bedienen. Indien het product zonder toestemming wordt gedemonteerd, vervalt onmiddellijk het recht op garantie.
- Breng aloë vera-gel of een vochtinbrengende crème aan op de behandelde huid. Gebruik niet direct irriterende cosmetica.
- Zorg ervoor dat de behandelde huid schoon is voordat u met de behandeling begint.
- Gedurende 2 uur na de behandeling mag u het behandelde gebied niet natmaken met water. Gedurende de komende 48 uur mag u niet zonnebaden, hete baden of stoombaden nemen, etc.
- Vermijd blootstelling van de behandelde huid aan direct zonlicht gedurende 2 uur na de behandeling. Het is aan te raden de behandeling 's avonds uit te voeren en, als u naar buiten gaat, zonnebrandcrème aan te brengen.
- Zwem niet in zwembaden gedurende 48 uur na de behandeling.
- Als u deze waarschuwingen negeert, kan het gebruik van het apparaat roodheid en zwelling van de huid veroorzaken, evenals tijdelijke of permanente kleurveranderingen.
- Druk niet voortdurend op de lichttriggerknop. Druk er één keer op en er gaat een flits af. Het is aan te raden om elk gebied 2 tot 3 keer te bestralen (waarbij de lamp volledig contact maakt met de huid).
- Gebruik het apparaat niet langer dan 25 minuten achter elkaar. Als het te behandelen gebied groot is, verdeel het dan in meerdere sessies. Haal na 25 minuten gebruik de stekker van het apparaat uit het stopcontact, laat het apparaat 10 minuten rusten en ga vervolgens verder.

PRODUCTINTRODUCTIE

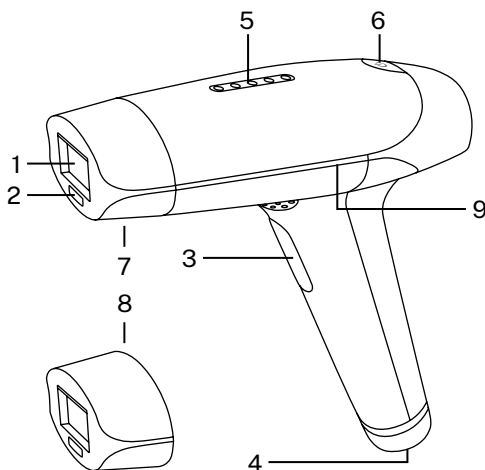
Dit schoonheidsverzorgingsapparaat is een innovatief, multifunctioneel hulpmiddel dat laser ontharing, huidverjonging, acnebehandeling en andere voordelen combineert in één apparaat. Dankzij de integratie van geavanceerde optische technologie is het een professionele, praktische en veilige oplossing op het gebied van schoonheid en persoonlijke verzorging.

Voordat u het apparaat gebruikt, is het van essentieel belang dat u alle instructies en voorzorgsmaatregelen zorgvuldig doorleest om een correct en veilig gebruik te garanderen. Bij het ontwerp ligt de nadruk op zowel gebruikerscomfort als bescherming, en de productie voldoet aan de hoogste kwaliteitsnormen.

Het is geschikt voor mannen en vrouwen die ongewenste haargroei effectief willen verwijderen. De behandeling is een volledig fysieke en niet-invasieve therapie. Voor een donkere huid is het raadzaam om te beginnen met de laagste intensiteit en het energieniveau geleidelijk aan te passen op basis van de tolerantie en reactie van de huid.

ONDERDELENLIJST

1. Lichtuitgang
2. Huiddetectiesensor
3. Lichtknop
4. Voedingspoort
5. Niveau-indicator
6. Aan/uit-knop/niveau-instelling
7. Verjongingslamp: rode filter
8. Ontharingslamp: gele filter
9. Klaar-indicatielampje



HUIDGEVOELIGHEIDSTEST

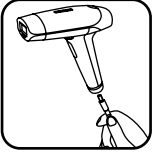
Als dit de eerste keer is dat u het product gebruikt, of als u het voor de eerste keer op een nieuw gebied aanbrengt, selecteert u eerst een klein gebied om de gevoeligheidstest uit te voeren. Volg hiervoor de onderstaande instructies:

1. Schakel het cosmetische instrument in volgens de onderstaande instructies.
2. Kies een laag niveau: niveau 1 of 2.
3. Voer de test uit op het geselecteerde gebied, volg daarbij de gebruiksaanwijzing en let goed op.
4. Controleer de conditie van de huid na 30 minuten.
5. Als de huid in het testgebied normaal is, kunt u het product blijven gebruiken. Als de huid rood of gezwollen wordt, wacht dan 24 uur en herhaal de test.

HOE TE GEBRUIKEN



1. Voor gebruik scheert u alle haartjes rondom het te behandelen gebied af. Maak het gebied grondig schoon en droog om de hoeveelheid energie die door de haarzakjes wordt geabsorbeerd te maximaliseren en het beste behandelresultaat te bereiken.



2. Steek de stekker van de stroomadapter in het stopcontact van het cosmetische instrument.
3. Sluit de adapter aan op het stopcontact. De stroomindicator licht 2 seconden op. Dit geeft aan dat het apparaat is aangesloten op het stroomnet.



4. Houd de aan/uit-knop 2 seconden ingedrukt om het cosmetische instrument in te schakelen.

5. Het apparaat heeft 5 niveaus (1-5). Niveau 1 is de standaardinstelling wanneer u het inschakelt. Als u kort op de niveau-instelknop drukt, wordt het niveau telkens met één niveau verhoogd en gaat het bijbehorende lampje branden. Zodra niveau 5 is bereikt, kunt u door nogmaals op de knop te drukken terugkeren naar niveau 1, waarbij de werking in een lus verloopt. Begin altijd op een laag niveau en verhoog het geleidelijk indien nodig. Pas het niveau aan op basis van de mate waarin uw huid zich kan aanpassen.



6. Gebruik de bril uitsluitend voor dit product om oogletsel te voorkomen.

7. Handmatige en automatische instellingen voor lichtemissie

- a. **Handmatige instellingen voor lichtemissie.**

De standaardinstelling is handmatige lichtuitstraling, wat betekent dat het apparaat één keer flitst telkens wanneer u op de lichttriggerknop drukt (geschikt voor ontharing op kleine oppervlakken).

- b. **Automatische instellingen voor lichtemissie**

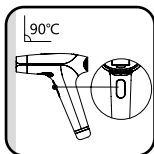
Nadat u het cosmetische instrument hebt ingeschakeld, houdt u de lichttriggerknop 2 seconden ingedrukt. Het indicatielampje voor gereedheid gaat knipperen en de automatische uitzendmodus wordt geactiveerd. U hoeft de lamp alleen maar dicht bij de huid te houden en het apparaat geeft automatisch licht (geschikt voor ontharing op grote oppervlakken).

- c. **Aandacht**

Wanneer het instrument in de automatische emissiemodus staat, moet u bij het indrukken van de lichttriggerknop erop letten dat andere delen niet aan de lamp worden blootgesteld en dat andere mensen de lamp nooit aanraken.

d. Overschakelen naar handmatige lichtuitstraling

Wanneer het instrument in de automatische emissiemodus staat, houdt u de lichttriggerknop 2 seconden ingedrukt. Het indicatielampje voor gereedheid stopt met knipperen en het apparaat keert terug naar de handmatige uitzendmodus.



8. Het gebruik van de lamp in het ontharingsgebied

Plaats het apparaat in direct contact met het te behandelen gebied en probeer het in een rechte hoek ten opzichte van de huid te houden.

a. Handmatige emissiemodus:

Wanneer het instrument in de handmatige emissiemodus staat en de gereedheidsindicator knippert, drukt u op de lichttriggerknop om te bestralen. Het gebied dat door de lamp wordt belicht, wordt onthaard. Verplaats het apparaat vervolgens naar het volgende te behandelen gebied en druk, wanneer de gereedheidsindicator opnieuw knippert, opnieuw op de lichttriggerknop om te bestralen. Herhaal deze stappen. Het is aan te raden om elk gebied 2 tot 3 keer te bestralen.

b. Automatische emissiemodus:

Wanneer het instrument in de automatische lichtuitzendmodus staat, geeft het apparaat automatisch licht af. U hoeft dan niet op de lichttriggerknop te drukken. Het gebied dat door de lamp wordt belicht, wordt onthaard. Verplaats het apparaat vervolgens naar het volgende te behandelen gebied en zorg ervoor dat het in contact is met uw huid. Het apparaat zal dan automatisch gaan bestralen. Herhaal deze stappen. Het is aan te raden om elk gebied 2 tot 3 keer te bestralen.

Advies: Wanneer het instrument in de automatische emissiemodus staat en de lamp op de huid blijft zitten zonder te bewegen, zal het apparaat elke 8 seconden bestralen.

9. Na gebruik houdt u de aan/uit-knop 2 seconden ingedrukt om het instrument uit te schakelen. Als er geen actie wordt ondernomen, wordt het apparaat automatisch na 5 minuten uitgeschakeld.
10. Haal de adapter uit het stopcontact.
11. Na 10 minuten, als de lamp is afgekoeld, maakt u de lichtuitlaat van de lamp schoon met een vochtig, alcoholvrij doekje of een zachte tissue.
12. Nadat u het cosmetische instrument en de adapter hebt schoongemaakt, bergt u ze op in de verpakking. Zet de doos op een droge, goed geventileerde plaats, buiten bereik van kinderen.
13. Verzorging van de behandelde huid: Reinig de behandelde huid na 20 minuten. U kunt hydraterende of herstellende producten gebruiken om uw huid te voeden. Als u ongemak ervaart, breng dan gedurende 30 tot 60 minuten koude crème aan op de plek, totdat het brandende gevoel verdwijnt.

AANDACHT

- Breng aloë vera-gel of een vochtinbrengende crème aan op de behandelde huid. Gebruik niet direct irriterende cosmetica.
- Gedurende 2 uur na de behandeling mag u het behandelde gebied niet natmaken met water. Gedurende de komende 48 uur mag u niet zonnebaden, hete baden of stoombaden nemen, etc.
- Vermijd blootstelling van de behandelde huid aan direct zonlicht gedurende 2 uur na de behandeling. Het is aan te raden de behandeling 's avonds uit te voeren en, als u naar buiten gaat, zonnebrandcrème aan te brengen.
- Zwem niet in zwembaden gedurende 48 uur na de behandeling.

BEHANDELINGSVERLOOP

- **Eerste maand (eenmaal per 3-5 dagen):**

U zult geen onmiddellijke veranderingen in het uiterlijk van uw haar of huid opmerken. De behandeling vereist voortgezet gebruik.

- **Tweede maand (eenmaal per week):**

Het haar wordt fijner en zachter. Tijdens het douchen zul je de zwarte haarzakjes zien uitvallen.

- **Derde maand (eenmaal per 15 dagen):**

De meeste nieuwe haren zullen niet meer zo snel groeien, dus u kunt ze voorzichtig verwijderen. Er zal alleen een klein beetje haar in het gebied achterblijven.

- **Vierde maand (eenmaal per 30 dagen):**

Het haar zal verdwijnen. De haren op het behandelde gebied zijn definitief verwijderd en u krijgt een perfecte huid.

Als u deze behandelgids volgt, helpt het cosmetische instrument u om permanent haar op specifieke plekken te verwijderen. Sommige onderdelen hebben geen extra onderhoud nodig, terwijl andere onderdelen na 6, 9 of 12 maanden een update nodig hebben.

DE LAMP VERVANGEN



1. Houd de aan/uit-knop 2 seconden ingedrukt om het instrument uit te schakelen en haal vervolgens de stekker uit het stopcontact.
2. Houd de bovenkant van de handgreep met één hand vast en de lamp met de andere hand, trek de lamp eruit en plaats de lamp die bij uw functie past (ontharing - gele lens, huidverjonging / acnebehandeling - rode lens).

LEVENSDUUR VAN DE LAMP

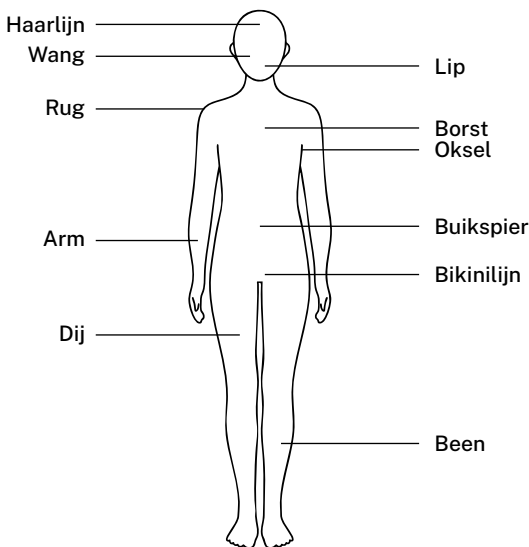
Ontharingslamp (gele lens): 300.000 pulsen.

Huidverjongingslamp (rode lens): 100.000 pulsen.

HUIDVERJONGINGSFUNCTIE

1. Vervang de huidverjongingslamp. Nadat het apparaat is ingeschakeld, test en identificeert het automatisch het lamptype.
2. Druk op de knop voor het aanpassen van het niveau totdat niveau 1 is bereikt en richt de lamp op het gebied dat huidverjonging nodig heeft om het te bestralen.
3. Het is aan te raden om elk gebied één keer te bestralen en de behandeling één of twee keer per week uit te voeren. U zult een merkbaar effect zien als u de behandeling 2 tot 3 maanden volhoudt.

GEBIEDEN DIE GESCHIKT ZIJN VOOR BEHANDELING



BIJWERKINGEN EN GERELATEERDE TEGENMAATREGELEN

Alle cosmetische methoden brengen risico's met zich mee, en dit product is daarop geen uitzondering. Mogelijke bijwerkingen en bijbehorende maatregelen zijn:

- **Pijn:** Omdat de huid van iedereen anders is, varieert de pijnbeleving. Het komt zelden voor dat gebruikers zich ongemakkelijk voelen. Er kan een licht branderig gevoel optreden dat langer dan een minuut aanhoudt, maar de meeste volwassenen en tieners kunnen dit verdragen.
- **Lichte roodheid van de huid of een branderig gevoel:** Het is een normale reactie. Meestal verdwijnen deze klachten na korte tijd vanzelf. Als het probleem langer dan 24 uur aanhoudt, neem dan contact op met de klantenservice.
- **Geur van verbrand haar:** Geeft aan dat u nog niet alle haartjes hebt afgeschoren voordat u het apparaat gebruikt. Dat is normaal.

TECHNISCHE SPECIFICATIES

PARAMETER	WAARD	PARAMETER	WAARD
Stroom	36W	Kabellengte	1,8 m
Deformatie	Ingang: 100-240V~ 50/60Hz Uitgang: 24V 1,5A	Externe omgeving	Temperatuur: -20~60°C Relatievevochtigheid: 20-90% nietcondenserende luchtvochtigheid
Gewicht	0,32 kg	Vloeïendheid	4,7 J
Bestralingsgebied	4 cm ²	Afmetingen	182x85x151 mm

PROBLEEMOPLOSSING

PROBLEEM	OORZAAK	OPLOSSING
Geen stroom	Het elektriciteitsnet is niet goed aangesloten	Sluit de stroomkabel aan. Zodra de aansluiting correct is, licht de niveau-indicator 2 seconden op.
Het apparaat kan niet worden ingeschakeld	<ol style="list-style-type: none"> 1. De aan/uit-knop is niet goed ingedrukt. 2. De aan/uit-knop wordt niet 2 seconden ingedrukt gehouden. 	Zet het apparaat aan en oefen lichte druk uit. Houd de aan/uit-knop minimaal 2 seconden ingedrukt.
De niveau-indicator knippert na het inschakelen	De lamp is niet correct geïnstalleerd	De lamp opnieuw installeren: Schakel het apparaat uit en haal de stekker uit het stopcontact voordat u de lamp vervangt.
Er wordt geen licht uitgezonden wanneer de lichttriggerknop wordt ingedrukt	<ol style="list-style-type: none"> 1. De lamp maakt geen contact met de huid. 2. De levensduur van de lamp is verstreken. 3. Het opladen was voltooid voordat de gereedheidsindicator ging branden. 	<ol style="list-style-type: none"> 1. Laat de lamp de huid raken. 2. Vervang de lamp. 3. Druk op de lichttriggerknop nadat de gereedheidsindicator is gaan branden.
Automatische uitschakeling	Het apparaat schakelt automatisch uit als het 5 minuten niet wordt gebruikt.	Houd de aan/uit-knop 2 seconden ingedrukt om opnieuw op te starten.



In overeenstemming met de richtlijnen: 2012/19 / EU en 2015/863 / EU betreffende de beperking van het gebruik van gevaarlijke stoffen in elektrische en elektronische apparatuur, evenals hun afvalverwerking. Het symbool met de gekruiste vuilnisbak op de verpakking geeft aan dat het product aan het einde van zijn levensduur heeft bereikt, worden afgeleverd bij gespecialiseerde afvalverwijderingscentra voor de selectieve inzameling van afgedankte elektrische en elektronische apparatuur, of bij de aankoop van soortgelijke nieuwe apparatuur in één keer aan de detailhandelaar worden geretourneerd. voor één basis. Een juiste gescheiden inzameling voor latere inbedrijfstelling van apparatuur die wordt verzonden om te worden gerecycled, behandeld en op milieuvriendelijke wijze afgevoerd, helpt mogelijke negatieve effecten op het milieu en de gezondheid te voorkomen en optimaliseert recycling en hergebruik van de componenten waaruit het apparaat bestaat. De onrechtmatige eliminatie van het product door de gebruiker impliceert de toepassing van administratieve sancties in overeenstemming met de wetten.

Dziękujemy za wybranie naszego depilatora światłem pulsacyjnym. Przed użyciem urządzenia należy uważnie przeczytać instrukcję, aby zapewnić jego optymalne działanie.

Przedstawione tutaj środki bezpieczeństwa zmniejszają ryzyko pożaru, porażenia prądem elektrycznym i obrażeń, jeśli są prawidłowo przestrzegane. Zachowaj instrukcję w bezpiecznym miejscu, aby móc z niej skorzystać w przyszłości, a także gwarancję, paragon zakupu i pudełko. W stosownych przypadkach należy przekazać niniejszą instrukcję przyszłemu właścicielowi urządzenia. Korzystając z urządzeń elektrycznych należy zawsze przestrzegać podstawowych instrukcji bezpieczeństwa i środków zapobiegających ryzyku. Producent nie ponosi odpowiedzialności za szkody powstałe na skutek nieprzestrzegania przez użytkownika niniejszej instrukcji.

INSTRUKCJE BEZPIECZEŃSTWA

Podczas korzystania z urządzeń elektrycznych należy zawsze przestrzegać następujących podstawowych zasad bezpieczeństwa.

- Produkt należy stosować wyłącznie zgodnie z jego przeznaczeniem. Producent nie ponosi odpowiedzialności za szkody powstałe na skutek niewłaściwego użytkowania lub nieprawidłowej obsługi.
- W przyrządzie kosmetycznym występuje wysokie napięcie. Nie rozmontowuj urządzenia.
- Nie blokuj otworów wentylacyjnych podczas użytkowania. Służą do chłodzenia produktu.
- Nie dopuść do przedostania się wody lub wilgoci do wnętrza urządzenia.
- Nie używaj urządzenia, jeśli wtyczka lub przewód są uszkodzone.
- Zabrania się używania urządzenia w otoczeniu zagrożonym pożarem lub wybuchem.
- Nie należy używać produktu w następujących przypadkach:
 - U dzieci i osób starszych.
 - Osoby z miejscowym lub ogólnoustrojowym stanem zapalnym, osoby ze skórą wrażliwą na światło lub stosujące leki światłoczułe.
 - Użytkownicy wszczepionych elektronicznych urządzeń medycznych (np. rozruszników serca) i systemów podtrzymujących życie (np. sztucznych płucoserców), ponieważ mogą one powodować nieprawidłowe działanie elektronicznych urządzeń medycznych.
- Produktu nie zaleca się stosować kobietom w ciąży, starającym się o dziecko lub karmiącym piersią, ponieważ nie został on przetestowany w tych grupach.
- Osoby, które korzystały z kąpieli słonecznych, solarium lub sztucznych środków brązujących, nie powinny od razu stosować produktu. Jeśli nie masz pewności, czy Twoja skóra jest opalona lub poparzona słońcem, zaleca się wykonanie testu wrażliwości skóry i odczekanie 24 godzin.
- Nie stosować bezpośrednio na tatuaże lub ciemne czy czarne plamy, ponieważ mogą one absorbować dużą ilość światła i powodować dyskomfort skóry.

- Nie należy stosować produktu na wrażliwych obszarach, takich jak oczy, szyja, sutki, genitalia i odbyt, ponieważ skóra w tych miejscach jest szczególnie wrażliwa i podatna na uszkodzenia.
- Nie należy stosować preparatu zbyt długo na tym samym obszarze ani powtarzać procesu zbyt wiele razy, ponieważ może to spowodować nadmierne ciepło i dyskomfort skóry.
- Jeżeli po zastosowaniu skóra pozostaje zaczerwieniona i opuchnięta przez okres dłuższy niż 24 godziny, należy natychmiast przerwać stosowanie i skonsultować się z lekarzem lub działem obsługi klienta.
- Podczas emitowania światła nie należy kierować strumienia światła lampy w stronę wrażliwych części ciała, np. oczu. Podczas użytkowania należy zawsze nosić okulary ochronne.
- Nie należy patrzeć bezpośrednio na światło emitowane przez lampę ani na światło odbite, nawet jeśli nosisz okulary ochronne.
- Przed użyciem należy zdjąć wszystkie metalowe przedmioty, takie jak pierścionki czy bransoletki, aby zapobiec uszkodzeniu sprzętu.
- Utrzymuj wentylację pomieszczenia.
- Przechowywać produkt poza zasięgiem dzieci i po użyciu przechowywać w miejscu, w którym nie mają dostępu.
- Zabrania się rozmontowywania lub modyfikowania produktu oraz niewłaściwego użytkowania. W przypadku nieautoryzowanego demontażu produktu, tracisz natychmiast prawo do serwisu gwarancyjnego.
- Na leczoną skórę nałóż żel aloesowy lub krem nawilżający. Nie należy od razu stosować kosmetyków mogących powodować podrażnienia.
- Przed rozpoczęciem zabiegu należy upewnić się, że skóra poddawana zabiegowi jest czysta.
- Przez 2 godziny po zabiegu nie należy moczyć leczonego obszaru wodą. Przez następne 48 godzin nie należy się opalać, brać gorących kąpiei, kąpiei parowych itp.
- Unikaj wystawiania skóry poddanej zabiegowi na bezpośrednie działanie promieni słonecznych przez 2 godziny po zabiegu. Zaleca się wykonywanie zabiegu wieczorem, a w przypadku przebywania na zewnątrz należy posmarować skórę kremem z filtrem przeciwsłonecznym.
- Nie należy pływać w basenach przez 48 godzin po zabiegu.
- Zignorowanie tych ostrzeżeń może spowodować zaczerwienienie i obrzęk skóry, a także przejściowe lub trwałe zmiany koloru.
- Nie naciskaj przycisku wyzwalacza światła w sposób ciągły. Naciśnij go raz, aby wyemitować błysk. Zaleca się naświetlanie każdego obszaru 2-3 razy (lampa powinna mieć pełny kontakt ze skórą).
- Nie należy używać urządzenia nieprzerwanie dłużej niż 25 minut. Jeżeli obszar zabiegowy jest duży, podziel zabieg na kilka sesji. Po 25 minutach użytkowania odłącz urządzenie od zasilania, odczekaj 10 minut, a następnie kontynuuj.

WPROWADZENIE DO PRODUKTU

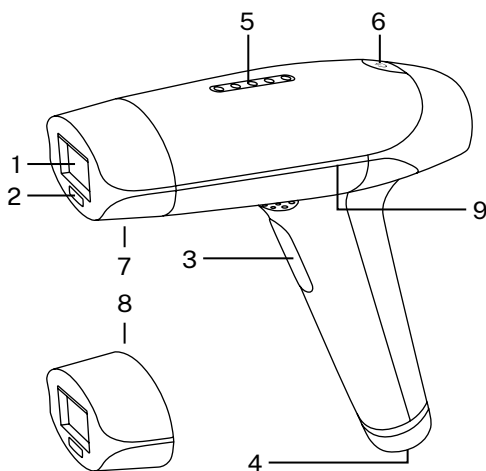
To urządzenie do pielęgnacji urody to innowacyjne, wielofunkcyjne narzędzie łączące w sobie funkcje laserowego usuwania owłosienia, odmładzania skóry, leczenia trądziku i inne korzyści w jednym urządzeniu. Dzięki zastosowaniu zaawansowanej technologii optycznej jest to profesjonalne, praktyczne i bezpieczne rozwiązanie w dziedzinie pielęgnacji urody i ciała.

Przed użyciem urządzenia należy uważnie przeczytać wszystkie instrukcje i środki ostrożności, aby zapewnić jego prawidłowe i bezpieczne użytkowanie. Podczas projektowania kładziono nacisk na wygodę i ochronę użytkownika, a produkcja spełnia najwyższe standardy jakości.

Przeznaczony jest dla kobiet i mężczyzn pragnących skutecznie pozbyć się niechcianego owłosienia. Leczenie jest terapią całkowicie fizyczną i nieinwazyjną. W przypadku ciemniejszej skóry zaleca się zacząć od najniższej intensywności i stopniowo dostosowywać poziom energii, zależnie od tolerancji i reakcji skóry.

LISTA CZĘŚCI

1. Wyjście światła
2. Czujnik wykrywający skórę
3. Przycisk uruchamiający światło
4. Port zasilania
5. Wskaźnik poziomu
6. Przycisk włączania/wyłączania/regulacji poziomów
7. Lampa odmładzająca: filtr czerwony
8. Lampa do depilacji: filtr żółty
9. Wskaźnik gotowości



TEST WRAŻLIWOŚCI SKÓRY

Jeśli używasz tego produktu po raz pierwszy lub po raz pierwszy nakładasz go na nowy obszar, najpierw wybierz mały obszar i przeprowadź test wrażliwości, postępując zgodnie z poniższymi instrukcjami:

1. Włącz urządzenie kosmetyczne, postępując zgodnie z instrukcjami podanymi poniżej.
2. Wybierz niski poziom: poziom 1 lub poziom 2.
3. Wykonaj test w wybranym obszarze, postępując zgodnie z instrukcją obsługi i zwracając na to uwagę.
4. Po 30 minutach sprawdź stan skóry.
5. Jeśli skóra w obszarze testowym jest prawidłowa, możesz kontynuować stosowanie produktu. Jeśli skóra zaczerwieni się lub spuchnie, odczekaj 24 godziny i powtórz test.

JAK UŻYWAĆ



1. Przed użyciem należy zgolić wszystkie włosy wokół obszaru poddanego zabiegowi. Dokładnie oczyść i osusz obszar poddany zabiegowi, aby zmaksymalizować ilość energii absorbowanej przez mieszki włosowe i uzyskać najlepszy efekt zabiegu.



2. Włóż wtyczkę zasilacza do gniazdka zasilania urządzenia kosmetycznego.
3. Podłącz adapter do gniazdka elektrycznego; kontrolka zasilania zaświeci się na 2 sekundy, wskazując, że urządzenie zostało podłączone do zasilania.



4. Aby włączyć urządzenie kosmetyczne, naciśnij i przytrzymaj przycisk zasilania przez 2 sekundy.

5. Urządzenie posiada 5 poziomów (1-5). Poziom 1 jest wartością domyślną po włączeniu. Krótkie naciśnięcie przycisku regulacji poziomu powoduje zwiększenie poziomu o jeden poziom na raz, a odpowiedni wskaźnik zapala się. Po osiągnięciu poziomu 5 ponowne naciśnięcie powoduje powrót do poziomu 1 i działa w pętli. Zawsze zaczynaj od niskiego poziomu i stopniowo go zwiększaj, w razie potrzeby. Dostosuj poziom do możliwości swojej skóry.



6. Aby uniknąć uszkodzenia oczu, do używania tego produktu należy używać wyłącznie okularów.

7. Ustawienia ręcznej i automatycznej emisji światła

a. Ręczne ustawienia emisji światła.

Domyślnym ustawieniem jest ręczna emisja światła, co oznacza, że urządzenie będzie emitować jeden błysk po każdym naciśnięciu przycisku wyzwalacza światła (przydatne w przypadku usuwania włosów z małych obszarów).

b. Ustawienia automatycznej emisji światła

Po włączeniu urządzenia kosmetycznego naciśnij i przytrzymaj przycisk wyzwalacza światła przez 2 sekundy. Zacznie migać kontrolka gotowości i włączy się tryb automatycznego nadawania. Wystarczy zbliżyć lampę do skóry, a urządzenie automatycznie wyemituje światło (nadaje się do usuwania włosów z dużych obszarów).

c. Uwaga

Gdy urządzenie znajduje się w trybie emisji automatycznej, naciskając przycisk wyzwalacza światła, należy zachować ostrożność, aby nie narażać innych obszarów na działanie lampy i nigdy nie pozwalać innym osobom dotykać urządzenia.

d. Przełącz na ręczną emisję światła

Gdy urządzenie znajduje się w trybie emisji automatycznej, naciśnij i przytrzymaj przycisk wyzwalacza światła przez 2 sekundy. Kontrolka gotowości przestanie migać, a urządzenie powróci do trybu ręcznego nadawania.



8. Stosowanie lampy w obszarze depilacji

Umieść urządzenie w bezpośrednim kontakcie z obszarem, który ma być poddany zabiegowi, starając się trzymać je pod kątem prostym do skóry.

a. Tryb emisji ręcznej:

Gdy urządzenie znajduje się w trybie emisji ręcznej i miga wskaźnik gotowości, naciśnij przycisk wyzwalacza światła, aby rozpocząć naświetlanie. Obszar objęty działaniem lampy zostanie poddany usuwaniu włosów. Następnie należy przenieść urządzenie do kolejnego obszaru poddawanego zabiegowi i gdy wskaźnik gotowości ponownie zacznie migać, należy ponownie nacisnąć przycisk wyzwalacza światła, aby rozpocząć naświetlanie. Powtórz te kroki. Zaleca się napromieniowanie każdego obszaru 2-3 razy.

b. Tryb emisji automatycznej:

Gdy urządzenie znajduje się w trybie automatycznej emisji, automatycznie emituje światło, dzięki czemu nie ma potrzeby naciskania przycisku wyzwalającego światło. Obszar objęty działaniem lampy zostanie poddany usuwaniu włosów. Następnie przesuwaj urządzenie na kolejny obszar poddawany zabiegowi i upewnij się, że ma ono kontakt ze skórą – urządzenie automatycznie rozpocznie naświetlanie. Powtórz te kroki. Zaleca się napromieniowanie każdego obszaru 2-3 razy.

Rada: Gdy urządzenie znajduje się w trybie emisji automatycznej, a lampa pozostaje nieruchoma na skórze, będzie ona naświetlać co 8 sekund.

9. Po użyciu naciśnij i przytrzymaj przycisk zasilania przez 2 sekundy, aby wyłączyć urządzenie. Urządzenie wyłączy się automatycznie po 5 minutach, jeśli nie zostanie podjęta żadna czynność.
10. Odłącz adapter i wyjmij go z gniazdka elektrycznego.
11. Po 10 minutach, gdy lampa ostygnie, wyczyść jej wylot światłem wilgotną chusteczką bez alkoholu lub miękką chusteczką.
12. Po oczyszczeniu przechowuj przyrząd kosmetyczny i adapter w opakowaniu. Umieścić pudełko w suchym i dobrze wentylowanym miejscu, poza zasięgiem dzieci.
13. Pielęgnacja skóry poddanej zabiegowi: Po 20 minutach oczyść skórę poddaną zabiegowi. Aby odżywić skórę, możesz stosować produkty nawilżające i regenerujące. Jeśli odczuwasz dyskomfort, przyłóż zimny okład do bolącego miejsca na 30–60 minut, aż do ustąpienia uczucia pieczenia.

UWAGA

Na leczonej skórze nałóż żel aloesowy lub krem nawilżający. Nie należy od razu stosować kosmetyków mogących powodować podrażnienia.

Przez 2 godziny po zabiegu nie należy moczyć leczonego obszaru wodą. Przez następne 48 godzin nie należy się opalać, brać gorących kąpieli, kąpeli parowych itp.

Unikaj wystawiania skóry poddanej zabiegowi na bezpośrednie działanie promieni słonecznych przez 2 godziny po zabiegu. Zaleca się wykonywanie zabiegu wieczorem, a w przypadku przebywania na zewnątrz należy posmarować skórę kremem z filtrem przeciwsłonecznym.

Nie należy pływać w basenach przez 48 godzin po zabiegu.

PRZEBIEG LECZENIA

- **Pierwszy miesiąc (raz na 3–5 dni):**

Nie zauważysz żadnych natychmiastowych zmian w wyglądzie włosów i skóry. Leczenie wymaga kontynuacji.

- **Drugi miesiąc (raz w tygodniu):**

Włosy staną się delikatniejsze i bardziej miękkie. Podczas prysznicza zobaczysz, jak wypadają Ci czarne mieszki włosów.

- **Trzeci miesiąc (raz na 15 dni):**

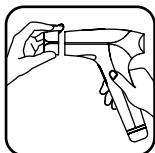
Większość nowych włosów przestanie się intensywnie regenerować i można je delikatnie usunąć. Na tym obszarze pozostanie tylko trochę włosów.

- **Czwarty miesiąc (raz na 30 dni):**

Włosy znikną. Dzięki temu uzyskasz trwałe usunięcie włosów z leczonego obszaru i idealną skórę.

Dzięki stosowaniu się do tej instrukcji, urządzenie kosmetyczne pomoże Ci trwałe usunąć owłosienie z określonych obszarów. Niektóre części nie wymagają dodatkowej konserwacji, inne zaś mogą wymagać poprawek co 6, 9 lub 12 miesięcy.

WYMIANA LAMPY



1. Aby wyłączyć urządzenie, naciśnij i przytrzymaj przycisk zasilania przez 2 sekundy, a następnie odłącz przewód zasilający.
2. Przytrzymaj jedną ręką górną część uchwytu, a drugą lampę, wyciągnij ją i włóż odpowiednią do funkcji (usuwanie włosów - żółta soczewka, odmładzanie skóry / leczenie trądziku - czerwona soczewka).

ŻYWOTNOŚĆ LAMPY

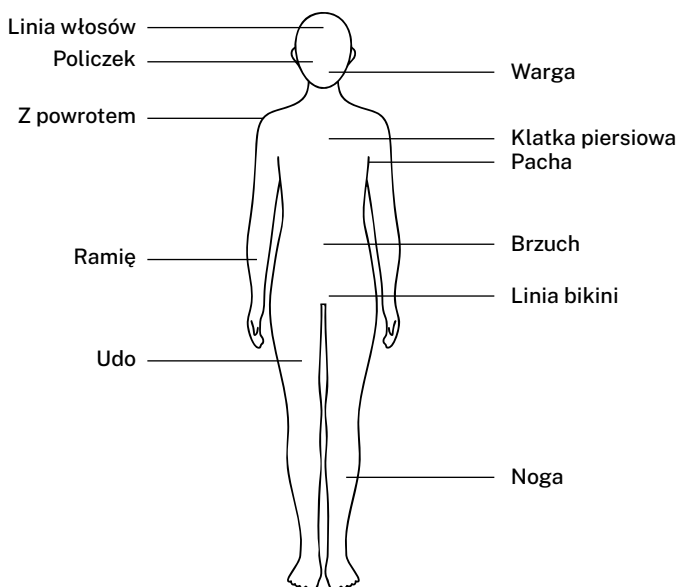
Lampa do depilacji (soczewka żółta): 300 000 impulsów.

Lampa odmładzająca skórę (czerwona soczewka): 100 000 impulsów.

FUNKCJA ODMŁADZANIA SKÓRY

1. Wymień lampę odmładzającą skórę. Urządzenie automatycznie przetestuje i zidentyfikuje typ lampy po włączeniu.
2. Naciśnij przycisk regulacji poziomu, aż osiągnie on poziom 1, a następnie skieruj lampę na obszar wymagający odmłodzenia skóry, aby go naświetlić.
3. Zaleca się, aby naświetlać każdy obszar jeden raz i wykonywać zabieg raz lub dwa razy w tygodniu. Po 2–3 miesiącach stosowania kuracji widoczne będą widoczne efekty.

OBSZARY NADAJĄCE SIĘ DO LECZENIA



DZIAŁANIA NIEPOŻĄDANE I ZWIĄZANE Z NIMI ŚRODKI ZARADCZE

Wszystkie metody kosmetyczne wiążą się z pewnym ryzykiem i ten produkt nie jest wyjątkiem. Możliwe działania niepożądane i odpowiednie środki zaradcze to:

- **Ból:** Ponieważ każdy człowiek ma inną skórę, odczuwanie bólu jest różne. Użytkownicy rzadko czują się niekomfortowo. Może wystąpić lekkie pieczenie trwające ponad minutę, jednak większość dorosłych i nastolatków jest w stanie je znieść.
- **Łagodne zaczerwienienie skóry lub uczucie pieczenia:** To normalna reakcja. W większości przypadków dyskomfort ten ustąpi samoistnie po krótkim czasie. Jeżeli problem będzie się utrzymywał przez okres dłuższy niż 24 godziny, prosimy o kontakt z obsługą klienta.
- **Zapach spalonych włosów:** Oznacza, że nie zgoliłeś wszystkich włosów przed użyciem urządzenia. To normalne.

DANE TECHNICZNE

PARAMETR	WARTOŚĆ	PARAMETR	WARTOŚĆ
Moc	36W	Długość kabla	1,8 m
Napięcie	Wejście: 100-240 V-50/60Hz Wyjście: 24 V 1,5 A	Środowisko zewnętrzne	Temperatura: -20~60°C Wilgotność względna: 20-90% wilgotności bez kondensacji
Waga	0,32 kg	Płynność	4,7 J
Obszar napromieniowania	4 cm ²	Wymiary	182x85x151 mm

ROZWIĄZYWANIE PROBLEMÓW

PROBLEM	PRZYCZYNA	ROZWIĄZANIE
Brak zasilania	Linia energetyczna nie jest prawidłowo podłączona	Podłącz linię energetyczną. Po poprawnym podłączeniu wskaźnik poziomu zaświeci się na 2 sekundy.
Urządzenia nie można włączyć	1. Przycisk zasilania nie został wciśnięty prawidłowo. 2. Przycisk zasilania nie został naciśnięty przez 2 sekundy.	Podczas włączania należy zastosować niewielką siłę i przytrzymać przycisk zasilania przez co najmniej 2 sekundy.
Wskaźnik poziomu miga po włączeniu	Lampa nie jest prawidłowo zainstalowana	Ponowna instalacja lampy: Przed wymianą lampy wyłącz urządzenie i odłącz przewód zasilający.
Po naciśnięciu przycisku wyzwalacza światła nie jest emitowane żadne światło	1. Lampa nie ma kontaktu ze skórą. 2. Żywotność lampy upłynęła. 3. Proces ładowania zakończył się przed zaświeceniem się kontrolki gotowości.	1. Spraw, aby lampa dotknęła skóry. 2. Wymień lampę. 3. Naciśnij przycisk wyzwalacza światła po zaświeceniu się wskaźnika gotowości.
Automatyczne wyłączenie	Urządzenie wyłącza się automatycznie po 5 minutach nieużywania.	Aby ponownie uruchomić, naciśnij i przytrzymaj przycisk zasilania przez 2 sekundy.



Zgodnie z dyrektywami: 2012/19 / UE i 2015/863 / UE w sprawie ograniczenia stosowania niebezpiecznych substancji w sprzęcie elektrycznym i elektronicznym, a także ich usuwania. Symbol z przekreślonym pojemnikiem na śmieci pokazany na opakowaniu oznacza, że produkt pod koniec okresu użytkowania będzie zbierany jako osobny odpad. Dlatego każdy produkt, który osiągnął koniec okresu użytkowania, musi zostać dostarczony do wyspecjalizowanych centrów usuwania odpadów w celu selektywnej zbiórki zużytego sprzętu elektrycznego i elektronicznego lub zwrócony do sprzedawcy przy zakupie podobnego nowego sprzętu, w jednym dla jednej bazy. Właściwa selektywna zbiórka w celu późniejszego uruchomienia sprzętu przeznaczonego do recyklingu, obróbki i utylizacji w sposób przyjazny dla środowiska pomaga zapobiegać potencjalnym negatywnym skutkom dla środowiska i zdrowia oraz optymalizuje recykling i ponowne użycie elementy składające się na urządzenie. Niewłaściwe usunięcie produktu przez użytkownika oznacza nałożenie sankcji administracyjnych zgodnie z prawem.

CREATE



FR

Cet appareil
se recycle

À DÉPOSER
EN MAGASIN



À DÉPOSER
EN DÉCHÈTERIE



OU

Points de collecte sur www.quefairedemesdechets.fr
Privilégiez la réparation ou le don de votre appareil !

RACCOLTA CARTA
Verifica le disposizioni
del tuo Comune.



RoHS



/ Made in China