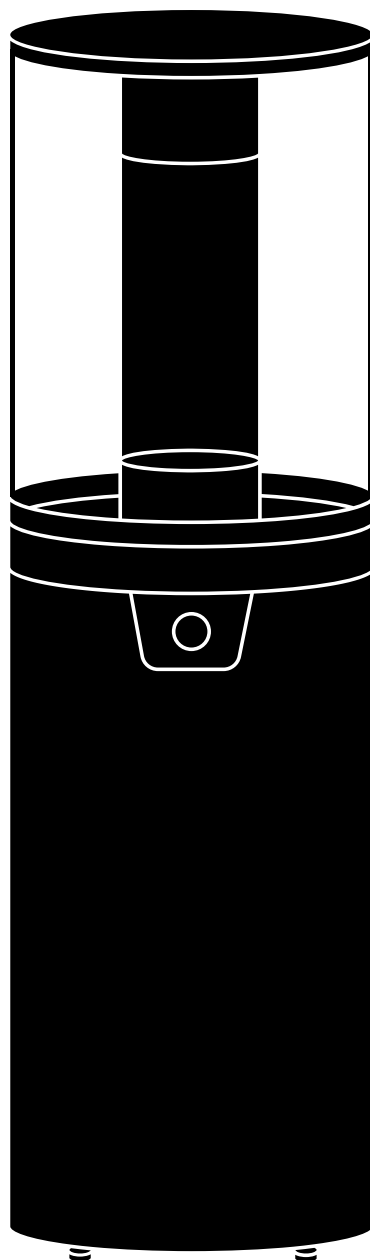


# CREATE




## Fire Round Gas Heater

---

User manual | Manual de instrucciones





TECHNICAL DATA				<b>CREATE</b>
FIRE ROUND GAS HEATER - Gas heater 8kW for terraces and outdoors			Nominal Heat Input (Hs)	8.0 kW
Consumption	582 g/h (G30) / 572 g/h (G31)			
Category	I <sub>3B/P</sub> (50)	I <sub>3B/P</sub> (37)	I <sub>3B/P</sub> (30)	I <sub>3+(28-30/37)</sub> ✓
Country of destination	AT, CH, CZ, DE, LU, SK	PL	BE, BG, CY, CZ, DK, EE, FI, FR, GB, GR, HR, HU, IT, LT, LU, LV, MT, NT, NO, RO, SE, SI, SK, TR	BE, CH, CY, CZ, ES, FR, GB, GR, IE, IT, LT, LU, LV, PT, SK, SI
Nominal pressure & Gas type	50/50 mbar Gas: Butane, Propane and Mix of them	37/37 mbar Gas: Butane, Propane and Mix of them	30/30 mbar Gas: Butane, Propane and Mix of them	28-30/37 mbar Gas: Butane at 28-30 mbar and Propane at 37 mbar
Injector diameter (Ø)	1.20 mm	1.28 mm	1.39 mm	1.39 mm
<p><b>⚠ CAUTION!</b>            Close the valve of the gas cylinder or the regulator after use.            The use of this appliance in enclosed areas is DANGEROUS and is PROHIBITED.            Read the instructions before using this appliance.            The appliance must be installed in accordance with the instructions and local regulations.</p> <ol style="list-style-type: none"> <li>For use outdoors or in amply ventilated areas.</li> <li>An amply ventilated area must have a minimum of 25% of the surface area open.</li> <li>The surface area is the sum of the walls surface.</li> </ol>			<p><b>Manufactured by:</b>            Shinerich Industrial Ltd.            8/F, Noble Center, 1006 Fuzhong            3rd Road, Futian District, Shenzhen, China</p>  0063-25	
<p><b>Serial Number:</b>  <b>PIN: 0063CT7096</b></p>			<p><b>WOODS &amp; GO DESIGN S.L. · B98944986</b>            C/ Polígono 4, P18 - 46722 Beniarjó (Valencia) Spain            safety@create-store.com / www.create-store.com            / Made in China</p>	

## INDEX

---

### ENGLISH

Safety instructions	6
Parts List	7
Connecting the gas cylinder	7
Operation	10
Cleaning and maintenance	11
Troubleshooting	11

### PORTUGUÊS

Instruções de segurança	18
Lista de peças	19
Conexão do cilindro de gás	19
Operação	22
Limpeza e manutenção	23
Solução de problemas	23

### ITALIANO

Istruzioni di sicurezza	30
Elenco delle parti	31
Collegamento della bombola del gas	31
Operazione	34
Pulizia e manutenzione	35
Risoluzione dei problemi	35

### NEDERLANDS

Veiligheidsinstructies	42
Onderdelenlijst	43
Aansluiting gasfles	43
Operatie	46
Reiniging en onderhoud	47
Problemen oplossen	47

### ESPAÑOL

Instrucciones de seguridad	12
Listado de partes	13
Conexión de la bombona de gas	13
Funcionamiento	16
Limpieza y mantenimiento	17
Solución de problemas	17

### FRANÇAIS

Consignes de sécurité	24
Liste des pièces	25
Raccordement bouteille de gaz	25
Opération	28
Nettoyage et entretien	29
Dépannage	29

### DEUTSCH

Sicherheitshinweise	36
Teileliste	37
Gasflaschenanschluss	37
Betrieb	40
Reinigung und Wartung	41
Fehlerbehebung	41

### POLSKI

Instrukcje bezpieczeństwa	48
Lista części	49
Podłączenie butli gazowej	49
Działanie	52
Czyszczenie i konserwacja	53
Rozwiązywanie problemów	53

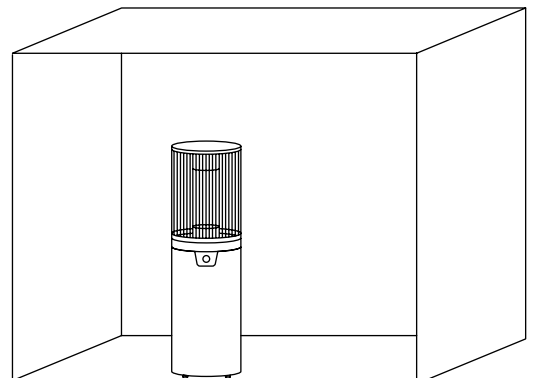
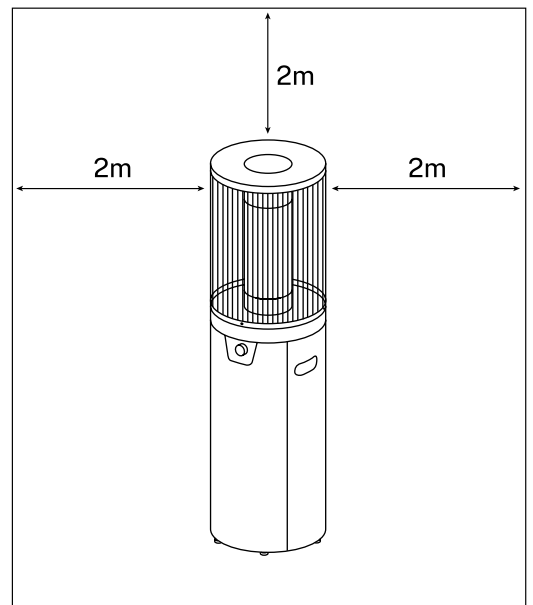
# ENGLISH

Thank you very much for choosing our heater. Before using the appliance, read the instructions carefully for its correct use. The safety precautions included reduce the risk of burns, injury and even death if strictly followed. Please keep this manual in a safe place for future reference, along with the original product packaging and proof of purchase. If possible, please pass these instructions on to the next owner of the product. Always follow basic safety precautions and accident prevention rules when using the appliance. We decline all liability arising from failure by customers to comply with these instructions.

## SAFETY INSTRUCTIONS

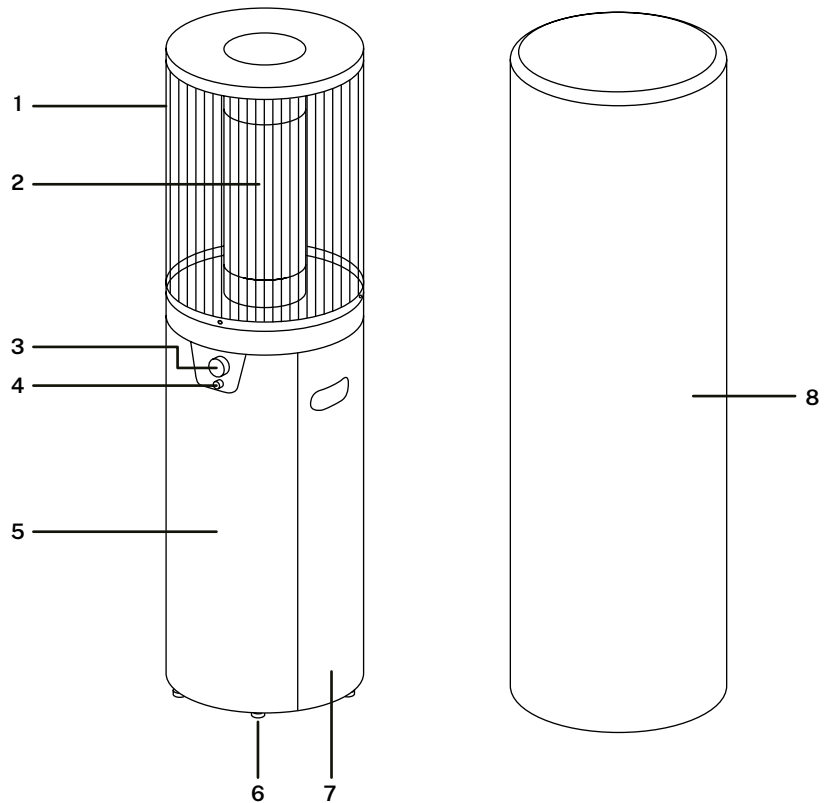
Before using this product, read the basic safety precautions carefully. Failure to follow these instructions may affect or damage the appliance and other objects and cause personal injury:

- This appliance is not intended for use indoors or in closed spaces as this may be dangerous. It should only be used outdoors or in well-ventilated areas. A highly ventilated area should have a minimum of 25% open surface.
- This heater is not equipped with an atmospheric sensing device. Do not use in closed spaces.
- The gas cylinder you are going to use must be stored in accordance with current regulations.
- Use only the type of gas and type of cylinder specified in these instructions.
- Do not block the ventilation holes of the cylinder housing.
- In case of strong winds, special care must be taken to prevent the device from falling.
- Always make sure the heater is completely cool before placing the cover on.
- The gas hose must be changed at the prescribed intervals.
- To assemble the appliance, use all and only the components supplied. Do not modify the heater or its parts. Any modification to the device may be dangerous.
- Keep the appliance out of the reach of children and pets during and after use. Product parts may be very hot.
- Do not store or use gasoline or other flammable vapors or liquids in the vicinity of the heater.
- Turn off the gas supply to the cylinder after use. Always close and disconnect from the main gas supply cylinder after use and for storage.
- Turn off the gas cylinder or regulator valve before moving the appliance. Never move the appliance when it is in operation.
- Place the heater on a level, secure surface, away from flammable items such as wooden objects or overhanging tree branches.
- Never store a heater indoors unless it is completely cool and the gas supply cylinder is disconnected.
- Parts sealed by the manufacturer must not be manipulated by the user.
- This heater is primarily used for outdoor patios, decks and outdoor work areas.
- Always respect the minimum separation distances between the appliance and other objects, 2 metres above and on each side.



## PARTS LIST

1. Protective mesh
2. Glass cylinder
3. Control knob
4. Battery compartment
5. Magnetic door
6. Adjustable legs
7. Main body
8. Protective cover



## CONNECTING THE GAS CYLINDER

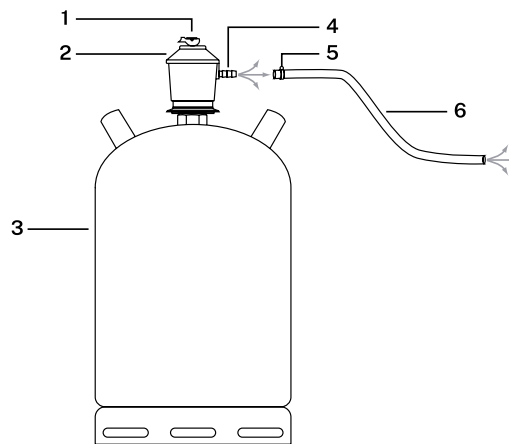
- To use this heater you will need a standard LPG gas cylinder (propane or butane).
- The hose must be CE approved and long enough to allow installation without kinks (the length must not exceed 0.7 m). The hose must be easily visible along its entire length for inspection after installation.
- The pressure regulator must be pre-set and CE approved, and the operating pressure appropriate for the gas cylinder used.
- The gas regulator must be approved according to EN 16129:2013 with the capacity (g/h), pressure, working temperature and inlet + outlet connection appropriate for the destination country.
- Flexible rubber gas tubing must be approved according to 16436-1:2014 with suitable interior to match the gas circuit pipe supports and gas regulator, pressure and working temperature.
- Be especially careful of the danger of gas leakage. This can have potential consequences such as; serious personal injury or property damage if the leaking gas ignites in an environment where it is not controlled.

## SAFETY MEASURES

- When connecting the gas pump, make sure that there are no ignition sources within a radius of at least 5 m.
- Take special care not to light open flames, smoke or turn on electrical appliances, as this could cause possible sparks.
- If necessary, make sure the hose is not kinked or subject to twists, and replace it if necessary.
- Do not obstruct the venturi openings of the cylindrical compartment.

## ITEMS

PART	DESCRIPTION	FUNCTION
1	Lock/Unlock Tab	Blocks or unblocks the passage of gas from the cylinder to the appliance.
2	Regulator	Ensures that the flow from the supply to the appliance is constant and safe.
3	Gas bottle with bottle holder	Fuel container.
4	Regulator nozzle	Allows gas to escape from the cylinder to the nozzle.
5	Safety clamp	They allow the secure connection of the rubber tube to the regulator nozzle, ensuring the tightness of the installation.
6	Flexible rubber tube	Allows gas from the cylinder to pass to the burner.



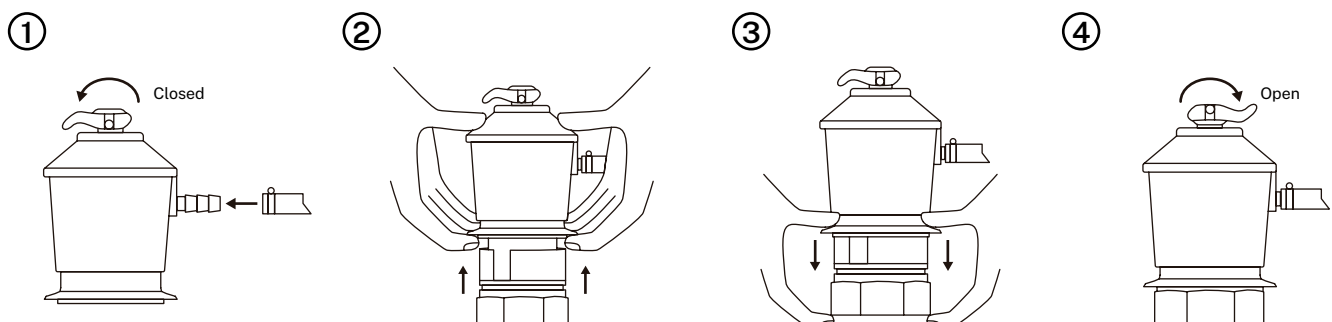
## CONNECTING THE CYLINDER

This appliance is designed to operate with a cylinder with a maximum size of Ø31.8 x 58 cm.

Before starting to connect the cylinder to the device:

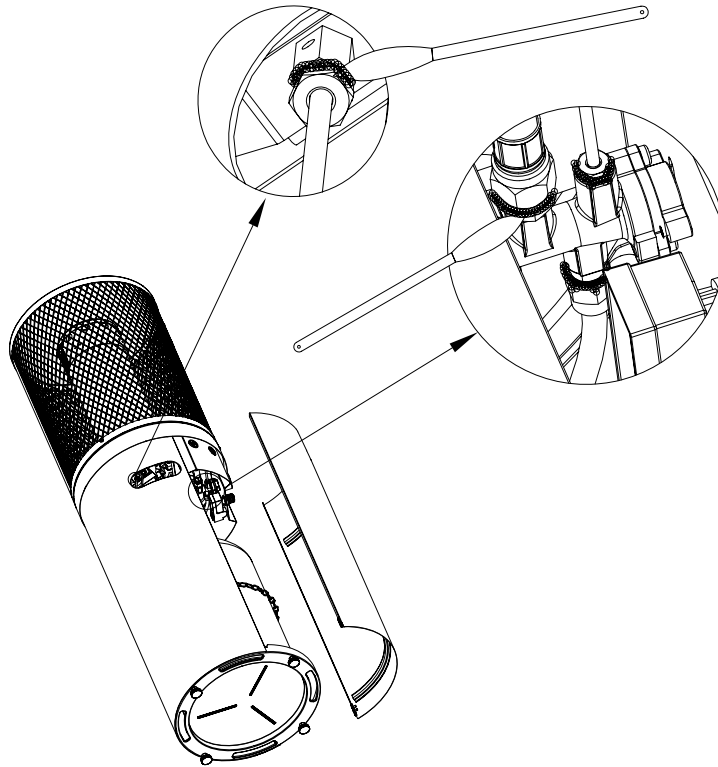
- Select a suitable position to install the heater. Make sure there are no flammable materials or substances nearby.
- Place the gas cylinder next to the heater. Check that the gas cylinder and regulator are in good working order. Also check that the regulator has its seal intact. Do not use any other seal. Check that they are properly connected by pulling the regulator upwards. The regulator must not be disconnected from the cylinder valve.

1. Before connecting the regulator to the cylinder valve, insert the flexible tube into the regulator nozzle. To ensure optimal coupling, use a fixing clamp of the type usually sold with this type of tube and appropriate to its dimensions. The flexible tube used must be approved. Make sure the flexible tube is not kinked or pinched.
2. Check that all device keys are closed, the flexible coupling tube to the regulator is correctly mounted and the locking/unlocking tab of the regulator is in the “closed” position. Without any flame lit, remove the sealing cap from the automatic valve. Pull the ring up and place the regulator over the cylinder valve.
3. Firmly push the hoop down. You will hear a “click” sound, this indicates that the regulator is properly assembled. You can insert the cylinder inside the main body of the heater.
4. Once the regulator is correctly mounted on the cylinder valve, you can open the gas supply by moving the regulator locking tab in the direction opposite to that indicated by the arrow.
5. To interrupt the gas supply, proceed in reverse.



**Note:**

- Confirm that the control knob is in the “OFF” position.
- Open the gas control valve on the cylinder. Check for leaks by running a soapy solution through all joints in the gas system, including all valve connections, hose connections, and regulator connections.
- Never use an open flame to check for leaks.
- If bubbles form in any of the reservoirs, there is a leak. If the connection is not sealed, immediately close the bottle valve and tighten the connection or replace the problem part. Repeat the leak test annually and whenever you repair or replace the gas cylinder.



## REMOVE THE CYLINDER

1. Replacement should always be done in safe places and in the absence of flames or ignition sources. When the appliance is in operation, never attempt to disconnect the regulator from the gas cylinder.
2. The regulator is designed so that it cannot be removed from the cylinder when the gas is on. Therefore, you should check that the device key is in the “locked” position. And the gas supply is in the locked position.
3. Remove the regulator by pulling the ring vertically. Always check that the regulator connection is in good condition. Store the regulator with the gas hose under the grill. Make sure the hose is not twisted or kinked in any way.
4. Store the gas cylinder properly in a safe place.
  - Fit the gas cylinder valve with the cap nut and safety cap.
  - Do not store the gas cylinder in areas below ground level, or in stairs, hallways or areas where pedestrians or vehicles pass through.
  - Always store the gas cylinder outside.
  - Always place the cylinder in an upright position even when empty.

## OPERATION

---

### TURNING ON THE HEATER FOR THE FIRST TIME

1. Insert a 1.5V AAA battery with correct polarity into the battery compartment.
  2. Make sure the control knob is in the "OFF" position.
  3. Open the gas cylinder valve.
  4. Press the control knob and turn it to the "MIN/START" position. Hold it down for 30 seconds.
  5. When the burner is burning steadily, turn the control knob between MIN-MAX to adjust to the desired intensity.
- If the burner does not light, push the control knob in and turn it clockwise to the "OFF" position. After 5 minutes, turn it on again.

**Note:** The burner may be noisy when first turned on. To eliminate excessive burner noise, turn the control knob to the "MIN" position. Next, turn the knob to the desired heat level.

### CHARACTERISTICS OF THE FLAME

- The flame pattern should be checked visually whenever the heater is in operation. Normally the burner flame is blue, but if it has a small yellow flame it is acceptable.
- If the flames extend beyond the grate surface, or black soot accumulates on the emitter grate or reflector, the heater must be shut down immediately and inspected and/or repaired.

### TURN ON THE HEATER

1. Insert a 1.5V AAA battery with correct polarity into the battery compartment.
  2. Make sure the control knob is in the "OFF" position.
  3. Open the gas cylinder valve.
  4. Press the control knob and turn it to "MIN/START". Hold it down for 30 seconds.
  5. When the burner is burning steadily, turn the control knob between "MIN-MAX" to adjust to the desired intensity.
- If the burner does not light, push the control knob in and turn it clockwise to the "OFF" position. After 5 minutes, turn it on again.

### TURNING OFF THE HEATER

1. Press and turn the control knob clockwise to the "OFF" position.
2. Turn the gas valve on the cylinder off when the heater is not in use.

### TURN ON AGAIN

1. Turn the control knob to the "OFF" position.
2. Wait 5 minutes before attempting to relight the burner.
3. Repeat the steps starting from step 2 of the lighting instructions above.

### IN CASE OF GAS LEAK

1. Turn the control knob to the "OFF" position.
2. Turn the cylinder valve to the "OFF" position.
3. Wait 5 minutes to allow the gas to dissipate.
4. If odor persists, contact relevant authorities.

## CLEANING AND MAINTENANCE

### CLEANING

To enjoy your heater for longer with excellent performance, be sure to perform the following maintenance activities on a regular basis:

- Keep exterior surfaces clean.
- Use warm soapy water for cleaning. Never use flammable or corrosive cleaning products.
- While washing the unit, be sure to keep the area around the burner dry at all times.
- If the gas control is exposed to water in any way, do not attempt to operate it. This will need to be replaced.
- Do not obstruct the airflow. Keep heater parts such as the knob, burner and circulating air ducts clean. Signs of a possible obstruction include:
  - Smell of gas with flame color changing to yellow.
  - The appliance does not reach the desired temperature.
  - The brightness of the device is excessively uneven.
  - The device makes noises.
- Spiders and insects nest in the burner or in the holes. This dangerous condition can damage the heater and make it unsafe for use.
- Clean the burner holes with a heavy duty pipe cleaner. Compressed air can help remove small particles.
- Carbon deposits can create a fire hazard.
- Clean the heater dome with warm soapy water if ash deposits form.
- Check the tubing or flexible hose (at least once a month and every time the bottle is changed). If it shows signs of cracking, breakage or other deterioration, it must be replaced with a new flexible hose of the same length and equivalent quality.

### STORAGE

- Store the appliance upright in a location protected from direct contact with the elements (rain, sleet, hail, snow, dust and debris).
- If desired, cover the appliance with a cover designed to protect the exterior surfaces and prevent dust from entering the air ducts.
- Disconnect the gas cylinder and move it to a safe, well-ventilated location outdoors. Do not store it in a place above 50°C.
- Always remove the AAA battery if it is not going to be used for a long time, as it may cause corrosion in the battery compartment.

## TROUBLESHOOTING

PROBLEM	CAUSE	SOLUTION
The burner does not light.	The gas valve is closed.	Open the gas valve.
	The gas cylinder is empty.	Refill the gas cylinder or connect another full one.
	There is air in the fuel system.	Bleed air from the ducts.
	The connection is loose.	Check all connections.
The burner does not stay lit.	There is debris around the burner.	Clean the dirty area.
	The connection is loose.	Check all connections.
	The thermocouple is not working.	Please contact customer service.
	There is a small gas leak.	Check all connections.
	Lack of fuel pressure.	The fuel tank is almost empty.
The heater does not turn on.	The pressure is low.	The fuel tank is almost empty.
	The control knob is not turned on.	Turn the control knob to the on position.
	The thermocouple has broken.	Please contact customer service.
	The control knob is bent or not in the correct location.	Please contact customer service.

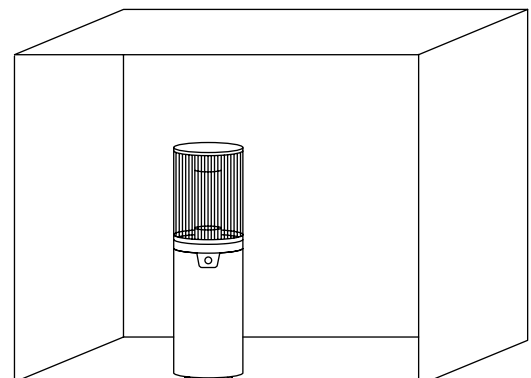
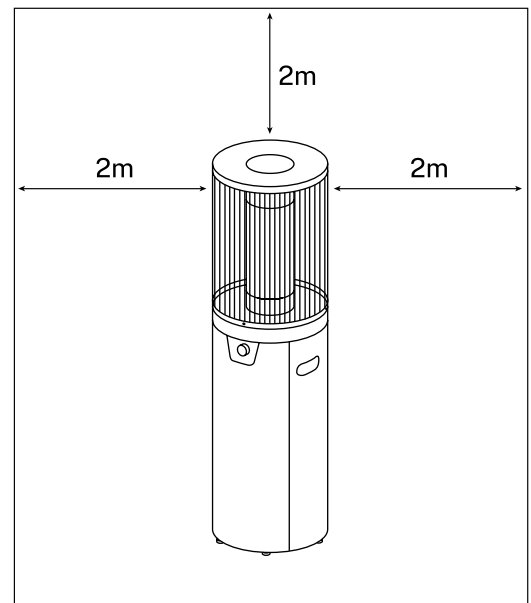
Muchas gracias por elegir nuestro calefactor. Antes de usar el aparato, lea detenidamente las instrucciones para su correcto uso.

Las precauciones de seguridad incluidas reducen el riesgo de sufrir quemaduras, lesiones e incluso la muerte si se respetan estrictamente. Guarde este manual en un lugar seguro para consultarlo en el futuro, el embalaje original del producto y el justificante de compra. Si es posible, entregue estas instrucciones al siguiente propietario del producto. Respete en todo momento las precauciones básicas de seguridad y las normas de prevención de accidentes cuando utilice el aparato. Declinamos toda responsabilidad derivada del incumplimiento de estas instrucciones por parte de los clientes.

## INSTRUCCIONES DE SEGURIDAD

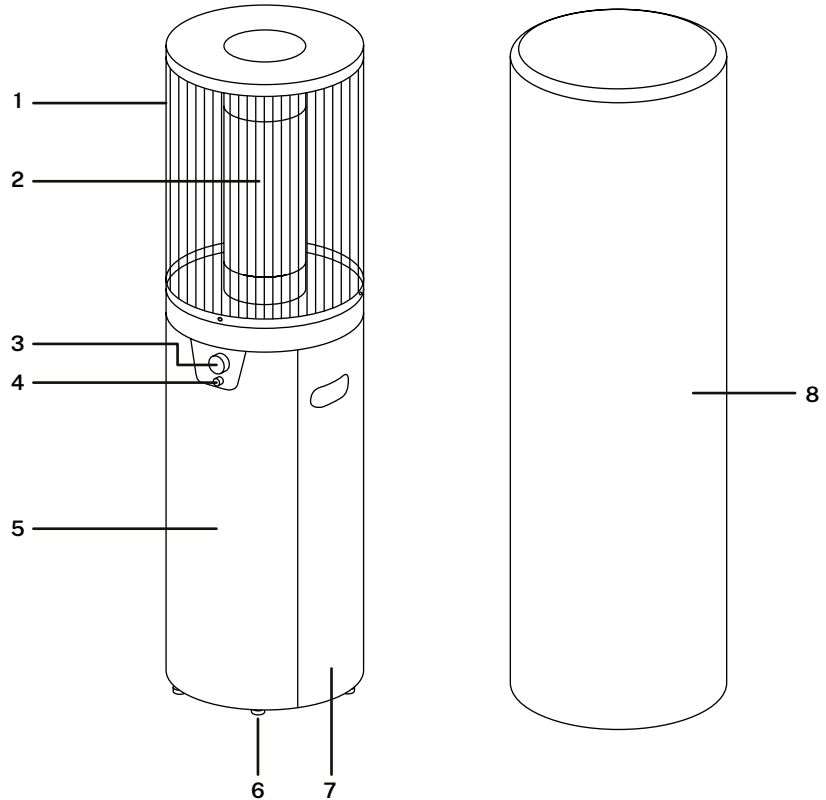
Antes de usar este producto lea detenidamente las precauciones básicas de seguridad, el incumplimiento de estas instrucciones puede afectar o dañar el aparato y otros objetos y provocar lesiones personales:

- Este aparato no está destinado para el uso en interiores o lugares cerrados, ya que podría ser peligroso. Debe utilizarse solo en exteriores o en áreas ampliamente ventiladas. Un área altamente ventilada debe tener un mínimo del 25% de la superficie abierta.
- Este calefactor no está equipado con un dispositivo de detección atmosférica. No utilizar en espacios cerrados.
- La bombona de gas que vaya a utilizar debe almacenarse de acuerdo con la normativa vigente.
- Utilice únicamente el tipo de gas y el tipo de bombona especificados en estas instrucciones.
- No obstruya los orificios de ventilación del alojamiento de la bombona.
- En caso de viento violento, debe prestarse especial atención para evitar la caída del aparato.
- Asegúrese siempre de que el calefactor está completamente frío antes de colocar la cubierta.
- El tubo flexible del gas debe cambiarse en los intervalos prescritos.
- Para el montaje del aparato utilice todos y sólo los componentes suministrados. No modifique el calefactor ni sus piezas. Cualquier modificación del aparato puede ser peligrosa.
- Mantenga el aparato fuera del alcance de los niños y animales domésticos durante y después de su uso. Las piezas del producto pueden estar muy calientes.
- No almacene ni utilice gasolina u otros vapores o líquidos inflamables en las proximidades del calefactor.
- Cierre el suministro de gas de la bombona después de su uso. Cierre y desconecte siempre de la bombona principal de suministro de gas después de su uso y para su almacenamiento.
- Cierre la válvula de la bombona de gas o del regulador antes de mover el aparato. Nunca mueva el aparato cuando esté en funcionamiento.
- Coloque el calefactor sobre una superficie nivelada y segura, alejada de elementos inflamables como objetos de madera o ramas de árboles colgantes.
- No almacene nunca un calefactor en el interior a menos que esté completamente frío y la bombona de suministro de gas esté desconectada.
- Las piezas precintadas por el fabricante no deberán ser manipuladas por el usuario.
- Este calefactor se utiliza principalmente para patios exteriores, terrazas y zonas de trabajo al aire libre.
- Respete siempre las distancias mínimas de separación del aparato con otros objetos, 2 metros por encima y por cada lado.



## LISTADO DE PARTES

1. Malla de protección
2. Cilindro de cristal
3. Perilla de control
4. Compartimento para pila
5. Puerta imantada
6. Patas ajustables
7. Cuerpo principal
8. Cubierta protectora



## CONEXIÓN DE LA BOMBONA DE GAS

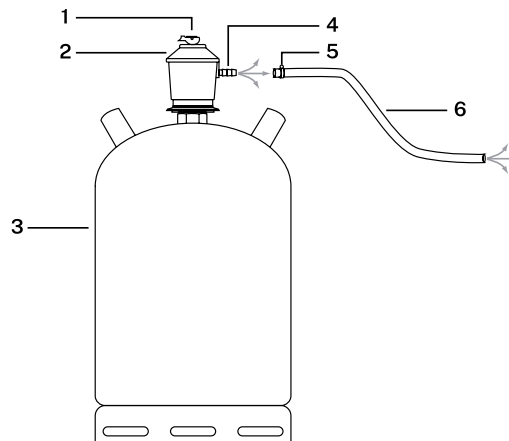
- Para poder utilizar este calefactor necesitará una bombona de gas GLP estándar (propano o butano).
- La manguera debe estar homologada por la CE y tener la longitud suficiente para permitir una instalación sin dobleces (la longitud no deberá superar los 0,7 m). La manguera debe ser fácilmente visible en toda su longitud para su inspección después de la instalación.
- El regulador de presión debe estar preajustado y homologado por la CE, y la presión de funcionamiento adecuada para la bombona de gas utilizada.
- El regulador de gas debe estar aprobado según EN 16129:2013 con la capacidad (g/h), presión, temperatura de trabajo y conexión de entrada + salida adecuadas para el país de destino.
- La tubería flexible de goma para gas debe estar homologada según 16436-1:2014 con el interior adecuado para que coincida con los soportes de tubería del circuito de gas y el regulador de gas, la presión y la temperatura de trabajo.
- Tenga especial cuidado con el peligro de escape de gas. Esto puede tener posibles consecuencias como; lesiones personales graves o daños a la propiedad si el gas que se escapa se enciende en un entorno en el que no está controlado.

## MEDIDAS DE SEGURIDAD

- Al conectar la bomba de gas, asegúrese de que no haya fuentes de ignición en un radio de al menos 5 m.
- Tenga especial cuidado de no encender llamas abiertas, no fume o encienda aparatos eléctricos, esto podría provocar posibles chispazos.
- Si es necesario, asegúrese de que la manguera no tenga dobleces ni esté sujeta a torceduras, si es así reemplacela.
- No obstruya las aberturas del venturi del compartimento cilíndrico.

## ELEMENTOS

PIEZA	DESCRIPCIÓN	FUNCIÓN
1	Pestaña de bloqueo / desbloqueo	Bloquea o desbloquea el paso del gas de la bombona al aparato.
2	Regulador	Garantiza que el flujo desde el suministro hacia el aparato sea constante y seguro.
3	Botella de gas con portabotellas	Contenedor de combustible.
4	Boquilla del regulador	Permite la salida de gas de la bombona a la boquilla.
5	Abrazadera de seguridad	Permiten la unión segura del tubo de goma a la boquilla del regulador garantizando la estanqueidad de la instalación.
6	Tubo de goma flexible	Permite que el gas de la bombona pase al quemador.



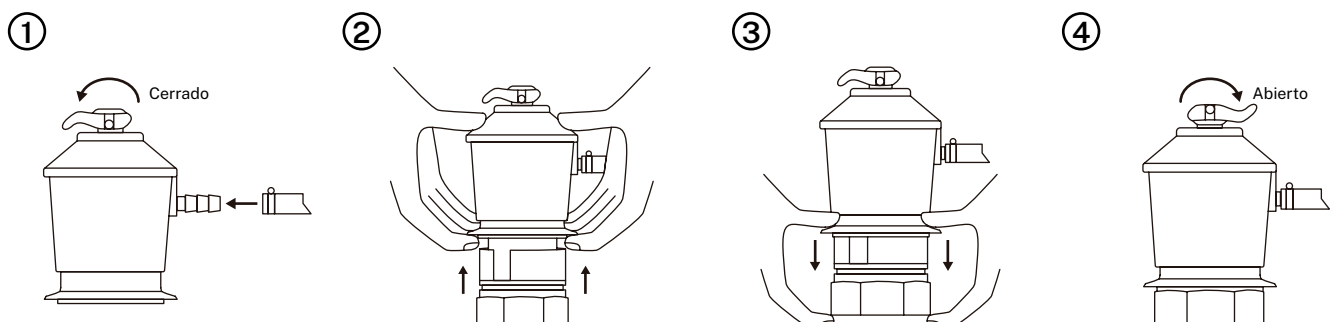
## CONEXIÓN DE LA BOMBONA

Este aparato está diseñado para funcionar con una bombona de tamaño máximo Ø31,8 x 58 cm.

Antes de comenzar la conexión de la bombona al aparato:

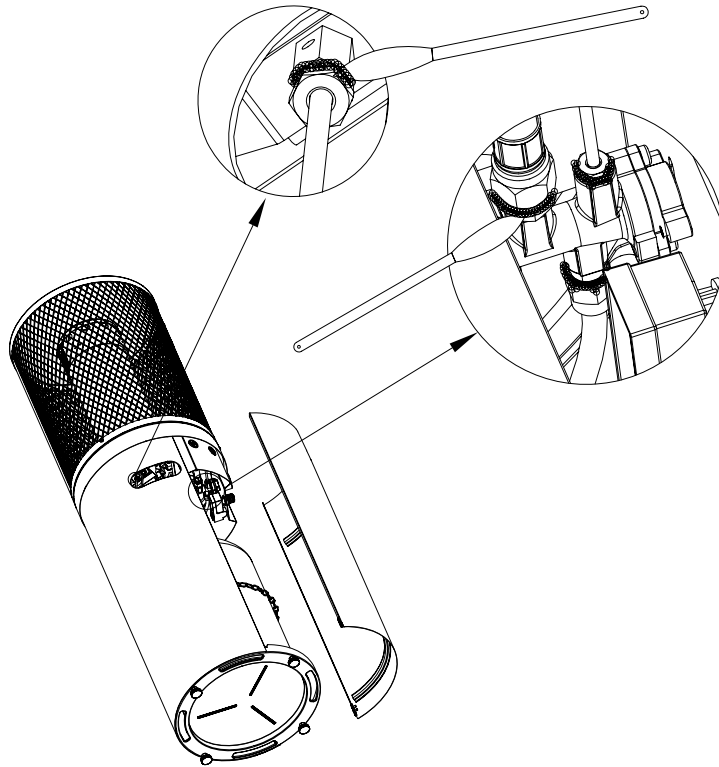
- Seleccione una posición adecuada para instalar el calefactor. Asegúrese de que no haya materiales o sustancias inflamables cerca.
- Coloque la bombona de gas junto al calefactor. Compruebe que la bombona de gas y el regulador están en buenas condiciones de funcionamiento. Compruebe también que el regulador tenga el precinto intacto. No utilice ningún otro precinto. Revise que están correctamente conectados tirando del regulador hacia arriba. El regulador no debe desconectarse de la válvula de la botella.

1. Antes de conectar el regulador a la válvula de la bombona, inserte el tubo flexible en la boquilla del regulador. Para garantizar un acoplamiento óptimo, utilice una abrazadera de fijación de las que se venden habitualmente con este tipo de tubo y adecuada a las dimensiones del mismo. El tubo flexible utilizado debe estar homologado. Asegúrese de que el tubo flexible no queda retorcido o estrangulado.
2. Compruebe que todas las llaves del dispositivo están cerradas, el tubo flexible de acoplamiento al regulador está correctamente montado y la pestaña de bloqueo/desbloqueo del regulador está en la posición "cerrado". Sin que haya ninguna llama encendida, quite el tapón de precintado de la válvula automática. Tire del aro hacia arriba y coloque el regulador sobre la válvula de la bombona.
3. Empuje con firmeza el aro hacia abajo. Oirá un "clic", esto indica que el regulador está bien ensamblado. Puede introducir la bombona dentro del cuerpo principal del calefactor.
4. Una vez que el regulador está correctamente montado sobre la válvula de la bombona, podrá abrir el suministro de gas llevando la pestaña de bloqueo del regulador en la dirección opuesta a la indicada por la flecha.
5. Para interrumpir el suministro de gas proceder al contrario.



**Nota:**

- Confirme que la perilla de control está en la posición de "OFF".
- Abra la válvula de control de gas en la bombona. Compruebe que no haya fugas pasando una solución jabonosa por todas las juntas del sistema de gas, incluidas todas las conexiones de válvulas, conexiones de mangueras y conexiones de reguladores.
- No utilice nunca una llama abierta para comprobar fugas.
- Si se forman burbujas en alguno de los depósitos, hay una fuga. Si la conexión no está sellada, cierre inmediatamente la válvula de la botella y apriete la conexión o sustituya la pieza que da problemas. Repita la prueba de estanqueidad anualmente y siempre que repare o reponga la bombona de gas.



**EXTRAER LA BOMBONA**

1. La sustitución debe hacerse siempre en lugares seguros y en ausencia de llamas o fuentes de ignición. Cuando el aparato esté en funcionamiento, nunca intente desconectar el regulador de la bombona de gas.
2. El regulador está preparado para que no sea posible retirarlo de la bombona cuando el gas esté abierto. Por tanto, debe comprobar que la llave del dispositivo están en la posición de "cerrada". Y el suministro de gas esté en la posición de bloqueo.
3. Desmonte el regulador tirando verticalmente del aro. Compruebe siempre que la conexión del regulador está en buen estado. Guarde el regulador con la manguera de gas debajo de la barbacoa. Asegúrese de que la manguera no está torcida ni doblada de ninguna manera.
4. Guarde la bombona de gas correctamente en un lugar seguro.
  - Coloque la válvula de la bombona de gas con la tuerca ciega y el tapón de seguridad.
  - No guarde la bombona de gas en zonas por debajo del nivel del suelo, ni en escaleras, pasillos o zonas de paso para peatones o vehículos.
  - Guarde siempre la bombona de gas en el exterior.
  - Coloque siempre la bombona en posición vertical incluso cuando esté vacía.

## FUNCIONAMIENTO

---

### ENCENDER EL CALEFACTOR POR PRIMERA VEZ

1. Inserte una pila AAA de 1,5 V con la polaridad correcta en el compartimento de la pila.
  2. Asegúrese de que la perilla de control está en la posición "OFF".
  3. Abra la válvula de la bombona de gas.
  4. Pulse la perilla de control y gírela hasta la posición "MIN/START". Manténgala pulsado durante 30 segundos.
  5. Cuando el quemador arda de forma estable, gire la perilla de control entre MIN-MAX para ajustar a la intensidad deseada.
- Si el quemador no se enciende, pulse la perilla de control y gírela en el sentido de las agujas del reloj hasta la posición "OFF". Pasados 5 minutos repita el encendido.

**Nota:** El quemador puede ser ruidoso cuando se enciende por primera vez. Para eliminar el ruido excesivo del quemador, gire la perilla de control a la posición «MIN». A continuación, gire la perilla hasta el nivel de calor deseado.

### CARACTERÍSTICAS DE LA LLAMA

- El patrón de la llama debe comprobarse visualmente siempre que el calefactor esté en funcionamiento. Normalmente la llama del quemador es azul, pero si presenta una pequeña llama amarilla es aceptable.
- Si las llamas se extienden más allá de la superficie de la rejilla, o se acumula hollín negro en la rejilla del emisor o el reflector, el calefactor debe apagarse inmediatamente y ser revisado y/o reparado.

### ENCENDER EL CALEFACTOR

1. Inserte una pila AAA de 1,5 V con la polaridad correcta en el compartimento de la pila.
  2. Asegúrese de que la perilla de control está en la posición "OFF".
  3. Abra la válvula de la bombona de gas.
  4. Pulse la perilla de control y gírela hasta "MIN/START". Manténgala pulsado durante 30 segundos.
  5. Cuando el quemador arda de forma estable, gire la perilla de control entre "MIN-MAX" para ajustar a la intensidad deseada.
- Si el quemador no se enciende, pulse la perilla de control y gírela en el sentido de las agujas del reloj hasta la posición "OFF". Pasados 5 minutos repita el encendido.

### APAGADO DEL CALEFACTOR

1. Presione y gire la perilla de control en el sentido de las agujas del reloj hasta la posición "OFF".
2. Gire la válvula de gas de la bombona cuando el calefactor no esté en uso.

### VOLVER A ENCENDER

1. Gire la perilla de control a la posición de "OFF".
2. Espere 5 minutos antes de intentar volver a encender el quemador.
3. Repita los pasos a partir del paso 2 de las instrucciones de encendido anteriores.

### EN CASO DE FUGA DE GAS

1. Gire la perilla de control a la posición de "OFF".
2. Gire la válvula de la bombona a la posición "OFF".
3. Espere 5 minutos para permitir que el gas se disipe.
4. Si el olor persiste, póngase en contacto con las autoridades pertinentes.

## LIMPIEZA Y MANTENIMIENTO

### LIMPIEZA

Para disfrutar de su calefactor durante mayor tiempo con un excelente rendimiento, asegúrese de realizar las siguientes actividades de mantenimiento de forma regular:

- Mantenga limpias las superficies exteriores.
- Utilice agua jabonosa tibia para la limpieza. Nunca utilice productos de limpieza inflamables o corrosivos.
- Mientras lave la unidad, asegúrese de mantener seca el área alrededor del quemador en todo momento.
- Si el control de gas queda expuesto al agua de alguna manera, no intente utilizarlo. Este deberá ser sustituido.
- No obstruya el flujo de aire. Mantenga limpio las partes del calefactor como son la perilla, el quemador y los conductos de aire circulante. Los signos de una posible obstrucción incluyen:
  - Olor a gas con cambio de color de la llama a amarillo.
  - El aparato no alcanza la temperatura deseada.
  - El brillo del aparato es excesivamente irregular.
  - El aparato hace ruidos.
- Arañas e insectos anidan en el quemador o en los orificios. Esta condición peligrosa puede dañar el calefactor y hacerlo inseguro para su uso.
- Limpie los orificios del quemador con un limpiador de tuberías resistente. El aire comprimido puede ayudar a eliminar pequeñas partículas.
- Los depósitos de carbón pueden crear un riesgo de incendio.
- Limpie la cúpula del calefactor con agua jabonosa tibia si se forman depósitos de cenizas.
- Compruebe la tubería o el tubo flexible (al menos una vez al mes y cada vez que se cambie la botella). Si muestra signos de agrietamiento, rotura u otro deterioro, deberá cambiarse por un nuevo tubo flexible de la misma longitud y de calidad equivalente.

### ALMACENAMIENTO

- Guarde el aparato en posición vertical en un lugar protegido del contacto directo con las inclemencias (lluvia, aguanieve, granizo, nieve, polvo y escombros).
- Si lo desea, cubra el aparato con unacubierta especificado para proteger las superficies exteriores y evitar que entre polvo en los conductos de aire.
- Desconecte la bombona de gas y trasládela a un lugar seguro y bien ventilado al aire libre. No la almacene en un lugar que supere los 50 °C.
- Retire siempre la pila AAA si no se va a utilizar durante mucho tiempo, ya que puede provocar corrosión en el compartimento de la pila.

## SOLUCIÓN DE PROBLEMAS

PROBLEMA	CAUSA	SOLUCIÓN
El quemador no se enciende.	La válvula de gas está cerrada.	Abra la válvula de gas.
	La bombona de gas está vacía.	Rellene la bombona de gas o conecte otra que esté llena.
	Hay aire en el sistema de alimentación.	Purgue el aire de los conductos.
	La conexión está floja.	Compruebe todas las conexiones.
El quemador no permanece encendido.	Existen residuos alrededor del quemador.	Limpie la zona sucia.
	La conexión está floja.	Compruebe todas las conexiones.
	El termopar no funciona.	Póngase en contacto con el servicio de atención al cliente.
	Existe una pequeña fuga de gas.	Compruebe todas las conexiones.
El calefactor no se enciende.	Falta de presión de combustible.	El depósito de combustible está casi vacío.
	La presión es baja.	El depósito de combustible está casi vacío.
	La perilla de control no está encendida.	Gire la perilla de control a la posición de encendido.
	El termopar se ha roto.	Póngase en contacto con el servicio de atención al cliente.
	La perilla de control está doblada o no se encuentra en la ubicación correcta.	Póngase en contacto con el servicio de atención al cliente.

# PORTUGUÊS

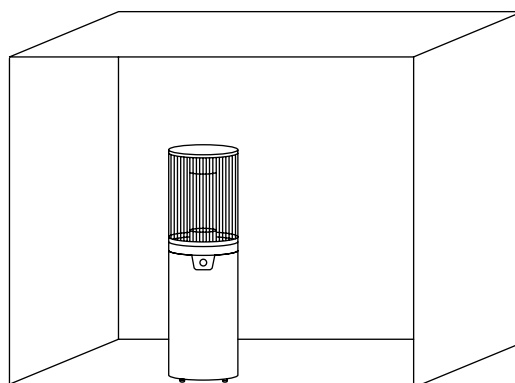
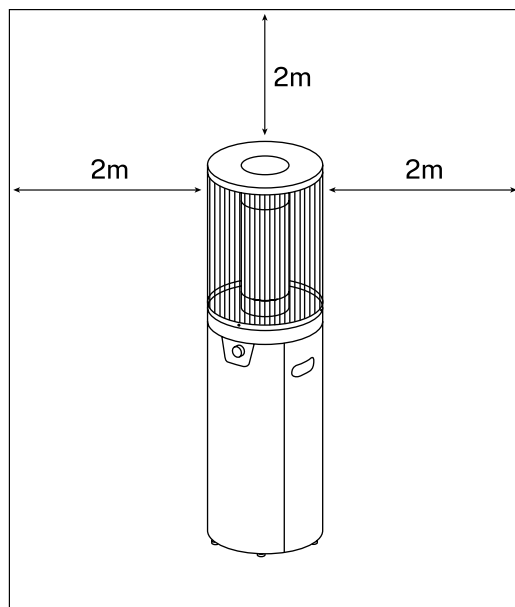
Muito obrigado por escolher nosso aquecedor. Antes de utilizar o aparelho, leia atentamente as instruções para seu correto uso.

As precauções de segurança incluídas reduzem o risco de queimaduras, ferimentos e até morte se forem rigorosamente seguidas. Guarde este manual em local seguro para referência futura, a embalagem original do produto e o comprovante de compra. Se possível, passe estas instruções ao próximo proprietário do produto. Observe sempre as precauções básicas de segurança e regras de prevenção de acidentes ao usar o aparelho. Declinamos qualquer responsabilidade decorrente do não cumprimento destas instruções por parte dos clientes.

## INSTRUÇÕES DE SEGURANÇA

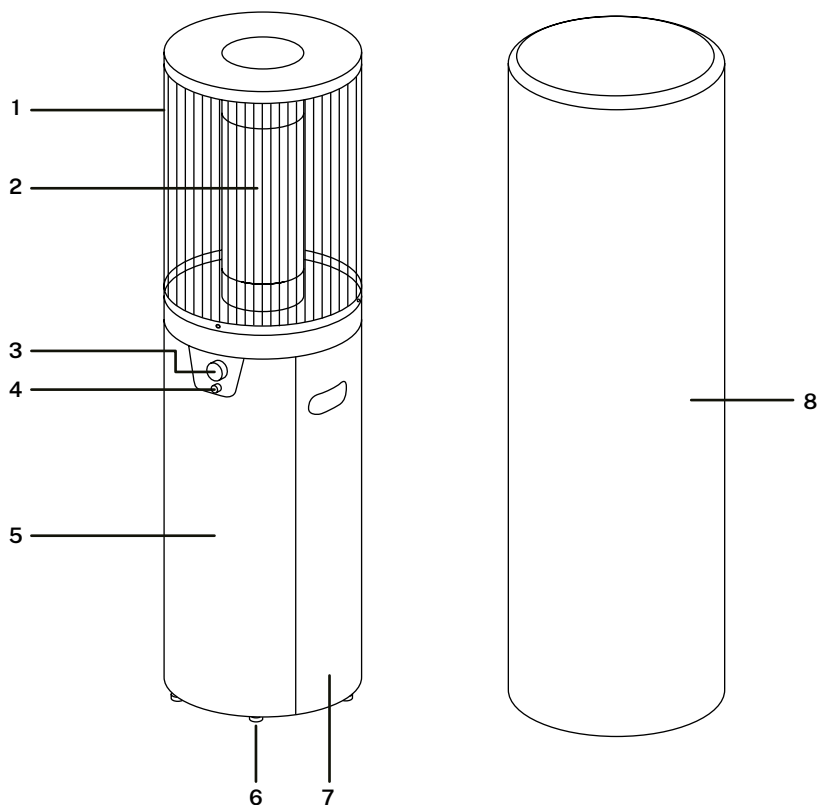
Antes de usar este produto, leia atentamente as precauções básicas de segurança. O não cumprimento destas instruções pode afetar ou danificar o aparelho e outros objetos e causar ferimentos pessoais:

- Este dispositivo não se destina a ser utilizado em ambientes fechados ou fechados, pois pode ser perigoso. Deve ser usado apenas ao ar livre ou em áreas amplamente ventiladas. Uma área altamente ventilada deve ter no mínimo 25% da superfície aberta.
- Este aquecedor não está equipado com um dispositivo de detecção atmosférica. Não use em espaços fechados.
- A botija de gás que vai utilizar deve ser armazenada de acordo com as normas vigentes.
- Use apenas o tipo de gás e o tipo de cilindro especificados nestas instruções.
- Não bloqueie os orifícios de ventilação na carcaça do cilindro.
- Em caso de vento forte, atenção especial deve ser dada para evitar que o aparelho caia.
- Certifique-se sempre de que o aquecedor esteja completamente frio antes de recolocar a tampa.
- A mangueira de gás deve ser trocada nos intervalos prescritos.
- Para montar o dispositivo, utilize todos e somente os componentes fornecidos. Não modifique o aquecedor ou suas peças. Qualquer modificação no dispositivo pode ser perigosa.
- Mantenha o aparelho fora do alcance de crianças e animais de estimação durante e após o uso. As peças do produto podem estar muito quentes.
- Não armazene nem use gasolina ou outros vapores ou líquidos inflamáveis nas proximidades do aquecedor.
- Desligue o fornecimento de gás ao cilindro após o uso. Sempre feche e desconecte do cilindro principal de fornecimento de gás após o uso e para armazenamento.
- Feche a válvula da garrafa de gás ou regulador antes de movimentar o aparelho. Nunca mova o aparelho quando estiver em funcionamento.
- Coloque o aquecedor em uma superfície segura e nivelada, longe de itens inflamáveis, como objetos de madeira ou galhos de árvores pendurados.
- Nunca guarde um aquecedor dentro de casa, a menos que esteja completamente frio e o cilindro de fornecimento de gás esteja desconectado.
- As peças seladas pelo fabricante não devem ser manipuladas pelo usuário.
- Este aquecedor é utilizado principalmente para pátios externos, terraços e áreas de trabalho externas.
- Respeite sempre as distâncias mínimas de separação entre o aparelho e outros objetos, 2 metros acima e de cada lado.



## LISTA DE PEÇAS

1. Malha protetora
2. Cilindro de vidro
3. Botão de controle
4. Compartimento da bateria
5. Porta magnética
6. Pernas ajustáveis
7. Corpo principal
8. Capa protetora



## CONEXÃO DO CILINDRO DE GÁS

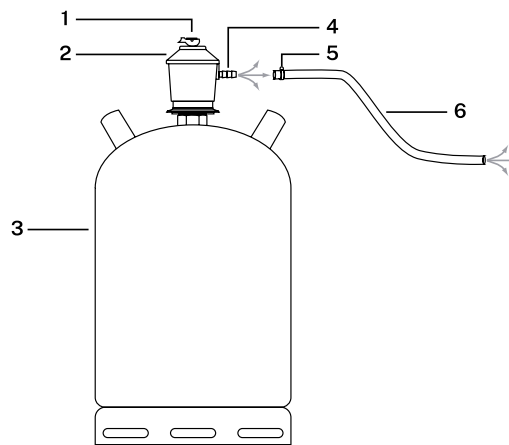
- Para utilizar este aquecedor você precisará de um cilindro de gás GLP padrão (propano ou butano).
- A mangueira deve ter aprovação CE e ter comprimento suficiente para permitir uma instalação sem dobras (o comprimento não deve exceder 0,7 m). A mangueira deve ser facilmente visível em todo o seu comprimento para inspeção após a instalação.
- O regulador de pressão deve ser predefinido e aprovado pela CE, e a pressão operacional apropriada para o cilindro de gás usado.
- O regulador de gás deve ser homologado conforme EN 16129:2013 com capacidade (g/h), pressão, temperatura de trabalho e ligação de entrada + saída adequadas ao país de destino.
- O tubo de gás de borracha flexível deve ser aprovado conforme 16436-1:2014 com interior adequado para combinar com os suportes do tubo do circuito de gás e do regulador de gás, a pressão e a temperatura de trabalho.
- Tenha especial cuidado com o perigo de vazamentos de gás. Isto pode ter possíveis consequências como; Lesões pessoais graves ou danos materiais se o gás escapando entrar em ignição em um ambiente não controlado.

## MEDIDAS DE SEGURANÇA

- Ao conectar a bomba de gasolina, certifique-se de que não haja fontes de ignição num raio de pelo menos 5 m.
- Tenha especial cuidado para não acender chamas, fumar ou ligar aparelhos elétricos, pois isso pode causar possíveis faíscas.
- Se necessário, certifique-se de que a mangueira não esteja dobrada ou sujeita a dobras; se for o caso, substitua-a.
- Não bloqueie as aberturas venturi do compartimento cilíndrico.

## UNID

PAPEL	DESCRIÇÃO	FUNÇÃO
1	Guia Bloquear/Desbloquear	Bloqueia ou desbloqueia a passagem do gás do cilindro para o dispositivo.
2	Regulador	Garante que o fluxo da alimentação para o aparelho seja constante e seguro.
3	Garrafa de gás com porta-garrafa	Recipiente de combustível.
4	Bocal regulador	Permite que o gás escape do cilindro para o bico.
5	Braçadeira de segurança	Permite a conexão segura do tubo de borracha ao bico regulador, garantindo a estanqueidade da instalação.
6	Tubo de borracha flexível	Permite que o gás do cilindro passe para o queimador.



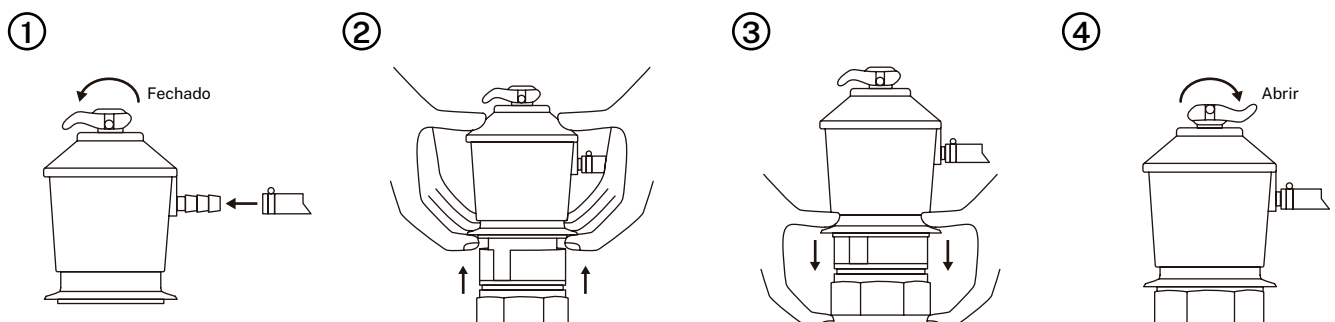
## CONEXÃO DO CILINDRO

Este aparelho foi concebido para funcionar com um cilindro com dimensões máximas de Ø31,8 x 58 cm.

Antes de começar a conectar o cilindro ao dispositivo:

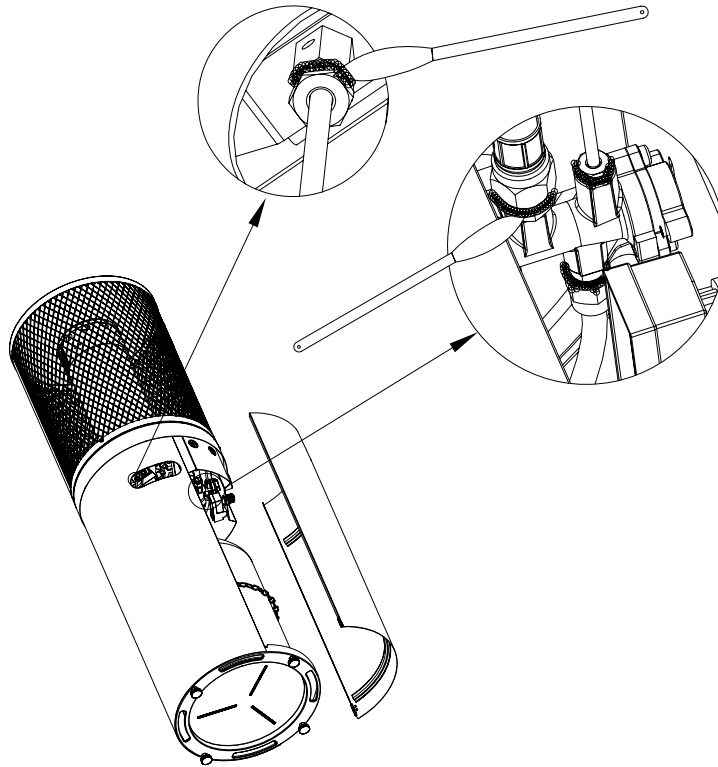
- Selecione uma posição adequada para instalar o aquecedor. Certifique-se de que não haja materiais ou substâncias inflamáveis nas proximidades.
- Coloque o cilindro de gás próximo ao aquecedor. Verifique se o cilindro de gás e o regulador estão em boas condições de funcionamento. Verifique também se o regulador está com a vedação intacta. Não use nenhum outro selo. Verifique se estão corretamente conectados puxando o regulador para cima. O regulador não deve ser desconectado da válvula da garrafa.

1. Antes de conectar o regulador à válvula do cilindro, insira o tubo flexível no bocal do regulador. Para garantir um acoplamento ideal, utilize uma braçadeira de fixação normalmente vendida com este tipo de tubo e adequada às suas dimensões. O tubo flexível utilizado deve ser aprovado. Certifique-se de que a mangueira flexível não esteja torcida ou comprimida.
2. Verifique se todas as chaves do dispositivo estão fechadas, se a mangueira flexível que conecta ao regulador está montada corretamente e se a aba de trava/destravamento do regulador está na posição “fechada”. Sem qualquer chama acesa, retire o bujão de vedação da válvula automática. Puxe o anel para cima e coloque o regulador sobre a válvula do cilindro.
3. Empurre firmemente o anel para baixo. Você ouvirá um “clique”, que indica que o regulador está montado corretamente. Você pode inserir o cilindro dentro do corpo principal do aquecedor.
4. Assim que o regulador estiver devidamente montado na válvula do cilindro, você pode ligar o fornecimento de gás movendo a aba de travamento do regulador na direção oposta à indicada pela seta.
5. Para interromper o fornecimento de gás, proceda no sentido oposto.



#### Observação:

- Confirme se o botão de controle está na posição “OFF”.
- Abra a válvula de controle de gás no cilindro. Verifique se há vazamentos passando uma solução de sabão em todas as juntas do sistema de gás, incluindo todas as conexões de válvulas, conexões de mangueiras e conexões de reguladores.
- Nunca use uma chama aberta para verificar se há vazamentos.
- Se formar bolhas em algum dos tanques, há vazamento. Se a conexão não estiver vedada, feche imediatamente a válvula da garrafa e aperte a conexão ou substitua a peça com problema. Repita o teste de vazamento anualmente e sempre que reparar ou substituir o cilindro de gás.



#### REMOVA O CILINDRO

1. A substituição deve ser feita sempre em locais seguros e na ausência de chamas ou fontes de ignição. Quando o aparelho estiver em funcionamento, nunca tente desligar o regulador da botija de gás.
2. O regulador está preparado para que não seja possível retirá-lo do cilindro ao ligar o gás. Portanto, você deve verificar se a chave do dispositivo está na posição “fechada”. E o suprimento de gás está na posição travada.
3. Desmonte o regulador puxando verticalmente o anel. Verifique sempre se a conexão do regulador está em boas condições. Guarde o regulador com a mangueira de gás embaixo da churrasqueira. Certifique-se de que a mangueira não esteja torcida ou dobrada de alguma forma.
4. Armazene o cilindro de gás adequadamente em um local seguro.
  - Instale a válvula do cilindro de gás com a porca de capa e a tampa de segurança.
  - Não armazene a botija de gás em áreas abaixo do nível do solo, nem em escadas, corredores ou áreas por onde passam pedestres ou veículos.
  - Guarde sempre a botija de gás no exterior.
  - Coloque sempre o cilindro na vertical, mesmo quando vazio.

## OPERAÇÃO

---

### LIGUE O AQUECEDOR PELA PRIMEIRA VEZ

1. Insira uma bateria AAA de 1,5 V com a polaridade correta no compartimento da bateria.
2. Certifique-se de que o botão de controle esteja na posição “OFF”.
3. Abra a válvula do cilindro de gás.
4. Pressione o botão de controle e gire-o para a posição “MIN/START”. Mantenha pressionado por 30 segundos.
5. Quando o queimador queimar de forma estável, gire o botão de controle entre MIN-MAX para ajustar a intensidade desejada.

Se o queimador não acender, pressione o botão de controle e gire-o no sentido horário para a posição “OFF”. Após 5 minutos, repita a ignição.

Observação: O queimador pode fazer barulho quando é ligado pela primeira vez. Para eliminar o ruído excessivo do queimador, gire o botão de controle para a posição “MIN”. Em seguida, gire o botão até o nível de calor desejado.

### CARACTERÍSTICAS DA CHAMA

- O padrão da chama deve ser verificado visualmente sempre que o aquecedor estiver em operação. Normalmente a chama do queimador é azul, mas se tiver uma pequena chama amarela é aceitável.
- Se as chamas se estenderem além da superfície da grade ou se houver acúmulo de fuligem preta na grade do emissor ou no refletor, o aquecedor deverá ser desligado imediatamente e inspecionado e/ou reparado.

### LIGUE O AQUECEDOR

1. Insira uma bateria AAA de 1,5 V com a polaridade correta no compartimento da bateria.
2. Certifique-se de que o botão de controle esteja na posição “OFF”.
3. Abra a válvula do cilindro de gás.
4. Pressione o botão de controle e gire-o para “MIN/START”. Mantenha pressionado por 30 segundos.
5. Quando o queimador queimar de forma estável, gire o botão de controle entre “MIN-MAX” para ajustar a intensidade desejada.

Se o queimador não acender, pressione o botão de controle e gire-o no sentido horário para a posição “OFF”. Após 5 minutos, repita a ignição.

### DESLIGAMENTO DO AQUECEDOR

1. Pressione e gire o botão de controle no sentido horário para a posição “OFF”.
2. Gire a válvula do cilindro de gás quando o aquecedor não estiver em uso.

### RETORNAR

1. Gire o botão de controle para a posição “OFF”.
2. Aguarde 5 minutos antes de tentar reacender o queimador.
3. Repita as etapas começando com a etapa 2 das instruções de inicialização acima.

### EM CASO DE VAZAMENTO DE GÁS

1. Gire o botão de controle para a posição “OFF”.
2. Gire a válvula do cilindro para a posição “OFF”.
3. Aguarde 5 minutos para permitir que o gás se dissipe.
4. Se o odor persistir, contacte as autoridades competentes.

## LIMPEZA E MANUTENÇÃO

### LIMPEZA

Para desfrutar do seu aquecedor por muito tempo com excelente desempenho, certifique-se de realizar regularmente as seguintes atividades de manutenção:

- Mantenha as superfícies externas limpas.
- Use água morna com sabão para limpeza. Nunca utilize produtos de limpeza inflamáveis ou corrosivos.
- Ao lavar a unidade, certifique-se de manter a área ao redor do queimador sempre seca.
- Se o controle de gás ficar exposto à água de alguma forma, não tente usá-lo. Isso terá que ser substituído.
- Não obstrua o fluxo de ar. Mantenha limpas partes do aquecedor, como botão, queimador e dutos de ar circulante. Os sinais de um possível bloqueio incluem:
  - Cheiro de gás com mudança de cor da chama para amarelo.
  - O aparelho não atinge a temperatura desejada.
  - O brilho do aparelho é excessivamente irregular.
  - O dispositivo faz barulho.
- Aranhas e insetos fazem ninhos no queimador ou nos buracos. Esta condição perigosa pode danificar o aquecedor e torná-lo inseguro para uso.
- Limpe os orifícios do queimador com um limpador de cachimbo resistente. O ar comprimido pode ajudar a remover pequenas partículas.
- Os depósitos de carbono podem criar risco de incêndio.
- Limpe a cúpula do aquecedor com água morna e sabão se houver formação de depósitos de cinzas.
- Verifique o tubo ou mangueira (pelo menos uma vez por mês e sempre que o frasco for trocado). Caso apresente sinais de fissuras, quebras ou outras deteriorações, deverá ser substituído por um novo tubo flexível do mesmo comprimento e de qualidade equivalente.

### ARMAZENAR

- Guarde o aparelho na vertical, num local protegido do contacto direto com as intempéries (chuva, granizo, granizo, neve, pó e detritos).
- Se desejar, cubra o aparelho com uma cobertura específica para proteger as superfícies exteriores e evitar a entrada de pó nas condutas de ar.
- Desconecte o cilindro de gás e leve-o para um local externo seguro e bem ventilado. Não guarde em local acima de 50°C.
- Sempre remova a bateria AAA se não for usá-la por um longo período, pois pode causar corrosão no compartimento da bateria.

## SOLUÇÃO DE PROBLEMAS

PROBLEMA	CAUSA	SOLUÇÃO
O queimador não acende.	A válvula de gás está fechada.	Abra a válvula de gás.
	O cilindro de gás está vazio.	Encha novamente a botija de gás ou ligue outra que esteja cheia.
	Há ar no sistema de alimentação.	Sangre o ar dos dutos.
	A conexão está solta.	Verifique todas as conexões.
O queimador não permanece aceso.	Existem detritos ao redor do queimador.	Limpe a área suja.
	A conexão está solta.	Verifique todas as conexões.
	O termopar não está funcionando.	Entre em contato com o atendimento ao cliente.
	Há um pequeno vazamento de gás.	Verifique todas as conexões.
	Falta de pressão de combustível.	O tanque de combustível está quase vazio.
O aquecedor não liga.	A pressão está baixa.	O tanque de combustível está quase vazio.
	O botão de controle não está ligado.	Gire o botão de controle para a posição ligado.
	O termopar quebrou.	Entre em contato com o atendimento ao cliente.
	O botão de controle está torto ou não está no local correto.	Entre em contato com o atendimento ao cliente.

# FRANÇAIS

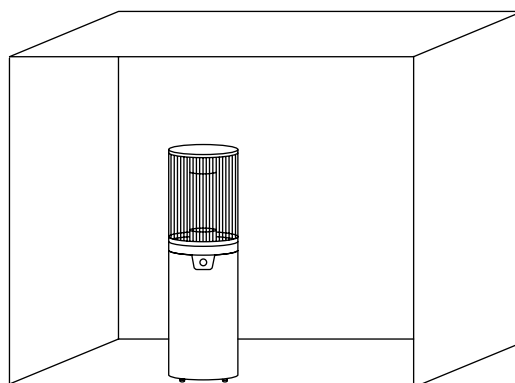
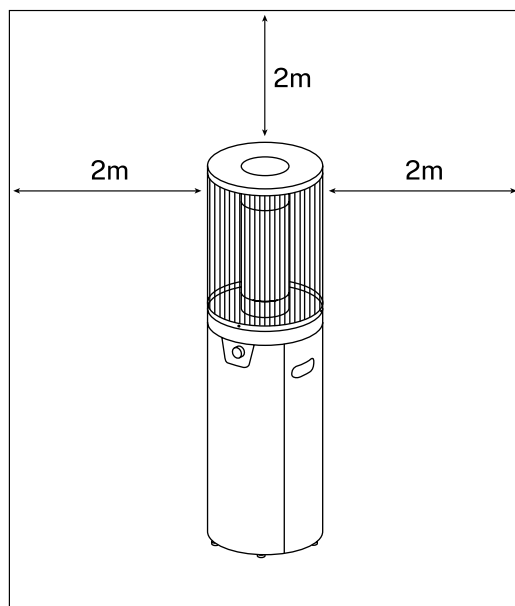
Merci beaucoup d'avoir choisi notre radiateur. Avant d'utiliser l'appareil, lisez attentivement les instructions pour son utilisation correcte.

Les précautions de sécurité incluses réduisent le risque de brûlures, de blessures et même de mort si elles sont strictement suivies. Veuillez conserver ce manuel dans un endroit sûr pour référence future, l'emballage d'origine du produit et la preuve d'achat. Si possible, transmettez ces instructions au prochain propriétaire du produit. Respectez toujours les précautions de sécurité de base et les règles de prévention des accidents lors de l'utilisation de l'appareil. Nous déclinons toute responsabilité découlant du non-respect de ces instructions par les clients.

## CONSIGNES DE SÉCURITÉ

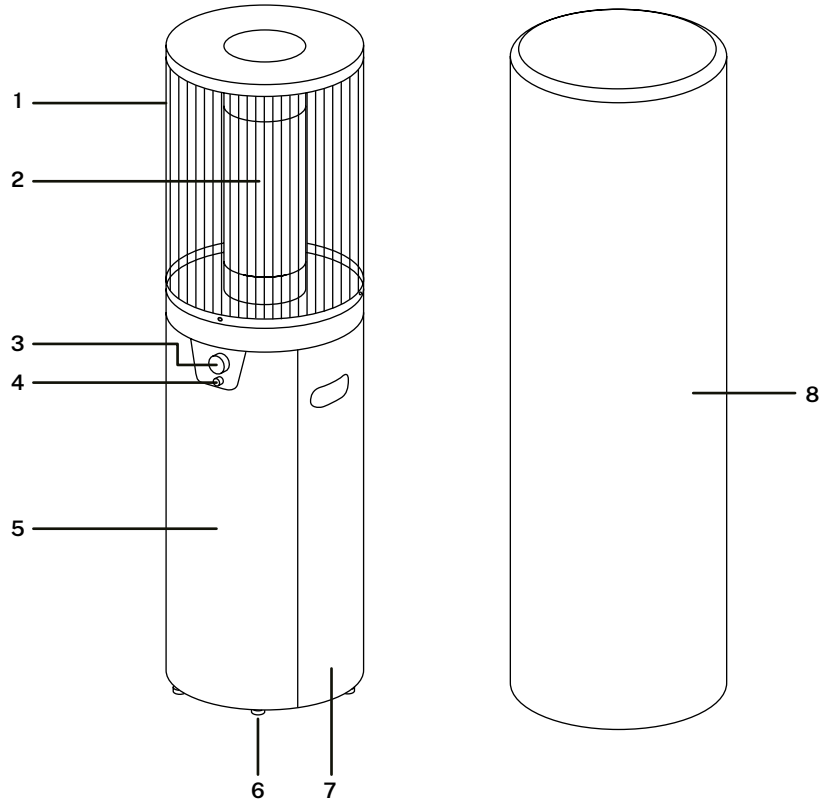
Avant d'utiliser ce produit, lisez attentivement les précautions de sécurité de base. Le non-respect de ces instructions peut affecter ou endommager l'appareil et d'autres objets et provoquer des blessures :

- Cet appareil n'est pas destiné à être utilisé à l'intérieur ou dans des lieux fermés, car cela pourrait être dangereux. Doit être utilisé uniquement à l'extérieur ou dans des zones largement ventilées. Une zone très ventilée doit avoir au moins 25 % de la surface ouverte.
- Ce radiateur n'est pas équipé d'un dispositif de détection atmosphérique. Ne pas utiliser dans des espaces fermés.
- La bouteille de gaz que vous allez utiliser doit être stockée conformément à la réglementation en vigueur.
- Utilisez uniquement le type de gaz et le type de bouteille spécifiés dans ces instructions.
- Ne bloquez pas les trous de ventilation dans le boîtier du cylindre.
- En cas de vent fort, une attention particulière doit être portée pour éviter que l'appareil ne tombe.
- Assurez-vous toujours que le radiateur est complètement froid avant de remettre le couvercle.
- Le tuyau de gaz doit être changé aux intervalles prescrits.
- Pour assembler l'appareil, utilisez tous et uniquement les composants fournis. Ne modifiez pas le radiateur ou ses pièces. Toute modification de l'appareil peut être dangereuse.
- Gardez l'appareil hors de portée des enfants et des animaux domestiques pendant et après utilisation. Les pièces du produit peuvent être très chaudes.
- Ne stockez pas et n'utilisez pas d'essence ou d'autres vapeurs ou liquides inflammables à proximité du radiateur.
- Coupez l'alimentation en gaz de la bouteille après utilisation. Fermez et débranchez toujours la bouteille d'alimentation en gaz principale après utilisation et pour le stockage.
- Fermez le robinet de la bouteille de gaz ou du régulateur avant de déplacer l'appareil. Ne déplacez jamais l'appareil lorsqu'il est en fonctionnement.
- Placez le radiateur sur une surface sûre et plane, loin des objets inflammables tels que des objets en bois ou des branches d'arbres en surplomb.
- Ne stockez jamais un radiateur à l'intérieur à moins qu'il ne soit complètement frais et que la bouteille d'alimentation en gaz ne soit débranchée.
- Les pièces scellées par le fabricant ne doivent pas être manipulées par l'utilisateur.
- Ce radiateur est principalement utilisé pour les patios extérieurs, les terrasses et les espaces de travail extérieurs.
- Respectez toujours les distances minimales de séparation entre l'appareil et les autres objets, 2 mètres au-dessus et de chaque côté.



## LISTE DES PIÈCES

1. Maille de protection
2. Cylindre en verre
3. Bouton de commande
4. Compartiment à piles
5. Porte magnétique
6. Jambes réglables
7. Corps principal
8. Housse de protection



## RACCORDEMENT BOUTEILLE DE GAZ

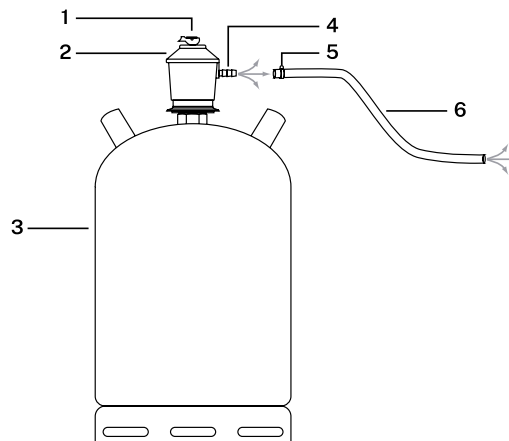
- Pour utiliser ce radiateur, vous aurez besoin d'une bouteille de gaz GPL standard (propane ou butane).
- Le tuyau doit être homologué CE et d'une longueur suffisante pour permettre une installation sans pliure (la longueur ne doit pas dépasser 0,7 m). Le tuyau doit être facilement visible sur toute sa longueur pour être inspecté après l'installation.
- Le régulateur de pression doit être pré-réglé et homologué CE, et la pression de fonctionnement doit être adaptée à la bouteille de gaz utilisée.
- Le régulateur de gaz doit être approuvé selon la norme EN 16129:2013 avec la capacité (g/h), la pression, la température de fonctionnement et le raccordement entrée + sortie appropriés au pays de destination.
- Le tuyau de gaz flexible en caoutchouc doit être approuvé selon la norme 16436-1:2014 avec un intérieur approprié pour correspondre aux supports de tuyaux du circuit de gaz et du régulateur de gaz, à la pression et à la température de service.
- Soyez particulièrement prudent avec le risque de fuite de gaz. Cela peut avoir des conséquences possibles telles que : des blessures graves ou des dommages matériels si le gaz qui s'échappe s'enflamme dans un environnement non contrôlé.

## MESURES DE SÉCURITÉ

- Lors du raccordement de la pompe à essence, assurez-vous qu'il n'y a aucune source d'inflammation dans un rayon d'au moins 5 m.
- Soyez particulièrement prudent de ne pas allumer de flammes nues, de fumer ou d'allumer des appareils électriques, cela pourrait provoquer d'éventuelles étincelles.
- Si nécessaire, assurez-vous que le tuyau n'est pas plié ou sujet à des torsions, si c'est le cas, remplacez-le.
- Ne bloquez pas les ouvertures venturi du compartiment cylindrique.

## ARTICLES

PARTIE	DESCRIPTION	FONCTION
1	Onglet Verrouiller/Déverrouiller	Bloque ou débloque le passage du gaz de la bouteille à l'appareil.
2	Régulateur	Garantit que le débit de l'alimentation vers l'appareil est constant et sûr.
3	Bouteille de gaz avec porte-bouteille	Conteneur de carburant.
4	Buse de régulateur	Permet au gaz de s'échapper du cylindre vers la buse.
5	Pince de sécurité	Ils permettent la connexion sécurisée du tube en caoutchouc à la buse du régulateur, garantissant l'étanchéité de l'installation.
6	Tube en caoutchouc flexible	Il permet au gaz de la bouteille de passer vers le brûleur.



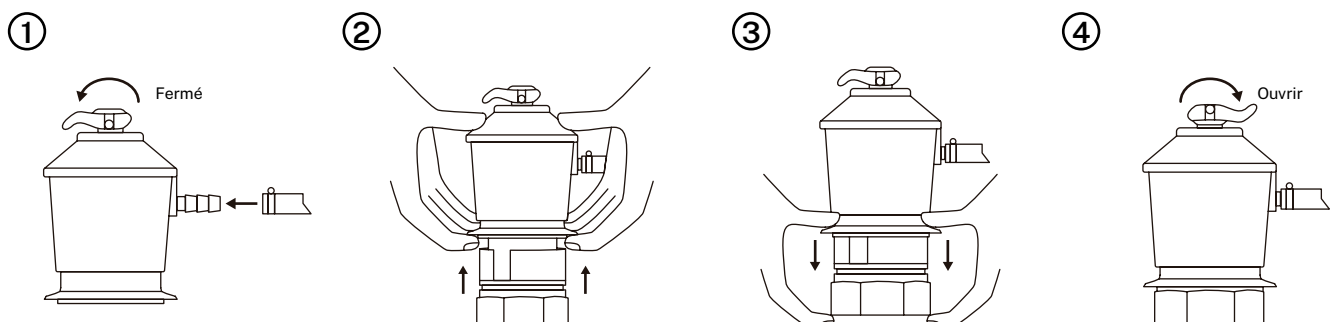
## RACCORDEMENT DU CYLINDRE

Cet appareil est conçu pour fonctionner avec un cylindre d'une taille maximale de Ø31,8 x 58 cm.

Avant de commencer à connecter le cylindre à l'appareil :

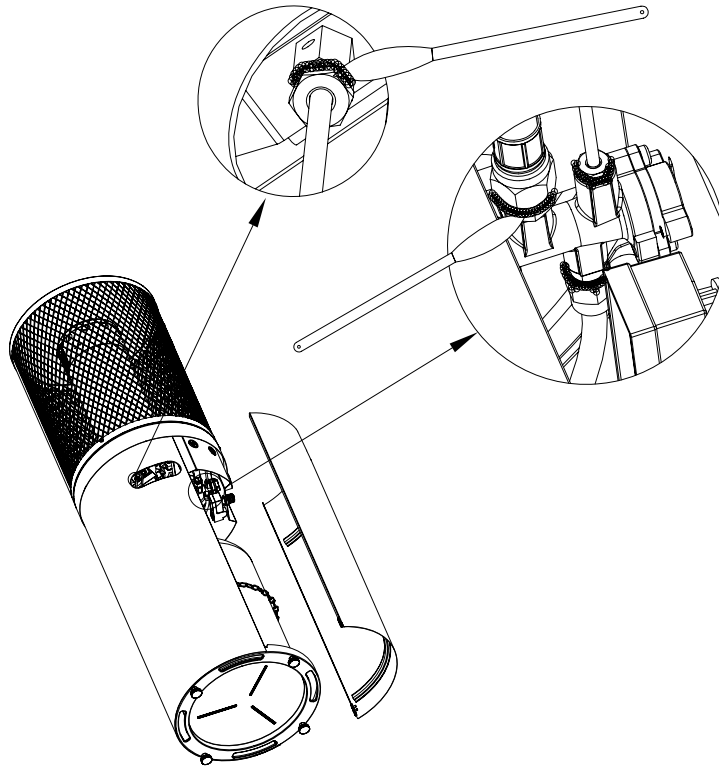
- Sélectionnez un emplacement approprié pour installer le radiateur. Assurez-vous qu'il n'y a pas de matériaux ou de substances inflammables à proximité.
- Placez la bouteille de gaz à côté du radiateur. Vérifiez que la bouteille de gaz et le régulateur sont en bon état de fonctionnement. Vérifiez également que le joint du régulateur est intact. N'utilisez aucun autre joint. Vérifiez qu'ils sont correctement connectés en tirant le régulateur vers le haut. Le régulateur ne doit pas être déconnecté de la valve de la bouteille.

1. Avant de connecter le détendeur au robinet de la bouteille, insérez le tube flexible dans l'embout du détendeur. Pour assurer un couplage optimal, utilisez un collier de fixation couramment vendu avec ce type de tube et adapté à ses dimensions. Le tube flexible utilisé doit être homologué. Assurez-vous que le tuyau flexible n'est pas tordu ou pincé.
2. Vérifier que toutes les clés de l'appareil sont fermées, que le flexible de raccordement au régulateur est correctement monté et que la languette de verrouillage/déverrouillage du régulateur est en position « fermée ». Sans qu'aucune flamme ne brûle, retirez le bouchon d'étanchéité de la vanne automatique. Tirez l'anneau vers le haut et placez le régulateur sur le robinet de la bouteille.
3. Poussez fermement l'anneau vers le bas. Vous entendrez un « clic », cela indique que le régulateur est correctement assemblé. Vous pouvez insérer le cylindre à l'intérieur du corps principal du radiateur.
4. Une fois le régulateur correctement monté sur le robinet de la bouteille, vous pouvez ouvrir l'alimentation en gaz en déplaçant la languette de verrouillage du régulateur dans le sens opposé à celui indiqué par la flèche.
5. Pour interrompre l'alimentation en gaz, procédez dans le sens inverse.



**Note:**

- Confirmez que le bouton de commande est en position « OFF ».
- Ouvrez le robinet de contrôle du gaz sur la bouteille. Vérifiez les fuites en faisant couler une solution savonneuse sur tous les joints du système de gaz, y compris tous les raccords de vannes, les raccords de tuyaux et les raccords de régulateur.
- N'utilisez jamais de flamme nue pour vérifier les fuites.
- Si des bulles se forment dans l'un des réservoirs, il y a une fuite. Si la connexion n'est pas scellée, fermez immédiatement le robinet de la bouteille et resserrez la connexion ou remplacez la pièce problématique. Répétez le test de fuite chaque année et chaque fois que vous réparez ou remplacez la bouteille de gaz.



## RETIRER LE CYLINDRE

1. Le remplacement doit toujours être effectué dans des endroits sûrs et en l'absence de flammes ou de sources d'inflammation. Lorsque l'appareil est en fonctionnement, n'essayez jamais de débrancher le régulateur de la bouteille de gaz.
2. Le régulateur est préparé de manière à ce qu'il ne soit pas possible de le retirer de la bouteille lorsque le gaz est ouvert. Par conséquent, vous devez vérifier que la clé de l'appareil est en position « fermée ». Et l'alimentation en gaz est en position verrouillée.
3. Démontez le régulateur en tirant verticalement sur la bague. Vérifiez toujours que la connexion du régulateur est en bon état. Rangez le régulateur avec le tuyau de gaz sous le barbecue. Assurez-vous que le tuyau n'est pas tordu ou plié de quelque manière que ce soit.
4. Rangez correctement la bouteille de gaz dans un endroit sûr.
  - Montez le robinet de la bouteille de gaz avec l'écrou borgne et le capuchon de sécurité.
  - Ne stockez pas la bouteille de gaz dans des zones situées en dessous du niveau du sol, ni dans des escaliers, des couloirs ou des zones où passent des piétons ou des véhicules.
  - Rangez toujours la bouteille de gaz à l'extérieur.
  - Placez toujours le cylindre à la verticale même lorsqu'il est vide.

## OPÉRATION

---

### ALLUMER LE CHAUFFAGE POUR LA PREMIÈRE FOIS

1. Insérez une pile AAA de 1,5 V avec la bonne polarité dans le compartiment à piles.
2. Assurez-vous que le bouton de commande est en position « OFF ».
3. Ouvrez le robinet de la bouteille de gaz.
4. Appuyez sur le bouton de commande et tournez-le sur la position « MIN/START ». Maintenez-le enfoncé pendant 30 secondes.
5. Lorsque le brûleur brûle de manière stable, tournez le bouton de commande entre MIN-MAX pour régler l'intensité souhaitée.

Si le brûleur ne s'allume pas, appuyez sur le bouton de commande et tournez-le dans le sens des aiguilles d'une montre jusqu'à la position « OFF ». Après 5 minutes, répétez l'allumage.

**Note:** Le brûleur peut être bruyant lors de la première mise en marche. Pour éliminer le bruit excessif du brûleur, tournez le bouton de commande sur la position « MIN ». Ensuite, tournez le bouton jusqu'au niveau de chaleur souhaité.

### CARACTÉRISTIQUES DE LA FLAMME

- Le modèle de flamme doit être vérifié visuellement chaque fois que le radiateur est en fonctionnement. Normalement, la flamme du brûleur est bleue, mais si elle a une petite flamme jaune, c'est acceptable.
- Si les flammes s'étendent au-delà de la surface de la grille ou si de la suie noire s'accumule sur la grille émettrice ou le réflecteur, le radiateur doit être éteint immédiatement et inspecté et/ou réparé.

### ALLUMEZ LE CHAUFFAGE

1. Insérez une pile AAA de 1,5 V avec la bonne polarité dans le compartiment à piles.
2. Assurez-vous que le bouton de commande est en position « OFF ».
3. Ouvrez le robinet de la bouteille de gaz.
4. Appuyez sur le bouton de commande et tournez-le sur « MIN/START ». Maintenez-le enfoncé pendant 30 secondes.
5. Lorsque le brûleur brûle de manière stable, tournez le bouton de commande entre « MIN-MAX » pour régler l'intensité souhaitée.

Si le brûleur ne s'allume pas, appuyez sur le bouton de commande et tournez-le dans le sens des aiguilles d'une montre jusqu'à la position « OFF ». Après 5 minutes, répétez l'allumage.

### ARRÊT DU CHAUFFAGE

1. Appuyez et tournez le bouton de commande dans le sens des aiguilles d'une montre jusqu'à la position « OFF ».
2. Tournez le robinet de la bouteille de gaz lorsque le radiateur n'est pas utilisé.

### RETOUR SUR

1. Tournez le bouton de commande sur la position « OFF ».
2. Attendez 5 minutes avant de tenter de rallumer le brûleur.
3. Répétez les étapes en commençant par l'étape 2 des instructions de mise sous tension ci-dessus.

### EN CAS DE FUITE DE GAZ

1. Tournez le bouton de commande sur la position « OFF ».
2. Tournez le robinet de la bouteille en position « OFF ».
3. Attendez 5 minutes pour permettre au gaz de se dissiper.
4. Si l'odeur persiste, contactez les autorités compétentes.

## NETTOYAGE ET ENTRETIEN

### NETTOYAGE

Pour profiter longtemps de votre appareil de chauffage avec d'excellentes performances, veillez à effectuer régulièrement les activités d'entretien suivantes :

- Gardez les surfaces extérieures propres.
- Utilisez de l'eau chaude savonneuse pour le nettoyage. N'utilisez jamais de produits de nettoyage inflammables ou corrosifs.
- Lors du lavage de l'appareil, assurez-vous de garder la zone autour du brûleur sèche à tout moment.
- Si le régulateur de gaz est exposé à l'eau de quelque manière que ce soit, n'essayez pas de l'utiliser. Celui-ci devra être remplacé.
- N'obstruez pas le flux d'air. Gardez les pièces du radiateur telles que le bouton, le brûleur et les conduits d'air de circulation propres. Les signes d'un éventuel blocage comprennent :
  - Odeur de gaz avec la couleur de la flamme vire au jaune.
  - L'appareil n'atteint pas la température souhaitée.
  - La luminosité de l'appareil est excessivement irrégulière.
  - L'appareil fait du bruit.
- Les araignées et les insectes nichent dans le brûleur ou dans les trous. Cette condition dangereuse peut endommager le radiateur et rendre son utilisation dangereuse.
- Nettoyez les orifices du brûleur avec un cure-pipe robuste. L'air comprimé peut aider à éliminer les petites particules.
- Les dépôts de carbone peuvent créer un risque d'incendie.
- Nettoyez le dôme du radiateur avec de l'eau tiède savonneuse si des dépôts de cendres se forment.
- Vérifiez la tubulure ou le tuyau (au moins une fois par mois et à chaque changement de flacon). S'il présente des signes de fissuration, de cassure ou autre détérioration, il doit être remplacé par un nouveau tube flexible de même longueur et de qualité équivalente.

### STOCKAGE

- Rangez l'appareil debout dans un endroit protégé du contact direct avec les éléments (pluie, grésil, grêle, neige, poussière et débris).
- Si vous le souhaitez, recouvrez l'appareil d'une housse spécifique pour protéger les surfaces extérieures et empêcher la poussière de pénétrer dans les conduits d'air.
- Débranchez la bouteille de gaz et déplacez-la dans un endroit sûr et bien ventilé à l'extérieur. Ne le stockez pas dans un endroit au-dessus de 50°C.
- Retirez toujours la pile AAA si elle ne doit pas être utilisée pendant une longue période, car cela pourrait provoquer de la corrosion dans le compartiment à piles.

### DÉPANNAGE

PROBLÈME	CAUSE	SOLUTION
Le brûleur ne s'allume pas.	Le robinet de gaz est fermé.	Ouvrez le robinet de gaz.
	La bouteille de gaz est vide.	Remplissez la bouteille de gaz ou connectez-en une autre pleine.
	Il y a de l'air dans le système d'alimentation.	Purger l'air des conduits.
	La connexion est lâche.	Vérifiez toutes les connexions.
Le brûleur ne reste pas allumé.	Il y a des débris autour du brûleur.	Nettoyez la zone sale.
	La connexion est lâche.	Vérifiez toutes les connexions.
	Le thermocouple ne fonctionne pas.	Contactez le service client.
	Il y a une petite fuite de gaz.	Vérifiez toutes les connexions.
	Manque de pression de carburant.	Le réservoir de carburant est presque vide.
Le chauffage ne s'allume pas.	La pression est faible.	Le réservoir de carburant est presque vide.
	Le bouton de commande n'est pas allumé.	Tournez le bouton de commande en position marche.
	Le thermocouple est cassé.	Contactez le service client.
	Le bouton de commande est plié ou n'est pas au bon endroit.	Contactez le service client.

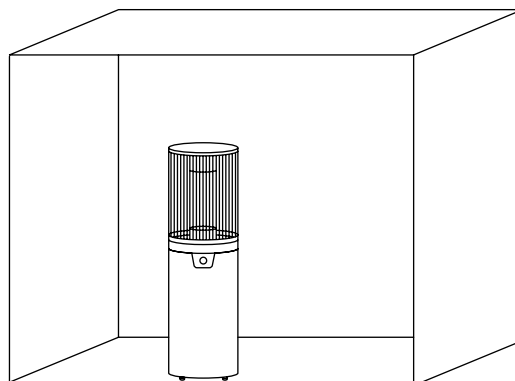
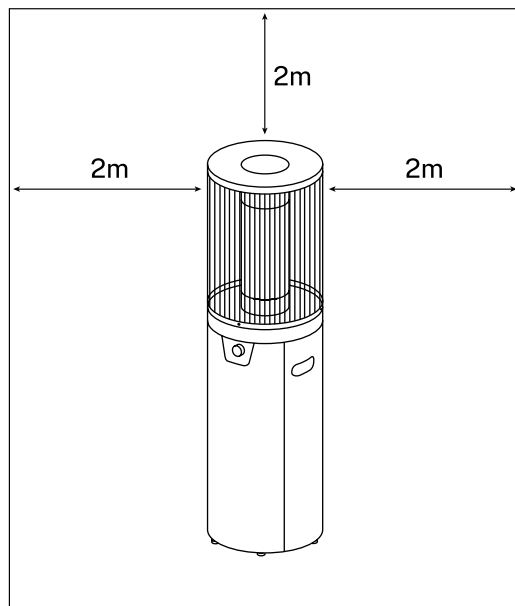
Grazie mille per aver scelto il nostro riscaldatore. Prima di utilizzare il dispositivo leggere attentamente le istruzioni per il suo corretto utilizzo.

Le precauzioni di sicurezza incluse riducono il rischio di ustioni, lesioni e persino di morte se seguite scrupolosamente. Si prega di conservare questo manuale in un luogo sicuro per riferimento futuro, la confezione originale del prodotto e la prova d'acquisto. Se possibile, trasmettere queste istruzioni al successivo proprietario del prodotto. Osservare sempre le precauzioni di sicurezza fondamentali e le norme antinfortunistiche durante l'utilizzo dell'apparecchio. Decliniamo ogni responsabilità derivante dal mancato rispetto di queste istruzioni da parte dei clienti.

## ISTRUZIONI DI SICUREZZA

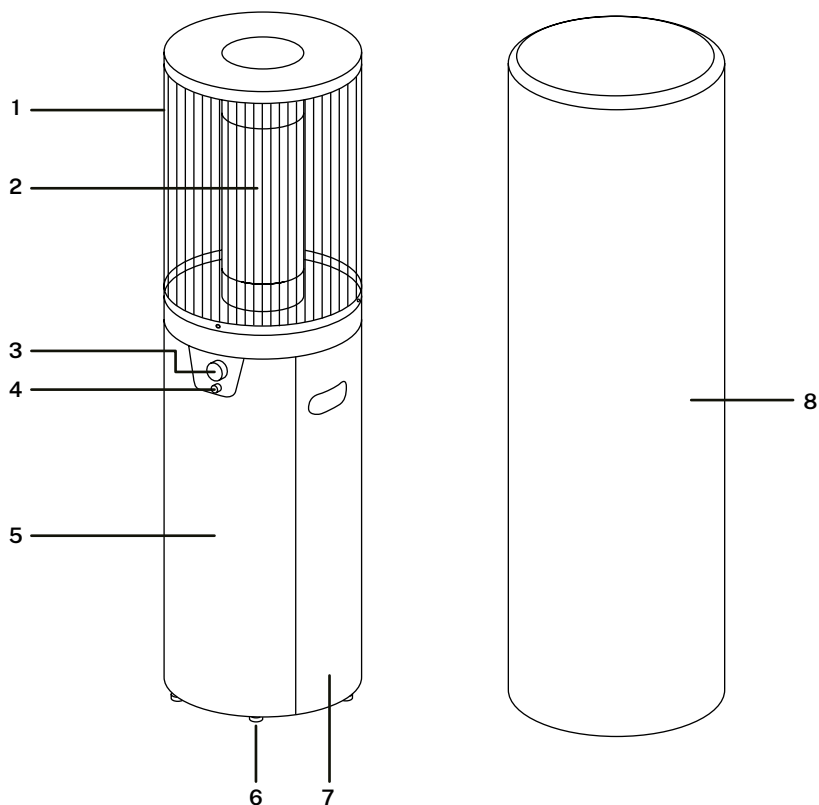
Prima di utilizzare questo prodotto, leggere attentamente le precauzioni di sicurezza di base, la mancata osservanza di queste istruzioni potrebbe influire o danneggiare l'apparecchio e altri oggetti e causare lesioni personali:

- Questo dispositivo non è destinato all'uso in interni o in luoghi chiusi poiché potrebbe essere pericoloso. Dovrebbe essere utilizzato solo all'aperto o in aree ampiamente ventilate. Un'area altamente ventilata dovrebbe avere almeno il 25% della superficie aperta.
- Questo riscaldatore non è dotato di un dispositivo di rilevamento atmosferico. Non utilizzare in spazi chiusi.
- La bombola del gas che utilizzerete deve essere conservata secondo le norme vigenti.
- Utilizzare solo il tipo di gas e il tipo di bombola specificati in queste istruzioni.
- Non ostruire i fori di ventilazione nell'alloggiamento del cilindro.
- In caso di forte vento occorre prestare particolare attenzione per evitare che il dispositivo possa cadere.
- Assicurarsi sempre che il riscaldatore sia completamente freddo prima di sostituire il coperchio.
- Il tubo del gas deve essere sostituito agli intervalli prescritti.
- Per assemblare il dispositivo utilizzare tutti e solo i componenti forniti. Non modificare il riscaldatore o le sue parti. Qualsiasi modifica al dispositivo può essere pericolosa.
- Tenere l'apparecchio fuori dalla portata dei bambini e degli animali domestici durante e dopo l'uso. Le parti del prodotto potrebbero essere molto calde.
- Non conservare o utilizzare benzina o altri vapori o liquidi infiammabili nelle vicinanze del riscaldatore.
- Chiudere l'alimentazione del gas alla bombola dopo l'uso. Chiudere e scollegare sempre la bombola principale di alimentazione del gas dopo l'uso e per la conservazione.
- Chiudere la valvola sulla bombola del gas o sul regolatore prima di spostare l'apparecchio. Non spostare mai l'apparecchio mentre è in funzione.
- Posizionare la stufa su una superficie sicura e piana, lontano da oggetti infiammabili come oggetti in legno o rami di alberi sporgenti.
- Non riporre mai la stufa in ambienti chiusi a meno che non sia completamente fredda e la bombola del gas sia scollegata.
- Le parti sigillate dal produttore non devono essere manipolate dall'utente.
- Questo riscaldatore viene utilizzato principalmente per cortili esterni, terrazze e aree di lavoro all'aperto.
- Rispettare sempre le distanze minime di separazione tra il dispositivo e altri oggetti, 2 metri sopra e su ciascun lato.



## ELENCO DELLE PARTI

1. Rete protettiva
2. Cilindro di vetro
3. Manopola di controllo
4. Vano batteria
5. Porta magnetica
6. Gambe regolabili
7. Corpo principale
8. Copertura protettiva



## COLLEGAMENTO DELLA BOMBOLA DEL GAS

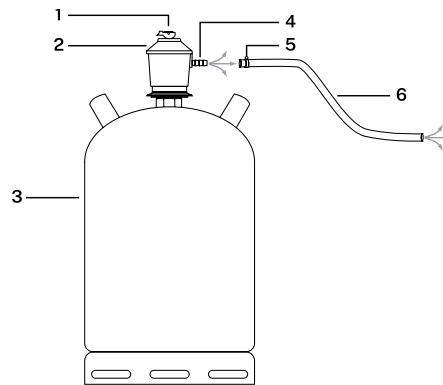
- Per utilizzare questo riscaldatore è necessaria una bombola di gas GPL standard (propano o butano).
- Il tubo deve essere omologato CE e di lunghezza sufficiente per consentire un'installazione senza attorcigliamenti (la lunghezza non deve superare 0,7 m). Il tubo deve essere facilmente visibile per tutta la sua lunghezza per l'ispezione dopo l'installazione.
- Il regolatore di pressione deve essere preimpostato e approvato CE e la pressione operativa deve essere adeguata alla bombola del gas utilizzata.
- Il regolatore del gas deve essere omologato secondo la norma EN 16129:2013 con capacità (g/h), pressione, temperatura di esercizio e collegamento ingresso + uscita adeguati al paese di destinazione.
- Il tubo flessibile del gas in gomma deve essere omologato secondo 16436-1:2014 con l'interno appropriato per adattarsi ai supporti del tubo del circuito del gas e del regolatore del gas, alla pressione e alla temperatura di esercizio.
- Prestare particolare attenzione al pericolo di perdite di gas. Ciò può avere possibili conseguenze come; Gravi lesioni personali o danni materiali se il gas fuoriuscito si accende in un ambiente non controllato.

## MISURE DI SICUREZZA

- Quando si collega la pompa del gas, assicurarsi che non vi siano fonti di accensione nel raggio di almeno 5 m.
- Prestare particolare attenzione a non accendere fiamme libere, fumare o accendere apparecchi elettrici, ciò potrebbe causare possibili scintille.
- Se necessario accertarsi che il tubo non sia piegato o soggetto a attorcigliamenti, nel caso sostituirlo.
- Non ostruire le aperture Venturi del vano cilindrico.

## ELEMENTI

PARTE	DESCRIZIONE	FUNZIONE
1	Blocca/Sblocca scheda	Blocca o sblocca il passaggio del gas dalla bombola al dispositivo.
2	Regolatore	Garantisce che il flusso dalla rete all'apparecchio sia costante e sicuro.
3	Bombola del gas con portabombola	Contenitore del carburante.
4	Ugello regolatore	Permette al gas di fuoriuscire dal cilindro all'ugello.
5	Morsetto di sicurezza	Permettono il collegamento sicuro del tubo di gomma all'ugello del regolatore, garantendo la tenuta dell'installazione.
6	Tubo flessibile in gomma	Permette il passaggio del gas dalla bombola al bruciatore.



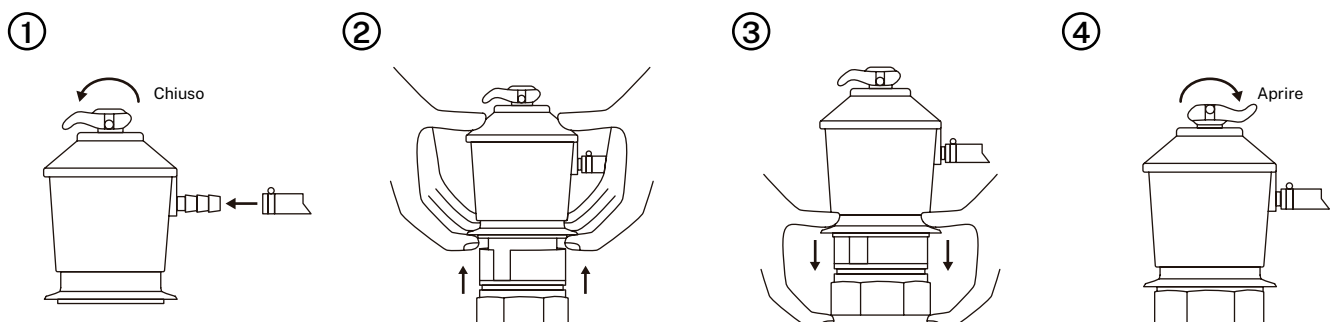
## COLLEGAMENTO DEL CILINDRO

Questo apparecchio è progettato per funzionare con una bombola di dimensioni massime di Ø31,8 x 58 cm.

Prima di iniziare a collegare la bombola al dispositivo:

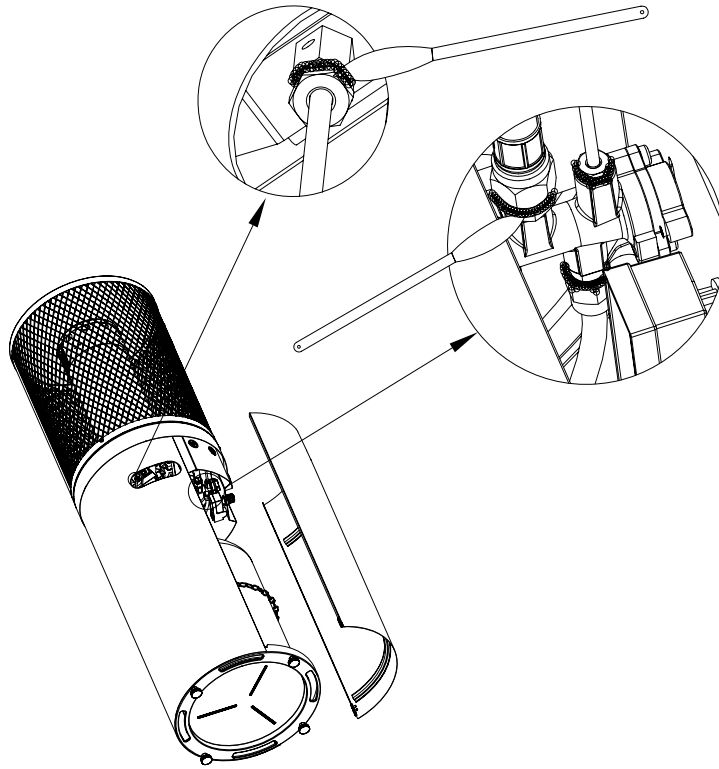
- Selezionare una posizione adatta per installare il riscaldatore. Assicurarsi che non vi siano materiali o sostanze infiammabili nelle vicinanze.
- Posizionare la bombola del gas accanto al riscaldatore. Controllare che la bombola del gas e il regolatore siano in buone condizioni. Controllare anche che il regolatore abbia la guarnizione intatta. Non utilizzare nessun altro sigillo. Verificare che siano collegati correttamente tirando il regolatore verso l'alto. Il regolatore non deve essere scollegato dalla valvola della bombola.

1. Prima di collegare il regolatore alla valvola della bombola, inserire il tubo flessibile nel boccaglio del regolatore. Per garantire un accoppiamento ottimale, utilizzare una fascetta di fissaggio comunemente venduta con questo tipo di tubo e adatta alle sue dimensioni. Il tubo flessibile utilizzato deve essere omologato. Assicurarsi che il tubo non sia attorcigliato o schiacciato.
2. Verificare che tutti i tasti del dispositivo siano chiusi, che il tubo flessibile di collegamento al regolatore sia montato correttamente e che la linguetta di blocco/sblocco del regolatore sia in posizione "chiuso". Senza alcuna fiamma accesa, rimuovere il tappo di chiusura dalla valvola automatica. Tirare l'anello verso l'alto e posizionare il regolatore sopra la valvola della bombola.
3. Spingere con decisione l'anello verso il basso. Si sentirà un "click", questo indica che il regolatore è correttamente assemblato. È possibile inserire la bombola all'interno del corpo principale della stufa.
4. Una volta montato correttamente il regolatore sulla valvola della bombola, è possibile aprire l'erogazione del gas spostando la linguetta di bloccaggio del regolatore nella direzione opposta a quella indicata dalla freccia.
5. Per interrompere l'erogazione del gas procedere nella direzione opposta.



**Nota:**

- Confermare che la manopola di controllo sia nella posizione "OFF".
- Aprire la valvola di controllo del gas sulla bombola. Verificare la presenza di perdite facendo scorrere una soluzione di sapone su tutti i giunti dell'impianto del gas, compresi tutti i collegamenti delle valvole, i collegamenti dei tubi flessibili e i collegamenti del regolatore.
- Non utilizzare mai una fiamma libera per verificare eventuali perdite.
- Se si formano bolle in uno qualsiasi dei serbatoi, c'è una perdita. Se la connessione non è sigillata, chiudere immediatamente la valvola della bottiglia e serrare la connessione o sostituire la parte problematica. Ripetere il test di tenuta ogni anno e ogni volta che si ripara o si sostituisce la bombola del gas.



## RIMUOVERE IL CILINDRO

1. La sostituzione deve essere sempre effettuata in luoghi sicuri e in assenza di fiamme o fonti di accensione. Quando l'apparecchio è in funzione, non tentare mai di scollegare il regolatore dalla bombola del gas.
2. Il regolatore è predisposto in modo che non sia possibile rimuoverlo dalla bombola quando si accende il gas. Pertanto è necessario verificare che la chiave del dispositivo sia in posizione "chiuso". E la fornitura di gas è in posizione di blocco.
3. Smontare il regolatore tirando verticalmente l'anello. Controllare sempre che il collegamento del regolatore sia in buone condizioni. Conservare il regolatore con il tubo del gas sotto il barbecue. Assicurarsi che il tubo non sia attorcigliato o piegato in alcun modo.
4. Conservare correttamente la bombola del gas in un luogo sicuro.
  - Montare la valvola della bombola del gas con il dado cieco e il tappo di sicurezza.
  - Non conservare la bombola del gas in aree sotto il livello del suolo, o in scale, corridoi o aree in cui transitano pedoni o veicoli.
  - Conservare sempre la bombola del gas all'esterno.
  - Posizionare sempre la bombola in posizione verticale anche quando è vuota.

## OPERAZIONE

---

### ACCENDERE IL RISCALDATORE PER LA PRIMA VOLTA

1. Inserire una batteria AAA da 1,5 V con la polarità corretta nel vano batteria.
2. Assicurarsi che la manopola di controllo sia in posizione "OFF".
3. Aprire la valvola sulla bombola del gas.
4. Premere la manopola di controllo e ruotarla sulla posizione "MIN/START". Tienilo premuto per 30 secondi.
5. Quando il bruciatore brucia in modo stabile, ruotare la manopola di controllo tra MIN-MAX per regolare l'intensità desiderata.

Se il bruciatore non si accende, premere la manopola di controllo e ruotarla in senso orario sulla posizione "OFF". Dopo 5 minuti ripetere l'accensione.

Nota: Il bruciatore potrebbe essere rumoroso alla prima accensione. Per eliminare il rumore eccessivo del bruciatore, ruotare la manopola di controllo sulla posizione "MIN". Successivamente, ruotare la manopola sul livello di calore desiderato.

### CARATTERISTICHE DELLA FIAMMA

- Il disegno della fiamma deve essere controllato visivamente ogni volta che il riscaldatore è in funzione. Normalmente la fiamma del bruciatore è blu, ma se ha una piccola fiamma gialla è accettabile.
- Se le fiamme si estendono oltre la superficie della griglia o si accumula fuliggine nera sulla griglia dell'emettitore o sul riflettore, il riscaldatore deve essere spento immediatamente e ispezionato e/o riparato.

### ACCENDI IL RISCALDAMENTO

1. Inserire una batteria AAA da 1,5 V con la polarità corretta nel vano batteria.
2. Assicurarsi che la manopola di controllo sia in posizione "OFF".
3. Aprire la valvola sulla bombola del gas.
4. Premere la manopola di controllo e ruotarla su "MIN/START". Tienilo premuto per 30 secondi.
5. Quando il bruciatore brucia in modo stabile, ruotare la manopola di controllo tra "MIN-MAX" per regolare l'intensità desiderata.

Se il bruciatore non si accende, premere la manopola di controllo e ruotarla in senso orario sulla posizione "OFF". Dopo 5 minuti ripetere l'accensione.

### SPEGNIMENTO DEL RISCALDATORE

1. Premere e ruotare la manopola di controllo in senso orario sulla posizione "OFF".
2. Ruotare la valvola della bombola del gas quando il riscaldatore non è in uso.

### RITORNO

1. Ruotare la manopola di controllo in posizione "OFF".
2. Attendere 5 minuti prima di tentare di riaccendere il bruciatore.
3. Ripetere i passaggi iniziando dal passaggio 2 delle istruzioni di accensione riportate sopra.

### IN CASO DI FUGA DI GAS

1. Ruotare la manopola di controllo in posizione "OFF".
2. Ruotare la valvola della bombola in posizione "OFF".
3. Attendere 5 minuti per consentire al gas di dissiparsi.
4. Se l'odore persiste, contattare le autorità competenti.

## PULIZIA E MANUTENZIONE

### PULIZIA

Per goderti a lungo il tuo riscaldatore con prestazioni eccellenti, assicurati di eseguire regolarmente le seguenti attività di manutenzione:

- Mantenere pulite le superfici esterne.
- Utilizzare acqua calda e sapone per la pulizia. Non utilizzare mai prodotti per la pulizia infiammabili o corrosivi.
- Durante il lavaggio dell'unità, assicurarsi di mantenere sempre asciutta l'area intorno al bruciatore.
- Se il controllo del gas viene in qualsiasi modo esposto all'acqua, non tentare di utilizzarlo. Questo dovrà essere sostituito.
- Non ostruire il flusso d'aria. Mantenere pulite le parti della stufa come la manopola, il bruciatore e i condotti di circolazione dell'aria. I segni di un possibile blocco includono:
  - Odore di gas con viraggio del colore della fiamma al giallo.
  - L'apparecchio non raggiunge la temperatura desiderata.
  - La luminosità del dispositivo è eccessivamente irregolare.
  - L'apparecchio emette rumori.
- Ragni e insetti nidificano nel bruciatore o nelle buche. Questa condizione pericolosa può danneggiare il riscaldatore e renderlo pericoloso per l'uso.
- Pulire gli orifizi del bruciatore con uno scovolino per uso intensivo. L'aria compressa può aiutare a rimuovere piccole particelle.
- I depositi di carbonio possono creare pericolo di incendio.
- Pulire la cupola del riscaldatore con acqua calda e sapone se si formano depositi di cenere.
- Controllare il tubo o il tubo flessibile (almeno una volta al mese e ogni volta che si cambia la bottiglia). Se presenta segni di fessurazione, rottura o altro deterioramento, deve essere sostituito con un nuovo tubo flessibile della stessa lunghezza e di qualità equivalente.

### MAGAZZINAGGIO

- Riporre l'apparecchio in posizione verticale, in un luogo protetto dal contatto diretto con gli agenti atmosferici (pioggia, nevischio, grandine, neve, polvere e detriti).
- Se lo si desidera, coprire l'apparecchio con una copertura specifica per proteggere le superfici esterne ed evitare l'ingresso di polvere nei condotti dell'aria.
- Scollegare la bombola del gas e spostarla in un luogo sicuro e ben ventilato all'aperto. Non conservarlo in un luogo con temperatura superiore a 50°C.
- Rimuovere sempre la batteria AAA se non verrà utilizzata per un lungo periodo, poiché potrebbe causare corrosione nel vano batteria.

## RISOLUZIONE DEI PROBLEMI

PROBLEMA	CAUSA	SOLUZIONE
Il bruciatore non si accende.	La valvola del gas è chiusa.	Aprire la valvola del gas.
	La bombola del gas è vuota.	Riempire la bombola del gas o collegarne un'altra piena.
	C'è aria nel sistema di alimentazione.	Spurgare l'aria dai condotti.
	La connessione è allentata.	Controlla tutte le connessioni.
Il bruciatore non rimane acceso.	Sono presenti detriti attorno al bruciatore.	Pulisci l'area sporca.
	La connessione è allentata.	Controlla tutte le connessioni.
	La termocoppia non funziona.	Contatta il servizio clienti.
	C'è una piccola perdita di gas.	Controlla tutte le connessioni.
	Mancanza di pressione del carburante.	Il serbatoio del carburante è quasi vuoto.
Il riscaldatore non si accende.	La pressione è bassa.	Il serbatoio del carburante è quasi vuoto.
	La manopola di controllo non è accesa.	Ruotare la manopola di controllo in posizione on.
	La termocoppia si è rotta.	Contatta il servizio clienti.
	La manopola di controllo è piegata o non è nella posizione corretta.	Contatta il servizio clienti.

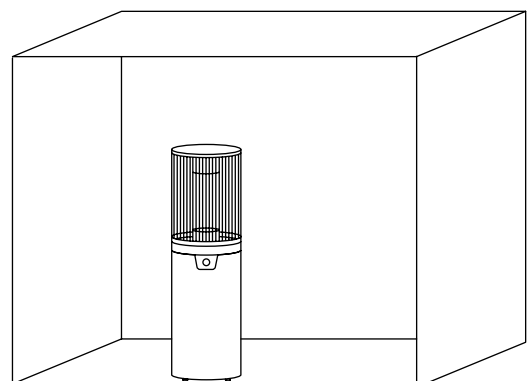
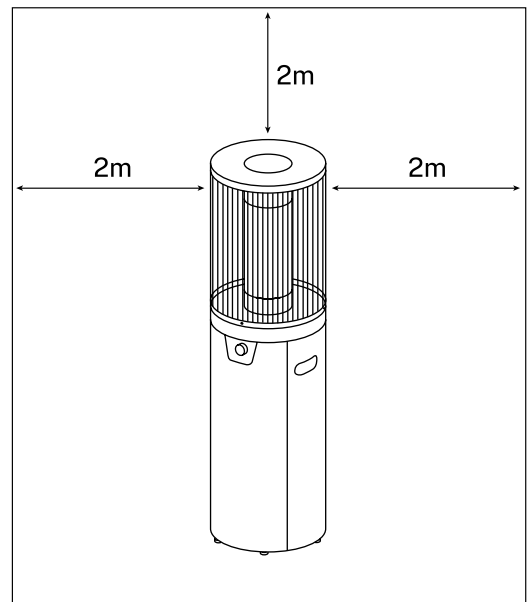
Vielen Dank, dass Sie sich für unsere Heizung entschieden haben. Lesen Sie vor der Verwendung des Geräts die Anweisungen zur korrekten Verwendung sorgfältig durch.

Die enthaltenen Sicherheitsvorkehrungen verringern das Risiko von Verbrennungen, Verletzungen und sogar dem Tod, wenn sie strikt befolgt werden. Bitte bewahren Sie dieses Handbuch, die Originalverpackung des Produkts und den Kaufbeleg zum späteren Nachschlagen an einem sicheren Ort auf. Geben Sie diese Anleitung nach Möglichkeit an den Nachbesitzer des Produkts weiter. Beachten Sie beim Gebrauch des Gerätes stets die grundlegenden Sicherheitsvorkehrungen und Unfallverhütungsvorschriften. Wir lehnen jegliche Haftung ab, die sich aus der Nichtbeachtung dieser Anweisungen durch Kunden ergibt.

## SICHERHEITSHINWEISE

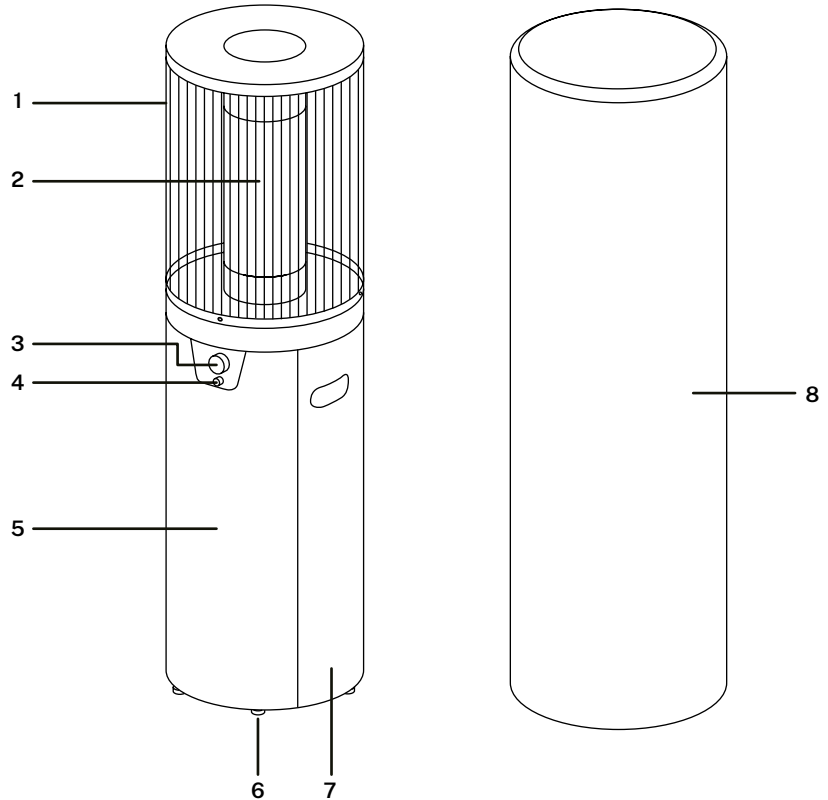
Lesen Sie vor der Verwendung dieses Produkts sorgfältig die grundlegenden Sicherheitsvorkehrungen durch. Die Nichtbeachtung dieser Anweisungen kann Auswirkungen auf das Gerät und andere Gegenstände haben oder diese beschädigen und zu Verletzungen führen:

- Dieses Gerät ist nicht für die Verwendung in Innenräumen oder geschlossenen Räumen vorgesehen, da dies gefährlich sein könnte. Sollte nur im Freien oder in gut belüfteten Bereichen verwendet werden. In einem gut belüfteten Bereich sollten mindestens 25 % der Oberfläche offen sein.
- Dieses Heizgerät ist nicht mit einem Gerät zur Atmosphärenerkennung ausgestattet. Nicht in geschlossenen Räumen verwenden.
- Die von Ihnen verwendete Gasflasche muss gemäß den geltenden Vorschriften gelagert werden.
- Verwenden Sie nur die in dieser Anleitung angegebene Gasart und Flaschenart.
- Blockieren Sie nicht die Belüftungslöcher im Zylindergehäuse.
- Bei starkem Wind muss besonders darauf geachtet werden, dass das Gerät nicht herunterfällt.
- Stellen Sie immer sicher, dass das Heizgerät vollständig abgekühlt ist, bevor Sie die Abdeckung wieder anbringen.
- Der Gasschlauch muss in den vorgeschriebenen Abständen gewechselt werden.
- Benutzen Sie für den Zusammenbau des Gerätes ausschließlich die mitgelieferten Komponenten. Verändern Sie das Heizgerät oder seine Teile nicht. Jede Veränderung am Gerät kann gefährlich sein.
- Bewahren Sie das Gerät während und nach dem Gebrauch außerhalb der Reichweite von Kindern und Haustieren auf. Produktteile können sehr heiß sein.
- Lagern oder verwenden Sie kein Benzin oder andere brennbare Dämpfe oder Flüssigkeiten in der Nähe des Heizgeräts.
- Schalten Sie nach Gebrauch die Gaszufuhr zur Flasche ab. Schließen Sie die Hauptgasflasche nach Gebrauch und zur Lagerung immer und trennen Sie sie von der Hauptgasflasche.
- Schließen Sie das Ventil an der Gasflasche oder am Regler, bevor Sie das Gerät bewegen. Bewegen Sie das Gerät niemals, während es in Betrieb ist.
- Stellen Sie das Heizgerät auf eine sichere, ebene Fläche, entfernt von brennbaren Gegenständen wie Holzgegenständen oder überhängenden Ästen.
- Bewahren Sie ein Heizgerät niemals im Innenbereich auf, es sei denn, es ist vollständig abgekühlt und die Gasversorgungsflasche ist nicht angeschlossen.
- Vom Hersteller versiegelte Teile dürfen vom Anwender nicht manipuliert werden.
- Diese Heizung wird hauptsächlich für Außenterrassen, Terrassen und Arbeitsbereiche im Freien verwendet.
- Beachten Sie immer den Mindestabstand zwischen dem Gerät und anderen Objekten, 2 Meter über und auf jeder Seite.



## TEILELISTE

1. Schutznetz
2. Glaszylinder
3. Bedienknopf
4. Batteriefach
5. Magnetische Tür
6. Verstellbare Beine
7. Hauptteil
8. Schutzhülle



## GASFLASCHENANSCHLUSS

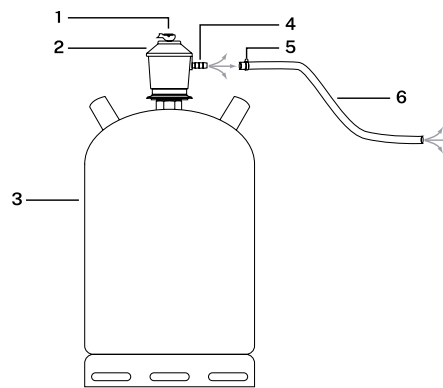
- Um dieses Heizgerät verwenden zu können, benötigen Sie eine Standard-LPG-Gasflasche (Propan oder Butan).
- Der Schlauch muss CE-geprüft und ausreichend lang sein, um eine knickfreie Installation zu ermöglichen (die Länge darf 0,7 m nicht überschreiten). Der Schlauch muss auf seiner gesamten Länge für eine Inspektion nach der Installation gut sichtbar sein.
- Der Druckregler muss voreingestellt und CE-geprüft sein und der Betriebsdruck muss für die verwendete Gasflasche geeignet sein.
- Der Gasregler muss gemäß EN 16129:2013 zugelassen sein und über Kapazität (g/h), Druck, Betriebstemperatur und Einlass- und Auslassanschluss verfügen, die für das Bestimmungsland geeignet sind.
- Das flexible Gummi-Gasrohr muss nach 16436-1:2014 zugelassen sein und über eine entsprechende Innenausstattung verfügen, damit es zu den Rohrhalterungen des Gaskreislaufs und des Gasreglers, dem Arbeitsdruck und der Temperatur passt.
- Seien Sie besonders vorsichtig mit der Gefahr von Gaslecks. Dies kann mögliche Konsequenzen haben wie: Schwere Personen- oder Sachschäden, wenn sich austretendes Gas in einer unkontrollierten Umgebung entzündet.

## SICHERHEITSMASSNAHMEN

- Achten Sie beim Anschluss der Zapfsäule darauf, dass sich im Umkreis von mindestens 5 m keine Zündquellen befinden.
- Achten Sie besonders darauf, kein offenes Feuer anzuzünden, zu rauchen oder Elektrogeräte einzuschalten, da dies zu Funkenbildung führen kann.
- Stellen Sie bei Bedarf sicher, dass der Schlauch nicht geknickt ist oder knickt. Wenn ja, ersetzen Sie ihn.
- Blockieren Sie nicht die Venturi-Öffnungen des zylindrischen Fachs.

## ARTIKEL

TEIL	BESCHREIBUNG	FUNKTION
1	Registerkarte „Sperren/Entsperren“.	Blockiert oder gibt den Gasdurchgang von der Flasche zum Gerät frei.
2	Regler	Stellt sicher, dass der Durchfluss von der Versorgung zum Gerät konstant und sicher ist.
3	Gasflasche mit Flaschenhalter	Kraftstoffbehälter.
4	Reglerdüse	Ermöglicht das Entweichen von Gas aus der Flasche zur Düse.
5	Sicherheitsklemme	Sie ermöglichen die sichere Verbindung des Gummischlauchs mit der Reglerdüse und gewährleisten so die Dichtheit der Installation.
6	Flexibler Gummischlauch	Dadurch kann das Gas aus der Flasche zum Brenner gelangen.



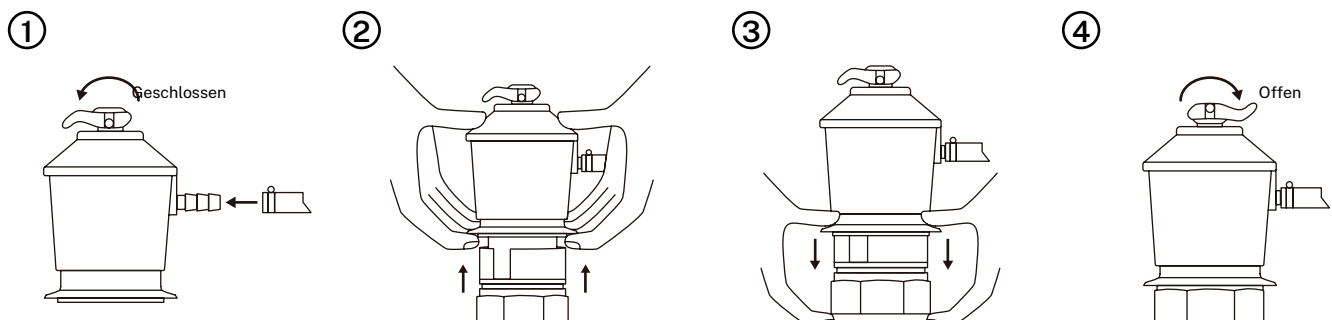
## FLASCHENANSCHLUSS

Dieses Gerät ist für den Betrieb mit einem Zylinder mit einer maximalen Größe von Ø31,8 x 58 cm ausgelegt.

Bevor Sie mit dem Anschluss der Flasche an das Gerät beginnen:

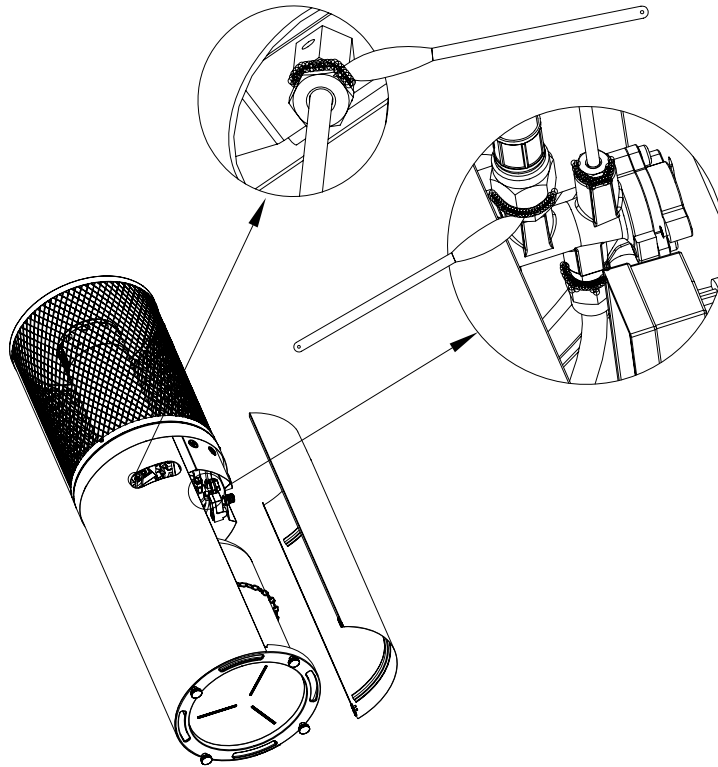
- Wählen Sie eine geeignete Position für die Installation des Heizgeräts. Stellen Sie sicher, dass sich keine brennbaren Materialien oder Substanzen in der Nähe befinden.
- Stellen Sie die Gasflasche neben die Heizung. Überprüfen Sie, ob die Gasflasche und der Regler in gutem Zustand sind. Überprüfen Sie außerdem, ob die Dichtung des Reglers intakt ist. Verwenden Sie keine andere Dichtung. Überprüfen Sie, ob sie richtig angeschlossen sind, indem Sie den Regler nach oben ziehen. Der Atemregler darf nicht vom Flaschenventil getrennt werden.

1. Bevor Sie den Atemregler an das Flaschenventil anschließen, stecken Sie den flexiblen Schlauch in das Mundstück des Atemreglers. Um eine optimale Verbindung zu gewährleisten, verwenden Sie eine Befestigungsschelle, die üblicherweise mit diesem Rohrtyp verkauft wird und für dessen Abmessungen geeignet ist. Der verwendete flexible Schlauch muss zugelassen sein. Stellen Sie sicher, dass der flexible Schlauch nicht verdreht oder eingeklemmt ist.
2. Überprüfen Sie, ob alle Tasten des Geräts geschlossen sind, der flexible Schlauch, der mit dem Regler verbunden ist, korrekt montiert ist und sich die Verriegelungs-/Entriegelungslasche des Reglers in der „geschlossenen“ Position befindet. Entfernen Sie den Verschlussstopfen vom Automatikventil, ohne dass eine Flamme brennt. Ziehen Sie den Ring nach oben und platzieren Sie den Atemregler über dem Flaschenventil.
3. Drücken Sie den Ring fest nach unten. Sie hören ein „Klicken“, das zeigt an, dass der Regler richtig zusammengebaut ist. Sie können den Zylinder in das Hauptgehäuse des Heizgeräts einsetzen.
4. Sobald der Regler ordnungsgemäß am Flaschenventil montiert ist, können Sie die Gaszufuhr einschalten, indem Sie die Verriegelungslasche am Regler in die entgegengesetzte Richtung wie durch den Pfeil angezeigt bewegen.
5. Um die Gaszufuhr zu unterbrechen, gehen Sie in umgekehrter Richtung vor.



#### Notiz:

- Stellen Sie sicher, dass sich der Bedienknopf in der Position „OFF“ befindet.
- Öffnen Sie das Gasregelventil an der Flasche. Überprüfen Sie, ob Lecks vorhanden sind, indem Sie eine Seifenlösung über alle Verbindungen im Gassystem laufen lassen, einschließlich aller Ventilanschlüsse, Schlauchanschlüsse und Regleranschlüsse.
- Verwenden Sie niemals eine offene Flamme, um auf Lecks zu prüfen.
- Wenn sich in einem der Tanks Blasen bilden, liegt ein Leak vor. Wenn die Verbindung nicht dicht ist, schließen Sie sofort das Flaschenventil und ziehen Sie die Verbindung fest oder tauschen Sie das Problemteil aus. Wiederholen Sie die Dichtheitsprüfung jährlich und immer dann, wenn Sie die Gasflasche reparieren oder austauschen.



#### ENTFERNEN SIE DEN ZYLINDER

1. Der Austausch muss immer an sicheren Orten und ohne Flammen oder Zündquellen erfolgen. Versuchen Sie niemals, den Regler von der Gasflasche zu trennen, während das Gerät in Betrieb ist.
2. Der Regler ist so vorbereitet, dass er bei eingeschaltetem Gas nicht aus der Flasche entfernt werden kann. Daher müssen Sie überprüfen, ob sich der Geräteschlüssel in der „geschlossenen“ Position befindet. Und die Gasversorgung ist in der Sperposition.
3. Zerlegen Sie den Regler, indem Sie vertikal am Ring ziehen. Überprüfen Sie immer, ob der Regleranschluss in gutem Zustand ist. Bewahren Sie den Regler mit dem Gasschlauch unter dem Grill auf. Stellen Sie sicher, dass der Schlauch nicht verdreht oder geknickt ist.
4. Bewahren Sie die Gasflasche ordnungsgemäß an einem sicheren Ort auf.
  - Montieren Sie das Gasflaschenventil mit der Überwurfmutter und der Sicherheitskappe.
  - Lagern Sie die Gasflasche nicht in Bereichen unter der Erde, auf Treppen, in Fluren oder in Bereichen, an denen Fußgänger oder Fahrzeuge vorbeikommen.
  - Bewahren Sie die Gasflasche immer im Freien auf.
  - Stellen Sie die Flasche auch im leeren Zustand immer aufrecht auf.

## BETRIEB

---

### SCHALTEN SIE DIE HEIZUNG ZUM ERSTEN MAL EIN

1. Legen Sie eine 1,5 V AAA-Batterie mit der richtigen Polarität in das Batteriefach ein.
2. Stellen Sie sicher, dass sich der Bedienknopf in der Position „OFF“ befindet.
3. Öffnen Sie das Ventil an der Gasflasche.
4. Drücken Sie den Bedienknopf und drehen Sie ihn in die Position „MIN/START“. Halten Sie die Taste 30 Sekunden lang gedrückt.
5. Wenn der Brenner stabil brennt, drehen Sie den Bedienknopf zwischen MIN und MAX, um die gewünschte Intensität einzustellen.

Wenn der Brenner nicht zündet, drücken Sie den Bedienknopf und drehen Sie ihn im Uhrzeigersinn in die Position „OFF“. Wiederholen Sie nach 5 Minuten den Zündvorgang.

**Notiz:** Der Brenner kann beim ersten Einschalten laut sein. Um übermäßige Brennergeräusche zu vermeiden, drehen Sie den Bedienknopf auf die Position „MIN“. Als nächstes drehen Sie den Knopf auf die gewünschte Hitzestufe.

### FLAMMENEIGENSCHAFTEN

- Das Flammenbild sollte bei jedem Betrieb des Heizgeräts visuell überprüft werden. Normalerweise ist die Brennerflamme blau, aber eine kleine gelbe Flamme ist akzeptabel.
- Wenn Flammen über die Gitteroberfläche hinausreichen oder sich schwarzer Ruß auf dem Strahlergitter oder Reflektor ansammelt, sollte das Heizgerät sofort ausgeschaltet und überprüft und/oder repariert werden.

### SCHALTEN SIE DIE HEIZUNG EIN

1. Legen Sie eine 1,5 V AAA-Batterie mit der richtigen Polarität in das Batteriefach ein.
2. Stellen Sie sicher, dass sich der Bedienknopf in der Position „OFF“ befindet.
3. Öffnen Sie das Ventil an der Gasflasche.
4. Drücken Sie den Bedienknopf und drehen Sie ihn auf „MIN/START“. Halten Sie die Taste 30 Sekunden lang gedrückt.
5. Wenn der Brenner stabil brennt, drehen Sie den Bedienknopf zwischen „MIN-MAX“, um die gewünschte Intensität einzustellen.

Wenn der Brenner nicht zündet, drücken Sie den Bedienknopf und drehen Sie ihn im Uhrzeigersinn in die Position „OFF“. Wiederholen Sie nach 5 Minuten den Zündvorgang.

### ABSCHALTUNG DER HEIZUNG

1. Drücken Sie den Bedienknopf und drehen Sie ihn im Uhrzeigersinn in die Position „OFF“.
2. Drehen Sie das Gasflaschenventil, wenn das Heizgerät nicht verwendet wird.

### ZURÜCK EIN

1. Drehen Sie den Bedienknopf auf die Position „OFF“.
2. Warten Sie 5 Minuten, bevor Sie versuchen, den Brenner erneut anzuzünden.
3. Wiederholen Sie die Schritte ab Schritt 2 der Einschaltanweisungen oben.

### IM FALLE EINES GASLECKS

1. Drehen Sie den Bedienknopf auf die Position „OFF“.
2. Drehen Sie das Flaschenventil in die Position „OFF“.
3. Warten Sie 5 Minuten, damit sich das Gas verflüchtigen kann.
4. Wenn der Geruch weiterhin besteht, wenden Sie sich an die zuständigen Behörden.

## REINIGUNG UND WARTUNG

### REINIGUNG

Damit Sie lange Freude an Ihrem Heizgerät mit hervorragender Leistung haben, sollten Sie die folgenden Wartungsarbeiten regelmäßig durchführen:

- Außenflächen sauber halten.
- Verwenden Sie zum Reinigen warmes Seifenwasser. Verwenden Sie niemals brennbare oder ätzende Reinigungsmittel.
- Achten Sie beim Waschen des Geräts darauf, dass der Bereich um den Brenner stets trocken bleibt.
- Versuchen Sie nicht, den Gasregler zu verwenden, wenn er in irgendeiner Weise Wasser ausgesetzt ist. Dies muss ersetzt werden.
- Den Luftstrom nicht behindern. Halten Sie Teile des Heizgeräts wie Drehknopf, Brenner und Umluftkanäle sauber. Anzeichen einer möglichen Verstopfung sind unter anderem:
  - Gasgeruch mit Veränderung der Flammenfarbe zu Gelb.
  - Das Gerät erreicht nicht die gewünschte Temperatur.
  - Die Helligkeit des Geräts ist übermäßig unregelmäßig.
  - Das Gerät macht Geräusche.
- Spinnen und Insekten nisten im Brenner oder in den Löchern. Dieser gefährliche Zustand kann das Heizgerät beschädigen und seine Verwendung unsicher machen.
- Reinigen Sie die Brenneröffnungen mit einem Hochleistungs-Pfeifenreiniger. Druckluft kann helfen, kleine Partikel zu entfernen.
- Kohlenstoffablagerungen können eine Brandgefahr darstellen.
- Reinigen Sie den Heizdom mit warmem Seifenwasser, falls sich Ascheablagerungen bilden.
- Überprüfen Sie den Schlauch oder Schlauch (mindestens einmal im Monat und bei jedem Flaschenwechsel). Wenn es Anzeichen von Rissen, Brüchen oder anderen Beschädigungen aufweist, muss es durch einen neuen flexiblen Schlauch gleicher Länge und gleicher Qualität ersetzt werden.

### LAGERUNG

- Bewahren Sie das Gerät aufrecht an einem Ort auf, der vor direktem Kontakt mit Witterungseinflüssen (Regen, Graupel, Hagel, Schnee, Staub und Schmutz) geschützt ist.
- Decken Sie das Gerät bei Bedarf mit einer speziellen Abdeckung ab, um die Außenflächen zu schützen und das Eindringen von Staub in die Luftkanäle zu verhindern.
- Trennen Sie die Gasflasche und stellen Sie sie an einen sicheren, gut belüfteten Ort im Freien. Lagern Sie es nicht an einem Ort über 50 °C.
- Entfernen Sie immer die AAA-Batterie, wenn Sie sie längere Zeit nicht verwenden, da es zu Korrosion im Batteriefach kommen kann.

## FEHLERBEHEBUNG

PROBLEM	URSACHE	LÖSUNG
Der Brenner zündet nicht.	Der Gashahn ist geschlossen.	Öffnen Sie den Gashahn.
	Die Gasflasche ist leer.	Füllen Sie die Gasflasche wieder auf oder schließen Sie eine andere volle an.
	Im Zuführsystem befindet sich Luft.	Entlüften Sie die Kanäle.
	Die Verbindung ist locker.	Überprüfen Sie alle Verbindungen.
Der Brenner bleibt nicht eingeschaltet.	Um den Brenner herum befinden sich Ablagerungen.	Reinigen Sie den verschmutzten Bereich.
	Die Verbindung ist locker.	Überprüfen Sie alle Verbindungen.
	Das Thermoelement funktioniert nicht.	Kontaktieren Sie den Kundendienst.
	Es gibt ein kleines Gasleck.	Überprüfen Sie alle Verbindungen.
	Fehlender Kraftstoffdruck.	Der Kraftstofftank ist fast leer.
Die Heizung schaltet sich nicht ein.	Der Druck ist gering.	Der Kraftstofftank ist fast leer.
	Der Bedienknopf ist nicht eingeschaltet.	Drehen Sie den Bedienknopf in die Ein-Position.
	Das Thermoelement ist kaputt.	Kontaktieren Sie den Kundendienst.
	Der Bedienknopf ist verbogen oder befindet sich nicht an der richtigen Stelle.	Kontaktieren Sie den Kundendienst.

# NEDERLANDS

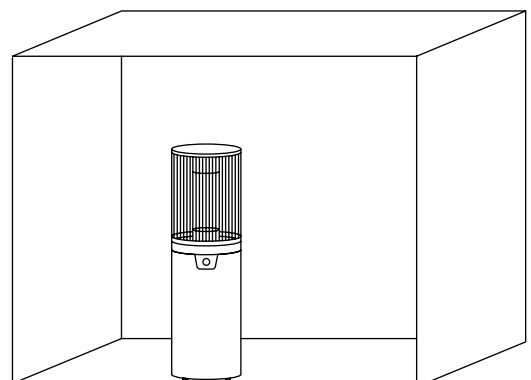
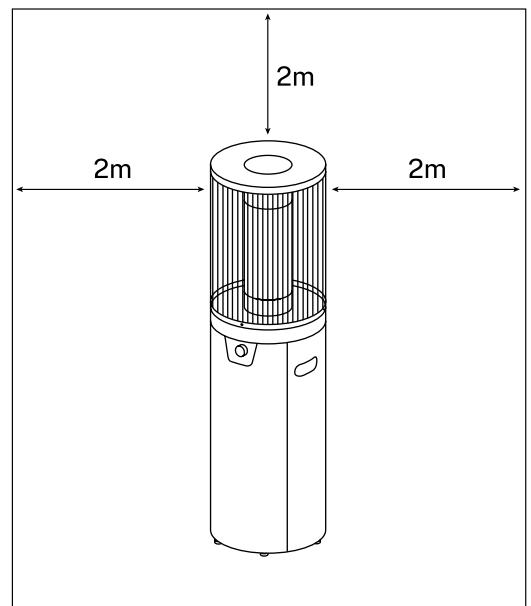
Hartelijk dank voor het kiezen van onze verwarming. Lees zorgvuldig de instructies voor het juiste gebruik voordat u het apparaat gebruikt.

De meegeleverde veiligheidsmaatregelen verminderen het risico op brandwonden, verwondingen en zelfs de dood als ze strikt worden nageleefd. Bewaar deze handleiding op een veilige plaats voor toekomstig gebruik, evenals de originele productverpakking en het aankoopbewijs. Geef deze instructies indien mogelijk door aan de volgende eigenaar van het product. Neem altijd de basisveiligheidsvoorschriften en de regels ter voorkoming van ongevallen in acht wanneer u het apparaat gebruikt. Wij wijzen alle aansprakelijkheid af die voortvloeit uit het niet naleven van deze instructies door klanten.

## VEILIGHEIDSINSTRUCTIES

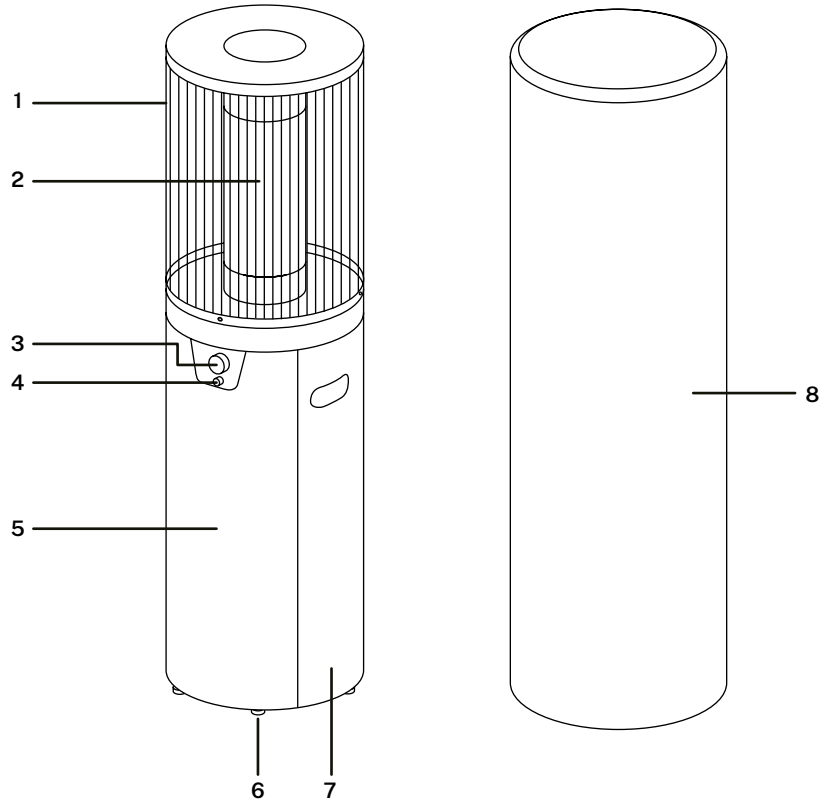
Lees zorgvuldig de basisveiligheidsvoorschriften voordat u dit product gebruikt. Het niet opvolgen van deze instructies kan het apparaat en andere voorwerpen aantasten of beschadigen en persoonlijk letsel veroorzaken:

- Dit apparaat is niet bedoeld voor gebruik binnenshuis of in gesloten ruimtes, omdat dit gevaarlijk kan zijn. Mag alleen buitenshuis of in goed geventileerde ruimtes worden gebruikt. In een goed geventileerde ruimte moet minimaal 25% van het oppervlak open zijn.
- Deze kachel is niet uitgerust met een atmosferisch detectieapparaat. Niet gebruiken in gesloten ruimtes.
- De gasfles die u gaat gebruiken, moet worden opgeslagen in overeenstemming met de geldende regelgeving.
- Gebruik alleen het type gas en het type cilinder dat in deze instructies wordt gespecificeerd.
- Blokkeer de ventilatiegaten in het cilinderhuis niet.
- Bij harde wind moet er speciale aandacht aan worden besteed om te voorkomen dat het apparaat valt.
- Zorg er altijd voor dat de kachel volledig is afgekoeld voordat u de hoes terugplaatst.
- De gaslang moet op de voorgeschreven tijdstippen worden vervangen.
- Gebruik voor het monteren van het apparaat uitsluitend en alleen de meegeleverde onderdelen. Breng geen wijzigingen aan aan de verwarmers of de onderdelen ervan. Elke wijziging aan het apparaat kan gevaarlijk zijn.
- Houd het apparaat tijdens en na gebruik buiten het bereik van kinderen en huisdieren. Productonderdelen kunnen erg heet zijn.
- Bewaar of gebruik geen benzine of andere brandbare dampen of vloeistoffen in de buurt van de verwarming.
- Sluit na gebruik de gastoevoer naar de cilinder af. Sluit de hoofdgasfles altijd af en koppel deze los na gebruik en voor opslag.
- Sluit de kraan op de gasfles of regelaar voordat u het toestel verplaatst. Verplaats het apparaat nooit wanneer het in werking is.
- Plaats de heater op een veilige, vlakke ondergrond, uit de buurt van brandbare voorwerpen zoals houten voorwerpen of overhangende boomtakken.
- Bewaar een verwarming nooit binnenshuis, tenzij deze volledig is afgekoeld en de gasfles is losgekoppeld.
- Onderdelen die door de fabrikant zijn verzegeld, mogen niet door de gebruiker worden gemanipuleerd.
- Deze heater wordt voornamelijk gebruikt voor buitenterrassen, terrassen en buitenwerkplekken.
- Respecteer altijd de minimale afstand tussen het apparaat en andere objecten, 2 meter boven en aan elke kant.



## ONDERDELENLIJST

1. Beschermend gaas
2. Glazen cilinder
3. Bedieningsknop
4. Batterijcompartiment
5. Magnetische deur
6. Verstelbare poten
7. Hoofdedeelte
8. Beschermhoes



## AANSLUITING GASFLES

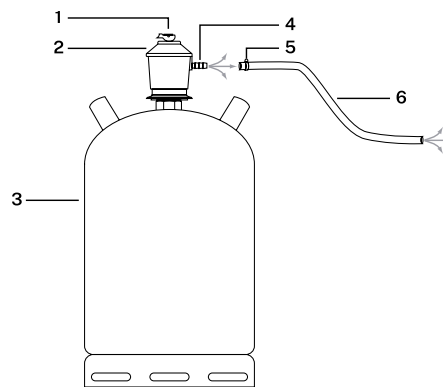
- Om deze kachel te gebruiken heeft u een standaard LPG-gasfles (propana of butaan) nodig.
- De slang moet CE-gekeurd zijn en voldoende lengte hebben om een knikvrije installatie mogelijk te maken (de lengte mag niet groter zijn dan 0,7 m). De slang moet over de gehele lengte goed zichtbaar zijn voor inspectie na installatie.
- De drukregelaar moet vooraf zijn ingesteld en CE-goedgekeurd, en de werkdruk moet geschikt zijn voor de gebruikte gasfles.
- De gasregelaar moet zijn goedgekeurd volgens EN 16129:2013, waarbij de capaciteit (g/u), druk, werkdruk en inlaat- + uitlaataansluiting geschikt zijn voor het land van bestemming.
- De flexibele rubberen gasleiding moet zijn goedgekeurd volgens 16436-1:2014 met een passend interieur dat past bij de leidingsteunen van het gascircuit en de gasregelaar, de werkdruk en de temperatuur.
- Wees vooral voorzichtig met het gevaar van gaslekken. Dit kan mogelijke gevolgen hebben zoals; Ernstig persoonlijk letsel of materiële schade als ontsnappend gas in een ongecontroleerde omgeving ontbrandt.

## BEVEILIGINGSMAATREGELEN

- Zorg er bij het aansluiten van de benzinepomp voor dat er zich binnen een straal van minimaal 5 meter geen ontstekingsbronnen bevinden.
- Wees vooral voorzichtig dat u geen open vuur aansteekt, rookt of elektrische apparaten inschakelt, dit kan mogelijke vonken veroorzaken.
- Zorg er indien nodig voor dat de slang niet geknikt is of knikt, vervang deze indien dit het geval is.
- Blokkeer de venturi-openingen van het cilindrische compartiment niet.

## ARTIKELEN

DEEL	BESCHRIJVING	FUNCTIE
1	Tabblad vergrendelen/ontgrendelen	Blokkeert of deblokkeert de doorgang van gas van de cilinder naar het apparaat.
2	Regelaar	Zorgt ervoor dat de stroom van de toevoer naar het apparaat constant en veilig is.
3	Gasfles met flessenhouder	Brandstof container.
4	Regelaar mondstuk	Zorgt ervoor dat gas uit de cilinder naar het mondstuk kan ontsnappen.
5	Veiligheidsklem	Ze maken een veilige verbinding van de rubberen slang met het mondstuk van de regelaar mogelijk, waardoor de dichtheid van de installatie wordt gegarandeerd.
6	Flexibele rubberen buis	Hierdoor kan het gas uit de cilinder naar de brander stromen.



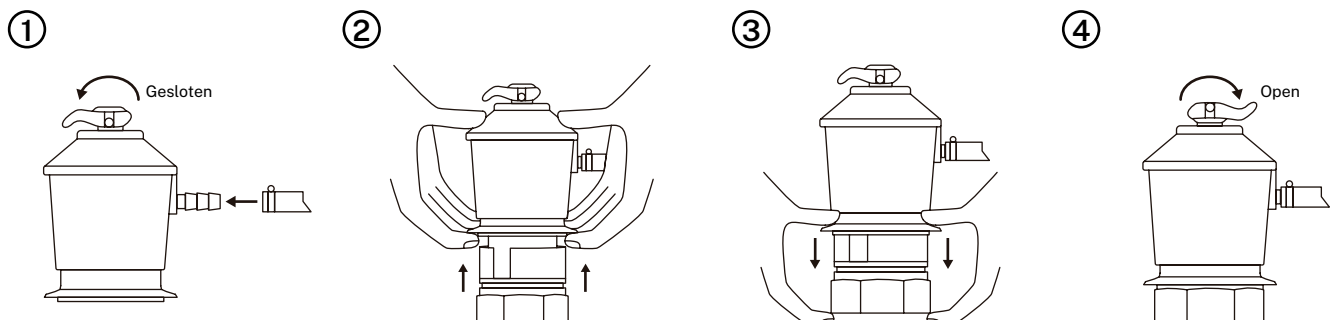
## CILINDER AANSLUITING

Dit apparaat is ontworpen om te werken met een cilinder met een maximale afmeting van Ø31,8 x 58 cm.

Voordat u begint met het aansluiten van de cilinder op het apparaat:

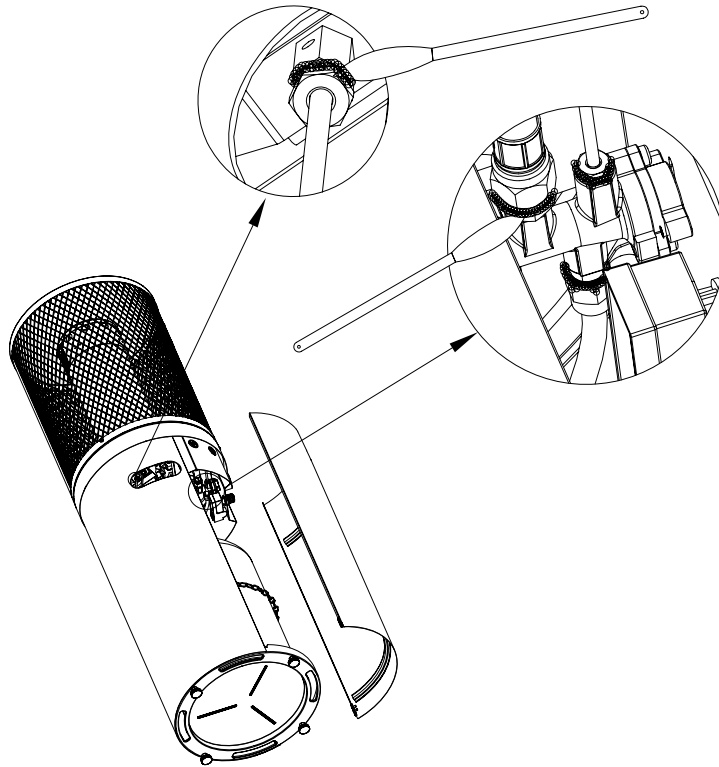
- Kies een geschikte plaats om de verwarming te installeren. Zorg ervoor dat er geen brandbare materialen of stoffen in de buurt zijn.
- Plaats de gasfles naast de kachel. Controleer of de gasfles en de regelaar in goede staat verkeren. Controleer ook of de regelaar de afdichting intact heeft. Gebruik geen andere afdichting. Controleer of ze correct zijn aangesloten door de regelaar omhoog te trekken. De regelaar mag niet worden losgekoppeld van de flesafsluiter.

1. Voordat u de regelaar op de cilinderkraan aansluit, steekt u de flexibele slang in het mondstuk van de regelaar. Om een optimale koppeling te garanderen, dient u een bevestigingsklem te gebruiken die gewoonlijk bij dit type buis wordt verkocht en die geschikt is voor de afmetingen ervan. De gebruikte flexibele slang moet goedgekeurd zijn. Zorg ervoor dat de flexibele slang niet gedraaid of bekneld raakt.
2. Controleer of alle apparaatknoppen gesloten zijn, de flexibele slang die op de regelaar is aangesloten correct is gemonteerd en het vergrendelings-/ontgrendelingslipje van de regelaar in de "gesloten" positie staat. Verwijder, zonder dat er vlam ontstaat, de afsluitplug van de automatische klep. Trek de ring omhoog en plaats de regelaar over de cilinderklep.
3. Druk de ring stevig naar beneden. U hoort een "klik", dit geeft aan dat de regelaar goed gemonteerd is. U kunt de cilinder in het hoofdgedeelte van de verwamer plaatsen.
4. Zodra de regelaar correct op de cilinderkraan is gemonteerd, kunt u de gastoevoer inschakelen door het vergrendelingslipje op de regelaar in de tegenovergestelde richting te bewegen als aangegeven door de pijl.
5. Om de gastoevoer te onderbreken, gaat u in de tegenovergestelde richting te werk.



### Opmerking:

- Controleer of de bedieningsknop in de stand “OFF” staat.
- Open de gasregelklep op de cilinder. Controleer op lekkages door een zeepoplossing over alle verbindingen in het gassysteem te laten lopen, inclusief alle klepaansluitingen, slangaansluitingen en aansluitingen van de regelaar.
- Gebruik nooit open vuur om op lekken te controleren.
- Als zich in een van de tanks belletjes vormen, is er sprake van een lek. Als de verbinding niet is afgedicht, sluit dan onmiddellijk de fleskraan en draai de verbinding vast of vervang het probleemonderdeel. Herhaal de lektest jaarlijks en telkens wanneer u de gasfles repareert of vervangt.



## VERWIJDER DE CILINDER

1. De vervanging moet altijd op veilige plaatsen gebeuren en in de afwezigheid van vlammen of ontstekingsbronnen. Wanneer het apparaat in werking is, mag u nooit proberen de regelaar los te koppelen van de gasfles.
2. De regelaar is zo voorbereid dat het niet mogelijk is deze uit de cilinder te verwijderen wanneer het gas wordt ingeschakeld. Daarom moet u controleren of de apparaatsleutel zich in de “gesloten” positie bevindt. En de gastoevoer staat in de vergrendelde stand.
3. Demonteer de regelaar door verticaal aan de ring te trekken. Controleer altijd of de regelaaraansluiting in goede staat is. Berg de regelaar met de gas slang op onder de barbecue. Zorg ervoor dat de slang op geen enkele manier gedraaid of geknikt is.
4. Bewaar de gasfles op de juiste manier op een veilige plaats.
  - Monteer het gasflesventiel met dopmoer en veiligheidsdop.
  - Bewaar de gasfles niet in gebieden onder het maaiveld, of in trappen, gangen of gebieden waar voetgangers of voertuigen passeren.
  - Bewaar de gasfles altijd buiten.
  - Zet de cilinder altijd rechtop, ook als deze leeg is.

## OPERATIE

---

### ZET DE VERWARMING VOOR DE EERSTE KEER AAN

1. Plaats een 1,5 V AAA-batterij met de juiste polariteit in het batterijcompartiment.
  2. Zorg ervoor dat de bedieningsknop in de stand "OFF" staat.
  3. Open de kraan op de gasfles.
  4. Druk op de bedieningsknop en draai deze naar de "MIN/START"-positie. Houd het gedurende 30 seconden ingedrukt.
  5. Wanneer de brander stabiel brandt, draait u de bedieningsknop tussen MIN-MAX om de gewenste intensiteit in te stellen.
- Als de brander niet aangaat, drukt u op de bedieningsknop en draait u deze met de klok mee naar de "OFF"-positie. Herhaal de ontsteking na 5 minuten.
- Opmerking:** De brander kan luidruchtig zijn wanneer hij voor het eerst wordt ingeschakeld. Om overmatig brandergeluid te elimineren, draait u de bedieningsknop naar de "MIN"-positie. Draai vervolgens de knop naar het gewenste warmteniveau.

### VLAM KENMERKEN

- Het vlampatroon moet visueel worden gecontroleerd wanneer de verwarmers in werking is. Normaal gesproken is de vlam van de brander blauw, maar als deze een kleine gele vlam heeft, is dit acceptabel.
- Als de vlammen voorbij het roosteroppervlak reiken, of als zich zwarte roet ophoopt op het emitterrooster of de reflector, moet de verwarming onmiddellijk worden uitgeschakeld en geïnspecteerd en/of gerepareerd.

### ZET DE VERWARMING AAN

1. Plaats een 1,5 V AAA-batterij met de juiste polariteit in het batterijcompartiment.
  2. Zorg ervoor dat de bedieningsknop in de stand "OFF" staat.
  3. Open de kraan op de gasfles.
  4. Druk op de bedieningsknop en draai deze naar "MIN/START". Houd het gedurende 30 seconden ingedrukt.
  5. Wanneer de brander stabiel brandt, draait u de bedieningsknop tussen "MIN-MAX" om de gewenste intensiteit in te stellen.
- Als de brander niet aangaat, drukt u op de bedieningsknop en draait u deze met de klok mee naar de "OFF"-positie. Herhaal de ontsteking na 5 minuten.

### VERWARMING UITGESCHAKELD

1. Druk de bedieningsknop in en draai deze met de klok mee naar de "UIT"-positie.
2. Draai de gasfleskraan open als de heater niet in gebruik is.

### TERUG AAN

1. Draai de bedieningsknop naar de "UIT"-positie.
2. Wacht 5 minuten voordat u probeert de brander opnieuw aan te steken.
3. Herhaal de stappen vanaf stap 2 van de bovenstaande inschakelinstructies.

### IN GEVAL VAN EEN GASLEK

1. Draai de bedieningsknop naar de "UIT"-positie.
2. Draai de cilinderklep naar de "UIT"-positie.
3. Wacht 5 minuten zodat het gas kan verdampen.
4. Als de geur aanhoudt, neem dan contact op met de relevante autoriteiten.

## REINIGING EN ONDERHOUD

### SCHOONMAAK

Om langer van uw kachel te kunnen genieten met uitstekende prestaties, dient u de volgende onderhoudswerkzaamheden regelmatig uit te voeren:

- Houd buitenoppervlakken schoon.
- Gebruik voor het reinigen warm zeepsop. Gebruik nooit brandbare of bijtende schoonmaakmiddelen.
- Zorg ervoor dat u tijdens het wassen van het apparaat het gebied rond de brander te allen tijde droog houdt.
- Als het gasregelblok op enigerlei wijze wordt blootgesteld aan water, probeer het dan niet te gebruiken. Deze zal vervangen moeten worden.
- Belemmer de luchtstroom niet. Houd de verwarmingsonderdelen zoals de knop, de brander en de circulerende luchtkanalen schoon. Tekenen van een mogelijke verstopping zijn onder meer:
  - Gasgeur waarbij de vlamkleur verandert naar geel.
  - Het apparaat bereikt niet de gewenste temperatuur.
  - De helderheid van het apparaat is buitengewoon onregelmatig.
  - Het apparaat maakt geluiden.
- Spinnen en insecten nestelen zich in de brander of in de gaten. Deze gevaarlijke toestand kan de verwarmers beschadigen en hem onveilig maken voor gebruik.
- Reinig de branderopeningen met een zware pijpreiniger. Perslucht kan kleine deeltjes helpen verwijderen.
- Koolstofafzettingen kunnen brandgevaar veroorzaken.
- Reinig de verwarmingskoepel met warm zeepsop als zich asafzettingen vormen.
- Controleer de slang of slang (minstens één keer per maand en elke keer dat de fles wordt vervangen). Als de slang tekenen van barsten, breken of andere beschadiging vertoont, moet deze worden vervangen door een nieuwe flexibele slang van dezelfde lengte en van gelijkwaardige kwaliteit.

### OPSLAG

- Bewaar het apparaat recht op een plaats beschermd tegen direct contact met de elementen (regen, natte sneeuw, hagel, sneeuw, stof en vuil).
- Dek het apparaat desgewenst af met een speciale hoes om de buitenoppervlakken te beschermen en te voorkomen dat er stof in de luchtkanalen terecht komt.
- Koppel de gasfles los en verplaats deze naar een veilige, goed geventileerde locatie buiten. Bewaar het niet op een plaats boven de 50°C.
- Verwijder altijd de AAA-batterij als deze langere tijd niet wordt gebruikt, omdat dit corrosie in het batterijcompartiment kan veroorzaken.

## PROBLEMEN OPLOSSEN

PROBLEEM	OORZAAK	OPLOSSING
De brander gaat niet aan.	De gasklep is gesloten.	Open de gasklep.
	De gasfles is leeg.	Vul de gasfles opnieuw of sluit een andere aan die vol is.
	Er zit lucht in het voersysteem.	Ontlucht lucht uit kanalen.
	De verbinding is los.	Controleer alle aansluitingen.
De brander blijft niet branden.	Er zit vuil rond de brander.	Maak het vuile gebied schoon.
	De verbinding is los.	Controleer alle aansluitingen.
	Het thermokoppel werkt niet.	Neem contact op met de klantenservice.
	Er is een klein gaslek.	Controleer alle aansluitingen.
	Gebrek aan brandstofdruk.	De brandstoftank is bijna leeg.
De verwarming gaat niet aan.	De druk is laag.	De brandstoftank is bijna leeg.
	De bedieningsknop is niet ingeschakeld.	Draai de bedieningsknop naar de aan-positie.
	Het thermokoppel is kapot.	Neem contact op met de klantenservice.
	De bedieningsknop is verbogen of bevindt zich niet op de juiste locatie.	Neem contact op met de klantenservice.

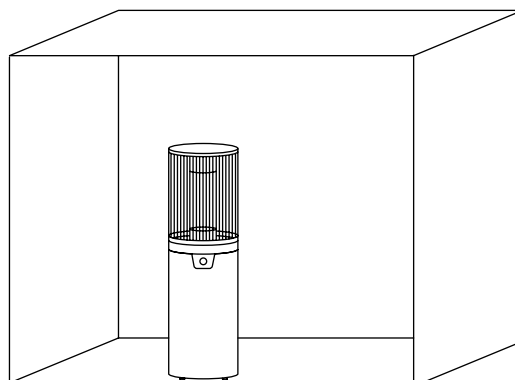
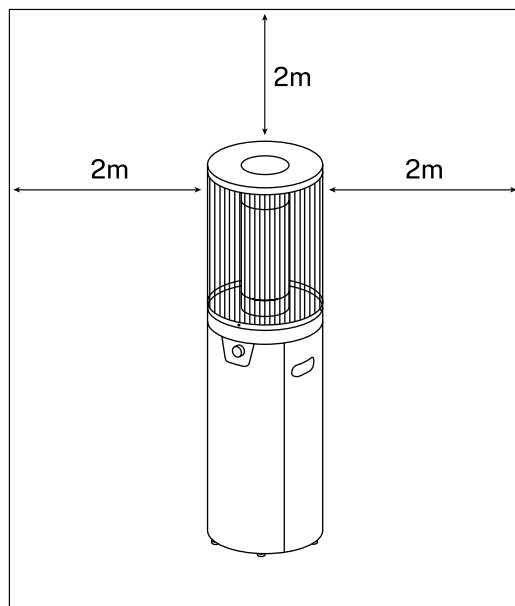
Dziękujemy bardzo za wybór naszego grzejnika. Przed użyciem urządzenia należy dokładnie zapoznać się z instrukcją jego prawidłowego użytkowania.

Zawarte w instrukcji środki ostrożności zmniejszają ryzyko oparzeń, obrażeń, a nawet śmierci, jeśli są ściśle przestrzegane. Prosimy zachować niniejszą instrukcję w bezpiecznym miejscu do wykorzystania w przyszłości, wraz z oryginalnym opakowaniem produktu i dowodem zakupu. Jeśli to możliwe, przekaz tę instrukcję kolejnemu właścicielowi produktu. Podczas korzystania z urządzenia należy zawsze przestrzegać podstawowych środków ostrożności i zasad zapobiegania wypadkom. Zrzekamy się wszelkiej odpowiedzialności wynikającej z nieprzestrzegania niniejszych instrukcji przez klientów.

## INSTRUKCJE BEZPIECZEŃSTWA

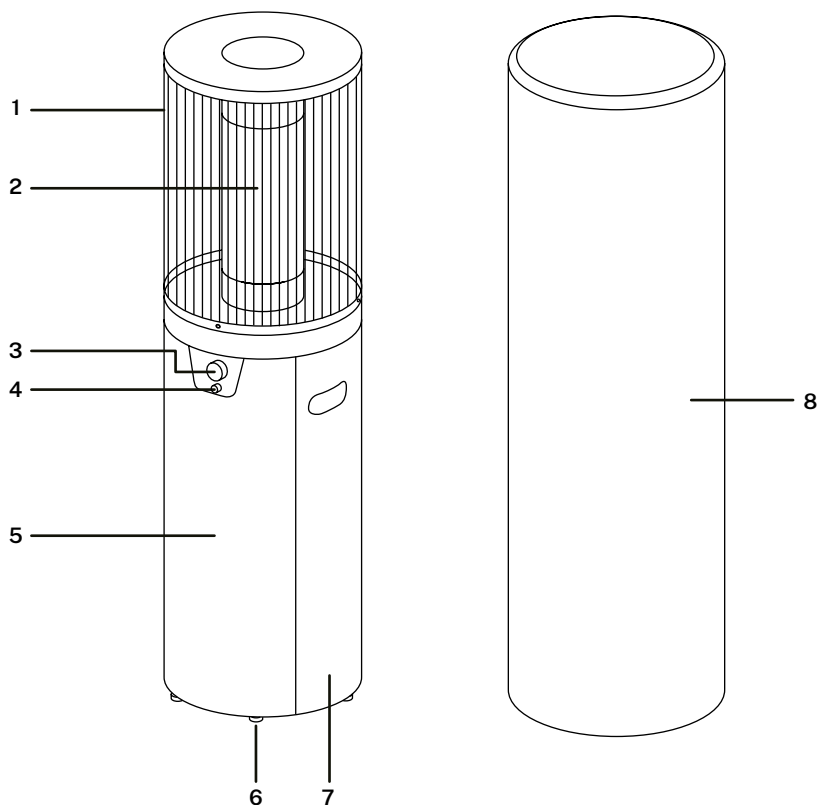
Przed użyciem tego produktu należy uważnie zapoznać się z podstawowymi środkami ostrożności. Niezastosowanie się do tych instrukcji może mieć wpływ na lub uszkodzić urządzenie i inne przedmioty oraz spowodować obrażenia ciała:

- To urządzenie nie jest przeznaczone do użytku w pomieszczeniach zamkniętych lub w pomieszczeniach zamkniętych, ponieważ może to być niebezpieczne. Należy stosować wyłącznie na zewnątrz lub w szeroko wentylowanych pomieszczeniach. W dobrze wentylowanym pomieszczeniu co najmniej 25% powierzchni powinno być otwarte.
- Nagrzewnica ta nie jest wyposażona w urządzenie wykrywające atmosferę. Nie stosować w zamkniętych pomieszczeniach.
- Butlę z gazem, z której zamierzasz korzystać, należy przechowywać zgodnie z obowiązującymi przepisami.
- Należy używać wyłącznie rodzaju gazu i typu butli określonych w niniejszej instrukcji.
- Nie zatykać otworów wentylacyjnych w obudowie butli.
- W przypadku silnego wiatru należy zachować szczególną ostrożność, aby zapobiec upadkowi urządzenia.
- Przed wymianą pokrywy zawsze upewnij się, że grzejnik jest całkowicie zimny.
- Wąż gazowy należy wymieniać w określonych odstępach czasu.
- Do montażu urządzenia należy używać wyłącznie i wyłącznie dostarczonych elementów. Nie modyfikuj grzejnika ani jego części. Wszelkie modyfikacje urządzenia mogą być niebezpieczne.
- W trakcie i po użyciu urządzenie należy przechowywać poza zasięgiem dzieci i zwierząt domowych. Części produktu mogą być bardzo gorące.
- Nie przechowuj ani nie używaj benzyny lub innych łatwopalnych oparów lub cieczy w pobliżu grzejnika.
- Po użyciu należy wyłączyć dopływ gazu do butli. Zawsze zamykaj i odłączaj butlę od głównego źródła gazu po użyciu i podczas przechowywania.
- Przed przeniesieniem urządzenia zamknij zawór na butli z gazem lub regulatorze. Nigdy nie przesuwaj urządzenia, gdy jest włączone.
- Umieść grzejnik na bezpiecznej, poziomej powierzchni, z dala od łatwopalnych przedmiotów, takich jak drewniane przedmioty lub zwisające gałęzie drzew.
- Nigdy nie przechowuj grzejnika w pomieszczeniu, chyba że jest całkowicie chłodny i butla z gazem jest odłączona.
- Użytkownik nie powinien manipulować częściami zabezpieczonymi przez producenta.
- Grzejnik ten jest używany głównie na zewnętrznych tarasach, tarasach i w zewnętrznych miejscach pracy.
- Zawsze przestrzegaj minimalnej odległości między urządzeniem a innymi obiektami, 2 metry nad i po każdej stronie.



## LISTA CZĘŚCI

1. Siatka ochronna
2. Szklany cylinder
3. Pokrętko sterujące
4. Komora baterii
5. Drzwi magnetyczne
6. Regulowane nogi
7. Główny korpus
8. Osłona ochronna



## PODŁĄCZENIE BUTLI GAZOWEJ

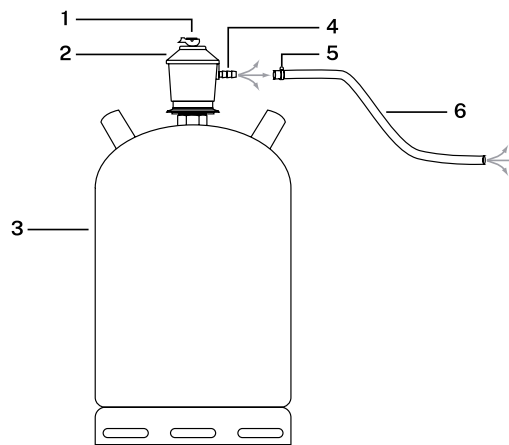
- Do korzystania z tego grzejnika potrzebna jest standardowa butla z gazem LPG (propan lub butan).
- Wąż musi posiadać certyfikat CE i mieć wystarczającą długość, aby umożliwić montaż bez załamań (długość nie może przekraczać 0,7 m). Wąż musi być dobrze widoczny na całej długości w celu kontroli po montażu.
- Reduktor ciśnienia musi być ustawiony fabrycznie i posiadać certyfikat CE, a ciśnienie robocze musi być odpowiednie dla używanej butli z gazem.
- Reduktor gazu musi być zatwierdzony zgodnie z normą EN 16129:2013 pod względem wydajności (g/h), ciśnienia, temperatury roboczej i przyłącza wlotowego i wylotowego odpowiednich dla kraju przeznaczenia.
- Elastyczna gumowa rura gazowa musi być dopuszczona zgodnie z 16436-1:2014 z odpowiednim wnętrzem pasującym do wsporników rurowych obwodu gazowego i reduktora gazu, ciśnienia roboczego i temperatury.
- Należy zachować szczególną ostrożność ze względu na ryzyko wycieku gazu. Może to mieć możliwe konsekwencje, takie jak; Poważne obrażenia ciała lub szkody materialne w przypadku zapalenia się wydobywającego się gazu w niekontrolowanym środowisku.

## ŚRODKI BEZPIECZEŃSTWA

- Podłączając pompę gazu należy zwrócić uwagę, aby w promieniu co najmniej 5 m nie znajdowały się żadne źródła zapłonu.
- Należy zachować szczególną ostrożność, aby nie zapalać otwartego ognia, nie palić i nie włączać urządzeń elektrycznych, gdyż może to spowodować iskrzenie.
- Jeśli to konieczne, upewnij się, że wąż nie jest zagięty lub załamany, jeśli tak, wymień go.
- Nie blokuj otworów Venturiego w komorze cylindrycznej.

## RZECZY

CZĘŚĆ	OPIS	FUNKCJONOWAĆ
1	Zakładka Zablokuj/Odblokuj	Blokuje lub odblokuje przepływ gazu z butli do urządzenia.
2	Regulator	Zapewnia stały i bezpieczny przepływ od źródła zasilania do urządzenia.
3	Butla gazowa z uchwytem na butlę	Zbiornik na paliwo.
4	Dysza regulatora	Umożliwia ucieczkę gazu z cylindra do dyszy.
5	Zacisk bezpieczeństwa	Umożliwiają pewne połączenie gumowej rurki z króćcem regulatora, gwarantując szczelność instalacji.
6	Elastyczna gumowa rurka	Umożliwia przedostanie się gazu z butli do palnika.



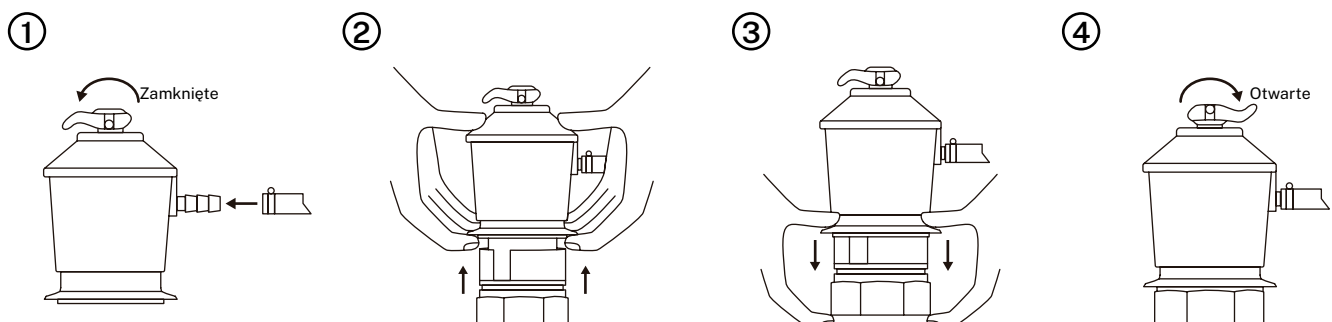
## PODŁĄCZENIE CYLINDRA

Urządzenie to jest przystosowane do współpracy z cylindrem o maksymalnym rozmiarze  $\varnothing 31,8 \times 58$  cm.

Przed przystąpieniem do podłączenia butli do urządzenia:

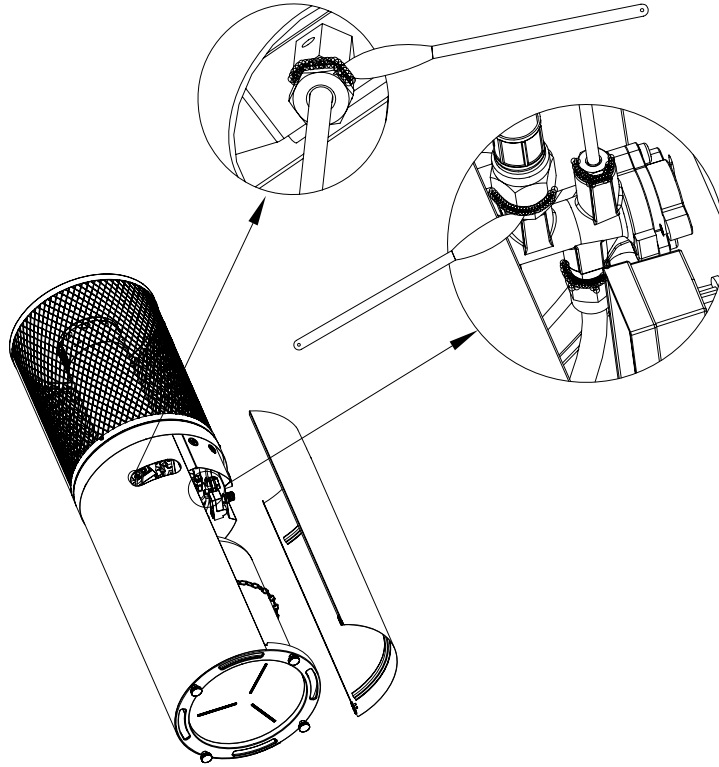
- Wybierz odpowiednie miejsce do zainstalowania grzejnika. Upewnij się, że w pobliżu nie znajdują się żadne łatwopalne materiały lub substancje.
- Umieść butlę z gazem obok grzejnika. Sprawdź, czy butla z gazem i reduktor są w dobrym stanie. Sprawdź także, czy regulator ma nienaruszoną uszczelkę. Nie używaj żadnej innej uszczelki. Sprawdź czy są prawidłowo podłączone pociągając regulator do góry. Nie wolno odłączać automatu od zaworu butli.

1. Przed podłączeniem automatu do zaworu butli należy włożyć elastyczną rurkę do ustnika automatu. Aby zapewnić optymalne połączenie, należy zastosować obejmę mocującą powszechnie sprzedawaną z tego typu rurą i odpowiednią do jej wymiarów. Zastosowana elastyczna rura musi być dopuszczona. Upewnij się, że elastyczny wąż nie jest skręcony ani zaciśnięty.
2. Sprawdź, czy wszystkie klawisze urządzenia są zamknięte, elastyczny wąż łączący się z automatem jest prawidłowo zamontowany, a zatrzask blokujący/odblokowujący regulatora znajduje się w pozycji „zamkniętej”. Nie paląc płomienia, wyjmij korek uszczelniający z zaworu automatycznego. Pociągnij pierścień do góry i umieść reduktor nad zaworem butli.
3. Mocno wciśnij pierścień w dół. Usłyszysz „kliknięcie”, co oznacza, że regulator jest prawidłowo zamontowany. Cylinder można włożyć do głównego korpusu grzejnika.
4. Po prawidłowym zamontowaniu reduktora na zaworze butli można włączyć dopływ gazu przesuwając zaczep blokujący na reduktorze w kierunku przeciwnym do wskazanego strzałką.
5. Aby przerwać dopływ gazu, należy postępować w odwrotnym kierunku.



#### Notatka:

- Upewnij się, że pokrętko sterujące znajduje się w pozycji „OFF”.
- Otwórz zawór kontroli gazu na butli. Sprawdź, czy nie ma wycieków, przemywając roztworem mydła wszystkie złącza instalacji gazowej, w tym wszystkie połączenia zaworów, połączenia węży i połączenia regulatora.
- Nigdy nie używaj otwartego płomienia do sprawdzania szczelności.
- Jeśli w którymkolwiek zbiorniku tworzą się pęcherzyki, oznacza to wyciek. Jeśli połączenie nie jest uszczelnione, natychmiast zamknij zawór butli i dokręć połączenie lub wymień problematyczną część. Powtarzaj test szczelności co roku oraz przy każdej naprawie lub wymianie butli z gazem.



#### WYJMIJ CYLINDER

1. Wymianę należy zawsze przeprowadzać w bezpiecznych miejscach i przy braku płomieni lub źródeł zapłonu. Gdy urządzenie jest włączone, nigdy nie próbuj odłączać reduktora od butli z gazem.
2. Reduktor jest tak przygotowany, że nie ma możliwości wyjęcia go z butli po włączeniu gazu. Dlatego należy sprawdzić, czy klucz urządzenia znajduje się w pozycji „zamkniętej”. A dopływ gazu jest w pozycji zablokowanej.
3. Zdemontować regulator pociągając pionowo za pierścień. Zawsze sprawdzaj, czy połączenie regulatora jest w dobrym stanie. Przechowuj reduktor wraz z wężem gazowym pod grillem. Upewnij się, że wąż nie jest w żaden sposób skręcony ani załamany.
4. Przechowuj butlę z gazem w bezpiecznym miejscu.
  - Zamontować zawór butli gazowej z nakrętką kołpakową i kołpakiem zabezpieczającym.
  - Nie przechowuj butli z gazem w obszarach poniżej poziomu gruntu, na schodach, korytarzach lub w obszarach, przez które przechodzą piesi lub pojazdy.
  - Zawsze przechowuj butlę z gazem na zewnątrz.
  - Zawsze ustawiaj butlę pionowo, nawet jeśli jest pusta.

## DZIAŁANIE

---

### WŁĄCZ OGRZEWANIE PO PIERWSZY RAZ

1. Włóż baterię 1,5 V AAA do komory baterii, zachowując właściwą polaryzację.
  2. Upewnij się, że pokrętło sterujące znajduje się w pozycji „OFF”.
  3. Otwórz zawór na butli z gazem.
  4. Wciśnij pokrętło sterujące i obróć je do pozycji „MIN/START”. Przytrzymaj przez 30 sekund.
  5. Gdy palnik pali się stabilnie, obróć pokrętło sterujące w zakresie MIN-MAX, aby ustawić żądaną intensywność.
- Jeśli palnik nie zapala się, wciśnij pokrętło sterujące i obróć je w kierunku zgodnym z ruchem wskazówek zegara do pozycji „OFF”. Po 5 minutach powtórz zapłon.
- Notatka:** Palnik może hałasować przy pierwszym włączeniu. Aby wyeliminować nadmierny hałas palnika należy obrócić pokrętło sterujące do pozycji „MIN”. Następnie obróć pokrętło na żądany poziom grzania.

### CHARAKTERYSTYKA PŁOMIENIA

- Układ płomienia należy sprawdzać wzrokowo przy każdym uruchomieniu grzejnika. Zwykle płomień palnika jest niebieski, ale jeśli ma mały żółty płomień, jest to dopuszczalne.
- Jeśli płomień wychodzi poza powierzchnię kratki lub na kratce emitera lub reflektorze gromadzi się czarna sadza, należy natychmiast wyłączyć grzejnik i sprawdzić i/lub naprawić.

### WŁĄCZ GRZEJNIK

1. Włóż baterię 1,5 V AAA do komory baterii, zachowując właściwą polaryzację.
  2. Upewnij się, że pokrętło sterujące znajduje się w pozycji „OFF”.
  3. Otwórz zawór na butli z gazem.
  4. Wciśnij pokrętło sterujące i obróć je w położenie „MIN/START”. Przytrzymaj przez 30 sekund.
  5. Gdy palnik pali się stabilnie, obróć pokrętło sterujące pomiędzy „MIN-MAX”, aby ustawić żądaną intensywność.
- Jeśli palnik nie zapala się, wciśnij pokrętło sterujące i obróć je w kierunku zgodnym z ruchem wskazówek zegara do pozycji „OFF”. Po 5 minutach powtórz zapłon.

### WYŁĄCZENIE NAGRZEWNICY

1. Naciśnij i obróć pokrętło sterujące w kierunku zgodnym z ruchem wskazówek zegara do pozycji „OFF”.
2. Przekręć zawór butli z gazem, gdy grzejnik nie jest używany.

### POWRÓT

1. Obróć pokrętło sterujące do pozycji „OFF”.
2. Odczekaj 5 minut przed próbą ponownego zapalenia palnika.
3. Powtórz kroki, zaczynając od kroku 2 powyższych instrukcji włączania.

### W PRZYPADKU WYCIEKU GAZU

1. Obróć pokrętło sterujące do pozycji „OFF”.
2. Przekręć zawór butli do pozycji „OFF”.
3. Odczekaj 5 minut, aż gaz się rozproszy.
4. Jeśli zapach nie ustąpi, skontaktuj się z odpowiednimi władzami.

## CZYSZCZENIE I KONSERWACJA

### CZYSZCZENIE

Aby dłużej cieszyć się grzejnikiem o doskonałej wydajności, należy regularnie wykonywać następujące czynności konserwacyjne:

- Utrzymuj powierzchnie zewnętrzne w czystości.
- Do czyszczenia używaj ciepłej wody z mydłem. Nigdy nie używaj łatwopalnych lub żrących środków czyszczących.
- Podczas mycia urządzenia należy pamiętać o tym, aby obszar wokół palnika był zawsze suchy.
- Jeśli regulator gazu zostanie w jakikolwiek sposób narażony na działanie wody, nie próbuj go używać. To będzie trzeba wymienić.
- Nie utrudniaj przepływu powietrza. Utrzymuj w czystości części grzejnika, takie jak pokrętło, palnik i kanały powietrza obiegowego. Oznaki możliwej blokady obejmują:
  - Zapach gazu i zmiana koloru płomienia na żółty.
  - Urządzenie nie osiąga żądanej temperatury.
  - Jasność urządzenia jest nadmiernie nieregularna.
  - Urządzenie wydaje dźwięki.
- Pająki i owady gniazdują w palniku lub w otworach. Ta niebezpieczna sytuacja może spowodować uszkodzenie grzejnika i uczynić go niebezpiecznym w użyciu.
- Oczyszczyć otwory palnika mocnym środkiem do czyszczenia rur. Sprężone powietrze może pomóc w usunięciu małych cząstek.
- Osady węgla mogą powodować zagrożenie pożarowe.
- Jeśli osadzi się popiół, wyczyść kopułę grzejnika ciepłą wodą z mydłem.
- Sprawdź rurkę lub wąż (przynajmniej raz w miesiącu i przy każdej wymianie butelki). Jeżeli wykazuje oznaki pęknięcia, pęknięcia lub innego pogorszenia jakości, należy go wymienić na nową elastyczną rurkę o tej samej długości i porównywalnej jakości.

### SKŁADOWANIE

- Przechowuj urządzenie w pozycji pionowej, w miejscu chronionym przed bezpośrednim kontaktem z czynnikami zewnętrznymi (deszczem, deszczem ze śniegiem, gradem, śniegiem, kurzem i gruzem).
- W razie potrzeby przykryj urządzenie specjalną osłoną, aby chronić powierzchnie zewnętrzne i zapobiec przedostawaniu się kurzu do kanałów wentylacyjnych.
- Odłącz butlę z gazem i przenieś ją w bezpieczne, dobrze wentylowane miejsce na zewnątrz. Nie przechowuj go w miejscu o temperaturze powyżej 50°C.
- Zawsze wyjmuj baterię AAA, jeśli nie będzie ona używana przez dłuższy czas, ponieważ może to spowodować korozję w komorze baterii.

## ROZWIĄZYWANIE PROBLEMÓW

PROBLEM	PRZYCZYNA	ROZWIĄZANIE
Palnik nie zapala się.	Zawór gazowy jest zamknięty.	Otwórz zawór gazowy.
	Butla z gazem jest pusta.	Napełnij butlę z gazem lub podłącz inną, pełną.
	W układzie karmienia znajduje się powietrze.	Odpowietrzyc kanały.
	Połączenie jest luźne.	Sprawdź wszystkie połączenia.
Palnik nie pozostaje włączony.	Wokół palnika znajdują się zanieczyszczenia.	Oczyść brudny obszar.
	Połączenie jest luźne.	Sprawdź wszystkie połączenia.
	Termopara nie działa.	Skontaktuj się z obsługą klienta.
	Wystąpił niewielki wyciek gazu.	Sprawdź wszystkie połączenia.
	Brak ciśnienia paliwa.	Zbiornik paliwa jest prawie pusty.
Grzejnik nie włącza się.	Ciśnienie jest niskie.	Zbiornik paliwa jest prawie pusty.
	Pokrętło sterujące nie jest włączone.	Obróć pokrętło sterujące do pozycji włączonej.
	Termopara jest uszkodzona.	Skontaktuj się z obsługą klienta.
	Pokrętło sterujące jest wygięte lub nie znajduje się we właściwym miejscu.	Skontaktuj się z obsługą klienta.





# CREATE



**FR**  
Cet appareil se recycle

À DÉPOSER EN MAGASIN

OU

À DÉPOSER EN DÉCHÈTERIE

Points de collecte sur [www.quefairedemesdechets.fr](http://www.quefairedemesdechets.fr)  
Privilégiez la réparation ou le don de votre appareil !



/

Made in China