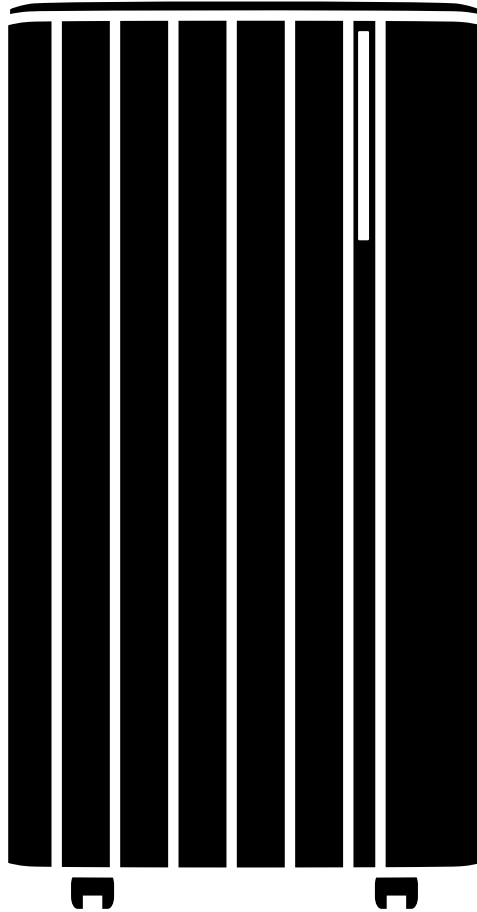


CREATE



Air Dry Connect

User manual | Manual de instrucciones

INDEX

ENGLISH

Safety precautions	6
Parts list	10
Safe handling of the device	10
Facility	11
Control Panel	11
Notices	13
Drainage	13
Cleaning and maintenance	14
Wifi connection	14
Troubleshooting	15

PORTUGUÊS

Precauções de segurança	26
Lista de peças	30
Manuseio seguro do dispositivo	30
Instalação	31
painel de controle	31
Avisos	33
Drenagem	33
Limpeza e manutenção	34
Conexão wi-fi	34
Solução de problemas	35

ESPAÑOL

Precauciones de seguridad	16
Listado de partes	20
Manejo seguro del aparato	20
Instalación	21
Panel de control	21
Avisos	23
Drenaje	23
Limpieza y mantenimiento	24
Conexión wifi	24
Solución de problemas	25

ITALIANO

Precauzioni di sicurezza	36
Elenco dei componenti	40
Utilizzo sicuro del dispositivo	40
Facilità	41
pannello di controllo	41
Avvisi	43
Drenaggio	43
Pulizia e manutenzione	44
Connessione wi-fi	44
Risoluzione dei problemi	45

INDEX

FRANÇAIS

Précautions de sécurité	46
Liste des pièces	50
Manipulation sûre de l'appareil	50
Facilité	51
Panneau de contrôle	51
Avis	53
Drainage	53
Nettoyage et entretien	54
Connexion wifi	54
Dépannage	55

NEDERLANDS

Veiligheidsmaatregelen	66
Onderdelenlijst	70
Veilige omgang met het apparaat	70
Faciliteit	71
bedieningspaneel	71
Mededelingen	73
Afwatering	73
Reiniging en onderhoud	74
Wifi-verbinding	74
Probleemoplossing	75

DEUTSCH

Sicherheitsvorkehrungen	56
Ersatzteilliste	60
Sicherer Umgang mit dem Gerät	60
Einrichtung	61
Bedienfeld	61
Hinweise	63
Drainage	63
Reinigung und Wartung	64
Wlan-verbinding	64
Fehlerbehebung	65

POLSKI

Środki ostrożności	76
Lista części	80
Bezpieczne obchodzenie się z urządzeniem	80
Obiekt	81
Panel sterowania	81
Zawiadomienia	83
Drenaż	83
Czyszczenie i konserwacja	84
Połączenie wi-fi	84
Rozwiązywanie problemów	85

ENGLISH

Thank you very much for choosing our dehumidifier. Before using this appliance, please read these instructions carefully for proper use.

The safety precautions included will reduce the risk of injury, electric shock, or even death if strictly followed. Keep this manual in a safe place for future reference, along with the original product packaging and proof of purchase. If possible, pass these instructions on to the next owner of the appliance. Always follow basic safety precautions and accident prevention rules when using an electrical appliance. The company declines all liability arising from the client's failure to comply with these instructions.

SAFETY PRECAUTIONS

Before using any electrical appliance, basic safety precautions should always be observed.

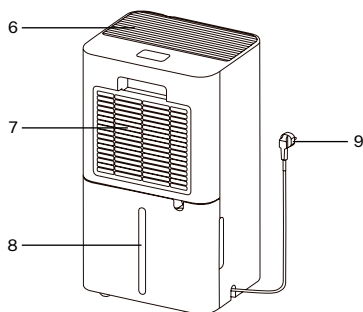
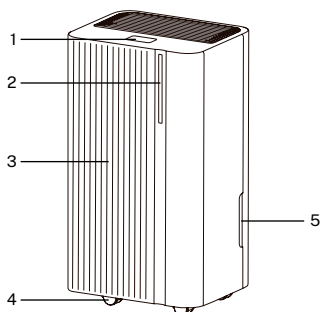
- This appliance can be used by children aged 8 years and above and by persons with reduced physical, sensory or mental capabilities or lack of experience and knowledge if they have been given supervision or instruction concerning use of the appliance in a safe way and understand the hazards involved.
- Children should not play with the appliance. Cleaning and maintenance should not be performed by children.
- The unit is designed for use only with R-290 (propane) gas as the designated refrigerant.
- The coolant circuit is sealed. Maintenance should only be performed by a qualified technician.
- R-290 (propane) is flammable and heavier than air. It accumulates first in the lower areas, but can circulate thanks to the fans. If propane gas is present or even suspected, do not allow untrained personnel to try to find the cause.
- The propane gas used in the unit is odorless. The absence of odor does not indicate that there are no gas leaks. If a leak is detected, immediately evacuate everyone from the room, ventilate the room, and contact the local fire department to inform them that a propane leak has occurred. Do not allow anyone to re-enter the room until a qualified service technician has arrived and instructed you that it is safe to return to the store.
- Open flames, cigarettes, or other potential ignition sources should not be used inside or near the units.
- The components are designed for propane and do not produce sparks. Component parts will only be replaced with identical repair parts and by qualified personnel.
- Failure to follow these warnings may result in explosion, property damage, injury, or even death.

- If the power cord is damaged, it must be replaced by the manufacturer, its service agent or similarly qualified persons in order to avoid a hazard.
- Always disconnect the appliance from its power source during maintenance.
- Always operate the appliance with a power supply of the same voltage, frequency and power as indicated on the product identification plate.
- Always use a grounded outlet.
- Unplug the power cord when cleaning or not in use.
- Do not use the appliance with wet hands. Avoid water falling on the appliance.
- Do not immerse or expose the device to rain, moisture or any other liquid.
- Do not leave the appliance running unattended. Do not tilt or rotate the appliance.
- Do not unplug the appliance while it is in use.
- Do not unplug the appliance by pulling on the power cord.
- Do not use adapters or extension cords.
- Do not place objects on top of the unit, nor stand or sit on it.
- Do not insert fingers or other objects into the air outlet.
- Do not touch the air inlet or aluminum fins of the unit.
- Do not use the unit if it has been dropped, is damaged, or shows signs of product malfunction.
- Do not clean the appliance with chemicals.
- Make sure the appliance is away from fire and flammable or explosive objects.
- The unit must be installed in accordance with national wiring regulations.
- Do not use any means to accelerate the defrosting process or to clean the product other than those recommended by the manufacturer.
- The appliance must be stored in a room without sources of continuous operation (for example: open flames, a gas appliance in operation or an electric heater in operation).
- The device must be stored in such a way that mechanical damage does not occur.
- Do not cut or burn the appliance, even after use.
- Please note that refrigerants may not contain any odor.
- Pipes must be protected from physical damage and must not be installed in an unventilated space if the space is less than 4 m².
- National gas regulations must always be observed.
- Keep necessary ventilation openings free from obstruction.
- The appliance should be stored in a well-ventilated area where the room size corresponds to the room area specified for operation.

- Any person working or intervening on a refrigerant circuit must hold a valid certificate from an industry-accredited assessment authority, certifying their competence to safely handle refrigerants in accordance with an industry-recognized assessment specification.
- Maintenance will only be performed according to the equipment manufacturer's recommendations. Maintenance and repairs requiring the assistance of other qualified personnel shall be carried out under the supervision of a person competent in the use of flammable refrigerants.
- If you don't understand something or need help, please contact customer service.
- Area checks: Before starting work on systems containing flammable refrigerants, safety checks must be performed to ensure the risk of ignition is minimized. For cooling system repair, basic precautions should be followed before performing work on the system.
- Working procedure: The work will be carried out under a controlled procedure so as to minimize the risk of the presence of flammable gas or vapor during the work.
- General work area: All maintenance personnel and other persons working in maintenance shall be instructed on the nature of the work being carried out. Working in confined spaces will be avoided. The work area will be delimited. Conditions within the area will be ensured to be safe by controlling flammable material.
- Checking for the presence of coolant: The area will be checked with a suitable refrigerant detector before and during work to ensure the technician is aware of potentially flammable atmospheres. Ensure that the leak detection equipment used is suitable for use with flammable refrigerants, i.e., non-sparking, adequately sealed, or intrinsically safe.
- Presence of fire extinguisher: If any hot work is to be performed on the refrigeration equipment or any of its associated parts, appropriate fire-extinguishing equipment shall be readily available. Have a dry powder or CO₂ fire extinguisher near the loading area.
- No ignition source: No person carrying out work related to a refrigeration system that involves the exposure of piping containing or having contained flammable refrigerant shall use ignition sources in such a way that a risk of fire or explosion may occur. All potential ignition sources, including cigarette smoking, must be kept sufficiently away from the installation, repair, disassembly, and disposal site, during which flammable refrigerant may be released into the surrounding space. Before starting work, the area around the equipment must be inspected to ensure that there are no flammable hazards or ignition risks.
- Ventilated area: Ensure the area is outdoors or adequately ventilated before breaking into the system or performing any hot work. A certain degree of ventilation must be maintained during the period in which the work is carried out. Ventilation must safely disperse any released refrigerant and preferably exhaust it externally to the atmosphere.

- Cooling equipment checks: When replacing electrical components, they must be suitable for their intended purpose and meet the correct specifications. The manufacturer's maintenance and service guidelines will be followed at all times. If in doubt, consult the manufacturer's technical department.
- The following checks shall be applied to installations using flammable refrigerants:
 - The charge size depends on the size of the room in which the refrigerant-containing parts are installed.
 - The ventilation machinery and outlets are working properly and are not obstructed.
 - If an indirect cooling circuit is used, the presence of refrigerant in the secondary circuit will be checked.
 - The equipment marking remains visible and legible. Illegible markings and signs must be corrected.
 - Refrigeration piping or components are installed in a position where they are unlikely to be exposed to any substance that could corrode components containing refrigerant, unless the components are made of materials that are intrinsically corrosion-resistant or are adequately protected against such corrosion.
- Checking electrical devices: Repair and maintenance of electrical components will include initial safety checks and component inspection procedures. If there is a fault that could compromise safety, no power supply will be connected to the circuit until it is satisfactorily resolved. If the fault cannot be corrected immediately but continued operation is necessary, a suitable temporary solution shall be used. The equipment owner will be informed so that all parties are informed.
- Initial safety checks will include:
 - Discharge the capacitors: This should be done safely to avoid the possibility of sparks.
 - Do not expose live electrical components and wiring while charging, recovering, or purging the system.
 - Ensure grounding continuity.

PARTS LIST



1. Control Panel and digital display
2. Luminous screen
3. Front panel

4. Wheels
5. Water tank
6. Air outlet

7. Air filter
8. Water level indicator
9. Power cable

SAFE HANDLING OF THE DEVICE

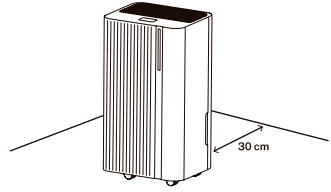
- Check the appliance for damage or scratches after unpacking.
- Do not use outdoors. This dehumidifier is designed for indoor residential use only.
- If tilted more than 45°, allow the appliance to stand upright for at least 24 hours before operating.
- Keep the doors and windows of the room closed for greater energy savings.
- Do not use or store the appliance in direct sunlight or rain.
- It is normal for the air outlet to feel warm to the touch after continuous operation on hot days.
- Empty the water tank before moving the appliance.
- Make sure the water tank is correctly positioned, otherwise the appliance will not work.
- The dehumidifier starts in the mode selected the last time the appliance was used.
- The dehumidifier starts dehumidifying if the room humidity is 3% higher than the selected humidity.
- The compressor has a 3 minute protection delay. Wait 3 minutes for the dehumidifier to resume dehumidifying.
- Do not operate near walls, curtains, or other objects that may block air intake and exhaust. Keep the air inlet and outlet free of obstacles.
- Adjust the wind deflector upwards before starting.

Operating temperature:

- Use this appliance at a room temperature between 5°C and 35°C.
- When the ambient temperature is lower or higher than the operating temperature, the dehumidifier will stop.
- When the ambient temperature is between 5°C and 16°C, the compressor will automatically defrost at intervals. During defrosting, the compressor will stop and the fan will continue to run.

FACILITY

- Place the unit on a firm, level surface in an area with at least 30 cm of free space around it to allow for proper air circulation.
- Never install the unit where it may be subject to heat sources such as radiators, heat registers, stoves, or other heat-producing products, in an area subject to oil or water splashes, direct sunlight, mechanical vibration or shock, excessive dust, lack of ventilation, such as in a closet or bookcase, on uneven surfaces, etc.
- Install the unit in rooms larger than 4 m².
- Do not install the unit where flammable gas may leak.



CONTROL PANEL



Power button

- Press the power button to turn on the device, the indicator light will illuminate, the default fan speed will be high, and the default humidity setting will be 50%.
- When the appliance is working, press the power button to turn it off, the working indicator light will turn off and the compressor will stop immediately. After 30 seconds of shutdown the fan will turn off.

Mode button

- Press the mode button to switch between Auto and Continuous modes.
- Press once to switch between modes, the corresponding indicator will light up.
- Long press the mode button to select night mode.

Auto Mode:

- When the set ambient humidity is higher than 3%, the fan and compressor will start to operate as set.
- When the set ambient humidity is lower than 3%, the compressor will stop working and the fan will stop working after 30 seconds.
- Both fan speed and humidity can be adjusted in automatic mode.
- After adjusting the humidity, the digital display will return to showing the ambient humidity.

Continuous Mode:

- In this mode the device will operate continuously without being affected by ambient humidity.
- The fan speed is adjustable but the humidity setting cannot be adjusted.

Night Mode:

- Access night mode by long pressing the mode button. In night mode, if no operation is performed within 10 seconds, the power indicator and mode indicator will gradually dim, and the other indicators and digital display will turn off.
- Press any button to restore normal display.
- The other functions are the same as in the automatic dehumidification mode.
- In night mode, if there is a fault the code will not be displayed.
- Wind speed and humidity can be adjusted in this mode.
- When the water tank is full, the machine will not sound an alarm, but the full tank indicator light will turn on to remind you that the water tank is full and needs to be emptied.

Settings button

- Press this setting button to adjust the humidity (30-80%) or time (1-24h).
- Press the adjustment button once to adjust the humidity.
- Humidity adjustment follows the following order:
30%-35%-40%-45%-50%-55%-60%-65%-70%-75%-80%-30%.
- To adjust the time, press once to add a 1-hour time value.
- The timing follows the following order:
00-01-02-03-04-05-06-07-08-09-10-11-12-13-14-15-16-17-18-19-20-21-22-23-24-00.

Timer button

- Press the timer key to set the time, check the time, or cancel it.
- In the non-timing state: Press the timing key to enter the timing setting state. The digital display will flash to show the timing time. While the digital display is flashing, press the setting key to set the timing time (0~24h).
- In the timing state: Press the timing key, the digital display will flash to show the remaining timing time. Press the timing key again while the digital display is flashing to cancel the timing.
- Long press this key to start network configuration or disconnect WIFI.

Gear button

- Press the button once to switch between low or high speed. The corresponding indicator will light up according to the selected speed.

Safety lock button

- Press and hold the lock button to activate or deactivate the safety lock function.

NOTICES

Full tank indicator:

- When the tank is full for 5 seconds, the warning alarm will be activated.
- The water tank indicator will illuminate, the display will show “FL” and the unit will beep 5 times.
- The signal will be detected for 5 seconds after water is drained when the water tank is put back, run according to the setting status before the water is full. Comply with the 3-minute delay compressor protection.

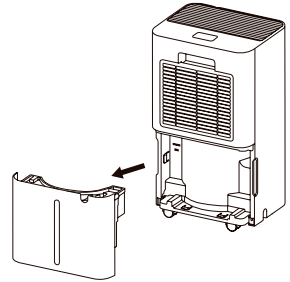
Indicator lights:

- Blue indicator light: The ambient humidity is equal to or less than 45%.
- Green indicator light: The ambient humidity is between 45 and 65%.
- Red indicator light: The ambient humidity is equal to or greater than 65%.

DRAINAGE

Emptying the water tank.

- When the tank is full, the device will buzz, the full tank icon will light up, and “FL” will appear on the screen.
- Pull out the water tank and simply slide it out of the dehumidifier body.
- Empty the water into a drain or outside.
- Clean both the inside and outside of the tank.
- Replace the empty tank in the unit.
- If the full water light does not turn off, check that the water tank is correctly positioned.

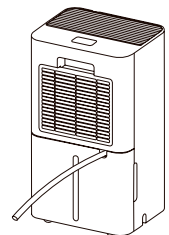


Caution!

- Do not discard the water tank magnets or plastic rivets. Otherwise, the machine will not stop working automatically when the water tank is full, and the condensed water will overflow and damage the floor of the room.
- Be sure to clean the condensed water in the water tank before restoring the machine to working mode.
- If the water tank is dirty, rinse it with clean water. Avoid using detergents, steel balls, chemical dust removers, diesel fuel, benzene, thinners, or other solvents. Otherwise, the water tank will be damaged and leak.
- Replace the empty tank in the unit. Otherwise, the full water indicator may remain red and the machine will not be able to operate again.

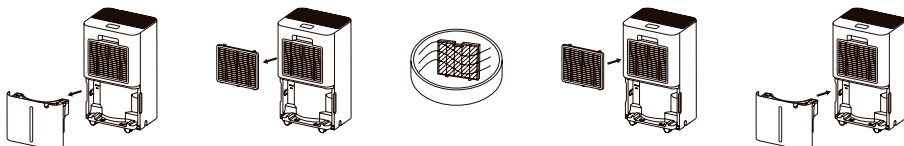
Continuous drainage.

- Do not block the drain or drainage pipe, as this will allow the condensed water to flow into the water tank.
- Do not bend the drain pipe. The height of the drain pipe must be lower than that of the outlet.
- The drain pipe must be properly connected to the outlet.



CLEANING AND MAINTENANCE

- Before cleaning and maintaining the appliance, be sure to turn it off and unplug it to avoid electric shock.
- Dust accumulates on the filter and restricts airflow. Restricted airflow reduces system efficiency and if blocked can cause damage to the unit.
- The air filter requires periodic cleaning. The air filter is removable for easy cleaning. Do not operate the unit without an air filter, or the evaporator may become contaminated.
- It is recommended that the air filter be cleaned every two weeks.



1. Remove the water tank from the body, then remove the filter from the bottom of the rear casing.
2. Use a vacuum cleaner to gently remove dust from the surface.
3. If the filter is very dirty, wash it with water and a mild detergent and dry it thoroughly afterwards.
4. Then replace the filter.

WIFI CONNECTION



- The CREATE HOME app is available for both Android and iOS (search for the app on Google Play or the App Store or scan the QR code). Depending on the provider, there may be costs involved in downloading the app.
- With the app you can control the device through your home network. A prerequisite is a permanent Wi-Fi connection to your router and the free CREATE HOME app.

- We recommend disconnecting the appliance from the power supply when you are away from home to prevent it from being switched on accidentally while you are away.

Download the app and configure Wi-Fi

1. Scan the QR code to download and install the app on your device.
2. Open the app and log in if you have an account. If you don't have one, select "New User" to register and log in.
3. Make sure you are connected to your WIFI network. Some routers offer two default networks: 5G and 2.4G. If so, connect via the 2.4G network as 5G networks are not supported.
4. Turn on your device and in the APP, click the "Add a device" button and select the corresponding dehumidifier family. Place the device at a maximum distance of 5 meters from your router.
5. Press and hold the "Timer" button to start network setup, when the WIFI indicator flashes, you can connect WIFI. After 3 minutes, the status will be canceled if there is no network configuration, and the indicator light will turn off. If you need to reconnect to Wi-Fi, long press the "Timer" button to restart the network setup, and the Wi-Fi indicator will flash again.
6. In the app, press "Next." Wait for your robot vacuum to finish pairing. Click "Finish" and start enjoying your dehumidifier.

TROUBLESHOOTING

- Before contacting a professional service center, review the troubleshooting checklist for common issues that are not the result of a manufacturing or materials defect.

PROBLEM	CAUSE	SOLUTION
The device does not work.	• There is no electricity supply.	• Plug the dehumidifier into a working electrical outlet and turn it on.
	• The full water indicator flashes.	• Empty the water tank and replace it. • Check that the tank is properly positioned, if not, position it correctly.
	• The ambient temperature is less than 5°C or greater than 35°C.	• This appliance has a protection system designed to protect the unit. If the ambient temperature is lower than 5°C or higher than 35°C the device will not operate.
Malfunction in the device.	• The air filter is clogged.	• Clean the air filter.
	• The intake duct or discharge duct is clogged.	• Remove the obstruction from the discharge duct and/or intake duct.
There is no air inlet into the device.	• The air filter is clogged.	• Clean the air filter.
The device makes a loud noise when operating.	• The dehumidifier is not placed in the correct location.	• Place the dehumidifier on the floor, in a location suitable for operation.
	• The filter is clogged.	• Clean the air filter.
FL Message	• The water tank is full.	• Empty the water tank.
E1/E2 Message	• There is a problem with the sensor.	• Change the sensor.



In compliance with Directives: 2012/19/EU and 2015/863/EU on the restriction of the use of dangerous substances in electric and electronic equipment as well as their waste disposal. The symbol with the crossed dustbin shown on the package indicates that the product at the end of its service life shall be collected as separate waste. Therefore, any products that have reached the end of their useful life must be given to waste disposal centres specialising in separate collection of waste electrical and electronic equipment, or given back to the retailer at the time of purchasing new similar equipment, on a one for one basis. The adequate separate collection for the subsequent start-up of the equipment sent to be recycled, treated and disposed of in an environmentally compatible way contributes to preventing possible negative effects on the environment and health and optimises the recycling and reuse of components making up the apparatus. Abusive disposal of the product by the user involves application of the administrative sanctions according to the laws.

Muchas gracias por elegir nuestro deshumidificador. Antes de usar este aparato, lea detenidamente estas instrucciones para su correcta utilización.

Las precauciones de seguridad incluidas reducirán el riesgo de lesiones, descarga eléctrica o incluso la muerte si se respetan estrictamente. Guarde este manual en un lugar seguro para consultarlo en el futuro, junto con el embalaje original del producto y el justificante de compra. Si es posible, entregue estas instrucciones al siguiente propietario del electrodoméstico. Respete en todo momento las precauciones de seguridad básicas y las normas de prevención de accidentes cuando utilice un electrodoméstico. La empresa declina toda responsabilidad derivada del incumplimiento de estas instrucciones por parte del cliente.

PRECAUCIONES DE SEGURIDAD

Antes de usar cualquier aparato eléctrico, se deben observar siempre las precauciones básicas de seguridad.

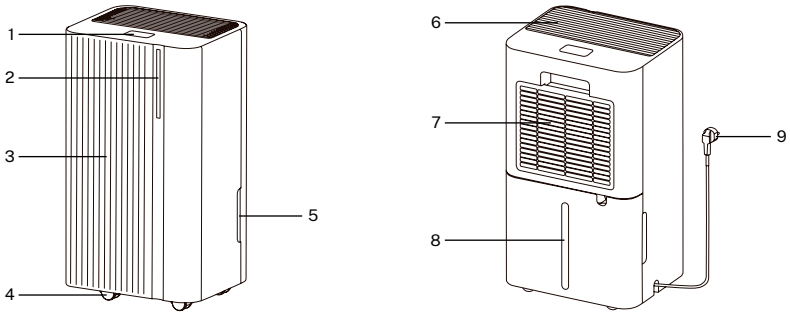
- Este aparato puede ser utilizado por niños a partir de 8 años y por personas con capacidades físicas, sensoriales o mentales reducidas o con falta de experiencia y conocimientos, si han recibido supervisión o instrucciones sobre el uso del aparato de forma segura y comprenden los peligros que conlleva.
- Los niños no deben jugar con el aparato. La limpieza y el mantenimiento no deben ser realizados por niños.
- La unidad está diseñada únicamente para su uso con gas R-290 (propano) como refrigerante designado.
- El circuito de refrigerante está sellado. Sólo un técnico cualificado debe realizar el mantenimiento.
- El R-290 (propano) es inflamable y más pesado que el aire. Se acumula primero en las zonas bajas, pero puede circular gracias a los ventiladores. Si hay gas propano o incluso se sospecha que lo hay, no permita que personal sin formación intente encontrar la causa.
- El gas propano utilizado en la unidad no tiene olor. La falta de olor no indica que no haya escapes de gas. Si se detecta una fuga, evacue inmediatamente a todas las personas de la estancia, ventile la habitación y póngase en contacto con los bomberos locales para informarles de que se ha producido una fuga de propano. No permita que ninguna persona vuelva a entrar en la habitación hasta que haya llegado el técnico de servicio cualificado y éste le indique que es seguro volver a la tienda.
- No deben utilizarse llamas abiertas, cigarrillos u otras posibles fuentes de ignición en el interior o en las proximidades de las unidades.
- Los componentes están diseñados para propano y no producen chispas. Las piezas componentes solo se sustituirán por piezas de reparación idénticas y por personal cualificado.
- El incumplimiento de estas advertencias puede provocar una explosión, daños materiales, lesiones e incluso la muerte.

- Si el cable de alimentación está dañado, debe ser sustituido por el fabricante, su agente de servicio o personas con cualificación similar con el fin de evitar un peligro.
- Desconecte siempre el aparato de su fuente de alimentación durante su mantenimiento.
- Utilice siempre el aparato con una fuente de alimentación de igual tensión, frecuencia y potencia que las indicadas en la placa de identificación del producto.
- Utilice siempre una toma de corriente con conexión a tierra.
- Desenchufe el cable de alimentación cuando lo limpie o no lo utilice.
- No utilice el aparato con las manos mojadas. Evite que caiga agua sobre el aparato.
- No sumerja ni exponga el aparato a la lluvia, la humedad o cualquier otro líquido.
- No deje el aparato en marcha sin vigilancia. No incline ni gire el aparato.
- No desenchufe el aparato mientras esté en funcionamiento.
- No desenchufe el aparato tirando del cable de alimentación.
- No utilice adaptadores ni alargadores.
- No coloque objetos sobre la unidad, ni se suba o se siente sobre el aparato.
- No introduzca los dedos ni otros objetos en la salida de aire.
- No toque la entrada de aire ni las aletas de aluminio de la unidad.
- No utilice la unidad si se ha caído, está dañada o muestra signos de mal funcionamiento del producto.
- No limpie el aparato con productos químicos.
- Asegúrese de que el aparato está lejos del fuego y de objetos inflamables o explosivos.
- La unidad debe instalarse de acuerdo con la normativa nacional sobre cableado.
- No utilice medios para acelerar el proceso de descongelación o para limpiar el producto, distintos de los recomendados por el fabricante.
- El aparato debe almacenarse en una habitación sin fuentes de funcionamiento continuo (por ejemplo: llamas abiertas, un aparato de gas en funcionamiento o un calentador eléctrico en funcionamiento).
- El aparato debe almacenarse de forma que no se produzcan daños mecánicos.
- No lo trocee ni queme el aparato, ni siquiera después de utilizarlo.
- Tenga en cuenta que los refrigerantes pueden no contener olor.
- Las tuberías deberán protegerse de daños físicos y no deberán instalarse en un espacio sin ventilación, si dicho espacio es inferior a 4 m².
- Deberá respetarse siempre la normativa nacional sobre gases.
- Mantenga las aberturas de ventilación necesarias libres de obstrucciones.
- El aparato debe almacenarse en un área bien ventilada donde el tamaño de la habitación corresponda al área de la habitación especificada para el funcionamiento.

- Toda persona que trabaje o intervenga en un circuito de refrigerante debe estar en posesión de un certificado válido de una autoridad de evaluación acreditada por la industria, que autorice su competencia para manipular refrigerantes de forma segura de acuerdo con una especificación de evaluación reconocida por la industria.
- El mantenimiento sólo se realizará según las recomendaciones del fabricante del equipo. El mantenimiento y la reparación que requieran la asistencia de otro personal cualificado se realizarán bajo la supervisión de la persona competente en el uso de refrigerantes inflamables.
- Si no entiende algo o necesita ayuda, póngase en contacto con el servicio de atención al cliente.
- Comprobaciones de la zona: Antes de empezar a trabajar en sistemas que contienen refrigerantes inflamables, es necesario realizar comprobaciones de seguridad para garantizar que se minimiza el riesgo de ignición. Para la reparación del sistema de refrigeración, deberán cumplirse las precauciones básicas antes de realizar trabajos en el sistema.
- Procedimiento de trabajo: Los trabajos se realizarán bajo un procedimiento controlado de forma que se minimice el riesgo de presencia de un gas o vapor inflamable durante la realización de los mismos.
- Área de trabajo general: Todo el personal de mantenimiento y otras personas que trabajen en el mantenimiento deberán recibir instrucciones sobre la naturaleza del trabajo que se está llevando a cabo. Se evitará trabajar en espacios confinados. Se delimitará la zona de trabajo. Se garantizará que las condiciones dentro de la zona sean seguras mediante el control del material inflamable.
- Comprobación de la presencia de refrigerante: Se comprobará la zona con un detector de refrigerante adecuado antes y durante el trabajo, para garantizar que el técnico es consciente de la existencia de atmósferas potencialmente inflamables. Asegúrese de que el equipo de detección de fugas utilizado es adecuado para su uso con refrigerantes inflamables, es decir, que no produce chispas, está adecuadamente sellado o es intrínsecamente seguro.
- Presencia de extintor de incendios: Si se va a realizar algún trabajo en caliente en el equipo de refrigeración o en cualquiera de sus partes asociadas, se dispondrá a mano del equipo de extinción de incendios adecuado. Disponga de un extintor de polvo seco o CO₂ junto a la zona de carga.
- Ninguna fuente de ignición: Ninguna persona que lleve a cabo trabajos relacionados con un sistema de refrigeración que impliquen la exposición de tuberías que contengan o hayan contenido refrigerante inflamable utilizará fuentes de ignición de tal forma que pueda producirse un riesgo de incendio o explosión. Todas las posibles fuentes de ignición, incluido el consumo de cigarrillos, deben mantenerse suficientemente alejadas del lugar de instalación, reparación, desmontaje y eliminación, durante las cuales es posible que se libere refrigerante inflamable al espacio circundante. Antes de iniciar los trabajos, debe inspeccionarse la zona alrededor del equipo para asegurarse de que no existen peligros inflamables ni riesgos de ignición.

- Zona ventilada: Asegúrese de que la zona está al aire libre o de que está adecuadamente ventilada antes de irrumpir en el sistema o realizar cualquier trabajo en caliente. Deberá mantenerse cierto grado de ventilación durante el periodo en que se realicen los trabajos. La ventilación debe dispersar de forma segura cualquier refrigerante liberado y, preferiblemente, expulsarlo externamente a la atmósfera.
- Comprobaciones del equipo de refrigeración: Cuando se cambien componentes eléctricos, éstos deberán ser adecuados para el fin previsto y cumplir las especificaciones correctas. Se seguirán en todo momento las directrices de mantenimiento y servicio del fabricante. En caso de duda, consulte al departamento técnico del fabricante.
- Las siguientes comprobaciones se aplicarán a las instalaciones que utilicen refrigerantes inflamables:
 - El tamaño de la carga está en función del tamaño de la sala en la que se instalan las piezas que contienen refrigerante.
 - La maquinaria de ventilación y las salidas funcionan adecuadamente y no están obstruidas.
 - Si se utiliza un circuito de refrigeración indirecto, se comprobará la presencia de refrigerante en el circuito secundario.
 - El marcado del equipo sigue siendo visible y legible. Las marcas y señales que sean ilegibles deberán corregirse.
 - Las tuberías o componentes de refrigeración están instalados en una posición en la que es improbable que queden expuestos a cualquier sustancia que pueda corroer los componentes que contienen refrigerante, a menos que los componentes estén fabricados con materiales que sean intrínsecamente resistentes a la corrosión o estén protegidos adecuadamente contra dicha corrosión.
- Comprobaciones de los dispositivos eléctricos: La reparación y el mantenimiento de los componentes eléctricos incluirán comprobaciones iniciales de seguridad y procedimientos de inspección de los componentes. Si existe un fallo que pueda comprometer la seguridad, no se conectará ningún suministro eléctrico al circuito hasta que se solucione satisfactoriamente. Si el fallo no puede corregirse inmediatamente pero es necesario continuar el funcionamiento, se utilizará una solución temporal adecuada. Se informará de ello al propietario del equipo para que todas las partes estén informadas.
- Las comprobaciones iniciales de seguridad incluirán:
 - Que se descarguen los condensadores: esto se hará de forma segura para evitar la posibilidad de que se produzcan chispas.
 - Que no queden expuestos componentes eléctricos y cableado bajo tensión mientras se carga, recupera o purga el sistema.
 - Que haya continuidad de la conexión a tierra.

LISTADO DE PARTES



- | | | |
|--|---------------------|--------------------------|
| 1. Panel de control y pantalla digital | 4. Ruedas | 7. Filtro de aire |
| 2. Pantalla luminosa | 5. Deposito de agua | 8. Indicador nivel agua |
| 3. Panel frontal | 6. Salida de aire | 9. Cable de alimentación |

MANEJO SEGURO DEL APARATO

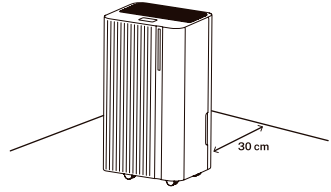
- Compruebe que el aparato no presenta daños ni arañazos después de desembalarlo.
- No lo utilice al aire libre. Este deshumidificador está diseñado únicamente para estancias residenciales en interiores.
- Si se inclina más de 45°, deje que el aparato se ponga en posición vertical durante al menos 24 horas antes de ponerlo en marcha.
- Mantenga las puertas y ventanas de la estancia cerradas para un mejor ahorro de energía.
- No utilice ni almacene el aparato bajo la luz directa del sol o la lluvia.
- Es normal que la salida de aire se sienta caliente al tacto después de un funcionamiento continuo en días calurosos.
- Vacíe el depósito de agua antes de mover el aparato.
- Asegúrese de que el depósito de agua está correctamente colocado, de lo contrario el aparato no funcionará.
- El deshumidificador arranca en el modo seleccionado la última vez que se utilizó el aparato.
- El deshumidificador comienza a deshumidificar si la humedad de la habitación es un 3% superior a la humedad seleccionada.
- El compresor tiene un retardo de protección de 3 minutos. Espere 3 minutos para que el deshumidificador reanude la deshumidificación.
- No lo haga funcionar cerca de paredes, cortinas u otros objetos que puedan bloquear la entrada y la salida del aire. Mantenga la entrada y la salida de aire libre de obstáculos.
- Ajuste el deflector de viento en dirección ascendente antes de la puesta en marcha.

Temperatura de funcionamiento:

- Utilice este aparato a una temperatura ambiente de entre 5°C y 35°C.
- Cuando la temperatura ambiente es inferior o superior a la temperatura de funcionamiento, el deshumidificador se parará.
- Cuando la temperatura ambiente oscila entre 5°C y 16°C, el compresor descongela automáticamente en intervalos, durante el descongelamiento, el compresor se detendrá y el ventilador seguirá funcionando.

INSTALACIÓN

- Coloque la unidad sobre una superficie firme y nivelada en un área con al menos 30 cm de espacio libre a su alrededor para permitir una circulación de aire adecuada.
- Nunca instale la unidad donde pueda estar sujeta a fuentes de calor como radiadores, rejillas de calefacción, estufas u otros productos que produzcan calor, en una zona donde puedan salpicar aceite o agua, luz solar directa, vibraciones mecánicas o golpes, polvo excesivo, falta de ventilación, como en un armario o estantería, superficies irregulares, ...
- Instale la unidad en habitaciones que superen los 4 m².
- No instale la unidad en un lugar donde puedan producirse fugas de gas inflamable.



PANEL DE CONTROL



Botón de encendido

- Pulse el botón de encendido para encender el aparato, el indicador luminoso se iluminará, la velocidad predeterminada del ventilador será alta y el ajuste predeterminado de humedad será del 50%.
- Cuando el aparato esté funcionando, pulse el botón de encendido para apagarlo, la luz indicadora de funcionamiento se apagará y el compresor se detendrá inmediatamente. Pasados 30 segundos del apagado el ventilador se apagará.

Botón de modos

- Pulse el botón de modos para cambiar entre los modos Auto y Continuo.
- Pulse una vez para cambiar de un modo a otro, se encenderá el indicador correspondiente.
- Pulse prolongadamente el botón de modo para elegir el modo noche.

Modo Auto:

- Cuando la humedad ambiente ajustada es superior al 3%, el ventilador y el compresor comenzarán a funcionar según lo ajustado.
- Cuando la humedad ambiente ajustada es inferior 3%, el compresor dejará de funcionar y el ventilador dejará de funcionar pasados de 30 segundos.
- Tanto la velocidad del ventilador como la humedad pueden ajustarse en modo automático.
- Después de ajustar la humedad, la pantalla digital volverá a mostrar la humedad ambiente.

Modo Continuo:

- Con este modo el aparato funcionará continuamente sin verse afectado por la humedad ambiente.
- La velocidad del ventilador es ajustable pero el ajuste de humedad no se puede ajustar.

Modo Noche:

- Acceda al modo noche pulsando prolongadamente el botón de modo. Con el modo noche, si no se realiza ninguna operación en 10 segundos, el indicador de encendido y el indicador de modos se oscurecerán gradualmente, y los demás indicadores y la pantalla digital se apagarán.
- Pulse cualquier botón para restablecer la visualización normal.
- Las demás funciones son las mismas que en el modo de deshumidificación automática.
- En el modo noche, si existe algún fallo el código no se mostrará.
- La velocidad del viento y la humedad pueden ser ajustadas en este modo.
- Cuando el depósito de agua esté lleno, la máquina no emitirá ninguna alarma, pero el indicador luminoso de depósito de lleno se encenderá para recordarle que el depósito de agua está lleno y que debe vaciarlo.

Botón de ajustes

- Pulse este botón de ajustes para ajustar la humedad (30-80%) o el tiempo (1-24h).
- Pulse una vez el botón de ajuste para ajustar la humedad.
- El ajuste de humedad sigue el siguiente orden:
30%-35%-40%-45%-50%-55%-60%-65%-70%-75%-80%-30%.
- Para ajustar el tiempo, pulse una vez para añadir un valor de temporización de 1 hora.
- La temporización sigue el orden siguiente:
00-01-02-03-04-05-06-07-08-09-10-11-12-13-14-15-16-17-18-19-20-21-22-23-24-00.

Botón de temporizador

- Pulse la tecla de temporizador para ajustar la temporización, comprobar la temporización o cancelarla.
- En el estado sin temporización: Pulse la tecla de temporización para entrar en el estado de ajuste de la temporización. La pantalla digital parpadeará para mostrar el tiempo de temporización. Mientras la pantalla digital parpadea, pulse la tecla de ajuste para ajustar el tiempo de temporización (0 ~ 24h).
- En el estado de temporización: Pulse la tecla de temporización, la pantalla digital parpadeará para mostrar el tiempo de temporización restante. Pulse de nuevo la tecla de temporización mientras la pantalla digital parpadea para cancelar la temporización.
- Pulse prolongadamente esta tecla para iniciar la configuración de la red o desconectar el WIFI.

Botón de velocidades

- Pulse el botón una vez para cambiar entre velocidad baja o alta. Se encenderá el indicador correspondiente según la velocidad seleccionada.

Botón de bloqueo de seguridad

- Mantenga pulsado el botón de bloqueo para activar o desactivar la función de bloqueo de seguridad.

AVISOS

Indicador de tanque lleno:

- Cuando el depósito esté lleno durante 5 segundos, se activará la alarma de aviso.
- El indicador del depósito de agua se iluminará, la pantalla mostrará "FL" y la unidad emitirá 5 pitidos.
- La señal se detectará durante 5 segundos después del drenaje del agua cuando se pone el tanque de agua de nuevo, ejecute de acuerdo con el estado de ajuste antes de que el agua esté llena. Cumpla con la protección del compresor de retardo de 3 minutos.

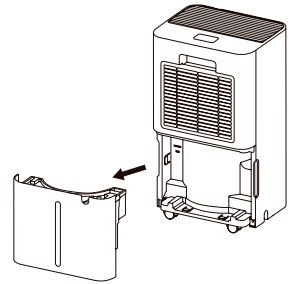
Indicadores luminosos:

- Indicador luminoso azul: La humedad ambiente es igual o inferior al 45%.
- Indicador luminoso verde: La humedad ambiente es entre 45 y 65%.
- Indicador luminoso rojo: La humedad ambiente es igual o superior al 65%.

DRENAJE

Vaciado del depósito de agua.

- Cuando el depósito esta lleno, el aparato emite un zumbido, se encenderá el icono de deposito lleno, en la pantalla se mostrará "FL".
- Tire del depósito de agua y simplemente deslícelo fuera del cuerpo del deshumidificador.
- Vacíe el agua en una zona con desagüe o en el exterior.
- Limpie tanto el interior del depósito como el exterior.
- Vuelva a colocar el depósito vacío en la unidad.
- Si la luz de agua llena no se apaga, compruebe que el tanque de agua está correctamente colocado.

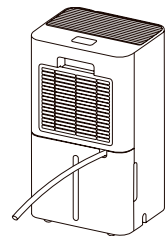


¡Precaución!

- No deseche los imanes del depósito de agua ni los remaches de plástico. De lo contrario, la máquina no dejará de funcionar automáticamente cuando el depósito de agua esté lleno, y el agua condensada rebosará y dañará el suelo de la habitación.
- Asegúrese de limpiar el agua condensada en el depósito de agua antes de restablecer el modo de trabajo de la máquina.
- Si el depósito de agua está sucio, enjuáguelo con agua limpia. Evite utilizar detergentes, bolas de acero, eliminadores de polvo químicos, gasoil, benceno, diluyentes u otros disolventes. De lo contrario, el depósito de agua se dañará y presentará fugas
- Vuelva a colocar el depósito vacío en la unidad. De lo contrario, el indicador de agua llena puede permanecer en rojo y la máquina no podrá volver a funcionar.

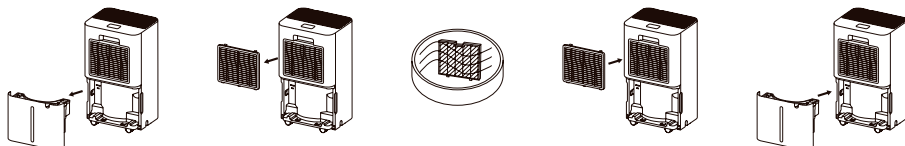
Drenaje continuo.

- No bloquee el desagüe o la tubería de drenaje, de esta manera, el agua condensada fluirá en el tanque de agua.
- No doble el tubo de desagüe. La altura del tubo de desagüe debe ser inferior a la de la salida.
- El tubo de desagüe deberá estar bien conectado a la salida.



LIMPIEZA Y MANTENIMIENTO

- Antes de limpiar y realizar el mantenimiento del aparato, asegúrese de apagarlo y desenchufarlo para evitar descargas eléctricas.
- El polvo se acumula en el filtro y restringe el flujo de aire. El flujo de aire restringido reduce la eficiencia del sistema y si se bloquea puede causar daños a la unidad.
- El filtro de aire requiere una limpieza periódica. El filtro de aire es extraíble para facilitar su limpieza. No utilice la unidad sin un filtro de aire, o el evaporador podría contaminarse.
- Se recomienda que se realice la limpieza del filtro del aire cada dos semanas.



1. Saque el depósito de agua del cuerpo y, a continuación, extraiga el filtro de la parte inferior de la carcasa trasera.
2. Utilice un aspirador para absorber suavemente el polvo de la superficie.
3. Si el filtro está muy sucio, lávelo con agua y un detergente suave y séquelo bien después.
4. Posteriormente vuelva a colocar el filtro.

CONEXIÓN WIFI



- La aplicación CREATE HOME está disponible tanto para Android como para iOS (busque la aplicación en Google Play o APP Store o escanee el código QR). Dependiendo del proveedor, puede haber costos involucrados en la descarga de la aplicación.
- Con la aplicación podrá manejar el dispositivo a través de su red doméstica. Un requisito previo es una conexión WIFI permanente a su router y la aplicación gratuita CREATE HOME.

- Recomendamos desconectar el aparato de la fuente de alimentación cuando esté fuera de casa para evitar un encendido involuntario mientras está fuera.

Descarga de la APP y configuración del wifi

1. Escanee el código QR para descargar e instalar la APP en su dispositivo.
2. Abra la aplicación e inicie sesión si tiene una cuenta. Si no la tiene, seleccione “Nuevo usuario” para registrarse e inicie sesión.
3. Asegúrese de estar conectado a su red WIFI. Algunos routers ofrecen dos redes predefinidas 5G y 2,4G, de ser así, conéctese a través de la red 2,4G ya que las redes 5G no son compatibles.
4. Encienda su aparato y en la APP, haga clic en el botón “Agregar un dispositivo” y seleccione la familia correspondiente a un deshumidificador. Coloque el aparato a una distancia máxima de 5 metros de su router.
5. Mantenga pulsado el botón “Timer” para iniciar la configuración de red, cuando el indicador WIFI parpadee, podrá conectar el WIFI. Transcurridos 3 minutos, el estado se cancelará si no hay configuración de red, y el indicador luminoso se apagará. Si necesita volver a conectar el WIFI, pulse prolongadamente el botón “Temporizador” para iniciar de nuevo la configuración de red, el indicador WIFI volverá a parpadear.
6. En la aplicación, presione “Siguiente”. Espere a que su robot aspirador termine de emparejarse. Haga clic en “Finalizar” y comience a disfrutar de su deshumidificador.

SOLUCIÓN DE PROBLEMAS

- Antes de ponerse en contacto con un servicio técnico profesional, revise la lista de resolución de problemas que incluye incidencias comunes que no son el resultado de un defecto de fabricación o de los materiales.

PROBLEMA	CAUSA	SOLUCIÓN
El aparato no funciona.	• No hay suministro eléctrico.	• Conecte el deshumidificador a una toma de corriente que funcione y enciéndalo.
	• EL indicador de agua llena parpadea.	• Vacíe el depósito de agua y vuelva a colocarlo. • Compruebe que el depósito está bien colocado, si no es así colóquelo correctamente.
	• La temperatura ambiente es menor a 5°C o superior a 35°C.	• Este aparato cuenta con un sistema de protección diseñado para proteger la unidad. Si la temperatura ambiente es inferior a 5°C o superior a 35°C el aparato no podrá funcionar.
Mal funcionamiento en el aparato.	• El filtro de aire está obstruido.	• Limpie el filtro de aire.
	• El conducto de admisión o el conducto de descarga está obstruido.	• Retire la obstrucción del conducto de descarga y/o del conducto de admisión.
No existe entrada de aire en el aparato.	• El filtro de aire está obstruido.	• Limpie el filtro de aire.
EL aparato emite un ruido fuerte al funcionar.	• El deshumidificador no está colocado en el lugar adecuado.	• Coloque el deshumidificador en el suelo, en un lugar correcto para su funcionamiento.
	• El filtro está obstruido.	• Limpie el filtro de aire.
Mensaje FL	• El depósito de agua está lleno.	• Vacíe el depósito de agua.
Mensaje E1/E2	• Existe un problema el sensor.	• Cambie el sensor.



En cumplimiento de las directivas: 2012/19 / UE y 2015/863 / UE sobre la restricción del uso de sustancias peligrosas en equipos eléctricos y electrónicos, así como su eliminación de residuos. El símbolo con el cubo de basura cruzado que se muestra en el paquete indica que el producto al final de su vida útil se recogerá como residuo separado. Por lo tanto, cualquier producto que haya llegado al final de su vida útil debe entregarse a centros de eliminación de residuos especializados en la recogida selectiva de equipos eléctricos y electrónicos de desecho, o devolverse al minorista al momento de comprar equipos nuevos similares, en uno para Una base. La recolección separada adecuada para la posterior puesta en marcha de los equipos enviados para ser reciclados, tratados y eliminados de una manera compatible con el medio ambiente contribuye a prevenir posibles efectos negativos sobre el medio ambiente y la salud y optimiza el reciclaje y la reutilización de los componentes que componen el aparato. La eliminación abusiva del producto por parte del usuario implica la aplicación de las sanciones administrativas de acuerdo con las leyes.

Muito obrigado por escolher nosso desumidificador. Antes de utilizar este aparelho, leia atentamente estas instruções para uma utilização adequada.

As precauções de segurança incluídas reduzirão o risco de ferimentos, choques elétricos ou até mesmo morte se forem seguidas rigorosamente. Guarde este manual em local seguro para referência futura, juntamente com a embalagem original do produto e o comprovante de compra. Se possível, passe estas instruções ao próximo proprietário do aparelho. Siga sempre as precauções básicas de segurança e as regras de prevenção de acidentes ao usar um aparelho elétrico. A empresa declina qualquer responsabilidade decorrente do não cumprimento destas instruções pelo cliente.

PRECAUÇÕES DE SEGURANÇA

Antes de usar qualquer aparelho elétrico, precauções básicas de segurança devem sempre ser observadas.

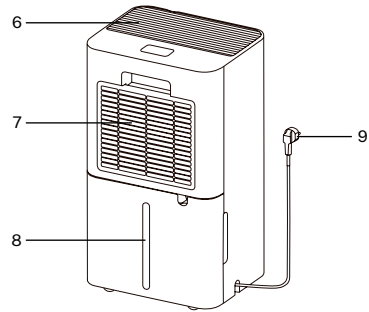
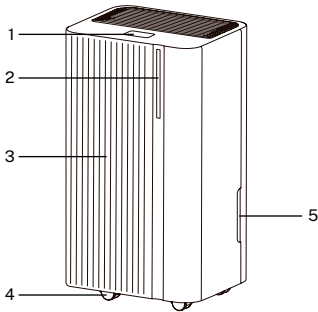
- Este aparelho pode ser usado por crianças com 8 anos ou mais e por pessoas com capacidades físicas, sensoriais ou mentais reduzidas ou com falta de experiência e conhecimento, desde que tenham recebido supervisão ou instruções sobre o uso do aparelho de forma segura e compreendam os perigos envolvidos.
- Crianças não devem brincar com o aparelho. A limpeza e a manutenção não devem ser realizadas por crianças.
- A unidade foi projetada para uso somente com gás R-290 (propano) como refrigerante designado.
- O circuito de refrigeração é selado. A manutenção deve ser realizada somente por um técnico qualificado.
- R-290 (propano) é inflamável e mais pesado que o ar. Ela se acumula primeiro nas áreas mais baixas, mas pode circular graças aos ventiladores. Se houver gás propano presente ou mesmo suspeitado, não permita que pessoal não treinado tente descobrir a causa.
- O gás propano usado na unidade é inodoro. A ausência de odor não indica que não haja vazamentos de gás. Se um vazamento for detectado, retire imediatamente todos do ambiente, ventile o ambiente e entre em contato com o corpo de bombeiros local para informá-los de que ocorreu um vazamento de propano. Não permita que ninguém entre novamente na sala até que um técnico de serviço qualificado chegue e lhe diga que é seguro retornar à loja.
- Não devem ser utilizadas chamas abertas, cigarros ou outras fontes potenciais de ignição dentro ou perto das unidades.
- Os componentes são projetados para propano e não produzem faíscas. As peças componentes só serão substituídas por peças de reposição idênticas e por pessoal qualificado.
- Não seguir esses avisos pode resultar em explosão, danos materiais, ferimentos ou até mesmo morte.

- Se o cabo de alimentação estiver danificado, ele deverá ser substituído pelo fabricante, seu agente de serviço ou pessoa igualmente qualificada para evitar riscos.
- Sempre desconecte o aparelho da fonte de energia durante a manutenção.
- Opere sempre o aparelho com uma fonte de alimentação com a mesma voltagem, frequência e potência indicadas na placa de identificação do produto.
- Utilize sempre uma tomada aterrada.
- Desconecte o cabo de alimentação quando estiver limpando ou não estiver em uso.
- Não utilize o aparelho com as mãos molhadas. Evite que caia água sobre o aparelho.
- Não mergulhe nem exponha o dispositivo à chuva, umidade ou qualquer outro líquido.
- Não deixe o aparelho ligado sem supervisão. Não incline nem gire o aparelho.
- Não desligue o aparelho da tomada enquanto ele estiver em uso.
- Não desligue o aparelho puxando pelo cabo de alimentação.
- Não utilize adaptadores ou extensões.
- Não coloque objetos em cima da unidade, nem fique de pé ou sentado nela.
- Não insira os dedos ou outros objetos na saída de ar.
- Não toque na entrada de ar ou nas aletas de alumínio da unidade.
- Não utilize a unidade se ela tiver caído, estiver danificada ou apresentar sinais de mau funcionamento.
- Não limpe o aparelho com produtos químicos.
- Certifique-se de que o aparelho esteja longe de fogo e objetos inflamáveis ou explosivos.
- A unidade deve ser instalada de acordo com os regulamentos nacionais de fiação.
- Não utilize nenhum meio para acelerar o processo de descongelamento ou para limpar o produto além daqueles recomendados pelo fabricante.
- O aparelho deve ser armazenado em um ambiente sem fontes de operação contínua (por exemplo: chamas abertas, um aparelho a gás em funcionamento ou um aquecedor elétrico em funcionamento).
- O dispositivo deve ser armazenado de forma que não ocorram danos mecânicos.
- Não corte nem queime o aparelho, mesmo após o uso.
- Observe que os refrigerantes não podem conter nenhum odor.
- Os canos devem ser protegidos contra danos físicos e não devem ser instalados em locais sem ventilação se o espaço for inferior a 4 m².
- As regulamentações nacionais de gás devem ser sempre observadas.
- Mantenha as aberturas de ventilação necessárias livres de obstruções.
- O aparelho deve ser armazenado em uma área bem ventilada, onde o tamanho do ambiente corresponda à área especificada para operação.

- Qualquer pessoa que trabalhe ou intervenha em um circuito de refrigerante deve ter um certificado válido de uma autoridade de avaliação credenciada pelo setor, certificando sua competência para manusear refrigerantes com segurança, de acordo com uma especificação de avaliação reconhecida pelo setor.
- A manutenção será realizada somente de acordo com as recomendações do fabricante do equipamento. A manutenção e os reparos que exigem a assistência de outro pessoal qualificado devem ser realizados sob a supervisão de uma pessoa competente no uso de refrigerantes inflamáveis.
- Se você não entender alguma coisa ou precisar de ajuda, entre em contato com o atendimento ao cliente.
- Verificações de área: Antes de iniciar o trabalho em sistemas que contêm refrigerantes inflamáveis, verificações de segurança devem ser realizadas para garantir que o risco de ignição seja minimizado. Para reparo do sistema de arrefecimento, precauções básicas devem ser seguidas antes de executar qualquer trabalho no sistema.
- Procedimento de trabalho: O trabalho será realizado sob um procedimento controlado para minimizar o risco da presença de gás ou vapor inflamável durante o trabalho.
- Área de trabalho geral: Todo o pessoal de manutenção e outras pessoas trabalhando na manutenção devem ser instruídas sobre a natureza do trabalho que está sendo realizado. Será evitado trabalhar em espaços confinados. A área de trabalho será delimitada. As condições na área serão garantidas por meio do controle de materiais inflamáveis.
- Verificação da presença de líquido de arrefecimento: A área será verificada com um detector de refrigerante adequado antes e durante o trabalho para garantir que o técnico esteja ciente de atmosferas potencialmente inflamáveis. Certifique-se de que o equipamento de detecção de vazamentos utilizado seja adequado para uso com refrigerantes inflamáveis, ou seja, não produza faíscas, seja adequadamente selado ou intrinsecamente seguro.
- Presença de extintor de incêndio: Se qualquer trabalho a quente tiver que ser realizado no equipamento de refrigeração ou em qualquer uma de suas peças associadas, equipamentos adequados de extinção de incêndio deverão estar prontamente disponíveis. Tenha um extintor de pó químico seco ou de CO₂ próximo à área de carga.
- Nenhuma fonte de ignição: Nenhuma pessoa que esteja realizando trabalho relacionado a um sistema de refrigeração que envolva a exposição de tubulações contendo ou tendo contido refrigerante inflamável deve usar fontes de ignição de forma que possa ocorrer risco de incêndio ou explosão. Todas as potenciais fontes de ignição, incluindo o fumo de cigarro, devem ser mantidas suficientemente longe do local de instalação, reparo, desmontagem e descarte, durante o qual o refrigerante inflamável pode ser liberado no espaço ao redor. Antes de iniciar o trabalho, a área ao redor do equipamento deve ser inspecionada para garantir que não haja riscos de inflamáveis ou de ignição.

- **Área ventilada:** Certifique-se de que a área esteja ao ar livre ou adequadamente ventilada antes de invadir o sistema ou executar qualquer trabalho com calor. Um certo grau de ventilação deve ser mantido durante o período em que o trabalho é realizado. A ventilação deve dispersar com segurança qualquer refrigerante liberado e, de preferência, expeli-lo externamente para a atmosfera.
- **Verificações de equipamentos de refrigeração:** Ao substituir componentes elétricos, eles devem ser adequados à finalidade pretendida e atender às especificações corretas. As diretrizes de manutenção e serviço do fabricante serão seguidas o tempo todo. Em caso de dúvidas, consulte o departamento técnico do fabricante.
- **As seguintes verificações devem ser aplicadas às instalações que utilizam refrigerantes inflamáveis:**
 - O tamanho da carga depende do tamanho do ambiente em que as peças que contêm refrigerante estão instaladas.
 - Os equipamentos de ventilação e as saídas estão funcionando corretamente e não estão obstruídos.
 - Se for utilizado um circuito de resfriamento indireto, a presença de refrigerante no circuito secundário será verificada.
 - A marcação do equipamento permanece visível e legível. Marcações e placas ilegíveis devem ser corrigidas.
 - Tubulações ou componentes de refrigeração são instalados em uma posição onde é improvável que sejam expostos a qualquer substância que possa corroer componentes que contenham refrigerante, a menos que os componentes sejam feitos de materiais intrinsecamente resistentes à corrosão ou estejam adequadamente protegidos contra tal corrosão.
- **Verificação de dispositivos elétricos:** O reparo e a manutenção de componentes elétricos incluirão verificações iniciais de segurança e procedimentos de inspeção de componentes. Caso ocorra alguma falha que possa comprometer a segurança, nenhuma alimentação elétrica será conectada ao circuito até que ela seja resolvida satisfatoriamente. Se a falha não puder ser corrigida imediatamente, mas for necessária a operação contínua, uma solução temporária adequada deverá ser usada. O proprietário do equipamento será informado para que todas as partes sejam informadas.
- **As verificações de segurança iniciais incluirão:**
 - Descarregue os capacitores: Isso será feito com segurança para evitar a possibilidade de faíscas.
 - Não exponha componentes elétricos e fiação energizados durante o carregamento, recuperação ou purga do sistema.
 - Garanta a continuidade do aterramento.

LISTA DE PEÇAS



1. Painel de controle e display digital
2. Tela luminosa
3. Painel frontal

4. Rodas
5. Tanque de água
6. Saída de ar

7. Filtro de ar
8. Indicador do nível de água
9. Cabo de alimentação

MANUSEIO SEGURO DO DISPOSITIVO

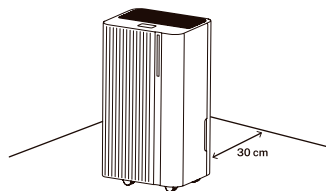
- Após desembalar o aparelho, verifique se há danos ou arranhões.
- Não utilizar ao ar livre. Este desumidificador foi projetado somente para uso residencial interno.
- Se inclinado mais de 45°, deixe o aparelho em pé por pelo menos 24 horas antes de operá-lo.
- Mantenha as portas e janelas do ambiente fechadas para maior economia de energia.
- Não utilize nem guarde o aparelho exposto à luz solar direta ou à chuva.
- É normal que a saída de ar fique quente ao toque após operação contínua em dias quentes.
- Esvazie o reservatório de água antes de mover o aparelho.
- Certifique-se de que o reservatório de água esteja posicionado corretamente, caso contrário o aparelho não funcionará.
- O desumidificador inicia no modo selecionado na última vez que o aparelho foi usado.
- O desumidificador começa a desumidificar se a umidade do ambiente for 3% maior que a umidade selecionada.
- O compressor tem um atraso de proteção de 3 minutos. Aguarde 3 minutos para que o desumidificador retome a desumidificação.
- Não opere perto de paredes, cortinas ou outros objetos que possam bloquear a entrada e saída de ar. Mantenha a entrada e a saída de ar livres de obstáculos.
- Ajuste o defletor de vento para cima antes de começar.

Temperatura de operação:

- Utilize este aparelho em temperatura ambiente entre 5°C e 35°C.
- Quando a temperatura ambiente for menor ou maior que a temperatura de operação, o desumidificador irá parar.
- Quando a temperatura ambiente estiver entre 5°C e 16°C, o compressor descongelará automaticamente em intervalos. Durante o descongelamento, o compressor irá parar e o ventilador continuará funcionando.

INSTALAÇÃO

- Coloque a unidade em uma superfície firme e nivelada em uma área com pelo menos 30 cm de espaço livre ao redor para permitir a circulação de ar adequada.



- Nunca instale a unidade onde ela possa ficar exposta a fontes de calor, como radiadores, registros de calor, fogões ou outros produtos que produzam calor,

em uma área sujeita a respingos de óleo ou água, luz solar direta, vibração ou choque mecânico, poeira excessiva, falta de ventilação, como em um armário ou estante, em superfícies irregulares, etc.

- Instale a unidade em ambientes maiores que 4 m².

- Não instale a unidade onde possa haver vazamento de gás inflamável.

PAINEL DE CONTROLE



LOCK



FAN



TIMER



SET



MODE



POWER

Botão liga/desliga

- Pressione o botão liga/desliga para ligar o dispositivo, a luz indicadora acenderá, a velocidade padrão do ventilador será alta e a configuração padrão de umidade será 50%.
- Quando o aparelho estiver funcionando, pressione o botão liga/desliga para desligá-lo, a luz indicadora de funcionamento se apagará e o compressor parará imediatamente. Após 30 segundos de desligamento, o ventilador será desligado.

Botão de modo

- Pressione o botão de modo para alternar entre os modos Automático e Contínuo.
- Pressione uma vez para alternar entre os modos; o indicador correspondente acenderá.
- Pressione longamente o botão de modo para selecionar o modo noturno.

Modo automático:

- Quando a umidade ambiente definida for superior a 3%, o ventilador e o compressor começarão a operar conforme definido.
- Quando a umidade ambiente definida for inferior a 3%, o compressor parará de funcionar e o ventilador parará de funcionar após 30 segundos.
- Tanto a velocidade do ventilador quanto a umidade podem ser ajustadas no modo automático.
- Após ajustar a umidade, o visor digital retornará a mostrar a umidade ambiente.

Modo Contínuo:

- Neste modo, o dispositivo funcionará continuamente sem ser afetado pela umidade ambiente.
- A velocidade do ventilador é ajustável, mas a configuração de umidade não pode ser ajustada.

Modo noturno:

- Acesse o modo noturno pressionando longamente o botão de modo. No modo noturno, se nenhuma operação for realizada em 10 segundos, o indicador de energia e o indicador de modo diminuirão gradualmente, e os outros indicadores e o visor digital serão desligados.
- Pressione qualquer botão para restaurar a exibição normal.
- As outras funções são as mesmas do modo de desumidificação automática.
- No modo noturno, se houver uma falha, o código não será exibido.
- A velocidade do vento e a umidade podem ser ajustadas neste modo.
- Quando o tanque de água estiver cheio, a máquina não emitirá um alarme, mas a luz indicadora de tanque cheio acenderá para lembrá-lo de que o tanque de água está cheio e precisa ser esvaziado.

Botão de configurações

- Pressione este botão de configuração para ajustar a umidade (30-80%) ou o tempo (1-24h).
- Pressione o botão de ajuste uma vez para ajustar a umidade.
- O ajuste de umidade segue a seguinte ordem:
30%-35%-40%-45%-50%-55%-60%-65%-70%-75%-80%-30%.
- Para ajustar a hora, pressione uma vez para adicionar um valor de 1 hora.
- A cronometragem segue a seguinte ordem:
00-01-02-03-04-05-06-07-08-09-10-11-12-13-14-15-16-17-18-19-20-21-22-23-24-00.

Botão do temporizador

- Pressione a tecla do timer para definir a hora, verificar a hora ou cancelá-la.
- No estado sem tempo: Pressione a tecla de temporização para entrar no estado de configuração de temporização. O visor digital piscará para mostrar o tempo. Enquanto o visor digital estiver piscando, pressione a tecla de configuração para definir o tempo (0~24h).
- No estado de tempo: Pressione a tecla de temporização, o visor digital piscará para mostrar o tempo restante. Pressione a tecla de cronometragem novamente enquanto o visor digital estiver piscando para cancelar a cronometragem.
- Pressione e segure esta tecla para iniciar a configuração da rede ou desconectar o WIFI.

Botão de engrenagem

- Pressione o botão uma vez para alternar entre velocidade baixa ou alta. O indicador correspondente acenderá de acordo com a velocidade selecionada.

Botão de trava de segurança

- Pressione e segure o botão de bloqueio para ativar ou desativar a função de bloqueio de segurança.

AVISOS

Indicador de tanque cheio:

- Quando o tanque estiver cheio por 5 segundos, o alarme de advertência será ativado.
- O indicador do tanque de água acenderá, o visor mostrará “FL” e a unidade emitirá um sinal sonoro 5 vezes.
- O sinal será detectado por 5 segundos após a água ser drenada quando o tanque de água for recolocado, funcionando de acordo com o status da configuração antes que a água esteja cheia. Cumpra a proteção do compressor com atraso de 3 minutos.

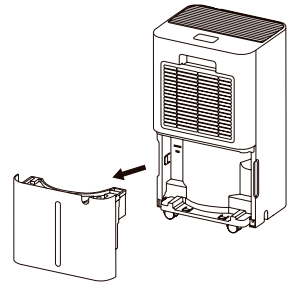
Luzes indicadoras:

- Luz indicadora azul: A umidade ambiente é igual ou inferior a 45%.
- Luz indicadora verde: A umidade ambiente está entre 45 e 65%.
- Luz indicadora vermelha: A umidade ambiente é igual ou superior a 65%.

DRENAGEM

Esvaziar o reservatório de água.

- Quando o tanque estiver cheio, o dispositivo emitirá um zumbido, o ícone do tanque cheio acenderá e “FL” aparecerá na tela.
- Puxe o reservatório de água para fora e simplesmente deslize-o para fora do corpo do desumidificador.
- Esvazie a água em um ralo ou fora.
- Limpe o interior e o exterior do tanque.
- Recoloque o tanque vazio na unidade.
- Se a luz de água cheia não apagar, verifique se o reservatório de água está posicionado corretamente.

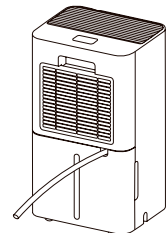


Cuidado!

- Não descarte os ímãs do tanque de água nem os rebites de plástico. Caso contrário, a máquina não parará de funcionar automaticamente quando o reservatório de água estiver cheio, e a água condensada transbordará e danificará o piso do ambiente.
- Certifique-se de limpar a água condensada no tanque de água antes de restaurar a máquina ao modo de funcionamento.
- Se o reservatório de água estiver sujo, enxágue-o com água limpa. Evite usar detergentes, bolas de aço, removedores químicos de poeira, óleo diesel, benzina, diluentes ou outros solventes. Caso contrário, o tanque de água será danificado e vazará.
- Recoloque o tanque vazio na unidade. Caso contrário, o indicador de água cheia pode permanecer vermelho e a máquina não poderá funcionar novamente.

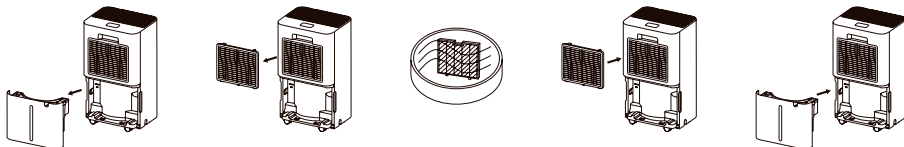
Drenagem contínua.

- Não bloqueie o ralo ou o cano de drenagem, pois isso permitirá que a água condensada flua para o tanque de água.
- Não dobre o tubo de drenagem. A altura do tubo de drenagem deve ser menor que a da saída.
- O tubo de drenagem deve estar conectado corretamente à saída.



LIMPEZA E MANUTENÇÃO

- Antes de limpar e fazer a manutenção do aparelho, certifique-se de desligá-lo e retirá-lo da tomada para evitar choques elétricos.
- A poeira se acumula no filtro e restringe o fluxo de ar. O fluxo de ar restrito reduz a eficiência do sistema e, se bloqueado, pode causar danos à unidade.
- O filtro de ar requer limpeza periódica. O filtro de ar é removível para facilitar a limpeza. Não opere a unidade sem um filtro de ar, ou o evaporador poderá ficar contaminado.
- Recomenda-se que o filtro de ar seja limpo a cada duas semanas.



1. Remova o reservatório de água do corpo e, em seguida, remova o filtro da parte inferior da carcaça traseira.
2. Use um aspirador de pó para remover delicadamente o pó da superfície.
3. Se o filtro estiver muito sujo, lave-o com água e detergente suave e seque-o bem depois.
4. Depois substitua o filtro.

CONEXÃO WI-FI



- O aplicativo CREATE HOME está disponível para Android e iOS (pesquise o aplicativo no Google Play ou na App Store ou escaneie o código QR). Dependendo do provedor, pode haver custos envolvidos no download do aplicativo.
- Com o aplicativo você pode controlar o dispositivo através da sua rede doméstica. Um pré-requisito é uma conexão Wi-Fi permanente com seu roteador e o aplicativo gratuito CREATE HOME.

- Recomendamos desconectar o aparelho da tomada quando estiver fora de casa para evitar que ele seja ligado acidentalmente enquanto você estiver fora.

Baixe o aplicativo e configure o Wi-Fi

1. Escaneie o código QR para baixar e instalar o aplicativo no seu dispositivo.
2. Abra o aplicativo e faça login se você tiver uma conta. Caso você não tenha um, selecione “Novo Usuário” para se registrar e fazer login.
3. Certifique-se de que você esteja conectado à sua rede Wi-Fi. Alguns roteadores oferecem duas redes padrão: 5G e 2,4G. Se for o caso, conecte-se pela rede 2,4G, pois as redes 5G não são suportadas.
4. Ligue o seu dispositivo e no APP, clique no botão “Adicionar um dispositivo” e selecione a família de desumidificadores correspondente. Coloque o dispositivo a uma distância máxima de 5 metros do seu roteador.
5. Pressione e segure o botão “Timer” para iniciar a configuração da rede. Quando o indicador WIFI piscar, você poderá conectar o WIFI. Após 3 minutos, o status será cancelado se não houver configuração de rede, e a luz indicadora se apagará. Se precisar se reconectar ao Wi-Fi, pressione e segure o botão “Timer” para reiniciar a configuração da rede, e o indicador de Wi-Fi piscará novamente.
6. No aplicativo, pressione “Avançar”. Aguarde até que o seu aspirador robô conclua o pareamento. Clique em “Concluir” e comece a aproveitar seu desumidificador.

SOLUÇÃO DE PROBLEMAS

- Antes de entrar em contato com um centro de serviço profissional, revise a lista de verificação de solução de problemas para problemas comuns que não são resultado de um defeito de fabricação ou de materiais.

PROBLEMA	CAUSA	SOLUÇÃO
O dispositivo não funciona.	• Não há fornecimento de eletricidade.	• Conecte o desumidificador a uma tomada elétrica que funcione e ligue-o.
	• O indicador de água cheia pisca.	• Esvazie o reservatório de água e substitua-o. • Verifique se o tanque está posicionado corretamente, caso contrário, posicione-o corretamente.
	• A temperatura ambiente é menor que 5°C ou maior que 35°C.	• Este aparelho possui um sistema de proteção projetado para proteger a unidade. Se a temperatura ambiente for inferior a 5 °C ou superior a 35 °C, o dispositivo não funcionará.
Mau funcionamento no dispositivo.	• O filtro de ar está entupido.	• Limpe o filtro de ar.
	• O duto de admissão ou de descarga está entupido.	• Remova a obstrução do duto de descarga e/ou do duto de admissão.
Não há entrada de ar no dispositivo.	• O filtro de ar está entupido.	• Limpe o filtro de ar.
O dispositivo faz um barulho alto durante o funcionamento.	• O desumidificador não está colocado no local correto.	• Coloque o desumidificador no chão, em um local adequado para operação.
	• O filtro está entupido.	• Limpe o filtro de ar.
Mensagem FL	• O reservatório de água está cheio.	• Esvazie o reservatório de água.
Mensagem E1/E2	• Há um problema com o sensor.	• Troque o sensor.



Em conformidade com as diretrizes: 2012/19 / UE e 2015/863 / UE sobre a restrição do uso de substâncias perigosas em equipamentos elétricos e eletrônicos, bem como a eliminação de resíduos. O símbolo com o caixote do lixo cruzado mostrado na embalagem indica que o produto ao final de sua vida útil será coletado como lixo separado. Portanto, qualquer produto que tenha atingido o fim de sua vida útil deve ser entregue a centros especializados de eliminação de resíduos para coleta seletiva de equipamentos elétricos e eletrônicos, ou devolvido ao varejista ao comprar equipamentos novos similares, em um para uma base. A coleta seletiva apropriada para o comissionamento subsequente do equipamento enviado para reciclagem, tratamento e descarte de maneira ecológica ajuda a evitar possíveis efeitos negativos no meio ambiente e na saúde e otimiza a reciclagem e reutilização de os componentes que compõem o dispositivo. A eliminação abusiva do produto pelo usuário implica a aplicação de sanções administrativas de acordo com as leis.

Grazie mille per aver scelto il nostro deumidificatore. Prima di utilizzare questo apparecchio, leggere attentamente le presenti istruzioni per un uso corretto.

Le precauzioni di sicurezza incluse ridurranno il rischio di lesioni, scosse elettriche o persino di morte se rigorosamente rispettate. Conservare questo manuale in un luogo sicuro per poterlo consultare in futuro, insieme alla confezione originale del prodotto e alla prova d'acquisto. Se possibile, consegnare queste istruzioni al successivo proprietario dell'elettrodomestico. Quando si utilizza un elettrodomestico, seguire sempre le precauzioni di sicurezza di base e le norme di prevenzione degli incidenti. La società declina ogni responsabilità derivante dal mancato rispetto delle presenti istruzioni da parte del cliente.

PRECAUZIONI DI SICUREZZA

Prima di utilizzare qualsiasi apparecchio elettrico, è necessario osservare sempre le precauzioni di sicurezza di base.

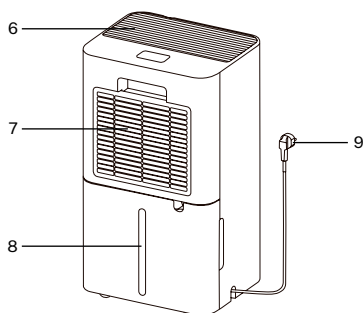
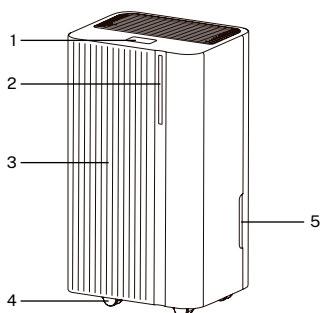
- Questo apparecchio può essere utilizzato da bambini di età pari o superiore a 8 anni e da persone con capacità fisiche, sensoriali o mentali ridotte o prive di esperienza e conoscenza, solo se sorvegliati o istruiti sull'uso sicuro dell'apparecchio e se comprendono i pericoli connessi.
- I bambini non devono giocare con l'apparecchio. La pulizia e la manutenzione non devono essere eseguite dai bambini.
- L'unità è progettata per essere utilizzata esclusivamente con gas R-290 (propano) come refrigerante designato.
- Il circuito del refrigerante è sigillato. La manutenzione deve essere eseguita solo da un tecnico qualificato.
- L'R-290 (propano) è infiammabile e più pesante dell'aria. Si accumula prima nelle zone più basse, ma riesce a circolare grazie ai ventilatori. Se è presente o si sospetta la presenza di gas propano, non consentire a personale non addestrato di cercare di individuarne la causa.
- Il gas propano utilizzato nell'unità è inodore. L'assenza di odore non indica che non ci siano perdite di gas. Se viene rilevata una perdita, evacuare immediatamente tutti dalla stanza, ventilarla e contattare i vigili del fuoco locali per informarli che si è verificata una perdita di propano. Non consentire a nessuno di rientrare nella stanza finché non sarà arrivato un tecnico qualificato che ti avrà informato che è possibile rientrare in negozio in sicurezza.
- Non utilizzare fiamme libere, sigarette o altre potenziali fonti di accensione all'interno o in prossimità delle unità.
- I componenti sono progettati per funzionare a propano e non producono scintille. I componenti verranno sostituiti solo con pezzi di ricambio identici e da personale qualificato.
- La mancata osservanza di queste avvertenze può provocare esplosioni, danni alla proprietà, lesioni o persino la morte.

- Se il cavo di alimentazione è danneggiato, deve essere sostituito dal produttore, da un suo agente di assistenza o da personale qualificato, per evitare pericoli.
- Durante la manutenzione, scollegare sempre l'apparecchio dalla fonte di alimentazione.
- Utilizzare l'apparecchio sempre con una fonte di alimentazione avente la stessa tensione, frequenza e potenza indicate sulla targhetta identificativa del prodotto.
- Utilizzare sempre una presa dotata di messa a terra.
- Scollegare il cavo di alimentazione quando si pulisce o non si utilizza l'apparecchio.
- Non utilizzare l'apparecchio con le mani bagnate. Evitare che l'acqua cada sull'apparecchio.
- Non immergere o esporre il dispositivo a pioggia, umidità o altri liquidi.
- Non lasciare l'apparecchio in funzione senza sorveglianza. Non inclinare o ruotare l'apparecchio.
- Non staccare la spina mentre l'apparecchio è in uso.
- Non staccare la spina dell'apparecchio tirando il cavo di alimentazione.
- Non utilizzare adattatori o prolunghe.
- Non appoggiare oggetti sopra l'unità e non salirci sopra o sedercisi.
- Non inserire dita o altri oggetti nella presa d'aria.
- Non toccare la presa d'aria o le alette in alluminio dell'unità.
- Non utilizzare l'unità se è caduta, è danneggiata o mostra segni di malfunzionamento.
- Non pulire l'apparecchio con prodotti chimici.
- Assicurarsi che l'apparecchio sia lontano dal fuoco e da oggetti infiammabili o esplosivi.
- L'unità deve essere installata in conformità alle normative nazionali in materia di cablaggio.
- Non utilizzare mezzi diversi da quelli raccomandati dal produttore per accelerare il processo di sbrinamento o per pulire il prodotto.
- L'apparecchio deve essere conservato in un locale privo di fonti di funzionamento continuo (ad esempio: fiamme libere, apparecchio a gas in funzione o riscaldatore elettrico in funzione).
- L'apparecchio deve essere conservato in modo tale da non subire danni meccanici.
- Non tagliare o bruciare l'apparecchio, neppure dopo l'uso.
- Si prega di notare che i refrigeranti non devono contenere alcun odore.
- I tubi devono essere protetti da danni fisici e non devono essere installati in uno spazio non ventilato se la superficie è inferiore a 4 m².
- È necessario rispettare sempre le normative nazionali in materia di gas.
- Mantenere libere da ostruzioni le aperture di ventilazione necessarie.
- L'apparecchio deve essere conservato in un luogo ben ventilato, le cui dimensioni corrispondano alla superficie della stanza specificata per il funzionamento.

- Chiunque lavori o intervenga su un circuito refrigerante deve essere in possesso di un certificato valido rilasciato da un'autorità di valutazione accreditata dal settore, che certifichi la propria competenza a maneggiare in sicurezza i refrigeranti in conformità a una specifica di valutazione riconosciuta dal settore.
- La manutenzione verrà eseguita esclusivamente secondo le raccomandazioni del produttore dell'apparecchiatura. La manutenzione e le riparazioni che richiedono l'assistenza di altro personale qualificato devono essere eseguite sotto la supervisione di una persona competente nell'uso di refrigeranti infiammabili.
- Se non capisci qualcosa o hai bisogno di aiuto, contatta il servizio clienti.
- Controlli di zona: Prima di iniziare a lavorare su sistemi contenenti refrigeranti infiammabili, è necessario eseguire controlli di sicurezza per garantire che il rischio di innesco sia ridotto al minimo. Per la riparazione del sistema di raffreddamento, è opportuno adottare alcune precauzioni di base prima di intervenire sul sistema.
- Procedura di lavoro: Il lavoro verrà eseguito secondo una procedura controllata in modo da ridurre al minimo il rischio della presenza di gas o vapori infiammabili durante lo svolgimento dei lavori.
- Area di lavoro generale: Tutto il personale addetto alla manutenzione e le altre persone che lavorano nella manutenzione devono essere istruiti sulla natura del lavoro svolto. Si eviterà di lavorare in spazi confinati. L'area di lavoro sarà delimitata. Le condizioni di sicurezza all'interno dell'area saranno garantite mediante il controllo dei materiali infiammabili.
- Controllo della presenza di refrigerante: Prima e durante il lavoro, l'area verrà controllata con un rilevatore di refrigerante idoneo per garantire che il tecnico sia a conoscenza della presenza di atmosfere potenzialmente infiammabili. Assicurarsi che l'attrezzatura di rilevamento delle perdite utilizzata sia adatta all'uso con refrigeranti infiammabili, ovvero non produca scintille, sia adeguatamente sigillata o intrinsecamente sicura.
- Presenza di estintore: Se si devono eseguire lavori a caldo sull'apparecchiatura di refrigerazione o su una qualsiasi delle sue parti associate, devono essere prontamente disponibili idonee attrezzature antincendio. Tenere un estintore a polvere secca o a CO₂ in prossimità dell'area di carico.
- Nessuna fonte di accensione: Nessuna persona che esegue lavori relativi a un sistema di refrigerazione che comportino l'esposizione di tubazioni contenenti o che hanno contenuto refrigerante infiammabile deve utilizzare fonti di accensione in modo tale che possa verificarsi un rischio di incendio o esplosione. Tutte le potenziali fonti di accensione, compreso il fumo di sigaretta, devono essere tenute sufficientemente lontane dal sito di installazione, riparazione, smontaggio e smaltimento, durante i quali il refrigerante infiammabile può essere rilasciato nello spazio circostante. Prima di iniziare il lavoro, è necessario ispezionare l'area circostante l'attrezzatura per assicurarsi che non vi siano pericoli infiammabili o rischi di accensione.

- Area ventilata; Prima di intervenire sul sistema o di eseguire lavori a caldo, assicurarsi che l'area sia all'aperto o adeguatamente ventilata. Durante l'esecuzione dei lavori deve essere mantenuto un certo grado di ventilazione. La ventilazione deve disperdere in modo sicuro qualsiasi refrigerante rilasciato e preferibilmente scaricarlo all'esterno, nell'atmosfera.
- Controlli delle apparecchiature di raffreddamento: Quando si sostituiscono componenti elettrici, questi devono essere adatti allo scopo per cui sono stati progettati e rispettare le specifiche corrette. Verranno sempre rispettate le linee guida del produttore in materia di manutenzione e assistenza. In caso di dubbi, consultare il servizio tecnico del produttore.
- Per gli impianti che utilizzano refrigeranti infiammabili devono essere applicati i seguenti controlli:
 - La quantità di carica dipende dalle dimensioni della stanza in cui sono installate le parti contenenti refrigerante.
 - I macchinari e le prese d'aria funzionano correttamente e non sono ostruiti.
 - Se si utilizza un circuito di raffreddamento indiretto, verrà verificata la presenza di refrigerante nel circuito secondario.
 - La marcatura dell'attrezzatura rimane visibile e leggibile. La segnaletica e i cartelli illeggibili devono essere corretti.
 - Le tubazioni o i componenti di refrigerazione sono installati in una posizione in cui è improbabile che siano esposti a sostanze che potrebbero corrodere i componenti contenenti refrigerante, a meno che i componenti non siano realizzati con materiali intrinsecamente resistenti alla corrosione o adeguatamente protetti da tale corrosione.
- Controllo dei dispositivi elettrici: La riparazione e la manutenzione dei componenti elettrici includeranno controlli di sicurezza iniziali e procedure di ispezione dei componenti. In caso di guasto che potrebbe compromettere la sicurezza, l'alimentazione elettrica non verrà collegata al circuito finché il problema non sarà risolto in modo soddisfacente. Se il guasto non può essere risolto immediatamente ma è necessario continuare a funzionare, si dovrà ricorrere a una soluzione temporanea idonea. Il proprietario dell'attrezzatura verrà informato in modo che tutte le parti interessate siano informate.
- I controlli di sicurezza iniziali includeranno:
 - Scaricare i condensatori: questa operazione deve essere eseguita in sicurezza per evitare la possibilità di scintille.
 - Non esporre componenti elettrici e cablaggi sotto tensione durante la carica, il recupero o lo spurgo del sistema.
 - Garantire la continuità della messa a terra.

ELENCO DEI COMPONENTI



1. Pannello di controllo e display digitale
2. Schermo luminoso
3. Pannello frontale

4. Ruote
5. Serbatoio dell'acqua
6. Uscita dell'aria

7. Filtro dell'aria
8. Indicateur de niveau d'eau
9. Câble d'alimentation

UTILIZZO SICURO DEL DISPOSITIVO

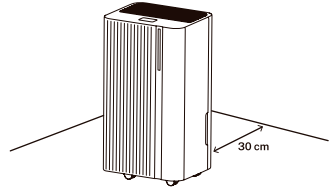
- Dopo aver disimballato l'apparecchio, controllarne la presenza di eventuali danni o graffi.
- Non utilizzare all'aperto. Questo deumidificatore è progettato esclusivamente per uso residenziale in ambienti interni.
- Se l'apparecchio è inclinato di oltre 45°, lasciarlo in posizione verticale per almeno 24 ore prima di utilizzarlo.
- Per un maggiore risparmio energetico, tieni chiuse porte e finestre della stanza.
- Non utilizzare o conservare l'apparecchio alla luce diretta del sole o sotto la pioggia.
- È normale che la presa d'aria risulti calda al tatto dopo un funzionamento continuo nelle giornate calde.
- Svuotare il serbatoio dell'acqua prima di spostare l'apparecchio.
- Assicurarsi che il serbatoio dell'acqua sia posizionato correttamente, altrimenti l'apparecchio non funzionerà.
- Il deumidificatore si avvia nella modalità selezionata l'ultima volta che l'apparecchio è stato utilizzato.
- Il deumidificatore inizia a deumidificare se l'umidità della stanza è superiore del 3% rispetto all'umidità selezionata.
- Il compressore ha un ritardo di protezione di 3 minuti. Attendere 3 minuti affinché il deumidificatore riprenda a deumidificare.
- Non utilizzare l'apparecchio in prossimità di pareti, tende o altri oggetti che potrebbero ostruire l'aspirazione e l'uscita dell'aria. Mantenere l'ingresso e l'uscita dell'aria libere da ostacoli.
- Prima di partire, regolare il deflettore del vento verso l'alto.

Temperatura di esercizio:

- Utilizzare questo apparecchio a una temperatura ambiente compresa tra 5°C e 35°C.
- Quando la temperatura ambiente è inferiore o superiore alla temperatura di esercizio, il deumidificatore si arresta.
- Quando la temperatura ambiente è compresa tra 5°C e 16°C, il compressore si sbrina automaticamente a intervalli. Durante lo sbrinamento, il compressore si ferma e la ventola continua a funzionare.

FACILITÀ

- Posizionare l'unità su una superficie solida e piana, in un'area con almeno 30 cm di spazio libero attorno per consentire una corretta circolazione dell'aria.
- Non installare mai l'unità in un luogo in cui potrebbe essere esposta a fonti di calore quali termosifoni, bocchette di ventilazione, stufe o altri prodotti che generano calore, in un'area soggetta a schizzi di olio o acqua, luce solare diretta, vibrazioni o urti meccanici, polvere eccessiva, mancanza di ventilazione, come in un armadio o in una libreria, su superfici irregolari, ecc.
- Installare l'unità in stanze più grandi di 4 m².
- Non installare l'unità in luoghi dove potrebbero verificarsi perdite di gas infiammabile.



PANNELLO DI CONTROLLO



LOCK



FAN



TIMER



SET



MODE



POWER

Pulsante di accensione

- Premere il pulsante di accensione per accendere il dispositivo, la spia luminosa si illuminerà, la velocità predefinita della ventola sarà alta e l'impostazione predefinita dell'umidità sarà del 50%.
- Quando l'apparecchio è in funzione, premere il pulsante di accensione per spegnerlo, la spia di funzionamento si spegnerà e il compressore si fermerà immediatamente. Dopo 30 secondi di spegnimento la ventola si spegnerà.

Pulsante Modalità

- Premere il pulsante Modalità per passare dalla modalità Auto a quella Continua e viceversa.
- Premere una volta per passare da una modalità all'altra, l'indicatore corrispondente si illuminerà.
- Premere a lungo il pulsante Mode per selezionare la modalità notturna.

Modalità automatica:

- Quando l'umidità ambiente impostata è superiore al 3%, la ventola e il compressore inizieranno a funzionare come impostato.
- Se l'umidità ambiente impostata è inferiore al 3%, il compressore smetterà di funzionare e anche la ventola si fermerà dopo 30 secondi.
- In modalità automatica è possibile regolare sia la velocità della ventola che l'umidità.
- Dopo aver regolato l'umidità, il display digitale tornerà a visualizzare l'umidità ambiente.

Modalità continua:

- In questa modalità il dispositivo funzionerà ininterrottamente senza essere influenzato dall'umidità ambientale.
- La velocità della ventola è regolabile, ma non è possibile regolare l'umidità.

Modalità notturna:

- Per accedere alla modalità notturna, premere a lungo il pulsante Modalità. In modalità notturna, se non viene eseguita alcuna operazione entro 10 secondi, l'indicatore di alimentazione e l'indicatore di modalità si attenueranno gradualmente e gli altri indicatori e il display digitale si spegneranno.
- Premere un pulsante qualsiasi per ripristinare la visualizzazione normale.
- Le altre funzioni sono le stesse della modalità di deumidificazione automatica.
- In modalità notturna, in caso di guasto, il codice non verrà visualizzato.
- In questa modalità è possibile regolare la velocità del vento e l'umidità.
- Quando il serbatoio dell'acqua è pieno, la macchina non emetterà un allarme, ma la spia di serbatoio pieno si accenderà per ricordare all'utente che il serbatoio dell'acqua è pieno e deve essere svuotato.

Pulsante Impostazioni

- Premere questo pulsante di impostazione per regolare l'umidità (30-80%) o il tempo (1-24 ore).
- Premere una volta il pulsante di regolazione per regolare l'umidità.
- La regolazione dell'umidità segue il seguente ordine:
30%-35%-40%-45%-50%-55%-60%-65%-70%-75%-80%-30%.
- Per regolare l'ora, premere una volta per aggiungere un valore orario di 1 ora.
- La tempistica segue il seguente ordine:
00-01-02-03-04-05-06-07-08-09-10-11-12-13-14-15-16-17-18-19-20-21-22-23-24-00.

Pulsante del timer

- Premere il tasto timer per impostare l'ora, controllarla o annullarla.
- Nello stato non temporale: Premere il tasto di temporizzazione per accedere allo stato di impostazione della temporizzazione. Il display digitale lampeggerà per mostrare il tempo di cronometraggio. Mentre il display digitale lampeggia, premere il tasto di impostazione per impostare l'ora (0~24h).
- Nello stato di temporizzazione: Premere il tasto di temporizzazione, il display digitale lampeggerà per mostrare il tempo di temporizzazione rimanente. Per annullare la temporizzazione, premere nuovamente il tasto di temporizzazione mentre il display digitale lampeggia.
- Premere a lungo questo tasto per avviare la configurazione di rete o disconnettere il WIFI.

Pulsante dell'ingranaggio

- Premere una volta il pulsante per passare dalla velocità bassa a quella alta. In base alla velocità selezionata si accenderà l'indicatore corrispondente.

Pulsante di blocco di sicurezza

- Premere e tenere premuto il pulsante di blocco per attivare o disattivare la funzione di blocco di sicurezza.

AVVISI

Indicatore di serbatoio pieno:

- Quando il serbatoio è pieno per 5 secondi, verrà attivato l'allarme.
- L'indicatore del serbatoio dell'acqua si illuminerà, il display mostrerà "FL" e l'unità emetterà un segnale acustico 5 volte.
- Il segnale verrà rilevato per 5 secondi dopo lo scarico dell'acqua quando il serbatoio dell'acqua viene riposizionato e funzionerà in base allo stato delle impostazioni prima che il serbatoio dell'acqua sia pieno. Rispettare la protezione del compressore con ritardo di 3 minuti.

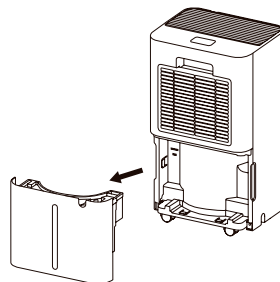
Spie luminose:

- Spia luminosa blu: L'umidità ambiente è pari o inferiore al 45%.
- Spia luminosa verde: L'umidità ambientale è compresa tra il 45 e il 65%.
- Spia luminosa rossa: L'umidità ambiente è pari o superiore al 65%.

DRENAGGIO

Svuotamento del serbatoio dell'acqua.

- Quando il serbatoio è pieno, il dispositivo emetterà un segnale acustico, l'icona del serbatoio pieno si illuminerà e sullo schermo apparirà la scritta "FL".
- Estrarre il serbatoio dell'acqua e farlo scorrere fuori dal corpo del deumidificatore.
- Svuotare l'acqua in uno scarico o all'esterno.
- Pulire sia l'interno che l'esterno del serbatoio.
- Sostituire il serbatoio vuoto nell'unità.
- Se la spia del serbatoio pieno d'acqua non si spegne, verificare che il serbatoio dell'acqua sia posizionato correttamente.

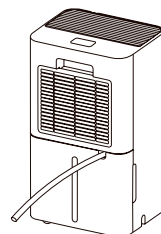


Attenzione!

- Non gettare via i magneti del serbatoio dell'acqua o i rivetti di plastica. In caso contrario, la macchina non smetterà di funzionare automaticamente quando il serbatoio dell'acqua è pieno e l'acqua di condensa traboccherà e danneggerà il pavimento della stanza.
- Assicurarsi di pulire l'acqua di condensa nel serbatoio dell'acqua prima di ripristinare la modalità di funzionamento della macchina.
- Se il serbatoio dell'acqua è sporco, sciacquarlo con acqua pulita. Evitare l'uso di detersivi, sfere d'acciaio, prodotti chimici per la rimozione della polvere, carburante diesel, benzene, diluenti o altri solventi. In caso contrario, il serbatoio dell'acqua potrebbe danneggiarsi e perdere.
- Sostituire il serbatoio vuoto nell'unità. In caso contrario, l'indicatore di livello dell'acqua potrebbe rimanere rosso e la macchina non sarà più in grado di funzionare.

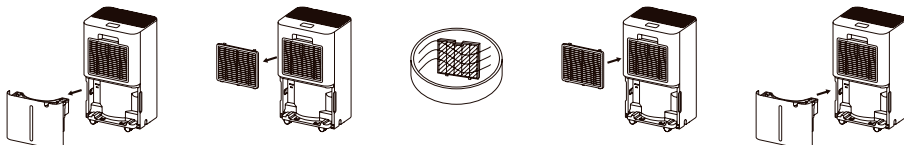
Drenaggio continuo.

- Non bloccare lo scarico o il tubo di drenaggio, poiché ciò consentirebbe all'acqua di condensa di fluire nel serbatoio dell'acqua.
- Non piegare il tubo di scarico. L'altezza del tubo di scarico deve essere inferiore a quella dello scarico.
- Il tubo di scarico deve essere collegato correttamente allo scarico.



PULIZIA E MANUTENZIONE

- Prima di pulire o effettuare la manutenzione dell'apparecchio, assicurarsi di spegnerlo e di scollegarlo per evitare scosse elettriche.
- La polvere si accumula sul filtro e limita il flusso dell'aria. Un flusso d'aria limitato riduce l'efficienza del sistema e, se bloccato, può danneggiare l'unità.
- Il filtro dell'aria richiede una pulizia periodica. Il filtro dell'aria è rimovibile per una facile pulizia. Non far funzionare l'unità senza filtro dell'aria, altrimenti l'evaporatore potrebbe contaminarsi.
- Si consiglia di pulire il filtro dell'aria ogni due settimane.



1. Rimuovere il serbatoio dell'acqua dal corpo, quindi rimuovere il filtro dalla parte inferiore dell'involucro posteriore.
2. Utilizzare un aspirapolvere per rimuovere delicatamente la polvere dalla superficie.
3. Se il filtro è molto sporco, lavarlo con acqua e un detergente delicato e asciugarlo poi accuratamente.
4. Quindi sostituire il filtro.

CONNESSIONE WI-FI



- L'app CREATE HOME è disponibile sia per Android che per iOS (cerca l'app su Google Play o sull'App Store oppure scansiona il codice QR). A seconda del provider, il download dell'app potrebbe comportare dei costi.
- Con l'app puoi controllare il dispositivo tramite la tua rete domestica. Un prerequisito è una connessione Wi-Fi permanente al router e l'app gratuita CREATE HOME.

- Si consiglia di scollegare l'apparecchio dalla rete elettrica quando ci si trova fuori casa, per evitare che possa essere acceso accidentalmente durante la propria assenza.

Scarica l'app e configura il Wi-Fi

1. Scansiona il codice QR per scaricare e installare l'app sul tuo dispositivo.
2. Apri l'app e accedi se hai un account. Se non ne hai uno, seleziona "Nuovo utente" per registrarti e accedere.
3. Assicurati di essere connesso alla tua rete WIFI. Alcuni router offrono due reti predefinite: 5G e 2.4G. In tal caso, connettiti tramite la rete 2.4G poiché le reti 5G non sono supportate.
4. Accendi il dispositivo e nell'APP clicca sul pulsante "Aggiungi un dispositivo" e seleziona la famiglia di deumidificatori corrispondente. Posizionare il dispositivo a una distanza massima di 5 metri dal router.
5. Premere e tenere premuto il pulsante "Timer" per avviare la configurazione della rete; quando l'indicatore WIFI lampeggia, è possibile connettersi al WIFI. Dopo 3 minuti, se non è presente alcuna configurazione di rete, lo stato verrà annullato e la spia luminosa si spegnerà. Se è necessario riconnettersi al Wi-Fi, premere a lungo il pulsante "Timer" per riavviare la configurazione di rete e l'indicatore Wi-Fi lampeggerà di nuovo.
6. Nell'app, premi "Avanti". Attendi che il tuo robot aspirapolvere completi l'associazione. Fai clic su "Fine" e inizia a goderti il tuo deumidificatore.

RISOLUZIONE DEI PROBLEMI

- Prima di contattare un centro di assistenza professionale, rivedere l'elenco di controllo per la risoluzione dei problemi per individuare problemi comuni che non sono dovuti a difetti di fabbricazione o di materiali.

PROBLEMA	CAUSA	SOLUZIONE
Il dispositivo non funziona.	• Non c'è fornitura di elettricità.	• Collegare il deumidificatore a una presa elettrica funzionante e accenderlo.
	• L'indicatore del livello dell'acqua lampeggia.	• Svuotare il serbatoio dell'acqua e riposizionarlo. • Controllare che il serbatoio sia posizionato correttamente, in caso contrario posizionarlo correttamente.
	• La temperatura ambiente è inferiore a 5°C o superiore a 35°C.	• Questo apparecchio è dotato di un sistema di protezione progettato per proteggere l'unità. Se la temperatura ambiente è inferiore a 5°C o superiore a 35°C, il dispositivo non funzionerà.
Malfunzionamento del dispositivo.	• Il filtro dell'aria è intasato.	• Pulire il filtro dell'aria.
	• Il condotto di aspirazione o di scarico è ostruito.	• Rimuovere l'ostruzione dal condotto di scarico e/o dal condotto di aspirazione.
Non vi è alcuna presa d'aria nel dispositivo.	• Il filtro dell'aria è intasato.	• Pulire il filtro dell'aria.
Il dispositivo emette un forte rumore durante il funzionamento.	• Il deumidificatore non è posizionato nella posizione corretta.	• Posizionare il deumidificatore sul pavimento, in un luogo adatto al funzionamento.
	• Il filtro è intasato.	• Pulire il filtro dell'aria.
Messaggio FL	• Il serbatoio dell'acqua è pieno.	• Svuotare il serbatoio dell'acqua.
Messaggio E1/E2	• C'è un problema con il sensore.	• Sostituire il sensore.



Conformément aux directives: 2012/19 / UE et 2015/863 / UE sur la limitation de l'utilisation de substances dangereuses dans les équipements électriques et électroniques, ainsi que leur élimination des déchets. Le symbole avec la poubelle croisée indiqué sur l'emballage indique que le produit à la fin de sa durée de vie sera collecté en tant que déchet séparé. Par conséquent, tout produit ayant atteint la fin de sa durée de vie doit être livré dans des centres d'élimination des déchets spécialisés pour la collecte sélective des déchets d'équipements électriques et électroniques, ou retourné au détaillant lors de l'achat de nouveaux équipements similaires, en un seul pour une base. Une collecte séparée appropriée pour la mise en service ultérieure des équipements expédiés pour être recyclés, traités et éliminés d'une manière respectueuse de l'environnement aide à prévenir les effets négatifs potentiels sur l'environnement et la santé et optimise le recyclage et la réutilisation des les composants qui composent l'appareil. L'élimination abusive du produit par l'utilisateur implique l'application de sanctions administratives conformément aux lois.

Merci beaucoup d'avoir choisi notre déshumidificateur. Avant d'utiliser cet appareil, veuillez lire attentivement ces instructions pour une utilisation correcte.

Les précautions de sécurité incluses réduiront le risque de blessure, de choc électrique ou même de décès si elles sont strictement respectées. Conservez ce manuel dans un endroit sûr pour référence ultérieure, ainsi que l'emballage d'origine du produit et la preuve d'achat. Si possible, transmettez ces instructions au prochain propriétaire de l'appareil. Respectez toujours les précautions de sécurité de base et les règles de prévention des accidents lorsque vous utilisez un appareil électrique. La société décline toute responsabilité découlant du non-respect de ces instructions par le client.

PRÉCAUTIONS DE SÉCURITÉ

Avant d'utiliser tout appareil électrique, des précautions de sécurité de base doivent toujours être respectées.

- Cet appareil peut être utilisé par des enfants âgés de 8 ans et plus et par des personnes ayant des capacités physiques, sensorielles ou mentales réduites ou manquant d'expérience et de connaissances s'ils ont reçu une surveillance ou des instructions concernant l'utilisation de l'appareil de manière sûre et comprennent les dangers encourus.
- Les enfants ne doivent pas jouer avec l'appareil. Le nettoyage et l'entretien ne doivent pas être effectués par des enfants.
- L'unité est conçue pour être utilisée uniquement avec du gaz R-290 (propane) comme réfrigérant désigné.
- Le circuit de refroidissement est étanche. L'entretien doit être effectué uniquement par un technicien qualifié.
- Le R-290 (propane) est inflammable et plus lourd que l'air. Il s'accumule d'abord dans les zones inférieures, mais peut circuler grâce aux ventilateurs. Si du gaz propane est présent ou même suspecté, ne laissez pas du personnel non formé essayer de trouver la cause.
- Le gaz propane utilisé dans l'appareil est inodore. L'absence d'odeur n'indique pas qu'il n'y a pas de fuites de gaz. Si une fuite est détectée, évacuez immédiatement tout le monde de la pièce, aérez la pièce et contactez les pompiers locaux pour les informer qu'une fuite de propane s'est produite. Ne laissez personne rentrer dans la pièce avant qu'un technicien de service qualifié ne soit arrivé et ne vous ait indiqué qu'il est sécuritaire de retourner au magasin.
- Les flammes nues, les cigarettes ou autres sources d'inflammation potentielles ne doivent pas être utilisées à l'intérieur ou à proximité des unités.
- Les composants sont conçus pour le propane et ne produisent pas d'étincelles. Les composants ne seront remplacés que par des pièces de réparation identiques et par du personnel qualifié.
- Le non-respect de ces avertissements peut entraîner une explosion, des dommages matériels, des blessures ou même la mort.

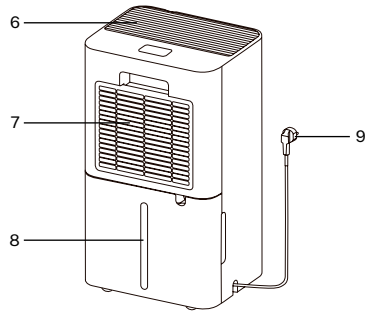
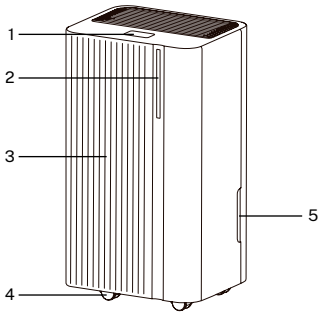
- Si le cordon d'alimentation est endommagé, il doit être remplacé par le fabricant, son agent de service ou des personnes de qualification similaire afin d'éviter tout danger.
- Débranchez toujours l'appareil de sa source d'alimentation pendant l'entretien.
- Faites toujours fonctionner l'appareil avec une alimentation électrique de même tension, fréquence et puissance que celles indiquées sur la plaque signalétique du produit.
- Utilisez toujours une prise de courant reliée à la terre.
- Débranchez le cordon d'alimentation lors du nettoyage ou lorsque vous ne l'utilisez pas.
- N'utilisez pas l'appareil avec les mains mouillées. Évitez que de l'eau ne tombe sur l'appareil.
- Ne pas immerger ni exposer l'appareil à la pluie, à l'humidité ou à tout autre liquide.
- Ne laissez pas l'appareil fonctionner sans surveillance. Ne pas incliner ni faire pivoter l'appareil.
- Ne débranchez pas l'appareil pendant son utilisation.
- Ne débranchez pas l'appareil en tirant sur le cordon d'alimentation.
- N'utilisez pas d'adaptateurs ou de rallonges.
- Ne placez pas d'objets sur l'appareil, ne vous tenez pas debout ou ne vous asseyez pas dessus.
- N'insérez pas les doigts ou d'autres objets dans la sortie d'air.
- Ne touchez pas l'entrée d'air ni les ailettes en aluminium de l'appareil.
- N'utilisez pas l'appareil s'il est tombé, s'il est endommagé ou s'il présente des signes de dysfonctionnement.
- Ne nettoyez pas l'appareil avec des produits chimiques.
- Assurez-vous que l'appareil est éloigné du feu et des objets inflammables ou explosifs.
- L'unité doit être installée conformément aux réglementations nationales en matière de câblage.
- N'utilisez aucun moyen pour accélérer le processus de dégivrage ou pour nettoyer le produit autre que ceux recommandés par le fabricant.
- L'appareil doit être stocké dans un local sans sources de fonctionnement continu (par exemple : flammes nues, appareil à gaz en fonctionnement ou radiateur électrique en fonctionnement).
- L'appareil doit être stocké de manière à éviter tout dommage mécanique.
- Ne pas couper ni brûler l'appareil, même après utilisation.
- Veuillez noter que les réfrigérants peuvent ne contenir aucune odeur.
- Les tuyaux doivent être protégés contre les dommages physiques et ne doivent pas être installés dans un espace non ventilé si l'espace est inférieur à 4 m².
- Les réglementations nationales sur le gaz doivent toujours être respectées.

- Maintenir les ouvertures de ventilation nécessaires libres de toute obstruction.
- L'appareil doit être stocké dans un endroit bien aéré où la taille de la pièce correspond à la surface de la pièce spécifiée pour le fonctionnement.
- Toute personne travaillant ou intervenant sur un circuit frigorifique doit être titulaire d'un certificat valide délivré par une autorité d'évaluation accréditée par l'industrie, certifiant sa compétence à manipuler les fluides frigorigènes en toute sécurité conformément à une spécification d'évaluation reconnue par l'industrie.
- L'entretien sera effectué uniquement selon les recommandations du fabricant de l'équipement. L'entretien et les réparations nécessitant l'assistance d'autres personnels qualifiés doivent être effectués sous la supervision d'une personne compétente dans l'utilisation des réfrigérants inflammables.
- Si vous ne comprenez pas quelque chose ou avez besoin d'aide, veuillez contacter le service client.
- Contrôles de zone : Avant de commencer à travailler sur des systèmes contenant des réfrigérants inflammables, des contrôles de sécurité doivent être effectués pour garantir que le risque d'inflammation est minimisé. Pour la réparation du système de refroidissement, des précautions de base doivent être suivies avant d'effectuer des travaux sur le système.
- Procédure de travail : Les travaux seront réalisés selon une procédure contrôlée afin de minimiser le risque de présence de gaz ou de vapeurs inflammables pendant les travaux.
- Zone de travail générale : Tout le personnel de maintenance et les autres personnes travaillant à la maintenance doivent être informés de la nature des travaux effectués. Le travail dans des espaces confinés sera évité. La zone de travail sera délimitée. Les conditions de sécurité dans la zone seront assurées par le contrôle des matières inflammables.
- Vérification de la présence de liquide de refroidissement : La zone sera vérifiée avec un détecteur de réfrigérant approprié avant et pendant le travail pour garantir que le technicien est conscient des atmosphères potentiellement inflammables. Assurez-vous que l'équipement de détection de fuite utilisé est adapté à une utilisation avec des réfrigérants inflammables, c'est-à-dire qu'il ne produit pas d'étincelles, qu'il est correctement scellé ou qu'il est intrinsèquement sûr.
- Présence d'extincteur : Si des travaux à chaud doivent être effectués sur l'équipement de réfrigération ou sur l'une de ses pièces associées, un équipement d'extinction d'incendie approprié doit être facilement disponible. Ayez un extincteur à poudre sèche ou à CO₂ à proximité de la zone de chargement.
- Aucune source d'inflammation : Aucune personne effectuant des travaux liés à un système de réfrigération impliquant l'exposition de tuyauteries contenant ou ayant contenu un réfrigérant inflammable ne doit utiliser des sources d'inflammation de telle manière qu'un risque d'incendie ou d'explosion puisse survenir. Toutes les sources potentielles d'inflammation, y compris le tabagisme, doivent être suffisamment éloignées du

site d'installation, de réparation, de démontage et d'élimination, au cours duquel du réfrigérant inflammable peut être libéré dans l'espace environnant. Avant de commencer les travaux, la zone autour de l'équipement doit être inspectée pour s'assurer qu'il n'y a pas de risques d'inflammation ou d'inflammation.

- Zone ventilée : Assurez-vous que la zone est à l'extérieur ou correctement ventilée avant de pénétrer dans le système ou d'effectuer des travaux à chaud. Un certain degré de ventilation doit être maintenu pendant la période où les travaux sont effectués. La ventilation doit disperser en toute sécurité tout réfrigérant libéré et, de préférence, l'évacuer vers l'extérieur dans l'atmosphère.
- Vérifications des équipements de refroidissement : Lors du remplacement de composants électriques, ceux-ci doivent être adaptés à l'usage auquel ils sont destinés et répondre aux spécifications correctes. Les directives d'entretien et de service du fabricant seront respectées à tout moment. En cas de doute, consultez le service technique du fabricant.
- Les contrôles suivants doivent être appliqués aux installations utilisant des réfrigérants inflammables :
 - La taille de la charge dépend de la taille de la pièce dans laquelle les pièces contenant du réfrigérant sont installées.
 - Les mécanismes et les sorties de ventilation fonctionnent correctement et ne sont pas obstrués.
 - Si un circuit de refroidissement indirect est utilisé, la présence de fluide frigorigène dans le circuit secondaire sera vérifiée.
 - Le marquage de l'équipement reste visible et lisible. Les marquages et panneaux illisibles doivent être corrigés.
 - Les tuyaux ou composants de réfrigération sont installés dans une position où ils ne risquent pas d'être exposés à une substance susceptible de corroder les composants contenant du réfrigérant, à moins que les composants ne soient constitués de matériaux intrinsèquement résistants à la corrosion ou adéquatement protégés contre une telle corrosion.
- Vérification des appareils électriques : La réparation et l'entretien des composants électriques comprendront des contrôles de sécurité initiaux et des procédures d'inspection des composants. En cas de défaut susceptible de compromettre la sécurité, aucune alimentation électrique ne sera connectée au circuit jusqu'à ce qu'il soit résolu de manière satisfaisante. Si le défaut ne peut pas être corrigé immédiatement mais que le fonctionnement continu est nécessaire, une solution temporaire appropriée doit être utilisée. Le propriétaire de l'équipement sera informé afin que toutes les parties soient informées.
- Les contrôles de sécurité initiaux comprendront :
 - Décharger les condensateurs : cela doit être fait en toute sécurité pour éviter tout risque d'étincelles.
 - N'exposez pas les composants électriques et le câblage sous tension pendant la charge, la récupération ou la purge du système.
 - Assurer la continuité de la mise à la terre.

LISTE DES PIÈCES



- | | | |
|--|--------------------|----------------------------------|
| 1. Panneau de configuration et affichage numérique | 4. Roues | 7. Filtre à air |
| 2. Écran lumineux | 5. Réservoir d'eau | 8. Indicatore livello dell'acqua |
| 3. Panneau avant | 6. Sortie d'air | 9. Cavo di alimentazione |

MANIPULATION SÛRE DE L'APPAREIL

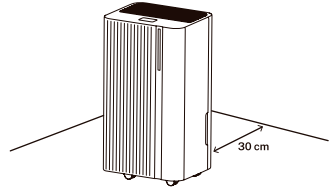
- Vérifiez que l'appareil n'est pas endommagé ou rayé après le déballage.
- Ne pas utiliser à l'extérieur. Ce déshumidificateur est conçu pour un usage résidentiel intérieur uniquement.
- Si l'appareil est incliné à plus de 45°, laissez-le debout pendant au moins 24 heures avant de l'utiliser.
- Gardez les portes et les fenêtres de la pièce fermées pour de plus grandes économies d'énergie.
- N'utilisez pas et ne stockez pas l'appareil en plein soleil ou sous la pluie.
- Il est normal que la sortie d'air soit chaude au toucher après un fonctionnement continu par temps chaud.
- Videz le réservoir d'eau avant de déplacer l'appareil.
- Assurez-vous que le réservoir d'eau est correctement positionné, sinon l'appareil ne fonctionnera pas.
- Le déshumidificateur démarre dans le mode sélectionné lors de la dernière utilisation de l'appareil.
- Le déshumidificateur commence à déshumidifier si l'humidité de la pièce est supérieure de 3 % à l'humidité sélectionnée.
- Le compresseur dispose d'un délai de protection de 3 minutes. Attendez 3 minutes pour que le déshumidificateur reprenne la déshumidification.
- Ne pas utiliser à proximité de murs, de rideaux ou d'autres objets susceptibles de bloquer l'entrée et la sortie d'air. Gardez l'entrée et la sortie d'air libres de tout obstacle.
- Réglez le déflecteur de vent vers le haut avant de démarrer.

Température de fonctionnement :

- Utilisez cet appareil à une température ambiante comprise entre 5°C et 35°C.
- Lorsque la température ambiante est inférieure ou supérieure à la température de fonctionnement, le déshumidificateur s'arrête.
- Lorsque la température ambiante est comprise entre 5°C et 16°C, le compresseur se dégivre automatiquement à intervalles réguliers. Pendant le dégivrage, le compresseur s'arrête et le ventilateur continue de fonctionner.

FACILITÉ

- Placez l'appareil sur une surface ferme et plane dans une zone avec au moins 30 cm d'espace libre autour pour permettre une bonne circulation de l'air.
- N'installez jamais l'appareil dans un endroit où il pourrait être exposé à des sources de chaleur telles que des radiateurs, des bouches de chaleur, des poêles ou d'autres produits produisant de la chaleur, dans une zone soumise à des éclaboussures d'huile ou d'eau, à la lumière directe du soleil, à des vibrations ou des chocs mécaniques, à une poussière excessive, à un manque de ventilation, comme dans un placard ou une bibliothèque, sur des surfaces inégales, etc.
- Installer l'appareil dans des pièces de plus de 4 m².
- N'installez pas l'appareil dans un endroit où des gaz inflammables pourraient fuir.



PANNEAU DE CONTRÔLE



LOCK



FAN



TIMER



SET



MODE



POWER

Bouton d'alimentation

- Appuyez sur le bouton d'alimentation pour allumer l'appareil, le voyant s'allumera, la vitesse du ventilateur par défaut sera élevée et le réglage d'humidité par défaut sera de 50 %.
- Lorsque l'appareil fonctionne, appuyez sur le bouton d'alimentation pour l'éteindre, le voyant de fonctionnement s'éteindra et le compresseur s'arrêtera immédiatement. Après 30 secondes d'arrêt, le ventilateur s'éteindra.

Bouton de mode

- Appuyez sur le bouton mode pour basculer entre les modes Auto et Continu.
- Appuyez une fois pour basculer entre les modes, l'indicateur correspondant s'allumera.
- Appuyez longtemps sur le bouton mode pour sélectionner le mode nuit.

Mode automatique :

- Lorsque l'humidité ambiante réglée est supérieure à 3 %, le ventilateur et le compresseur commencent à fonctionner comme prévu.
- Lorsque l'humidité ambiante réglée est inférieure à 3 %, le compresseur cesse de fonctionner et le ventilateur cesse de fonctionner après 30 secondes.
- La vitesse du ventilateur et l'humidité peuvent être réglées en mode automatique.
- Après avoir réglé l'humidité, l'affichage numérique reviendra à l'affichage de l'humidité ambiante.

Mode continu :

- Dans ce mode, l'appareil fonctionnera en continu sans être affecté par l'humidité ambiante.
- La vitesse du ventilateur est réglable mais le réglage de l'humidité ne peut pas être ajusté.

Mode nuit :

- Accédez au mode nuit en appuyant longuement sur le bouton mode. En mode nuit, si aucune opération n'est effectuée dans les 10 secondes, l'indicateur d'alimentation et l'indicateur de mode s'atténueront progressivement, et les autres indicateurs et l'affichage numérique s'éteindront.
- Appuyez sur n'importe quel bouton pour restaurer l'affichage normal.
- Les autres fonctions sont les mêmes que dans le mode de déshumidification automatique.
- En mode nuit, s'il y a un défaut, le code ne s'affichera pas.
- La vitesse du vent et l'humidité peuvent être réglées dans ce mode.
- Lorsque le réservoir d'eau est plein, la machine ne déclenche pas d'alarme, mais le voyant de réservoir plein s'allume pour vous rappeler que le réservoir d'eau est plein et doit être vidé.

Bouton Paramètres

- Appuyez sur ce bouton de réglage pour régler l'humidité (30-80%) ou le temps (1-24h).
- Appuyez une fois sur le bouton de réglage pour régler l'humidité.
- Le réglage de l'humidité suit l'ordre suivant :
30%-35%-40%-45%-50%-55%-60%-65%-70%-75%-80%-30%.
- Pour régler l'heure, appuyez une fois pour ajouter une valeur de temps d'une heure.
- Le timing suit l'ordre suivant :
00-01-02-03-04-05-06-07-08-09-10-11-12-13-14-15-16-17-18-19-20-21-22-23-24-00.

bouton de minuterie

- Appuyez sur la touche minuterie pour régler l'heure, vérifier l'heure ou l'annuler.
- Dans l'état sans synchronisation : Appuyez sur la touche de synchronisation pour accéder à l'état de réglage de la synchronisation. L'affichage numérique clignotera pour indiquer le temps de chronométrage. Pendant que l'affichage numérique clignote, appuyez sur la touche de réglage pour régler la durée de temporisation (0 à 24 h).
- Dans l'état de synchronisation : Appuyez sur la touche de chronométrage, l'affichage numérique clignotera pour indiquer le temps de chronométrage restant. Appuyez à nouveau sur la touche de chronométrage pendant que l'affichage numérique clignote pour annuler le chronométrage.
- Appuyez longuement sur cette touche pour démarrer la configuration du réseau ou déconnecter le WIFI.

bouton de vitesse

- Appuyez une fois sur le bouton pour basculer entre la vitesse lente ou élevée. L'indicateur correspondant s'allumera en fonction de la vitesse sélectionnée.

Bouton de verrouillage de sécurité

- Appuyez sur le bouton de verrouillage et maintenez-le enfoncé pour activer ou désactiver la fonction de verrouillage de sécurité.

AVIS

Indicateur de réservoir plein :

- Lorsque le réservoir est plein pendant 5 secondes, l'alarme d'avertissement sera activée.
- L'indicateur du réservoir d'eau s'allumera, l'écran affichera « FL » et l'appareil émettra 5 bips.
- Le signal sera détecté pendant 5 secondes après la vidange de l'eau lorsque le réservoir d'eau est remis en place, fonctionne selon l'état de réglage avant que l'eau ne soit pleine. Respectez la protection du compresseur à retard de 3 minutes.

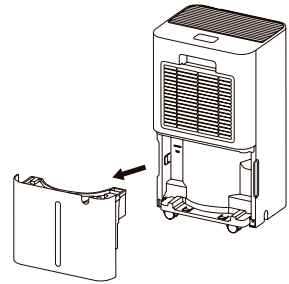
Voyants lumineux :

- Voyant lumineux bleu: L'humidité ambiante est égale ou inférieure à 45 %.
- Voyant lumineux vert: L'humidité ambiante est comprise entre 45 et 65%.
- Voyant lumineux rouge: L'humidité ambiante est égale ou supérieure à 65 %.

DRAINAGE

Vidange du réservoir d'eau.

- Lorsque le réservoir est plein, l'appareil émet un signal sonore, l'icône du réservoir plein s'allume et « FL » apparaît sur l'écran.
- Retirez le réservoir d'eau et faites-le simplement glisser hors du corps du déshumidificateur.
- Videz l'eau dans un drain ou à l'extérieur.
- Nettoyez l'intérieur et l'extérieur du réservoir.
- Remettez le réservoir vide dans l'appareil.
- Si le voyant d'eau pleine ne s'éteint pas, vérifiez que le réservoir d'eau est correctement positionné.

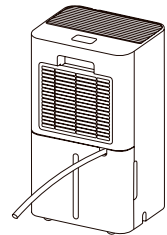


Prudence!

- Ne jetez pas les aimants du réservoir d'eau ni les rivets en plastique. Sinon, la machine ne s'arrêtera pas de fonctionner automatiquement lorsque le réservoir d'eau sera plein et l'eau condensée débordera et endommagera le sol de la pièce.
- Assurez-vous de nettoyer l'eau condensée dans le réservoir d'eau avant de remettre la machine en mode de fonctionnement.
- Si le réservoir d'eau est sale, rincez-le à l'eau claire. Évitez d'utiliser des détergents, des billes d'acier, des dépolisseurs chimiques, du carburant diesel, du benzène, des diluants ou d'autres solvants. Sinon, le réservoir d'eau sera endommagé et fuira.
- Remettez le réservoir vide dans l'appareil. Dans le cas contraire, l'indicateur d'eau pleine risque de rester rouge et la machine ne pourra plus fonctionner.

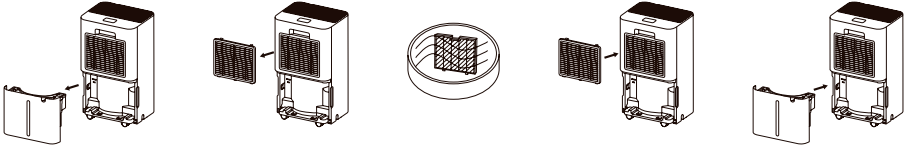
Drainage continu.

- Ne bloquez pas le drain ou le tuyau de drainage, car cela permettrait à l'eau condensée de s'écouler dans le réservoir d'eau.
- Ne pliez pas le tuyau d'évacuation. La hauteur du tuyau d'évacuation doit être inférieure à celle de la sortie.
- Le tuyau de vidange doit être correctement raccordé à la sortie.



NETTOYAGE ET ENTRETIEN

- Avant de nettoyer et d'entretenir l'appareil, assurez-vous de l'éteindre et de le débrancher pour éviter tout choc électrique.
- La poussière s'accumule sur le filtre et restreint le flux d'air. Un flux d'air restreint réduit l'efficacité du système et, s'il est bloqué, peut endommager l'unité.
- Le filtre à air nécessite un nettoyage périodique. Le filtre à air est amovible pour un nettoyage facile. N'utilisez pas l'appareil sans filtre à air, car l'évaporateur risque d'être contaminé.
- Il est recommandé de nettoyer le filtre à air toutes les deux semaines.



1. Retirez le réservoir d'eau du corps, puis retirez le filtre du bas du boîtier arrière.
2. Utilisez un aspirateur pour enlever délicatement la poussière de la surface.
3. Si le filtre est très sale, lavez-le avec de l'eau et un détergent doux et séchez-le soigneusement ensuite.
4. Remplacez ensuite le filtre.

CONNEXION WIFI



- L'application CREATE HOME est disponible pour Android et iOS (recherchez l'application sur Google Play ou l'App Store ou scannez le code QR). Selon le fournisseur, le téléchargement de l'application peut entraîner des frais.
- Avec l'application, vous pouvez contrôler l'appareil via votre réseau domestique. Une condition préalable est une connexion Wi-Fi permanente à votre routeur et l'application gratuite CREATE HOME.

- Nous vous recommandons de débrancher l'appareil de l'alimentation électrique lorsque vous êtes absent de votre domicile afin d'éviter qu'il ne soit allumé accidentellement pendant votre absence.

Téléchargez l'application et configurez le Wi-Fi

1. Scannez le code QR pour télécharger et installer l'application sur votre appareil.
2. Ouvrez l'application et connectez-vous si vous avez un compte. Si vous n'en avez pas, sélectionnez « Nouvel utilisateur » pour vous inscrire et vous connecter.
3. Assurez-vous que vous êtes connecté à votre réseau WIFI. Certains routeurs proposent deux réseaux par défaut : 5G et 2,4G. Si tel est le cas, connectez-vous via le réseau 2,4G car les réseaux 5G ne sont pas pris en charge.
4. Allumez votre appareil et dans l'APP, cliquez sur le bouton « Ajouter un appareil » et sélectionnez la famille de déshumidificateurs correspondante. Placez l'appareil à une distance maximale de 5 mètres de votre routeur.
5. Appuyez et maintenez enfoncé le bouton « Timer » pour démarrer la configuration du réseau. Lorsque l'indicateur WIFI clignote, vous pouvez vous connecter au WIFI. Après 3 minutes, le statut sera annulé s'il n'y a pas de configuration réseau et le voyant s'éteindra. Si vous devez vous reconnecter au Wi-Fi, appuyez longuement sur le bouton « Minuterie » pour redémarrer la configuration du réseau et l'indicateur Wi-Fi clignotera à nouveau.
6. Dans l'application, appuyez sur « Suivant ». Attendez que votre robot aspirateur termine l'appairage. Cliquez sur « Terminer » et commencez à profiter de votre déshumidificateur.

DÉPANNAGE

- Avant de contacter un centre de service professionnel, consultez la liste de contrôle de dépannage pour les problèmes courants qui ne sont pas le résultat d'un défaut de fabrication ou de matériaux.

PROBLÈME	CAUSE	SOLUTION
L'appareil ne fonctionne pas.	• Il n'y a pas d'alimentation électrique.	• Branchez le déshumidificateur sur une prise électrique fonctionnelle et allumez-le.
	• L'indicateur d'eau pleine clignote.	• Videz le réservoir d'eau et remplacez-le. • Vérifiez que le réservoir est bien positionné, sinon positionnez-le correctement.
	• La température ambiante est inférieure à 5°C ou supérieure à 35°C.	• Cet appareil dispose d'un système de protection conçu pour protéger l'unité. Si la température ambiante est inférieure à 5°C ou supérieure à 35°C, l'appareil ne fonctionnera pas.
Dysfonctionnement de l'appareil.	• Le filtre à air est bouché.	• Nettoyer le filtre à air.
	• Le conduit d'admission ou le conduit de refoulement est obstrué.	• Retirez l'obstruction du conduit de refoulement et/ou du conduit d'admission.
Il n'y a pas d'entrée d'air dans l'appareil.	• Le filtre à air est bouché.	• Nettoyer le filtre à air.
L'appareil émet un bruit fort lorsqu'il fonctionne.	• Le déshumidificateur n'est pas placé au bon endroit.	• Placez le déshumidificateur sur le sol, dans un endroit adapté à son fonctionnement.
	• Le filtre est bouché.	• Nettoyer le filtre à air.
Message FL	• Le réservoir d'eau est plein.	• Vider le réservoir d'eau.
Message E1/E2	• Il y a un problème avec le capteur.	• Changer le capteur.



In conformità con le direttive: 2012/19 / UE e 2015/863 / UE sulla restrizione dell'uso di sostanze pericolose nelle apparecchiature elettriche ed elettroniche, nonché sul loro smaltimento dei rifiuti. Il simbolo con la pattumiera incrociata mostrato sulla confezione indica che il prodotto al termine della sua vita utile verrà raccolto come rifiuto separato. Pertanto, qualsiasi prodotto che ha raggiunto la fine della sua vita utile deve essere consegnato a centri specializzati di smaltimento dei rifiuti per la raccolta selettiva di rifiuti di apparecchiature elettriche ed elettroniche o restituito al rivenditore al momento dell'acquisto di nuove apparecchiature simili, in un'unica per una base. Una corretta raccolta separata per la successiva messa in servizio di apparecchiature spedite per essere riciclate, trattate e smaltite in modo ecologico aiuta a prevenire potenziali effetti negativi sull'ambiente e sulla salute e ottimizza il riciclaggio e il riutilizzo di i componenti che compongono il dispositivo. L'eliminazione abusiva del prodotto da parte dell'utente implica l'applicazione di sanzioni amministrative in conformità con le leggi.

Vielen Dank, dass Sie sich für unseren Luftentfeuchter entschieden haben. Lesen Sie vor der Verwendung dieses Geräts diese Anweisungen zur ordnungsgemäßen Verwendung sorgfältig durch.

Die enthaltenen Sicherheitsvorkehrungen verringern bei strikter Einhaltung das Risiko von Verletzungen, Stromschlägen oder sogar Todesfällen. Bewahren Sie dieses Handbuch zusammen mit der Originalverpackung des Produkts und dem Kaufbeleg zur späteren Verwendung an einem sicheren Ort auf. Geben Sie diese Anleitung nach Möglichkeit an den Nachbarbesitzer des Gerätes weiter. Beachten Sie beim Umgang mit Elektrogeräten stets die grundlegenden Sicherheitsvorkehrungen und Unfallverhütungsvorschriften. Das Unternehmen lehnt jegliche Haftung ab, die sich aus der Nichtbeachtung dieser Anweisungen durch den Kunden ergibt.

SICHERHEITSVORKEHRUNGEN

Vor der Verwendung eines Elektrogeräts sollten stets grundlegende Sicherheitsvorkehrungen getroffen werden.

- Dieses Gerät kann von Kindern ab 8 Jahren und von Personen mit eingeschränkten physischen, sensorischen oder geistigen Fähigkeiten oder Mangel an Erfahrung und Wissen verwendet werden, wenn sie beaufsichtigt werden oder in die sichere Verwendung des Geräts eingewiesen wurden und die damit verbundenen Gefahren verstehen.
- Kinder sollten nicht mit dem Gerät spielen. Reinigung und Wartung sollten nicht von Kindern durchgeführt werden.
- Das Gerät ist ausschließlich für die Verwendung mit R-290 (Propan)-Gas als vorgesehene Kältemittel ausgelegt.
- Der Kältemittelkreislauf ist geschlossen. Die Wartung sollte nur von einem qualifizierten Techniker durchgeführt werden.
- R-290 (Propan) ist brennbar und schwerer als Luft. Es sammelt sich zunächst in den unteren Bereichen, kann aber dank der Ventilatoren zirkulieren. Wenn Propangas vorhanden ist oder auch nur vermutet wird, dürfen Sie nicht ungeschultes Personal mit der Suche nach der Ursache beauftragen.
- Das im Gerät verwendete Propangas ist geruchlos. Das Fehlen eines Geruchs bedeutet nicht, dass kein Gas austritt. Wenn ein Leck entdeckt wird, evakuieren Sie sofort alle Personen aus dem Raum, lüften Sie den Raum und kontaktieren Sie die örtliche Feuerwehr, um sie über das aufgetretene Propangasleck zu informieren. Erlauben Sie niemandem, den Raum wieder zu betreten, bis ein qualifizierter Servicetechniker eingetroffen ist und Ihnen mitgeteilt hat, dass Sie sicher in das Geschäft zurückkehren können.
- Offene Flammen, Zigaretten oder andere potenzielle Zündquellen dürfen nicht in oder in der Nähe der Geräte verwendet werden.
- Die Komponenten sind für Propan ausgelegt und erzeugen keine Funken. Der Austausch von Einzelteilen erfolgt ausschließlich durch identische Ersatzteile und durch qualifiziertes Fachpersonal.

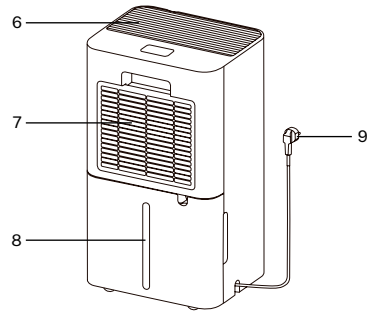
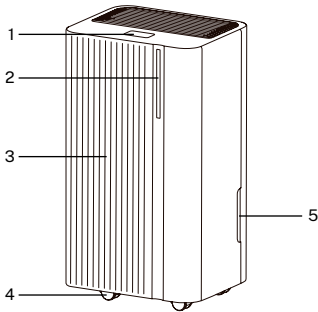
- Die Nichtbeachtung dieser Warnungen kann zu Explosionen, Sachschäden, Verletzungen oder sogar zum Tod führen.
- Wenn das Netzkabel beschädigt ist, muss es vom Hersteller, seinem Kundendienst oder ähnlich qualifizierten Personen ersetzt werden, um Gefahren zu vermeiden.
- Trennen Sie das Gerät während der Wartung immer von der Stromquelle.
- Betreiben Sie das Gerät immer mit einer Stromversorgung mit der gleichen Spannung, Frequenz und Leistung wie auf dem Produktypenschild angegeben.
- Verwenden Sie immer eine geerdete Steckdose.
- Ziehen Sie das Netzkabel ab, wenn Sie das Gerät reinigen oder nicht verwenden.
- Bedienen Sie das Gerät nicht mit nassen Händen. Vermeiden Sie, dass Wasser auf das Gerät tropft.
- Tauchen Sie das Gerät nicht in Regen, Feuchtigkeit oder andere Flüssigkeiten und setzen Sie es diesen nicht aus.
- Lassen Sie das Gerät nicht unbeaufsichtigt laufen. Das Gerät nicht kippen oder drehen.
- Ziehen Sie während des Betriebs nicht den Stecker aus der Steckdose.
- Ziehen Sie nicht am Netzkabel, um den Netzstecker des Geräts zu ziehen.
- Verwenden Sie keine Adapter oder Verlängerungskabel.
- Stellen Sie keine Gegenstände auf das Gerät und stellen oder setzen Sie sich nicht darauf.
- Stecken Sie keine Finger oder andere Gegenstände in den Luftauslass.
- Berühren Sie nicht den Lufteinlass oder die Aluminiumrippen des Geräts.
- Verwenden Sie das Gerät nicht, wenn es heruntergefallen ist, beschädigt ist oder Anzeichen einer Fehlfunktion aufweist.
- Reinigen Sie das Gerät nicht mit Chemikalien.
- Stellen Sie sicher, dass das Gerät nicht in der Nähe von Feuer und brennbaren oder explosiven Gegenständen steht.
- Das Gerät muss gemäß den nationalen Verdrahtungsvorschriften installiert werden.
- Verwenden Sie keine anderen Mittel zur Beschleunigung des Abtauvorgangs oder zur Reinigung des Produkts als die vom Hersteller empfohlenen.
- Das Gerät muss in einem Raum ohne ständig in Betrieb befindliche Quellen (z. B. offene Flammen, ein in Betrieb befindliches Gasgerät oder eine in Betrieb befindliche elektrische Heizung) gelagert werden.
- Das Gerät muss so gelagert werden, dass keine mechanischen Beschädigungen auftreten.
- Das Gerät nicht zerschneiden oder verbrennen, auch nicht nach dem Gebrauch.
- Bitte beachten Sie, dass Kältemittel keinen Geruch enthalten dürfen.

- Rohre müssen vor mechanischen Beschädigungen geschützt werden und dürfen nicht in unbelüfteten Räumen installiert werden, wenn die Fläche weniger als 4 m² beträgt.
- Die nationalen Gasvorschriften müssen unbedingt beachtet werden.
- Halten Sie die erforderlichen Belüftungsöffnungen frei.
- Das Gerät sollte in einem gut belüfteten Bereich gelagert werden, dessen Raumgröße der für den Betrieb angegebenen Raumfläche entspricht.
- Jede Person, die an einem Kältemittelkreislauf arbeitet oder Eingriffe daran vornimmt, muss über ein gültiges Zertifikat einer branchenweit akkreditierten Bewertungsstelle verfügen, das ihre Kompetenz zum sicheren Umgang mit Kältemitteln gemäß einer branchenweit anerkannten Bewertungsspezifikation bescheinigt.
- Die Wartung erfolgt ausschließlich gemäß den Empfehlungen des Geräteherstellers. Wartungs- und Reparaturarbeiten, die die Unterstützung von anderem qualifizierten Personal erfordern, müssen unter Aufsicht einer Person durchgeführt werden, die über Kenntnisse im Umgang mit brennbaren Kältemitteln verfügt.
- Wenn Sie etwas nicht verstehen oder Hilfe benötigen, wenden Sie sich bitte an den Kundenservice.
- Flächenprüfungen: Vor Beginn der Arbeiten an Systemen, die brennbare Kältemittel enthalten, müssen Sicherheitsprüfungen durchgeführt werden, um sicherzustellen, dass das Zündrisiko minimiert wird. Bei der Reparatur des Kühlsystems sollten vor der Durchführung von Arbeiten am System grundlegende Vorsichtsmaßnahmen beachtet werden.
- Arbeitsablauf: Die Arbeiten werden nach einem kontrollierten Verfahren durchgeführt, um das Risiko der Entstehung von brennbaren Gasen oder Dämpfen während der Arbeiten zu minimieren.
- Allgemeiner Arbeitsbereich: Sämtliches Wartungspersonal und sonstige in der Instandhaltung tätige Personen müssen über die Art der durchzuführenden Arbeiten unterrichtet werden. Arbeiten in engen Räumen werden vermieden. Der Arbeitsbereich wird abgegrenzt. Durch die Kontrolle brennbarer Materialien werden die sicheren Bedingungen in dem Bereich gewährleistet.
- Prüfen auf Vorhandensein von Kühlmittel: Der Bereich wird vor und während der Arbeit mit einem geeigneten Kältemitteldetektor überprüft, um sicherzustellen, dass der Techniker auf potenziell entflammbare Atmosphären aufmerksam ist. Stellen Sie sicher, dass die verwendete Lecksuchausrüstung für den Einsatz mit brennbaren Kältemitteln geeignet ist, d. h. funkenfrei, ausreichend abgedichtet oder eigensicher ist.
- Vorhandensein eines Feuerlöschers: Wenn an der Kühlanlage oder den zugehörigen Teilen Heißarbeiten durchgeführt werden müssen, muss eine geeignete Feuerlöschausrüstung leicht zugänglich sein. Halten Sie in der Nähe des Ladebereichs einen Trockenpulver- oder CO₂-Feuerlöscher bereit.
- Keine Zündquelle: Personen, die Arbeiten an einem Kältesystem durchführen, bei denen Rohrleitungen freiliegen, die entflammbares Kältemittel enthalten oder enthalten haben, dürfen keine Zündquellen so verwenden, dass Brand- oder Explosionsgefahr besteht. Alle potenziellen

Zündquellen, einschließlich Zigarettenrauchen, müssen ausreichend vom Installations-, Reparatur-, Demontage- und Entsorgungsort ferngehalten werden, da bei diesen Vorgängen brennbares Kältemittel in die Umgebung freigesetzt werden kann. Vor Beginn der Arbeiten muss der Bereich um die Ausrüstung herum überprüft werden, um sicherzustellen, dass keine entflammenden Gefahren oder Zündrisiken bestehen.

- Belüfteter Bereich: Stellen Sie sicher, dass sich der Bereich im Freien befindet oder ausreichend belüftet ist, bevor Sie in das System eindringen oder Heißenarbeiten durchführen. Während der Dauer der Arbeiten muss eine gewisse Belüftung gewährleistet sein. Durch die Belüftung muss das freigesetzte Kältemittel sicher verteilt und vorzugsweise nach außen in die Atmosphäre abgeleitet werden.
- Kontrolle der Kühlgeräte: Beim Austausch elektrischer Komponenten müssen diese für den vorgesehenen Zweck geeignet sein und die richtigen Spezifikationen erfüllen. Die Wartungs- und Service Richtlinien des Herstellers werden stets beachtet. Im Zweifelsfall wenden Sie sich an die technische Abteilung des Herstellers.
- Bei Anlagen mit brennbaren Kältemitteln sind folgende Kontrollen durchzuführen:
 - Die Füllmenge richtet sich nach der Größe des Raumes, in dem die kältemittelhaltigen Teile aufgestellt werden.
 - Die Belüftungsanlagen und -auslässe funktionieren ordnungsgemäß und sind nicht blockiert.
 - Bei Verwendung eines indirekten Kühlkreislaufs wird das Vorhandensein von Kältemittel im Sekundärkreislauf überprüft.
 - Die Gerätezeichnung bleibt sichtbar und lesbar. Unleserliche Markierungen und Schilder müssen korrigiert werden.
 - Kältemittelleitungen oder -komponenten werden an einer Stelle installiert, an der sie wahrscheinlich keinen Substanzen ausgesetzt sind, die die kältemittelhaltigen Komponenten korrodieren lassen könnten, es sei denn, die Komponenten bestehen aus Materialien, die von Natur aus korrosionsbeständig sind oder ausreichend gegen derartige Korrosion geschützt sind.
- Elektrische Geräte prüfen: Zur Reparatur und Wartung elektrischer Komponenten gehören anfängliche Sicherheitsprüfungen und Verfahren zur Komponenteninspektion. Wenn ein Fehler auftritt, der die Sicherheit beeinträchtigen könnte, wird keine Stromversorgung an den Stromkreis angeschlossen, bis der Fehler zufriedenstellend behoben ist. Wenn der Fehler nicht sofort behoben werden kann, der Weiterbetrieb aber erforderlich ist, muss eine geeignete Übergangslösung verwendet werden. Der Gerätebesitzer wird informiert, sodass alle Parteien informiert sind.
- Zu den ersten Sicherheitskontrollen gehören:
 - Entladen Sie die Kondensatoren: Dies wird sicher durchgeführt, um die Möglichkeit von Funken zu vermeiden.
 - Legen Sie während des Ladens, Wiederherstellens oder Spülens des Systems keine stromführenden elektrischen Komponenten und Leitungen frei.
 - Stellen Sie sicher, dass die Erdung durchgehend ist.

ERSATZTEILLISTE



- | | | |
|---------------------------------------|----------------|------------------------|
| 1. Systemsteuerung und Digitalanzeige | 4. Räder | 7. Luftfilter |
| 2. Leuchtender Bildschirm | 5. Wassertank | 8. Wasserstandsanzeige |
| 3. Vorderseite | 6. Luftauslass | 9. Stromkabel |

SICHERER UMGANG MIT DEM GERÄT

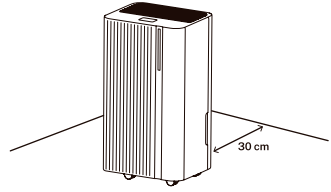
- Überprüfen Sie das Gerät nach dem Auspacken auf Beschädigungen oder Kratzer.
- Nicht im Freien verwenden. Dieser Luftentfeuchter ist nur für den Gebrauch in Wohngebäuden bestimmt.
- Bei einer Neigung von mehr als 45° muss das Gerät vor der Inbetriebnahme mindestens 24 Stunden lang aufrecht stehen.
- Halten Sie die Türen und Fenster des Raumes geschlossen, um mehr Energie zu sparen.
- Verwenden oder lagern Sie das Gerät nicht in direkter Sonneneinstrahlung oder im Regen.
- Es ist normal, dass sich der Luftauslass nach Dauerbetrieb an heißen Tagen warm anfühlt.
- Leeren Sie den Wassertank, bevor Sie das Gerät bewegen.
- Achten Sie auf die richtige Positionierung des Wassertanks, da das Gerät sonst nicht funktioniert.
- Der Luftentfeuchter startet in dem Modus, der beim letzten Gebrauch des Geräts gewählt wurde.
- Der Luftentfeuchter beginnt mit der Entfeuchtung, wenn die Raumluftfeuchtigkeit 3 % über der gewählten Luftfeuchtigkeit liegt.
- Der Kompressor verfügt über eine 3-minütige Schutzverzögerung. Warten Sie 3 Minuten, bis der Luftentfeuchter die Entfeuchtung fortsetzt.
- Nicht in der Nähe von Wänden, Vorhängen oder anderen Objekten betreiben, die die Luftzufuhr und den Luftauslass blockieren könnten. Halten Sie den Lufteinlass und -auslass frei von Hindernissen.
- Stellen Sie den Windabweiser vor dem Start nach oben ein.

Betriebstemperatur:

- Verwenden Sie dieses Gerät bei einer Raumtemperatur zwischen 5 °C und 35 °C.
- Wenn die Umgebungstemperatur niedriger oder höher als die Betriebstemperatur ist, stoppt der Luftentfeuchter.
- Wenn die Umgebungstemperatur zwischen 5 °C und 16 °C liegt, wird der Kompressor in Intervallen automatisch abgetaut. Während des Abtauens stoppt der Kompressor und der Ventilator läuft weiter.

EINRICHTUNG

- Stellen Sie das Gerät auf eine feste, ebene Fläche und lassen Sie rundherum mindestens 30 cm Freiraum, um eine ausreichende Luftzirkulation zu gewährleisten.
- Installieren Sie das Gerät niemals an einem Ort, an dem es Wärmequellen wie Heizkörpern, Heizregistern, Öfen oder anderen wärmeerzeugenden Produkten ausgesetzt sein könnte, oder in einem Bereich, der Öl- oder Wasserspritzern, direkter Sonneneinstrahlung, mechanischen Vibrationen oder Stößen, übermäßiger Staubbelastung oder mangelnder Belüftung ausgesetzt ist, wie etwa in einem Schrank oder Bücherregal, auf unebenen Flächen usw.
- Installieren Sie das Gerät in Räumen, die größer als 4 m² sind.
- Installieren Sie das Gerät nicht an Orten, an denen brennbares Gas austreten könnte.



BEDIENFELD



LOCK



FAN



TIMER



SET



MODE



POWER

⏻ Netzschalter

- Drücken Sie die Einschalttaste, um das Gerät einzuschalten. Die Kontrollleuchte leuchtet auf, die Standardlüftergeschwindigkeit ist hoch und die Standardfeuchtigkeitseinstellung beträgt 50 %.
- Wenn das Gerät in Betrieb ist, drücken Sie die Einschalttaste, um es auszuschalten. Die Betriebsanzeige erlischt und der Kompressor stoppt sofort. 30 Sekunden nach dem Herunterfahren schaltet sich der Lüfter aus.

Ⓜ Modustaste

- Drücken Sie die Modustaste, um zwischen den Modi „Auto“ und „Kontinuierlich“ zu wechseln.
- Zum Umschalten zwischen den Modi einmal drücken, die entsprechende Anzeige leuchtet auf.
- Drücken Sie lange auf die Modustaste, um den Nachtmodus auszuwählen.

Auto-Modus:

- Wenn die eingestellte Umgebungsfeuchtigkeit über 3 % liegt, beginnen Lüfter und Kompressor wie eingestellt zu arbeiten.
- Wenn die eingestellte Umgebungsfeuchtigkeit unter 3 % liegt, stoppt der Kompressor und der Lüfter stoppt nach 30 Sekunden.
- Sowohl die Lüftergeschwindigkeit als auch die Luftfeuchtigkeit können im Automatikmodus angepasst werden.
- Nach der Anpassung der Luftfeuchtigkeit zeigt die Digitalanzeige wieder die Umgebungsfeuchtigkeit an.

Kontinuierlicher Modus:

- In diesem Modus läuft das Gerät kontinuierlich, ohne von der Umgebungsfeuchtigkeit beeinflusst zu werden.
- Die Lüftergeschwindigkeit ist einstellbar, die Feuchtigkeitseinstellung kann jedoch nicht angepasst werden.

Nachtmodus:

- Greifen Sie auf den Nachtmodus zu, indem Sie die Modustaste lange drücken. Wenn im Nachtmodus innerhalb von 10 Sekunden keine Bedienung erfolgt, werden die Betriebsanzeige und die Modusanzeige allmählich dunkler und die anderen Anzeigen und die Digitalanzeige werden ausgeschaltet.
- Drücken Sie eine beliebige Taste, um die normale Anzeige wiederherzustellen.
- Die weiteren Funktionen sind die gleichen wie im automatischen Entfeuchtungsmodus.
- Im Nachtmodus wird im Fehlerfall der Code nicht angezeigt.
- In diesem Modus können Windgeschwindigkeit und Luftfeuchtigkeit angepasst werden.
- Wenn der Wassertank voll ist, ertönt kein Alarm von der Maschine, aber die Kontrollleuchte „Tank voll“ leuchtet auf, um Sie daran zu erinnern, dass der Wassertank voll ist und geleert werden muss.

Schaltfläche „Einstellungen“

- Drücken Sie diese Einstelltaste, um die Luftfeuchtigkeit (30–80 %) oder die Zeit (1–24 h) anzupassen.
- Um die Luftfeuchtigkeit anzupassen, drücken Sie einmal die Einstelltaste.
- Die Feuchtigkeitseinstellung erfolgt in folgender Reihenfolge:
30 % – 35 % – 40 % – 45 % – 50 % – 55 % – 60 % – 65 % – 70 % – 75 % – 80 % – 30 %.
- Um die Zeit anzupassen, drücken Sie einmal, um einen 1-Stunden-Zeitwert hinzuzufügen.
- Der zeitliche Ablauf erfolgt in folgender Reihenfolge:
00-01-02-03-04-05-06-07-08-09-10-11-12-13-14-15-16-17-18-19-20-21-22-23-24-00.

Timer-Taste

- Drücken Sie die Timer-Taste, um die Zeit einzustellen, die Zeit zu überprüfen oder den Vorgang abzubereiten.
- Im Nicht-Timing-Zustand: Drücken Sie die Timing-Taste, um in den Timing-Einstellzustand zu gelangen. Die Digitalanzeige blinkt, um die Zeit anzuzeigen. Während die Digitalanzeige blinkt, drücken Sie die Einstelltaste, um die Zeiteinstellung (0–24 h) vorzunehmen.
- Im Timing-Zustand: Drücken Sie die Zeittaste. Die Digitalanzeige blinkt und zeigt die verbleibende Zeit an. Um die Zeitmessung abzubereiten, drücken Sie die Zeitmesstaste erneut, während die Digitalanzeige blinkt.
- Drücken Sie diese Taste lange, um die Netzwerkkonfiguration zu starten oder die WLAN-Verbindung zu trennen.

Zahnradtaste

- Drücken Sie die Taste einmal, um zwischen niedriger und hoher Geschwindigkeit zu wechseln. Je nach gewählter Geschwindigkeit leuchtet die entsprechende Anzeige auf.

Sicherheitsverriegelungstaste

- Halten Sie die Sperrtaste gedrückt, um die Sicherheitssperrfunktion zu aktivieren oder zu deaktivieren.

HINWEISE

Tankanzeige voll:

- Wenn der Tank 5 Sekunden lang voll ist, wird der Warnalarm aktiviert.
- Die Wassertankanzeige leuchtet auf, auf dem Display wird „FL“ angezeigt und das Gerät piept fünfmal.
- Das Signal wird 5 Sekunden lang erkannt, nachdem das Wasser abgelassen wurde, wenn der Wassertank wieder eingesetzt wird, und läuft gemäß dem Einstellungsstatus, bevor das Wasser voll ist. Beachten Sie die 3-minütige Verzögerung des Kompressorschutzes.

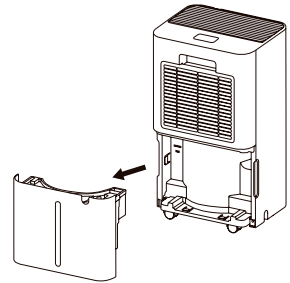
Kontrollleuchten:

- Blau Kontrollleuchte: Die Umgebungsfeuchtigkeit beträgt höchstens 45 %.
- Grüne Kontrollleuchte: Die Umgebungsfeuchtigkeit liegt zwischen 45 und 65 %.
- Rot Kontrollleuchte: Die Umgebungsfeuchtigkeit beträgt mindestens 65 %.

DRAINAGE

Entleeren des Wassertanks.

- Wenn der Tank voll ist, summt das Gerät, das Symbol für vollen Tank leuchtet auf und „FL“ wird auf dem Bildschirm angezeigt.
- Ziehen Sie den Wassertank heraus und schieben Sie ihn einfach aus dem Luftentfeuchtergehäuse.
- Entleeren Sie das Wasser in einen Abfluss oder nach draußen.
- Reinigen Sie sowohl die Innen- als auch die Außenseite des Tanks.
- Setzen Sie den leeren Tank wieder in das Gerät ein.
- Wenn die Kontrollleuchte „Wasser voll“ nicht erlischt, überprüfen Sie, ob der Wassertank richtig positioniert ist.

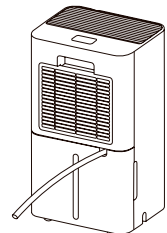


Vorsicht!

- Werfen Sie die Wassertankmagnete oder Kunststoffnieten nicht weg. Andernfalls stoppt die Maschine nicht automatisch den Betrieb, wenn der Wassertank voll ist, und das Kondenswasser läuft über und beschädigt den Boden des Raumes.
- Denken Sie unbedingt daran, das Kondenswasser im Wassertank zu entfernen, bevor Sie die Maschine wieder in den Betriebsmodus versetzen.
- Wenn der Wassertank verschmutzt ist, spülen Sie ihn mit klarem Wasser aus. Vermeiden Sie die Verwendung von Reinigungsmitteln, Stahlkugeln, chemischen Staubentfernern, Dieselmotoren, Benzol, Verdünnern oder anderen Lösungsmitteln. Andernfalls wird der Wassertank beschädigt und kann auslaufen.
- Setzen Sie den leeren Tank wieder in das Gerät ein. Andernfalls bleibt die Wasservollanzeige möglicherweise rot und die Maschine kann nicht mehr betrieben werden.

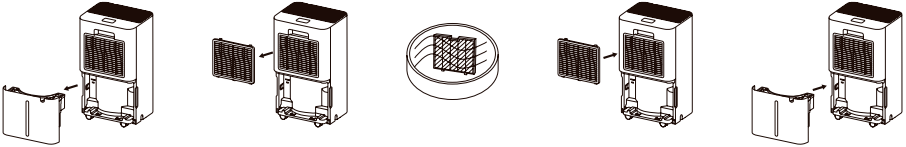
Kontinuierliche Entwässerung.

- Blockieren Sie nicht den Abfluss oder das Abflussrohr, da sonst das Kondenswasser in den Wassertank fließen kann.
- Das Abflussrohr nicht knicken. Die Höhe des Abflussrohres muss niedriger sein als die des Auslasses.
- Das Abflussrohr muss ordnungsgemäß mit dem Auslass verbunden sein.



REINIGUNG UND WARTUNG

- Bevor Sie das Gerät reinigen und warten, schalten Sie es unbedingt aus und ziehen Sie den Netzstecker, um einen Stromschlag zu vermeiden.
- Staub sammelt sich auf dem Filter und behindert den Luftstrom. Ein eingeschränkter Luftstrom verringert die Systemleistung und kann bei einer Blockierung zu Schäden am Gerät führen.
- Der Luftfilter muss regelmäßig gereinigt werden. Der Luftfilter ist zur einfachen Reinigung abnehmbar. Betreiben Sie das Gerät nicht ohne Luftfilter, da sonst der Verdampfer verunreinigt werden kann.
- Es wird empfohlen, den Luftfilter alle zwei Wochen zu reinigen.



1. Entfernen Sie den Wassertank vom Gehäuse und entfernen Sie dann den Filter von der Unterseite des hinteren Gehäuses.
2. Entfernen Sie den Staub vorsichtig mit einem Staubsauger von der Oberfläche.
3. Wenn der Filter stark verschmutzt ist, waschen Sie ihn mit Wasser und einem milden Reinigungsmittel aus und trocknen Sie ihn anschließend gründlich ab.
4. Anschließend den Filter ersetzen.

WLAN-VERBINDUNG



- Die CREATE HOME App ist sowohl für Android als auch für iOS verfügbar (suchen Sie im Google Play Store oder App Store nach der App oder scannen Sie den QR-Code). Je nach Anbieter können für den Download der App Kosten anfallen.
- Mit der App können Sie das Gerät über Ihr Heimnetzwerk steuern. Voraussetzung ist eine permanente WLAN-Verbindung zu Ihrem Router und die kostenlose CREATE HOME App.

- Um ein versehentliches Einschalten während der Abwesenheit zu verhindern, empfehlen wir, das Gerät bei Abwesenheit vom Stromnetz zu trennen.

Laden Sie die App herunter und konfigurieren Sie WLAN

1. Scannen Sie den QR-Code, um die App herunterzuladen und auf Ihrem Gerät zu installieren.
2. Öffnen Sie die App und melden Sie sich an, wenn Sie ein Konto haben. Wenn Sie noch kein Konto haben, wählen Sie „Neuer Benutzer“, um sich zu registrieren und anzumelden.
3. Stellen Sie sicher, dass Sie mit Ihrem WLAN-Netzwerk verbunden sind. Einige Router bieten zwei Standardnetzwerke: 5G und 2,4G. Wenn ja, stellen Sie die Verbindung über das 2,4G-Netzwerk her, da 5G-Netzwerke nicht unterstützt werden.
4. Schalten Sie Ihr Gerät ein, klicken Sie in der App auf die Schaltfläche „Gerät hinzufügen“ und wählen Sie die entsprechende Luftentfeuchterfamilie aus. Platzieren Sie das Gerät in einer maximalen Entfernung von 5 Metern von Ihrem Router.
5. Halten Sie die Taste „Timer“ gedrückt, um die Netzwerkeinrichtung zu starten. Wenn die WLAN-Anzeige blinkt, können Sie eine WLAN-Verbindung herstellen. Nach 3 Minuten wird der Status abgebrochen, wenn keine Netzwerkkonfiguration vorliegt, und die Kontrollleuchte erlischt. Wenn Sie die Verbindung zum WLAN wiederherstellen müssen, drücken Sie lange auf die Taste „Timer“, um die Netzwerkeinrichtung neu zu starten. Die WLAN-Anzeige blinkt dann erneut.
6. Drücken Sie in der App auf „Weiter“. Warten Sie, bis Ihr Roboterstaubsauger die Koppelung abgeschlossen hat. Klicken Sie auf „Fertig“ und genießen Sie Ihren Luftentfeuchter.

FEHLERBEHEBUNG

- Bevor Sie sich an ein professionelles Servicecenter wenden, überprüfen Sie die Checkliste zur Fehlerbehebung auf häufige Probleme, die nicht auf einen Herstellungs- oder Materialfehler zurückzuführen sind.

PROBLEM	URSACHE	LÖSUNG
Das Gerät funktioniert nicht.	• Es gibt keine Stromversorgung.	• Stecken Sie den Luftentfeuchter in eine funktionierende Steckdose und schalten Sie ihn ein.
	• Die Wasservollanzeige blinkt.	• Leeren Sie den Wassertank und setzen Sie ihn wieder ein. • Überprüfen Sie, ob der Tank richtig positioniert ist. Wenn nicht, positionieren Sie ihn richtig.
	• Die Umgebungstemperatur liegt unter 5 °C oder über 35 °C.	• Dieses Gerät verfügt über ein Schutzsystem zum Schutz des Geräts. Wenn die Umgebungstemperatur unter 5 °C oder über 35 °C liegt, funktioniert das Gerät nicht.
Störung im Gerät.	• Der Luftfilter ist verstopft.	• Reinigen Sie den Luftfilter.
	• Der Ansaug- oder Auslasskanal ist verstopft.	• Entfernen Sie die Verstopfung aus dem Auslasskanal und/oder dem Einlasskanal.
Es gibt keinen Lufteinlass in das Gerät.	• Der Luftfilter ist verstopft.	• Reinigen Sie den Luftfilter.
Das Gerät macht im Betrieb laute Geräusche.	• Der Luftentfeuchter steht nicht am richtigen Ort.	• Stellen Sie den Luftentfeuchter an einem für den Betrieb geeigneten Ort auf den Boden.
	• Der Filter ist verstopft.	• Reinigen Sie den Luftfilter.
FL-Nachricht	• Der Wassertank ist voll.	• Leeren Sie den Wassertank.
E1/E2-Meldung	• Es liegt ein Problem mit dem Sensor vor.	• Wechseln Sie den Sensor.



In Übereinstimmung mit den Richtlinien: 2012/19 / EU und 2015/863 / EU über die Beschränkung der Verwendung gefährlicher Stoffe in elektrischen und elektronischen Geräten sowie deren Abfallentsorgung. Das Symbol mit der gekreuzten Mülltonne auf der Verpackung zeigt an, dass das Produkt am Ende seiner Nutzungsdauer als separater Abfall gesammelt wird. Daher muss jedes Produkt, das das Ende seiner Nutzungsdauer erreicht hat, an spezialisierte Abfallentsorgungszentren zur selektiven Sammlung von elektrischen und elektronischen Abfallgeräten geliefert oder beim Kauf ähnlicher neuer Geräte an den Einzelhändler zurückgegeben werden für eine Basis. Die ordnungsgemäße getrennte Sammlung für die spätere Inbetriebnahme von Geräten, die zum umweltfreundlichen Recycling, zur Behandlung und Entsorgung versandt werden, trägt dazu bei, mögliche negative Auswirkungen auf Umwelt und Gesundheit zu vermeiden und das Recycling und die Wiederverwendung zu optimieren die Komponenten, aus denen das Gerät besteht. Die missbräuchliche Beseitigung des Produkts durch den Benutzer impliziert die Anwendung von Verwaltungssanktionen in Übereinstimmung mit den Gesetzen.

Hartelijk dank dat u voor onze luchtontvochtiger hebt gekozen. Lees voor gebruik van het apparaat de instructies zorgvuldig door, zodat u het apparaat correct kunt gebruiken.

Als u de veiligheidsmaatregelen strikt opvolgt, loopt u minder risico op letsel, elektrische schokken of zelfs de dood. Bewaar deze handleiding op een veilige plaats, samen met de originele productverpakking en het aankoopbewijs, zodat u het later nog eens kunt raadplegen. Geef deze instructies indien mogelijk door aan de volgende eigenaar van het apparaat. Volg altijd de basisveiligheidsmaatregelen en regels ter voorkoming van ongelukken wanneer u een elektrisch apparaat gebruikt. Het bedrijf wijst alle aansprakelijkheid af die voortvloeit uit het niet naleven van deze instructies door de klant.

VEILIGHEIDSMATREGELEN

Voordat u een elektrisch apparaat gebruikt, dient u altijd de basisveiligheidsmaatregelen in acht te nemen.

- Dit apparaat kan worden gebruikt door kinderen van 8 jaar en ouder en door personen met verminderde lichamelijke, zintuiglijke of geestelijke vermogens of met een gebrek aan ervaring en kennis, mits zij onder toezicht staan of instructies hebben gekregen over het veilige gebruik van het apparaat en zij begrijpen welke gevaren het apparaat met zich meebrengt.
- Kinderen mogen niet met het apparaat spelen. Reiniging en onderhoud mogen niet door kinderen worden uitgevoerd.
- Het apparaat is uitsluitend ontworpen voor gebruik met R-290 (propaan) gas als aangewezen koelmiddel.
- Het koelmiddelcircuit is afgedicht. Onderhoud mag uitsluitend worden uitgevoerd door een gekwalificeerde technicus.
- R-290 (propaan) is brandbaar en zwaarder dan lucht. Het verzamelt zich eerst in de lagere gedeeltes, maar kan dankzij de ventilatoren circuleren. Als er propaangas aanwezig is of het vermoeden bestaat dat er propaangas aanwezig is, mag u niet toestaan dat ongeschoold personeel op zoek gaat naar de oorzaak.
- Het propaangas dat in het apparaat wordt gebruikt, is geurloos. Het ontbreken van geur betekent niet dat er geen gaslekken zijn. Indien er een lek wordt ontdekt, dient u onmiddellijk alle personen uit de ruimte te evacueren, de ruimte te ventileren en contact op te nemen met de plaatselijke brandweer om hen te informeren over een propaanlek. Laat niemand de ruimte weer betreden totdat een gekwalificeerde servicetechnicus is gearriveerd en u heeft uitgelegd dat het veilig is om terug te keren naar de winkel.
- Open vuur, sigaretten of andere mogelijke ontstekingsbronnen mogen niet in of in de buurt van de units worden gebruikt.
- De onderdelen zijn ontworpen voor propaan en produceren geen vonken. Onderdelen worden uitsluitend vervangen door identieke reparatieonderdelen en door gekwalificeerd personeel.

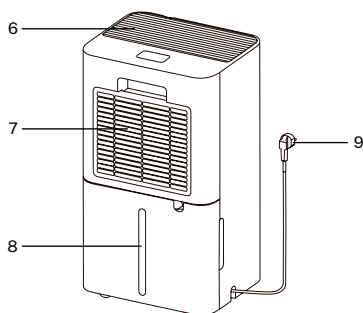
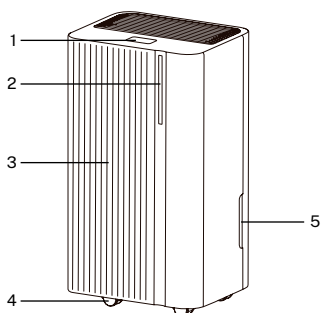
- Als u deze waarschuwingen niet opvolgt, kan dit leiden tot een explosie, schade aan eigendommen, letsel of zelfs de dood.
- Als het netsnoer beschadigd is, moet het door de fabrikant, diens serviceagent of een persoon met vergelijkbare kwalificaties worden vervangen om gevaar te voorkomen.
- Haal altijd de stekker van het apparaat uit het stopcontact tijdens onderhoud.
- Gebruik het apparaat altijd met een voeding met dezelfde spanning, frequentie en vermogen als aangegeven op het identificatieplaatje van het product.
- Gebruik altijd een geaard stopcontact.
- Haal de stekker uit het stopcontact wanneer u het apparaat schoonmaakt of niet gebruikt.
- Gebruik het apparaat niet met natte handen. Zorg ervoor dat er geen water op het apparaat valt.
- Dompel het apparaat niet onder in regen, vocht of andere vloeistoffen en stel het daar niet aan bloot.
- Laat het apparaat niet onbeheerd achter als het aan staat. Kantel of draai het apparaat niet.
- Haal de stekker van het apparaat niet uit het stopcontact terwijl het in gebruik is.
- Trek niet aan het snoer om het apparaat uit het stopcontact te halen.
- Gebruik geen adapters of verlengsnoeren.
- Plaats geen voorwerpen op het apparaat en ga er niet op staan of zitten.
- Steek geen vingers of andere voorwerpen in de luchtuitlaat.
- Raak de luchtinlaat of de aluminium vinnen van het apparaat niet aan.
- Gebruik het apparaat niet als het is gevallen, beschadigd is of tekenen van een defect vertoont.
- Maak het apparaat niet schoon met chemicaliën.
- Zorg ervoor dat het apparaat uit de buurt van vuur en ontvlambare of explosieve voorwerpen staat.
- Het apparaat moet worden geïnstalleerd volgens de nationale bedravingsvoorschriften.
- Gebruik geen andere middelen om het ontdooiproces te versnellen of het product te reinigen dan de door de fabrikant aanbevolen middelen.
- Het apparaat moet worden opgeslagen in een ruimte zonder continu werkende bronnen (bijvoorbeeld: open vuur, een werkend gasapparaat of een werkende elektrische kachel).
- Het apparaat moet zo worden opgeslagen dat er geen mechanische schade ontstaat.
- Snijd of verbrand het apparaat niet, ook niet na gebruik.
- Houd er rekening mee dat koelmiddelen geen geur mogen bevatten.
- Buizen moeten worden beschermd tegen fysieke beschadigingen en mogen niet in een ongeventileerde ruimte worden geïnstalleerd als de ruimte kleiner is dan 4 m².

- De nationale gasvoorschriften moeten altijd in acht worden genomen.
- Zorg ervoor dat de benodigde ventilatieopeningen vrij blijven.
- Het apparaat moet worden opgeslagen in een goed geventileerde ruimte waarvan de afmetingen overeenkomen met de voor gebruik gespecificeerde ruimte.
- Iedereen die aan een koelcircuit werkt of ingrijpt, moet in het bezit zijn van een geldig certificaat van een door de branche geaccrediteerde beoordelingsinstantie. Hierin staat dat hij of zij bekwaam is om op veilige wijze met koelmiddelen om te gaan, conform een door de branche erkende beoordelingspecificatie.
- Onderhoud wordt uitsluitend uitgevoerd volgens de aanbevelingen van de fabrikant van de apparatuur. Onderhouds- en reparatiewerkzaamheden waarvoor de hulp van ander gekwalificeerd personeel nodig is, moeten worden uitgevoerd onder toezicht van een persoon die bevoegd is om met ontvlambare koelmiddelen te werken.
- Als u iets niet begrijpt of hulp nodig heeft, neem dan contact op met de klantenservice.
- Gebiedscontroles: Voordat er met werkzaamheden aan systemen met ontvlambare koelmiddelen wordt begonnen, moeten er veiligheidscontroles worden uitgevoerd om ervoor te zorgen dat het ontstekingsrisico tot een minimum wordt beperkt. Bij het repareren van het koelsysteem moeten enkele basisvoorzorgsmaatregelen in acht worden genomen voordat er werkzaamheden aan het systeem worden uitgevoerd.
- Werkwijze: De werkzaamheden worden volgens een gecontroleerde procedure uitgevoerd, om het risico op de aanwezigheid van brandbare gasen of dampen tijdens de werkzaamheden tot een minimum te beperken.
- Algemeen werkgebied: Al het onderhoudspersoneel en andere personen die betrokken zijn bij het onderhoud, dienen te worden geïnstrueerd over de aard van de uit te voeren werkzaamheden. Werken in besloten ruimten wordt vermeden. Het werkgebied wordt afgebakend. Er wordt gezorgd voor veilige omstandigheden in het gebied door brandbaar materiaal onder controle te houden.
- Controleren op aanwezigheid van koelvloeistof: Het gebied wordt vóór en tijdens de werkzaamheden gecontroleerd met een geschikte koelmiddeldetector om ervoor te zorgen dat de technicus op de hoogte is van potentieel ontvlambare atmosferen. Zorg ervoor dat de gebruikte lekdetectieapparatuur geschikt is voor gebruik met ontvlambare koelmiddelen. Dat wil zeggen: vonkvrij, goed afgedicht of intrinsiek veilig.
- Aanwezigheid van brandblusser: Indien er werkzaamheden met hoge temperaturen aan de koelapparatuur of aan de bijbehorende onderdelen moeten worden uitgevoerd, dienen er geschikte brandblusapparatuur direct beschikbaar te zijn. Zorg dat er een poederblusser of een CO₂-brandblusser in de buurt van de laadruimte is.
- Geen ontstekingsbron: Personen die werkzaamheden uitvoeren aan een koelsysteem waarbij leidingen die ontvlambaar koelmiddel bevatten of hebben bevat, worden blootgesteld, mogen geen ontstekingsbronnen op zodanige wijze gebruiken dat er brand- of explosiegevaar kan ontstaan.

Alle mogelijke ontstekingsbronnen, waaronder het roken van sigaretten, moeten op voldoende afstand worden gehouden van de installatie-, reparatie-, demontage- en afvallocatie, aangezien er dan onvlambaar koelmiddel in de omliggende ruimte kan vrijkomen. Voordat met de werkzaamheden wordt begonnen, moet de omgeving van de apparatuur worden geïnspecteerd om er zeker van te zijn dat er geen brandgevaar of ontstekingsrisico is.

- Geventileerde ruimte: Zorg ervoor dat de ruimte zich buiten bevindt of voldoende geventileerd is voordat u het systeem opent of werkzaamheden met hoge temperaturen uitvoert. Gedurende de werkzaamheden is het noodzakelijk dat er een zekere mate van ventilatie aanwezig is. Het is belangrijk dat vrijgekomen koelmiddel via ventilatie op een veilige manier wordt afgevoerd en bij voorkeur naar buiten in de atmosfeer wordt afgevoerd.
- Controle van koelapparatuur: Bij het vervangen van elektrische componenten moeten deze geschikt zijn voor het beoogde doel en voldoen aan de juiste specificaties. De onderhouds- en servicerichtlijnen van de fabrikant worden te allen tijde gevolgd. Raadpleeg bij twijfel de technische dienst van de fabrikant.
- Bij installaties waarin gebruik wordt gemaakt van onvlambare koelmiddelen, worden de volgende controles uitgevoerd:
 - De grootte van de vulling is afhankelijk van de grootte van de ruimte waarin de onderdelen die koelmiddel bevatten, zijn geïnstalleerd.
 - De ventilatiesystemen en ventilatieopeningen werken goed en zijn niet geblokkeerd.
 - Indien er gebruik wordt gemaakt van een indirect koelcircuit, wordt gecontroleerd op de aanwezigheid van koelmiddel in het secundaire circuit.
 - De markering op het toestel blijft zichtbaar en leesbaar. Onleesbare markeringen en bordes moeten worden gecorrigeerd.
 - Koelleidingen of -componenten worden op een plaats geïnstalleerd waar ze waarschijnlijk niet worden blootgesteld aan stoffen die corrosie kunnen veroorzaken op componenten die koelmiddel bevatten, tenzij de componenten zijn gemaakt van materialen die intrinsiek corrosiebestendig zijn of op adequate wijze tegen dergelijke corrosie zijn beschermd.
- Elektrische apparaten controleren: Reparatie en onderhoud van elektrische componenten omvatten initiële veiligheidscontroles en inspectieprocedures voor componenten. Indien er een storing optreedt die de veiligheid in gevaar kan brengen, wordt er geen stroom op het circuit aangesloten totdat de storing naar tevredenheid is verholpen. Indien de storing niet direct kan worden verholpen, maar voortzetting van de werkzaamheden noodzakelijk is, dient een geschikte tijdelijke oplossing te worden toegepast. De eigenaar van de apparatuur wordt op de hoogte gebracht, zodat alle partijen op de hoogte zijn.
- De eerste veiligheidscontroles omvatten:
 - Ontlaad de condensatoren: Dit moet veilig gebeuren om vonken te voorkomen.
 - Stel geen elektrische componenten en bedrading bloot die onder spanning staan tijdens het opladen, herstellen of zuiveren van het systeem.
 - Zorg voor een goede aarding.

ONDERDELENLIJST



- | | | |
|---|-------------------|--------------------------|
| 1. Configuratiescherm en digitaal display | 4. Wielen | 7. Luchtfilter |
| 2. Lichtgevend scherm | 5. Waterreservoir | 8. Waterniveau-indicator |
| 3. Voorpaneel | 6. Luchtuitlaat | 9. Stroomkabel |

VEILIGE OMGANG MET HET APPARAAT

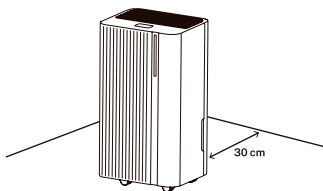
- Controleer het apparaat na het uitpakken op beschadigingen of krassen.
- Niet buitenshuis gebruiken. Deze luchtontvochtiger is uitsluitend bedoeld voor gebruik binnenshuis.
- Als het apparaat meer dan 45° gekanteld is, laat het dan minimaal 24 uur rechtop staan voordat u het gebruikt.
- Houd de deuren en ramen van de kamer gesloten om nog meer energie te besparen.
- Gebruik of bewaar het apparaat niet in direct zonlicht of regen.
- Het is normaal dat de luchtuitlaat warm aanvoelt na continu gebruik op warme dagen.
- Maak het waterreservoir leeg voordat u het apparaat verplaatst.
- Zorg ervoor dat het waterreservoir goed geplaatst is, anders werkt het apparaat niet.
- De luchtontvochtiger start in de modus die geselecteerd was toen het apparaat de laatste keer werd gebruikt.
- De luchtontvochtiger start met ontvochtigen als de luchtvochtigheid in de ruimte 3% hoger is dan de geselecteerde luchtvochtigheid.
- De compressor heeft een beschermingsvertraging van 3 minuten. Wacht 3 minuten totdat de luchtontvochtiger weer gaat ontvochtigen.
- Gebruik het apparaat niet in de buurt van muren, gordijnen of andere objecten die de luchtinlaat en -uitlaat kunnen blokkeren. Zorg ervoor dat de luchtinlaat en -uitlaat vrij zijn van obstakels.
- Stel de windgeleider voor aanvang van de rit omhoog af.

Bedrijfstemperatuur:

- Gebruik dit apparaat bij een kamertemperatuur tussen 5°C en 35°C.
- Wanneer de omgevingstemperatuur lager of hoger is dan de bedrijfstemperatuur, stopt de luchtontvochtiger.
- Wanneer de omgevingstemperatuur tussen 5°C en 16°C ligt, zal de compressor automatisch met tussenpozen ontdooien. Tijdens het ontdooien stopt de compressor en blijft de ventilator draaien.

FACILITEIT

- Plaats het apparaat op een stevig, vlak oppervlak met minimaal 30 cm vrije ruimte eromheen, zodat er voldoende luchtcirculatie mogelijk is.
- Installeer het apparaat nooit op een plaats waar het wordt blootgesteld aan warmtebronnen zoals radiatoren, warmteroosters, fornuizen of andere warmteproducerende producten, in een ruimte die blootstaat aan olie- of waterspatten, direct zonlicht, mechanische trillingen of schokken, overmatig stof, gebrek aan ventilatie, zoals in een kast of boekenkast, op een oneffen oppervlak, etc.
- Installeer het apparaat in ruimtes groter dan 4 m².
- Installeer het apparaat niet op een plaats waar ontvlambaar gas kan lekken.



BEDIENINGSPANEEL



⏻ Aan/uit-knop

- Druk op de aan/uit-knop om het apparaat in te schakelen. Het indicatielampje gaat branden, de ventilatorsnelheid wordt standaard hoog ingesteld en de luchtvochtigheid is standaard ingesteld op 50%.
- Wanneer het apparaat werkt, drukt u op de aan/uit-knop om het uit te schakelen. Het werkingsindicielampje gaat uit en de compressor stopt onmiddellijk. Na 30 seconden uitschakelen schakelt de ventilator uit.

Ⓜ Modusknop

- Druk op de modusknop om te schakelen tussen de automatische en continue modus.
- Druk eenmaal om te wisselen tussen de modi; de bijbehorende indicator licht op.
- Druk lang op de modusknop om de nachtmodus te selecteren.

Automatische modus:

- Wanneer de ingestelde luchtvochtigheid in de omgeving hoger is dan 3%, starten de ventilator en compressor zoals ingesteld.
- Wanneer de ingestelde luchtvochtigheid lager is dan 3%, stopt de compressor met werken en stopt de ventilator na 30 seconden.
- In de automatische modus kunnen zowel de ventilatorsnelheid als de luchtvochtigheid worden aangepast.
- Nadat u de luchtvochtigheid hebt aangepast, geeft het digitale display weer de omgevingsluchtvochtigheid weer.

Continue modus:

- In deze modus werkt het apparaat continu, zonder dat het last heeft van de luchtvochtigheid in de omgeving.
- De ventilatorsnelheid is regelbaar, maar de luchtvochtigheid kan niet worden aangepast.

Nachtmodus:

- U krijgt toegang tot de nachtmodus door lang op de modusknop te drukken. Als er in de nachtmodus gedurende 10 seconden geen handeling wordt uitgevoerd, dimmen de aan/uit-indicator en de modusindicator geleidelijk. Ook de andere indicatoren en het digitale display worden uitgeschakeld.
- Druk op een willekeurige knop om het normale scherm te herstellen.
- De overige functies zijn gelijk aan die van de automatische ontvochtigingsmodus.
- In de nachtmodus wordt de code niet weergegeven als er een storing is.
- In deze modus kunt u de windsnelheid en de luchtvochtigheid aanpassen.
- Wanneer de watertank vol is, geeft het apparaat geen alarmsignaal, maar gaat het controlelampje voor de volle tank branden om u eraan te herinneren dat de watertank vol is en geleegd moet worden.

Instellingenknop

- Druk op deze instelknop om de luchtvochtigheid (30-80%) of de tijd (1-24 uur) aan te passen.
- Druk eenmaal op de instelknop om de luchtvochtigheid aan te passen.
- De aanpassing van de luchtvochtigheid verloopt in de volgende volgorde: 30%-35%-40%-45%-50%-55%-60%-65%-70%-75%-80%-30%.
- Om de tijd aan te passen, drukt u eenmaal om een tijdswaarde van 1 uur toe te voegen.
- De timing volgt de volgende volgorde: 00-01-02-03-04-05-06-07-08-09-10-11-12-13-14-15-16-17-18-19-20-21-22-23-24-00.

Timerknop

- Druk op de timertoets om de tijd in te stellen, de tijd te controleren of te annuleren.
- In de niet-timing-status: Druk op de timingtoets om naar de timinginstellingsstatus te gaan. Het digitale display knippert om de tijd weer te geven. Terwijl het digitale display knippert, drukt u op de insteltoets om de tijd in te stellen (0~24 uur).
- In de timingstatus: Druk op de timingtoets. Het digitale display zal knipperen en de resterende timingtijd weergeven. Om de tijdsopname te annuleren, drukt u nogmaals op de tijdstoets terwijl het digitale display knippert.
- Houd deze toets lang ingedrukt om de netwerkconfiguratie te starten of de WIFI te verbreken.

Versnellingsknop

- Druk eenmaal op de knop om te wisselen tussen lage of hoge snelheid. De bijbehorende indicator licht op afhankelijk van de geselecteerde snelheid.

Veiligheidsvergrendelingsknop

- Houd de vergrendelknop ingedrukt om de veiligheidsvergrendelingsfunctie te activeren of deactiveren.

MEDEDELINGEN

Indicator volle tank:

- Wanneer de tank 5 seconden lang vol is, wordt het waarschuwingsalarm geactiveerd.
- De watertankindicator licht op, op het display verschijnt "FL" en het apparaat piept 5 keer.
- Het signaal wordt 5 seconden lang gedetecteerd nadat het water is afgevoerd en de watertank is teruggeplaatst. Het apparaat draait volgens de instellingen voordat het water vol is. Voldoe aan de 3 minuten vertraging van de compressorbeveiliging.

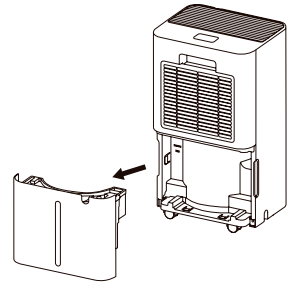
Indicatielampjes:

- Blauw indicatielampje: De luchtvochtigheid in de omgeving is gelijk aan of lager dan 45%.
- Groen indicatielampje: De luchtvochtigheid ligt tussen de 45 en 65%.
- Rood indicatielampje: De luchtvochtigheid in de omgeving is gelijk aan of groter dan 65%.

AFWATERING

Het waterreservoir legen.

- Wanneer de tank vol is, zal het apparaat zoemen, zal het volle tank-icoontje oplichten en zal "FL" op het scherm verschijnen.
- Trek het waterreservoir eruit en schuif het eenvoudig uit de behuizing van de luchtontvochtiger.
- Giet het water in een afvoer of buiten.
- Maak zowel de binnen-als de buitenkant van de tank schoon.
- Plaats de lege tank terug in het apparaat.
- Als het lampje voor vol water niet uitgaat, controleer dan of de watertank correct is geplaatst.

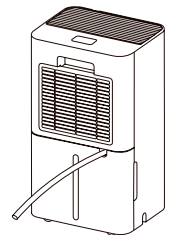


Voorzichtigheid!

- Gooi de magneten en de kunststof klinknagels van het waterreservoir niet weg. Anders stopt het apparaat niet automatisch met werken als de watertank vol is, waardoor het condenswater overstroomt en de vloer van de kamer beschadigt.
- Zorg ervoor dat u het condenswater in het waterreservoir schoonmaakt voordat u het apparaat weer in de werkmodus zet.
- Als het waterreservoir vuil is, spoel het dan met schoon water. Gebruik geen schoonmaakmiddelen, stalen kogels, chemische stofverwijderaars, dieselbrandstof, benzeen, verdunners of andere oplosmiddelen. Anders raakt de watertank beschadigd en kan deze gaan lekken.
- Plaats de lege tank terug in het apparaat. Anders kan het zijn dat de indicator voor vol water rood blijft en het apparaat niet meer kan werken.

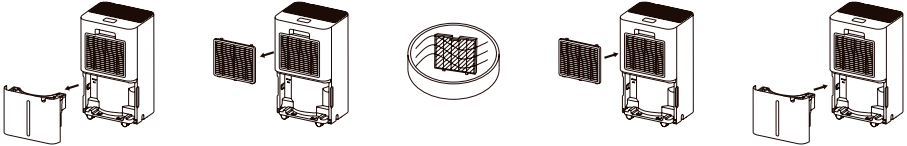
Continue drainage.

- Blokkeer de afvoer of afvoerbuis niet, anders kan het condenswater in de watertank stromen.
- Buig de afvoerbuis niet. De hoogte van de afvoerbuis moet lager zijn dan de hoogte van de uitlaat.
- De afvoerleiding moet op de juiste manier op de uitlaat worden aangesloten.



REINIGING EN ONDERHOUD

- Zorg ervoor dat u het apparaat uitschakelt en de stekker uit het stopcontact haalt voordat u het reinigt of onderhoudt, om elektrische schokken te voorkomen.
- Stof verzamelt zich op het filter en belemmert de luchtstroom. Beperkte luchtstroom vermindert de efficiëntie van het systeem en kan, indien geblokkeerd, schade aan het apparaat veroorzaken.
- Het luchtfilter moet regelmatig worden schoongemaakt. Het luchtfilter is verwijderbaar en dus eenvoudig te reinigen. Gebruik het apparaat niet zonder luchtfilter, anders kan de verdampers vervuild raken.
- Het wordt aanbevolen het luchtfilter iedere twee weken schoon te maken.



1. Verwijder het waterreservoir uit de behuizing en verwijder vervolgens het filter aan de onderkant van de achterste behuizing.
2. Gebruik een stofzuiger om voorzichtig stof van het oppervlak te verwijderen.
3. Als het filter erg vuil is, was het dan met water en een mild schoonmaakmiddel en droog het daarna grondig af.
4. Vervang vervolgens het filter.

WIFI-VERBINDING



- De CREATE HOME app is beschikbaar voor Android en iOS (zoek de app op Google Play of de App Store of scan de QR-code). Afhankelijk van de aanbieder kunnen er kosten verbonden zijn aan het downloaden van de app.
- Met de app kunt u het apparaat bedienen via uw thuisnetwerk. Voorwaarde is een permanente wifi-verbinding met uw router en de gratis CREATE HOME-app.

- Wij adviseren u om het apparaat los te koppelen van de stroomvoorziening wanneer u niet thuis bent, om te voorkomen dat het apparaat per ongeluk wordt ingeschakeld terwijl u weg bent.

Download de app en configureer wifi

1. Scan de QR-code om de app te downloaden en te installeren op uw apparaat.
2. Open de app en log in als u een account heeft. Als u er nog geen heeft, selecteer dan 'Nieuwe gebruiker' om u te registreren en in te loggen.
3. Zorg ervoor dat u verbonden bent met uw WIFI-netwerk. Sommige routers bieden twee standaardnetwerken: 5G en 2.4G. Indien dit het geval is, maak dan verbinding via het 2.4G-netwerk. 5G-netwerken worden namelijk niet ondersteund.
4. Schakel uw apparaat in en klik in de APP op de knop "Apparaat toevoegen" en selecteer de bijbehorende luchtontvochtigerfamilie. Plaats het apparaat op een maximale afstand van 5 meter van uw router.
5. Houd de knop "Timer" ingedrukt om de netwerkinstelling te starten. Wanneer de WIFI-indicator knippert, kunt u verbinding maken met WIFI. Als er gedurende 3 minuten geen netwerkconfiguratie is, wordt de status geannuleerd en gaat het indicatielampje uit. Als u opnieuw verbinding moet maken met Wi-Fi, drukt u lang op de knop 'Timer' om de netwerkinstellingen opnieuw te starten. De Wi-Fi-indicator knippert dan opnieuw.
6. Druk in de app op 'Volgende'. Wacht tot uw robotstofzuiger klaar is met koppelen. Klik op "Voltooien" en begin met genieten van uw luchtontvochtiger.

PROBLEEMOPLOSSING

- Voordat u contact opneemt met een professioneel servicecentrum, raadpleegt u de checklist voor probleemoplossing voor veelvoorkomende problemen die niet het gevolg zijn van een productie- of materiaalfout.

PROBLEEM	OORZAAK	OPLOSSING
Het apparaat werkt niet.	• Er is geen elektriciteit.	• Sluit de luchtontvochtiger aan op een werkend stopcontact en zet hem aan.
	• De indicator voor vol water knippert.	• Maak het waterreservoir leeg en plaats het terug. • Controleer of de tank goed geplaatst is. Indien dit niet het geval is, plaats hem dan goed.
	• De omgevingstemperatuur is lager dan 5°C of hoger dan 35°C.	• Dit apparaat is voorzien van een beveiligingssysteem dat het apparaat beschermt. Als de omgevingstemperatuur lager is dan 5°C of hoger dan 35°C, werkt het apparaat niet.
Er is een storing in het apparaat.	• Het luchtfilter is verstopt.	• Maak het luchtfilter schoon.
	• Het inlaat- of afvoerkanaal is verstopt.	• Verwijder de verstopping uit het afvoerkanaal en/of inlaatkanaal.
Er is geen luchtinlaat in het apparaat.	• Het luchtfilter is verstopt.	• Maak het luchtfilter schoon.
Het apparaat maakt veel lawaai tijdens gebruik.	• De luchtontvochtiger staat niet op de juiste locatie.	• Plaats de luchtontvochtiger op de vloer, op een locatie die geschikt is voor gebruik.
	• Het filter is verstopt.	• Maak het luchtfilter schoon.
FL-bericht	• Het waterreservoir is vol.	• Maak het waterreservoir leeg.
E1/E2-bericht	• Er is een probleem met de sensor.	• Vervang de sensor.



In overeenstemming met de richtlijnen: 2012/19 / EU en 2015/863 / EU betreffende de beperking van het gebruik van gevaarlijke stoffen in elektrische en elektronische apparatuur, evenals hun afvalverwerking. Het symbool met de gekruiste vuilnisbak op de verpakking geeft aan dat het product aan het einde van zijn levensduur als gescheiden afval wordt ingezameld. Daarom moet elk product dat het einde van zijn levensduur heeft bereikt, worden afgeleverd bij gespecialiseerde afvalverwijderingscentra voor de selectieve inzameling van afgedankte elektrische en elektronische apparatuur, of bij de aankoop van soortgelijke nieuwe apparatuur in één keer aan de detailhandelaar worden geretourneerd. voor één basis. Een juiste gescheiden inzameling voor latere inbedrijfstelling van apparatuur die wordt verzonden om te worden gerecycled, behandeld en op milieuvriendelijke wijze afgevoerd, helpt mogelijke negatieve effecten op het milieu en de gezondheid te voorkomen en optimaliseert recycling en hergebruik van de componenten waaruit het apparaat bestaat. De onrechtmatige eliminatie van het product door de gebruiker impliceert de toepassing van administratieve sancties in overeenstemming met de wetten.

Dziękujemy bardzo za wybranie naszego osuszacza powietrza. Przed użyciem tego urządzenia prosimy o dokładne zapoznanie się z niniejszą instrukcją, celem zapewnienia prawidłowego użytkowania.

Ścisłe przestrzeganie podanych środków ostrożności zmniejszy ryzyko obrażeń, porażenia prądem lub nawet śmierci. Przechowuj tę instrukcję w bezpiecznym miejscu, aby móc z niej skorzystać w przyszłości, wraz z oryginalnym opakowaniem produktu i dowodem zakupu. Jeżeli to możliwe, przekaż tę instrukcję następnemu właścicielowi urządzenia. Używając urządzeń elektrycznych, zawsze przestrzegaj podstawowych zasad bezpieczeństwa i zapobiegania wypadkom. Firma nie ponosi żadnej odpowiedzialności wynikającej z niedopełnienia przez klienta obowiązku stosowania się do niniejszych instrukcji.

ŚRODKI OSTROŻNOŚCI

Przed użyciem jakiegokolwiek urządzenia elektrycznego należy zawsze zachować podstawowe środki ostrożności.

- To urządzenie może być używane przez dzieci w wieku od 8 lat oraz osoby o ograniczonej sprawności fizycznej, sensorycznej lub umysłowej, a także osoby nieposiadające odpowiedniego doświadczenia lub wiedzy, jeśli znajdują się pod nadzorem lub zostały poinstruowane na temat bezpiecznego korzystania z urządzenia i rozumieją związane z tym zagrożenia.
- Dzieci nie powinny bawić się urządzeniem. Dzieci nie powinny wykonywać czynności związanych z czyszczeniem i konserwacją.
- Urządzenie jest przeznaczone do użytku wyłącznie z gazem R-290 (propanem) jako wyznaczonym czynnikiem chłodniczym.
- Układ chłodzenia jest uszczelniony. Czynności konserwacyjne powinien wykonywać wyłącznie wykwalifikowany technik.
- R-290 (propan) jest łatwopalny i cięższy od powietrza. Najpierw gromadzi się w dolnych partiach, ale dzięki wentylatorom może krążyć. W przypadku obecności lub podejrzenia obecności propanu nie należy pozwalać osobom nieprzeszkolonym na ustalanie przyczyny.
- Gaz propanowy stosowany w urządzeniu jest bezwonny. Brak zapachu nie oznacza, że nie ma wycieku gazu. W przypadku wykrycia wycieku należy natychmiast ewakuować wszystkie osoby z pomieszczenia, przewietrzyć pomieszczenie i skontaktować się z lokalną strażą pożarną, aby poinformować o wycieku propanu. Nie pozwalaj nikomu ponownie wejść do pomieszczenia, dopóki nie przybędzie wykwalifikowany technik serwisowy i nie poinformuje Cię, że możesz bezpiecznie wrócić do sklepu.
- Wewnątrz lub w pobliżu jednostek nie należy używać otwartego ognia, papierosów ani innych potencjalnych źródeł zapłonu.
- Komponenty są przeznaczone do propanu i nie wytwarzają iskier. Podzespoły będą wymieniane wyłącznie na identyczne części zamienne i przez wykwalifikowany personel.
- Niezastosowanie się do tych ostrzeżeń może spowodować wybuch, uszkodzenie mienia, obrażenia ciała, a nawet śmierć.

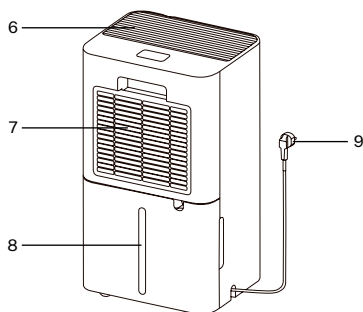
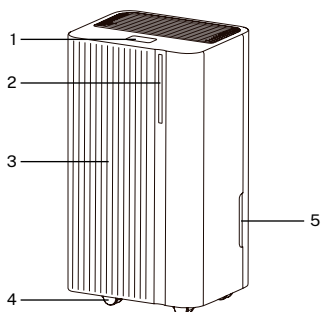
- Jeśli przewód zasilający jest uszkodzony, musi zostać wymieniony przez producenta, jego przedstawiciela serwisowego lub podobnie wykwalifikowaną osobę, aby uniknąć zagrożenia.
- Podczas konserwacji należy zawsze odłączyć urządzenie od źródła zasilania.
- Zawsze podłączaj urządzenie do źródła zasilania o tym samym napięciu, częstotliwości i mocy, jakie podano na tabliczce znamionowej produktu.
- Zawsze używaj uziemionego gniazdka.
- Odłącz przewód zasilający przed czyszczeniem lub gdy nie używasz urządzenia.
- Nie należy obsługiwać urządzenia mokrymi rękami. Unikaj dostania się wody na urządzenie.
- Nie zanurzaj urządzenia ani nie narażaj go na działanie deszczu, wilgoci ani innych płynów.
- Nie pozostawiaj włączonego urządzenia bez nadzoru. Nie przechylaj i nie obracaj urządzenia.
- Nie odłączaj urządzenia od zasilania, gdy jest w użyciu.
- Nie odłączaj urządzenia ciągnąc za przewód zasilający.
- Nie należy używać adapterów ani przedłużaczy.
- Nie należy umieszczać żadnych przedmiotów na urządzeniu, stawać na nim ani siadać na nim.
- Nie wkładaj palców ani innych przedmiotów do otworu wylotowego powietrza.
- Nie dotykaj wlotu powietrza ani aluminiowych żeberek urządzenia.
- Nie używaj urządzenia, jeśli upadło, jest uszkodzone lub nosi ślady nieprawidłowego działania.
- Nie czyść urządzenia środkami chemicznymi.
- Upewnij się, że urządzenie znajduje się z dala od ognia i przedmiotów łatwopalnych lub wybuchowych.
- Urządzenie należy zainstalować zgodnie z krajowymi przepisami dotyczącymi okablowania.
- Nie należy stosować żadnych innych środków przyspieszających rozmrażanie lub czyszczących produkt niż te zalecane przez producenta.
- Urządzenie należy przechowywać w pomieszczeniu, w którym nie ma źródeł ciągłej pracy (na przykład: otwartego ognia, włączonego urządzenia gazowego lub włączonego grzejnika elektrycznego).
- Urządzenie należy przechowywać w sposób uniemożliwiający wystąpienie uszkodzeń mechanicznych.
- Nie przecinaj i nie spalaj urządzenia, nawet po użyciu.
- Należy pamiętać, że czynniki chłodnicze nie muszą mieć żadnego zapachu.
- Rury muszą być chronione przed uszkodzeniami fizycznymi i nie wolno ich instalować w pomieszczeniach niewentylowanych, jeżeli powierzchnia pomieszczenia jest mniejsza niż 4 m².
- Należy zawsze przestrzegać krajowych przepisów dotyczących gazu.
- Utrzymuj otwory wentylacyjne drożne.

- Urządzenie należy przechowywać w dobrze wentylowanym pomieszczeniu, w którym powierzchnia pomieszczenia odpowiada powierzchni przeznaczonej do eksploatacji.
- Każda osoba pracująca lub dokonująca ingerencji w obwód chłodniczy musi posiadać ważny certyfikat wystawiony przez akredytowany w branży organ oceniający, potwierdzający jej kompetencje do bezpiecznego obchodzenia się z czynnikami chłodniczymi zgodnie ze specyfikacją oceny uznawaną w branży.
- Prace konserwacyjne należy wykonywać wyłącznie zgodnie z zaleceniami producenta sprzętu. Prace konserwacyjne i naprawy wymagające pomocy innego wykwalifikowanego personelu powinny być wykonywane pod nadzorem osoby posiadającej kwalifikacje w zakresie stosowania łatwopalnych czynników chłodniczych.
- Jeżeli czegoś nie rozumiesz lub potrzebujesz pomocy, skontaktuj się z obsługą klienta.
- Kontrole obszarowe: Przed rozpoczęciem pracy w układach zawierających łatwopalne czynniki chłodnicze należy przeprowadzić kontrolę bezpieczeństwa, aby zminimalizować ryzyko zapłonu. W przypadku napraw układu chłodzenia, przed przystąpieniem do prac przy układzie należy zachować podstawowe środki ostrożności.
- Procedura pracy: Prace będą wykonywane w sposób kontrolowany, aby zminimalizować ryzyko obecności łatwopalnych gazów lub oparów w trakcie pracy.
- Ogólny obszar roboczy: Cały personel zajmujący się konserwacją i inne osoby pracujące przy konserwacji muszą zostać poinstruowane o charakterze wykonywanych prac. Będziemy unikać pracy w przestrzeniach zamkniętych. Obszar roboczy będzie wyznaczony. Zapewnienie bezpieczeństwa na tym obszarze będzie możliwe poprzez kontrolę materiałów łatwopalnych.
- Sprawdzanie obecności płynu chłodzącego: Przed rozpoczęciem pracy oraz w jej trakcie obszar będzie sprawdzany za pomocą odpowiedniego detektora czynnika chłodniczego, aby upewnić się, że technik jest świadomy obecności potencjalnie łatwopalnych atmosfer. Upewnij się, że używany sprzęt do wykrywania nieszczelności jest przeznaczony do stosowania z łatwopalnymi czynnikami chłodniczymi, tzn. nieiskrzący, odpowiednio uszczelniony lub iskrobezpieczny.
- Obecność gaśnicy: W przypadku konieczności wykonania jakichkolwiek prac wymagających wysokiej temperatury przy urządzeniach chłodniczych lub ich podzespołach, należy zapewnić łatwy dostęp do odpowiedniego sprzętu gaśniczego. W pobliżu miejsca załadunku należy umieścić gaśnicę proszkową lub na CO₂.
- Brak źródła zapłonu: Żadna osoba wykonująca prace związane z układem chłodniczym, w ramach których może dojść do narażenia rur zawierających lub zawierających łatwopalny czynnik chłodniczy, nie może używać źródeł zapłonu w sposób mogący powodować ryzyko pożaru lub wybuchu. Wszystkie potencjalne źródła zapłonu, łącznie z paleniem papierosów, muszą znajdować się w odpowiedniej odległości od miejsca

instalacji, naprawy, demontażu lub utylizacji, ponieważ może to spowodować uwolnienie łatwopalnego czynnika chłodniczego do otaczającej przestrzeni. Przed rozpoczęciem pracy należy sprawdzić obszar wokół sprzętu, aby upewnić się, że nie występują tam żadne zagrożenia związane z łatwopalnością lub zapłonem.

- Obszar wentylowany: Przed otwarciem systemu lub wykonywaniem jakichkolwiek prac wymagających wysokiej temperatury należy upewnić się, że obszar znajduje się na zewnątrz lub jest odpowiednio wentylowany. W czasie wykonywania prac należy zapewnić odpowiednią wentylację. Wentylacja musi bezpiecznie rozprowadzać wszelki uwolniony czynnik chłodniczy i najlepiej odprowadzać go na zewnątrz, do atmosfery.
- Kontrole urządzeń chłodniczych: Podczas wymiany podzespołów elektrycznych należy upewnić się, że są one odpowiednie do zamierzonego celu i spełniają odpowiednie specyfikacje. Wytyczne producenta dotyczące konserwacji i serwisu będą zawsze przestrzegane. W razie wątpliwości należy skonsultować się z działem technicznym producenta.
- W przypadku instalacji, w których stosuje się łatwopalne czynniki chłodnicze, należy przeprowadzić następujące kontrole:
 - Wielkość ładunku zależy od wielkości pomieszczenia, w którym zamontowane są części zawierające czynnik chłodniczy.
 - Urządzenia wentylacyjne i otwory wentylacyjne działają prawidłowo i nie są zablokowane.
 - Jeżeli stosowany jest pośredni obieg chłodzenia, należy sprawdzić obecność czynnika chłodniczego w obiegu wtórnym.
 - Oznaczenia sprzętu pozostają widoczne i czytelne. Nieczytelne oznaczenia i znaki muszą zostać poprawione.
 - Rury lub elementy chłodnicze montuje się w miejscu, w którym jest mało prawdopodobne, aby były narażone na działanie substancji mogących powodować korozję elementów zawierających czynnik chłodniczy, chyba że elementy te są wykonane z materiałów, które są samoistnie odporne na korozję lub są odpowiednio zabezpieczone przed taką korozją.
- Sprawdzanie urządzeń elektrycznych: Naprawa i konserwacja podzespołów elektrycznych obejmować będzie wstępne kontrole bezpieczeństwa oraz procedury kontroli podzespołów. W przypadku wystąpienia usterki mogącej zagrozić bezpieczeństwu, do obwodu nie zostanie podłączone żadne źródło zasilania, dopóki usterka nie zostanie w zadowalający sposób usunięta. Jeżeli usterki nie można usunąć natychmiast, a konieczna jest dalsza praca urządzenia, należy zastosować odpowiednie rozwiązanie tymczasowe. Właściciel sprzętu zostanie poinformowany, aby wszystkie strony zostały poinformowane.
- Wstępne kontrole bezpieczeństwa będą obejmować:
 - Rozładuj kondensatory: Należy to zrobić w sposób bezpieczny, aby uniknąć ryzyka powstania iskier.
 - Podczas ładowania, odzyskiwania energii lub oczyszczania systemu nie należy wystawiać na działanie czynników elektrycznych ani przewodów znajdujących się pod napięciem.
 - Zapewnij ciągłość uziemienia.

LISTA CZĘŚCI



- | | | |
|---|---------------------|--------------------------|
| 1. Panel sterowania i wyświetlacz cyfrowy | 4. Koła | 7. Filtr powietrza |
| 2. Ekran świetlny | 5. Zbiornik na wodę | 8. Wskaźnik poziomu wody |
| 3. Panel przedni | 6. Wylot powietrza | 9. Kabel zasilający |

BEZPIECZNE OBCHODZENIE SIĘ Z URZĄDZENIEM

- Po rozpakowaniu sprawdź, czy urządzenie nie ma uszkodzeń lub zarysowań.
- Nie stosować na zewnątrz. Ten osuszacz powietrza jest przeznaczony wyłącznie do użytku domowego.
- Jeżeli kąt nachylenia przekracza 45° , przed użyciem należy pozostawić urządzenie w pozycji pionowej na co najmniej 24 godziny.
- Aby zaoszczędzić więcej energii, trzymaj drzwi i okna w pomieszczeniu zamknięte.
- Nie używaj i nie przechowuj urządzenia w miejscu narażonym na bezpośrednie działanie promieni słonecznych lub deszczu.
- Zupełnie normalne jest, że wylot powietrza jest ciepły w dotyku po ciągłej pracy urządzenia w upalne dni.
- Przed przeniesieniem urządzenia należy opróżnić zbiornik na wodę.
- Sprawdź, czy zbiornik na wodę jest prawidłowo umieszczony, w przeciwnym razie urządzenie nie będzie działać.
- Osuszacz powietrza uruchamia się w trybie wybranym podczas ostatniego użycia urządzenia.
- Osuszacz powietrza rozpoczyna osuszanie, jeśli wilgotność w pomieszczeniu jest o 3% wyższa od wybranej wilgotności.
- Kompresor ma 3-minutowe opóźnienie zabezpieczające. Odczekaj 3 minuty, aż osuszacz wznowi osuszanie.
- Nie należy używać urządzenia w pobliżu ścian, zasłon lub innych obiektów, które mogą blokować wlot lub wylot powietrza. Utrzymuj wlot i wylot powietrza w stanie wolnym.
- Przed rozpoczęciem jazdy należy ustawić deflektor wiatru w pozycji górnej.

Temperatura pracy:

- Używaj tego urządzenia w temperaturze pokojowej od 5°C do 35°C .
- Gdy temperatura otoczenia będzie niższa lub wyższa od temperatury roboczej, osuszacz powietrza zatrzyma się.
- Gdy temperatura otoczenia wynosi od 5°C do 16°C , sprężarka będzie automatycznie rozmrażać się w określonych odstępach czasu. Podczas odszraniania sprężarka zatrzyma się, a wentylator będzie nadal pracował.

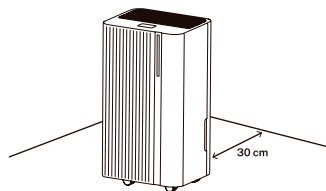
OBIEKT

• Urządzenie należy ustawić na twardej, równej powierzchni, pozostawiając wokół niego co najmniej 30 cm wolnej przestrzeni, aby umożliwić odpowiednią cyrkulację powietrza.

• Nigdy nie instaluj urządzenia w miejscu, w którym może być narażone na działanie źródeł ciepła, takich jak grzejniki, kratki nawiewu ciepła, piece i inne produkty wytwarzające ciepło, w miejscach narażonych na zachlapanie olejem lub wodą, bezpośrednie działanie promieni słonecznych, wibracje lub wstrząsy mechaniczne, nadmierne zapylenie, brak wentylacji, np. w szafie lub regale, na nierównych powierzchniach itp.

• Jednostkę należy montować w pomieszczeniach o powierzchni większej niż 4 m².

• Nie należy instalować urządzenia w miejscu, w którym istnieje ryzyko wycieku łatwopalnego gazu.



PANEL STEROWANIA



LOCK



FAN



TIMER



SET



MODE



POWER

⏻ Przycisk zasilania

- Naciśnij przycisk zasilania, aby włączyć urządzenie, zaświeci się kontrolka, domyślna prędkość wentylatora będzie wysoka, a domyślne ustawienie wilgotności będzie wynosić 50%.
- Gdy urządzenie pracuje, naciśnij przycisk zasilania, aby je wyłączyć. Kontrolka pracy zgaśnie, a kompresor natychmiast się zatrzyma. Po 30 sekundach od wyłączenia wentylator wyłączy się.

Ⓜ Przycisk trybu

- Naciśnij przycisk trybu, aby przełączać się między trybem automatycznym i ciągłym.
- Naciśnij raz, aby przełączać się między trybami, a odpowiedni wskaźnik zaświeci się.
- Aby wybrać tryb nocny, naciśnij i przytrzymaj przycisk trybu.

Tryb automatyczny:

- Gdy ustawiona wilgotność otoczenia będzie wyższa niż 3%, wentylator i sprężarka zaczną pracować zgodnie z ustawieniami.
- Gdy ustawiona wilgotność otoczenia jest niższa niż 3%, sprężarka zatrzyma się, a wentylator po 30 sekundach.
- Prędkość wentylatora i wilgotność można regulować w trybie automatycznym.
- Po dostosowaniu wilgotności wyświetlacz cyfrowy powróci do pokazywania wilgotności otoczenia.

Tryb ciągły:

- W tym trybie urządzenie będzie pracować nieprzerwanie i nie będzie na nie wpływać wilgotność otoczenia.
- Prędkość wentylatora jest regulowana, ale nie można zmienić ustawienia wilgotności.

Tryb nocny:

- Aby uzyskać dostęp do trybu nocnego, naciśnij i przytrzymaj przycisk trybu. W trybie nocnym, jeśli w ciągu 10 sekund nie zostanie wykonana żadna operacja, wskaźnik zasilania i wskaźnik trybu będą stopniowo przyciemniać, a inne wskaźniki i wyświetlacz cyfrowy wyłączą się.
- Naciśnij dowolny przycisk, aby powrócić do normalnego wyświetlania.
- Pozostałe funkcje są takie same jak w trybie automatycznego osuszania.
- W trybie nocnym, jeśli wystąpi błąd, kod nie zostanie wyświetlony.
- W tym trybie można regulować prędkość wiatru i wilgotność.
- Gdy zbiornik na wodę jest pełny, urządzenie nie uruchomi alarmu, ale zaświeci się kontrolka pełnego zbiornika, aby przypomnieć, że zbiornik jest pełny i należy go opróżnić.

Przycisk Ustawienia

- Naciśnij ten przycisk ustawień, aby dostosować wilgotność (30-80%) lub czas (1-24 godz.).
- Aby dostosować wilgotność, naciśnij przycisk regulacji jeden raz.
- Regulacja wilgotności przebiega w następującej kolejności:
30%-35%-40%-45%-50%-55%-60%-65%-70%-75%-80%-30%.
- Aby dostosować czas, naciśnij raz, aby dodać wartość 1 godziny.
- Kolejność chronologiczna jest następująca:
00-01-02-03-04-05-06-07-08-09-10-11-12-13-14-15-16-17-18-19-20-21-22-23-24-00.

Przycisk timera

- Naciśnij przycisk timera, aby ustawić, sprawdzić lub anulować czas.
- W stanie bez pomiaru czasu: Naciśnij przycisk pomiaru czasu, aby przejść do trybu ustawiania czasu. Wyświetlacz cyfrowy zacznie migać, pokazując czas pomiaru. Podczas gdy wyświetlacz cyfrowy miga, naciśnij przycisk ustawień, aby ustawić czas pomiaru czasu (0~24h).
- W stanie pomiaru czasu: Naciśnij przycisk pomiaru czasu, wyświetlacz cyfrowy zacznie migać, pokazując pozostały czas pomiaru. Aby anulować odliczanie czasu, naciśnij ponownie przycisk pomiaru czasu, gdy wyświetlacz cyfrowy miga.
- Naciśnij i przytrzymaj ten przycisk, aby rozpocząć konfigurację sieci lub rozłączyć połączenie WIFI.

Przycisk koła zębatego

- Naciśnij przycisk raz, aby przełączać się między niską i wysoką prędkością. Zapala się odpowiedni wskaźnik zależnie od wybranej prędkości.

Przycisk blokady bezpieczeństwa

- Aby włączyć lub wyłączyć funkcję blokady bezpieczeństwa, naciśnij i przytrzymaj przycisk blokady.

ZAWIADOMIENIA

Wskaźnik pełnego zbiornika:

- Gdy zbiornik będzie pełny przez 5 sekund, włączy się alarm ostrzegawczy.
- Zaświeci się kontrolka zbiornika na wodę, na wyświetlaczu pojawi się komunikat „FL”, a urządzenie wyemituje 5 sygnałów dźwiękowych.
- Sygnał będzie wykrywany przez 5 sekund po spuszczeniu wody, gdy zbiornik na wodę zostanie ponownie włożony, zgodnie ze stanem ustawień, zanim woda się napełni. Zastosuj zabezpieczenie sprężarki z 3-minutowym opóźnieniem.

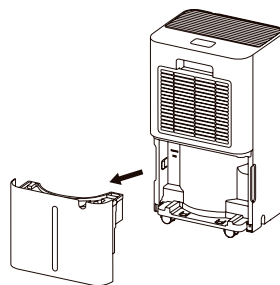
Kontrolki:

- Niebieska lampka kontrolna: Wilgotność powietrza jest równa lub mniejsza niż 45%.
- Zielona lampka kontrolna: Wilgotność powietrza wynosi od 45 do 65%.
- Czerwona lampka kontrolna: Wilgotność powietrza jest równa lub większa niż 65%.

DRENAŻ

Opróżnianie zbiornika na wodę.

- Gdy zbiornik się napełni, urządzenie zacznie brzęczeć, zaświeci się ikona pełnego zbiornika, a na ekranie pojawi się komunikat „FL”.
- Wyciągnij zbiornik na wodę i po prostu wysuń go z obudowy osuszacza.
- Wylej wodę do odpływu lub na zewnątrz.
- Wyczyść zbiornik zarówno wewnątrz, jak i na zewnątrz.
- Wymień pusty zbiornik w urządzeniu.
- Jeśli kontrolka pełnego zbiornika na wodę nie zgaśnie, sprawdź, czy zbiornik na wodę jest prawidłowo umieszczony.

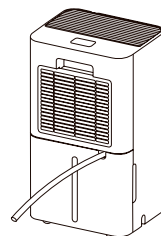


Ostrożność!

- Nie wyrzucaj magnesów i plastikowych nitów znajdujących się w zbiorniku na wodę. W przeciwnym wypadku urządzenie nie zatrzyma się automatycznie po napełnieniu zbiornika na wodę, a skroplona woda wyleje się i uszkodzi podłogę w pomieszczeniu.
- Przed ponownym uruchomieniem urządzenia należy dokładnie oczyścić zbiornik na wodę ze skroplonej wody.
- Jeśli zbiornik na wodę jest brudny, wypłucz go czystą wodą. Unikaj stosowania detergentów, kulek stalowych, chemicznych środków do usuwania kurzu, oleju napędowego, benzenu, rozcieńczalników i innych rozpuszczalników. W przeciwnym razie zbiornik na wodę ulegnie uszkodzeniu i zacznie przeciekać.
- Wymień pusty zbiornik w urządzeniu. W przeciwnym wypadku wskaźnik pełnego zbiornika wody może pozostać czerwony i urządzenie nie będzie mogło ponownie działać.

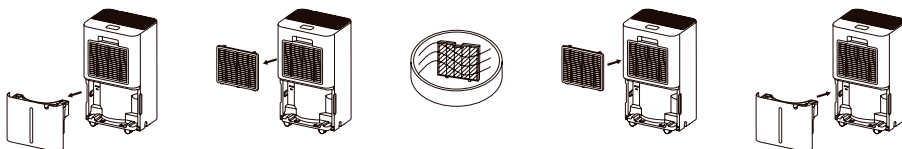
Ciągły drenaż.

- Nie blokuj odpływu ani rury spustowej, gdyż spowoduje to przedostanie się skroplonej wody do zbiornika na wodę.
- Nie zginaj rury spustowej. Wysokość rury spustowej musi być niższa od wysokości wylotu.
- Rura spustowa musi być prawidłowo podłączona do wylotu.



CZYSZCZENIE I KONSERWACJA

- Przed przystąpieniem do czyszczenia i konserwacji urządzenia należy je wyłączyć i odłączyć od zasilania, aby uniknąć porażenia prądem.
- Kurz gromadzi się na filtrze i ogranicza przepływ powietrza. Ograniczony przepływ powietrza zmniejsza wydajność systemu i jeżeli zostanie zablokowany, może spowodować uszkodzenie urządzenia.
- Filtr powietrza wymaga okresowego czyszczenia. Filtr powietrza jest wyjmowany, co ułatwia czyszczenie. Nie wolno używać urządzenia bez filtra powietrza, gdyż może dojść do zanieczyszczenia parownika.
- Zaleca się czyszczenie filtra powietrza co dwa tygodnie.



1. Wyjmij zbiornik na wodę z urządzenia, a następnie wyjmij filtr z dolnej części tylnej obudowy.
2. Za pomocą odkurzacza delikatnie usuń kurz z powierzchni.
3. Jeśli filtr jest bardzo brudny, umyj go wodą z dodatkiem łagodnego detergentu, a następnie dokładnie osusz.
4. Następnie wymień filtr.

POŁĄCZENIE WI-FI



- Aplikacja CREATE HOME jest dostępna zarówno na systemy Android, jak i iOS (wyszukaj aplikację w Google Play lub App Store albo zeskanuj kod QR). W zależności od dostawcy pobranie aplikacji może wiązać się z opłatami.
- Za pomocą aplikacji możesz sterować urządzeniem poprzez sieć domową. Warunkiem koniecznym jest stałe połączenie routera z siecią Wi-Fi i bezpłatna aplikacja CREATE HOME.

- Zalecamy odłączenie urządzenia od zasilania, gdy jesteś poza domem, aby zapobiec jego przypadkowemu włączeniu.

Pobierz aplikację i skonfiguruj Wi-Fi

1. Zeskanuj kod QR, aby pobrać i zainstalować aplikację na swoim urządzeniu.
2. Otwórz aplikację i zaloguj się, jeśli masz konto. Jeśli nie posiadasz konta, wybierz opcję „Nowy użytkownik”, aby się zarejestrować i zalogować.
3. Upewnij się, że masz połączenie z siecią Wi-Fi. Niektóre routery oferują dwie domyślne sieci: 5G i 2.4G. Jeśli tak, połącz się przez sieć 2.4G, gdyż sieci 5G nie są obsługiwane.
4. Włącz urządzenie i w aplikacji kliknij przycisk „Dodaj urządzenie” i wybierz odpowiednią rodzinę osuszaczy. Umieść urządzenie w odległości maksymalnie 5 metrów od routera.
5. Naciśnij i przytrzymaj przycisk „Timer”, aby rozpocząć konfigurację sieci. Gdy wskaźnik WIFI znacznie migać, możesz połączyć się z siecią WIFI. Po 3 minutach, jeśli nie ma konfiguracji sieciowej, status zostanie anulowany, a kontrolka zgaśnie. Jeśli chcesz ponownie połączyć się z siecią Wi-Fi, naciśnij i przytrzymaj przycisk „Timer”, aby ponownie uruchomić konfigurację sieci. Wskaźnik Wi-Fi zacznie ponownie migać.
6. W aplikacji naciśnij „Dalej”. Poczekaj, aż robot odkurzający zakończy parowanie. Kliknij „Zakończ” i zacznij korzystać z osuszacza powietrza.

ROZWIĄZYWANIE PROBLEMÓW

- Przed skontaktowaniem się z profesjonalnym centrum serwisowym należy zapoznać się z listą kontrolną rozwiązywania typowych problemów, które nie są spowodowane wadą produkcyjną lub materiałową.

PROBLEM	PRZYCZYNA	ROZWIĄZANIE
Urządzenie nie działa.	<ul style="list-style-type: none"> • Nie ma prądu. 	<ul style="list-style-type: none"> • Podłącz osuszacz powietrza do sprawnego gniazdka elektrycznego i włącz go.
	<ul style="list-style-type: none"> • Wskaźnik pełnego zbiornika wody miga. 	<ul style="list-style-type: none"> • Opróżnij zbiornik na wodę i zamontuj go ponownie. • Sprawdź, czy zbiornik jest prawidłowo ustawiony. Jeżeli nie, ustaw go poprawnie.
	<ul style="list-style-type: none"> • Temperatura otoczenia jest niższa niż 5°C lub wyższa niż 35°C. 	<ul style="list-style-type: none"> • To urządzenie jest wyposażone w system zabezpieczający, którego zadaniem jest ochrona jednostki. Jeżeli temperatura otoczenia jest niższa niż 5°C lub wyższa niż 35°C, urządzenie nie będzie działać.
Wadliwe działanie urządzenia.	<ul style="list-style-type: none"> • Filtr powietrza jest zatkany. 	<ul style="list-style-type: none"> • Wyczyść filtr powietrza.
	<ul style="list-style-type: none"> • Przewód dolotowy lub wylotowy jest zatkany. 	<ul style="list-style-type: none"> • Usuń przeszkodę z kanału wylotowego i/lub kanału dolotowego.
Urządzenie nie posiada wlotu powietrza.	<ul style="list-style-type: none"> • Filtr powietrza jest zatkany. 	<ul style="list-style-type: none"> • Wyczyść filtr powietrza.
Urządzenie wydaje głośny dźwięk podczas pracy.	<ul style="list-style-type: none"> • Osuszacz powietrza nie został umieszczony w prawidłowym miejscu. 	<ul style="list-style-type: none"> • Osuszacz powietrza należy ustawić na podłodze, w miejscu odpowiednim do jego pracy.
	<ul style="list-style-type: none"> • Filtr jest zatkany. 	<ul style="list-style-type: none"> • Wyczyść filtr powietrza.
Wiadomość FL	<ul style="list-style-type: none"> • Zbiornik na wodę jest pełny. 	<ul style="list-style-type: none"> • Opróżnij zbiornik na wodę.
Wiadomość E1/E2	<ul style="list-style-type: none"> • Wystąpił problem z czujnikiem. 	<ul style="list-style-type: none"> • Wymień czujnik.



Zgodnie z dyrektywami: 2012/19 / UE i 2015/863 / UE w sprawie ograniczenia stosowania niebezpiecznych substancji w sprzęcie elektrycznym i elektronicznym, a także ich usuwania. Symbol z przekreślonym pojemnikiem na śmieci pokazany na opakowaniu oznacza, że produkt pod koniec okresu użytkowania będzie zbierany jako osobny odpad. Dlatego każdy produkt, który osiągnął koniec okresu użytkowania, musi zostać dostarczony do wyspecjalizowanych centrów usuwania odpadów w celu selektywnej zbiórki zużytego sprzętu elektrycznego i elektronicznego lub zwrócony do sprzedawcy przy zakupie podobnego nowego sprzętu, w jednym dla jednej bazy. Właściwa selektywna zbiórka w celu późniejszego uruchomienia sprzętu przeznaczonego do recyklingu, obróbki i utylizacji w sposób przyjazny dla środowiska pomaga zapobiegać potencjalnym negatywnym skutkom dla środowiska i zdrowia oraz optymalizuje recykling i ponowne użycie elementy składające się na urządzenie. Niewłaściwe usunięcie produktu przez użytkownika oznacza nałożenie sankcji administracyjnych zgodnie z prawem.

CREATE



FR

Cet appareil
se recycle

À DÉPOSER
EN MAGASIN



À DÉPOSER
EN DÉCHÈTERIE



OU

Points de collecte sur www.quefairedemesdechets.fr
Privilégiez la réparation ou le don de votre appareil !

RACCOLTA CARTA
Verifica le disposizioni
del tuo Comune.



RoHS

/ Made in P.R.C.